



US00D733131S

(12) **United States Design Patent**
Kim et al.

(10) **Patent No.:** **US D733,131 S**
(45) **Date of Patent:** **** Jun. 30, 2015**

(54) **ELECTRONIC DEVICE**

(71) Applicant: **Samsung Electronics Co., Ltd.**,
Suwon-si (KR)

(72) Inventors: **Hyun Jin Kim**, Seoul (KR); **Ji yeon Kwak**, Seoul (KR); **Joon Kyu Seo**, Seoul (KR)

(73) Assignee: **Samsung Electronics Co., Ltd.**,
Suwon-si (KR)

(**) Term: **14 Years**

(21) Appl. No.: **29/465,051**

(22) Filed: **Aug. 23, 2013**

(30) **Foreign Application Priority Data**

Feb. 23, 2013 (KR) 30-2013-0009579

(51) **LOC (10) Cl.** **14-02**

(52) **U.S. Cl.**
USPC **D14/344**

(58) **Field of Classification Search**
USPC D14/138 A, 138 G, 240, 341, 342, 343,
D14/344, 345, 346, 347, 420, 426, 427,
D14/496; D10/30, 31, 32, 37, 38, 39, 65;
368/281, 282, 294, 295, 296; 455/100;
361/679.03; 379/433.1; D11/3
See application file for complete search history.

(56) **References Cited**

U.S. PATENT DOCUMENTS

D340,701 S * 10/1993 Takeuchi D14/341
D466,487 S * 12/2002 Wada et al. D14/138 R
D470,489 S * 2/2003 Lin D14/375
D525,216 S * 7/2006 Gibby D14/126
D534,509 S * 1/2007 Rashid D14/126

D535,631 S * 1/2007 Millora D14/126
D537,801 S * 3/2007 Qin et al. D14/126
D576,618 S * 9/2008 Wong D14/341
D632,665 S * 2/2011 Kim et al. D14/138 G
D639,258 S * 6/2011 Chien D14/126
D650,382 S * 12/2011 Huang D14/341
D688,584 S * 8/2013 Cobbett et al. D11/3
D697,043 S * 1/2014 Son D14/138 G
D703,069 S * 4/2014 Adams et al. D10/31

* cited by examiner

Primary Examiner — Barbara Fox

Assistant Examiner — Chesea Sealey

(74) *Attorney, Agent, or Firm* — NSIP Law

(57) **CLAIM**

The ornamental design for an electronic device, as shown and described.

DESCRIPTION

FIG. 1 is a front perspective view of an electronic device showing our new design;
FIG. 2 is a front view thereof;
FIG. 3 is a rear view thereof;
FIG. 4 is a left-side view thereof;
FIG. 5 is a right-side view thereof;
FIG. 6 is a top view thereof;
FIG. 7 is a bottom view thereof;
FIG. 8 is a perspective view of the electronic device of FIG. 1 shown in an open position; and,
FIG. 9 is an enlarged view of the encircled portion A in FIG. 2.

The broken lines indicate portions of the electronic device that form no part of the claimed design. The dot-dash broken lines encircling portions of the claimed design that are illustrated in enlargements form no part of the claimed design. The dot-dash lines in the figures represent boundary lines and form no part of the claimed design.

1 Claim, 9 Drawing Sheets

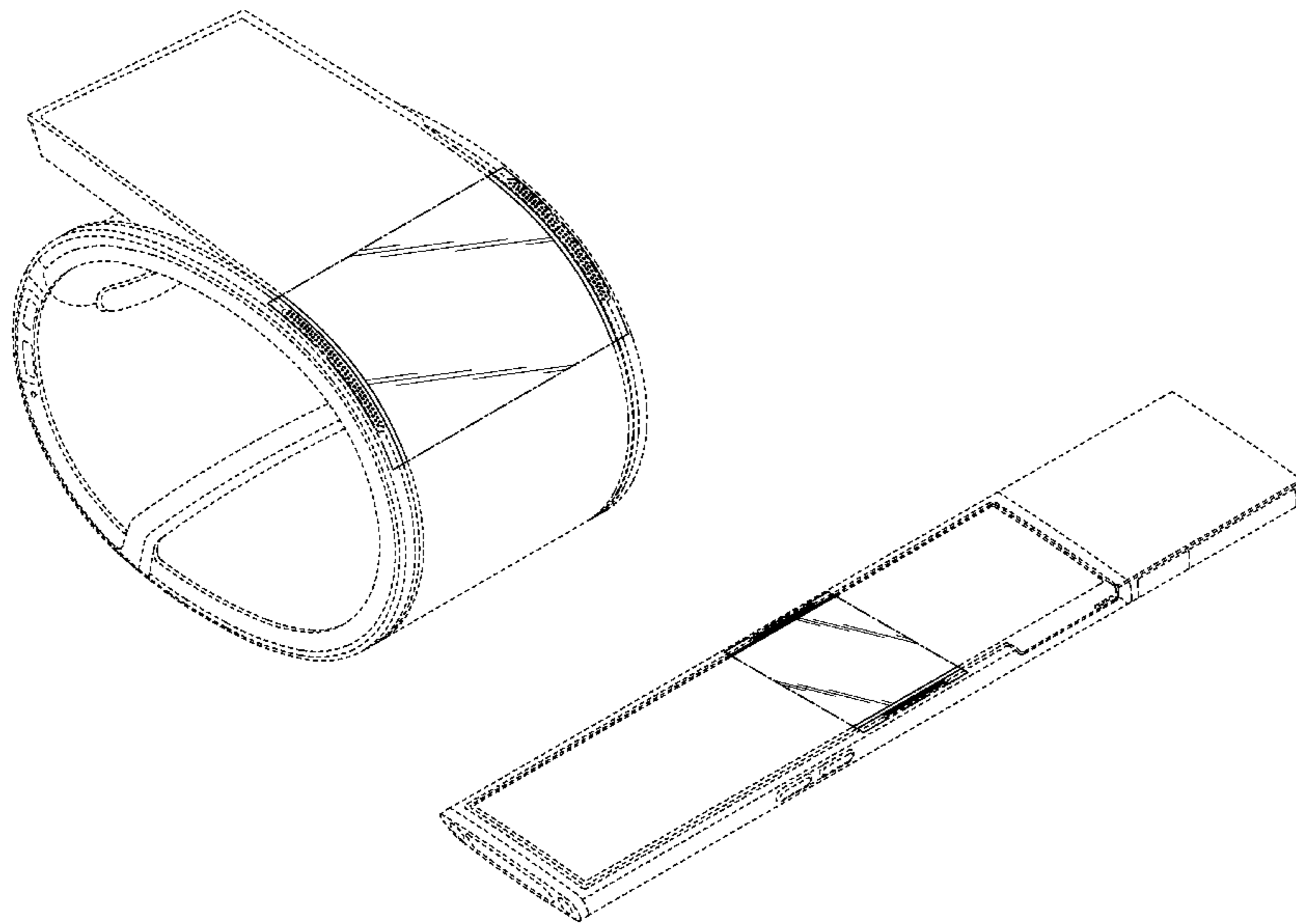


FIG. 1

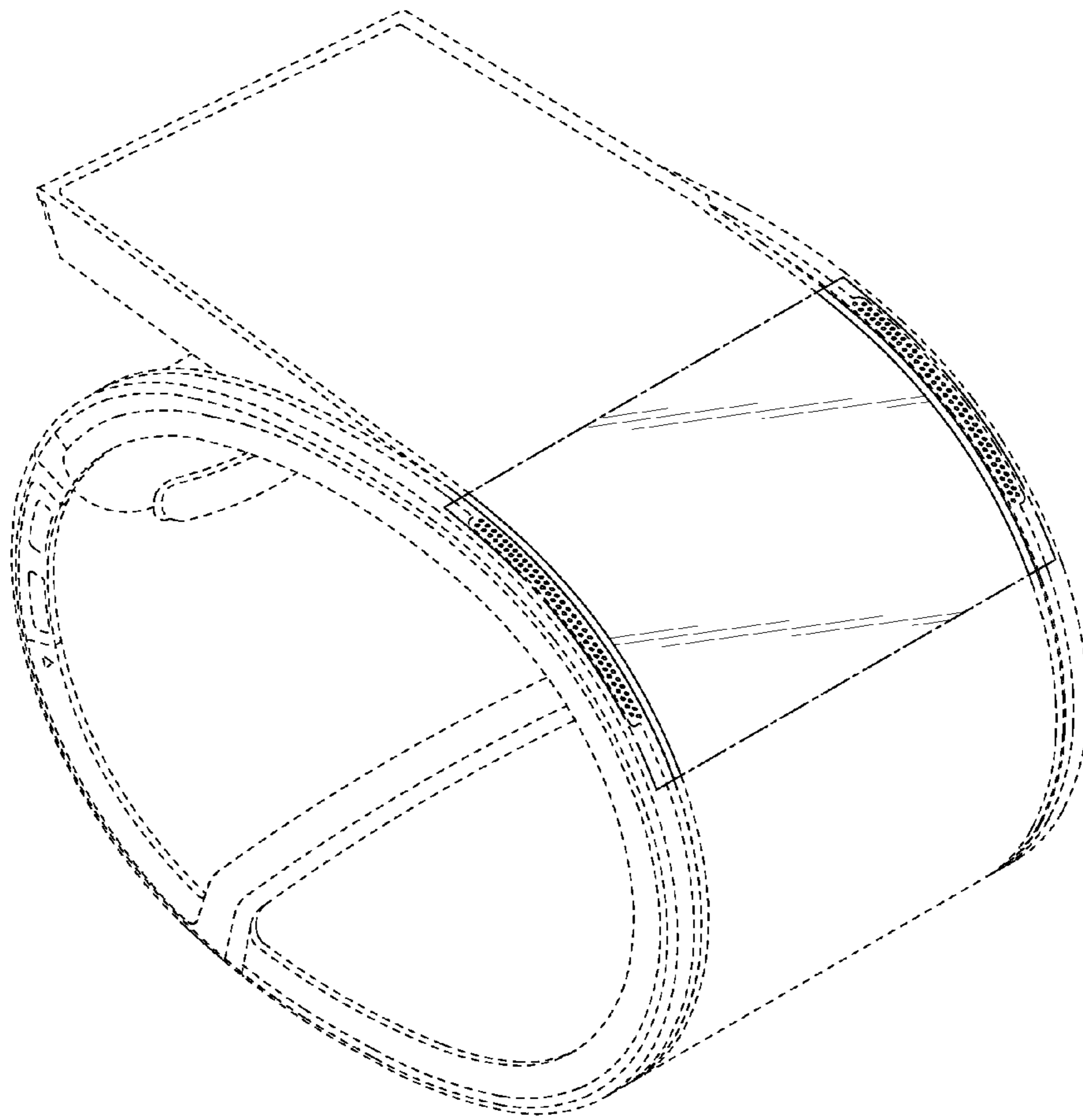


FIG. 2

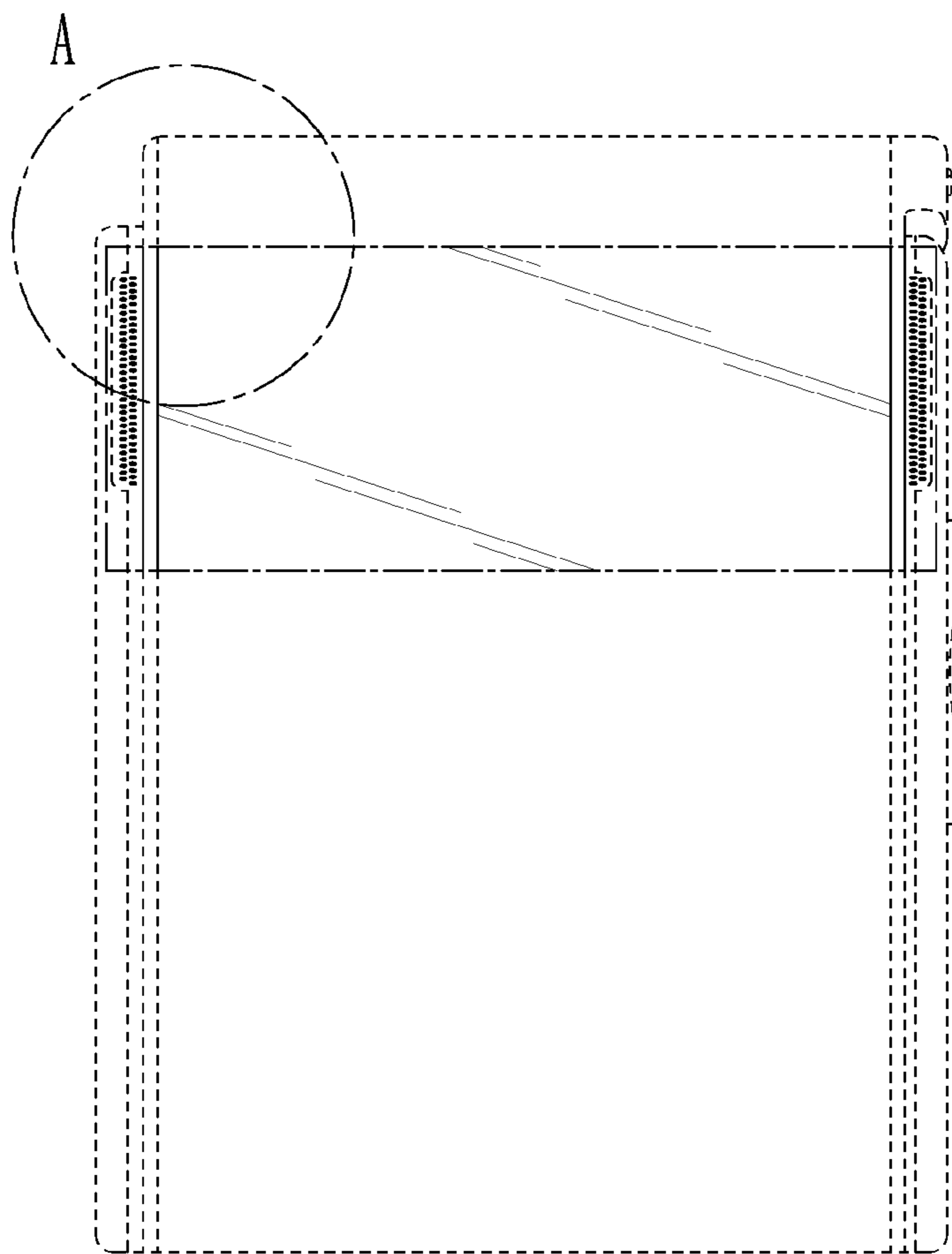


FIG. 3

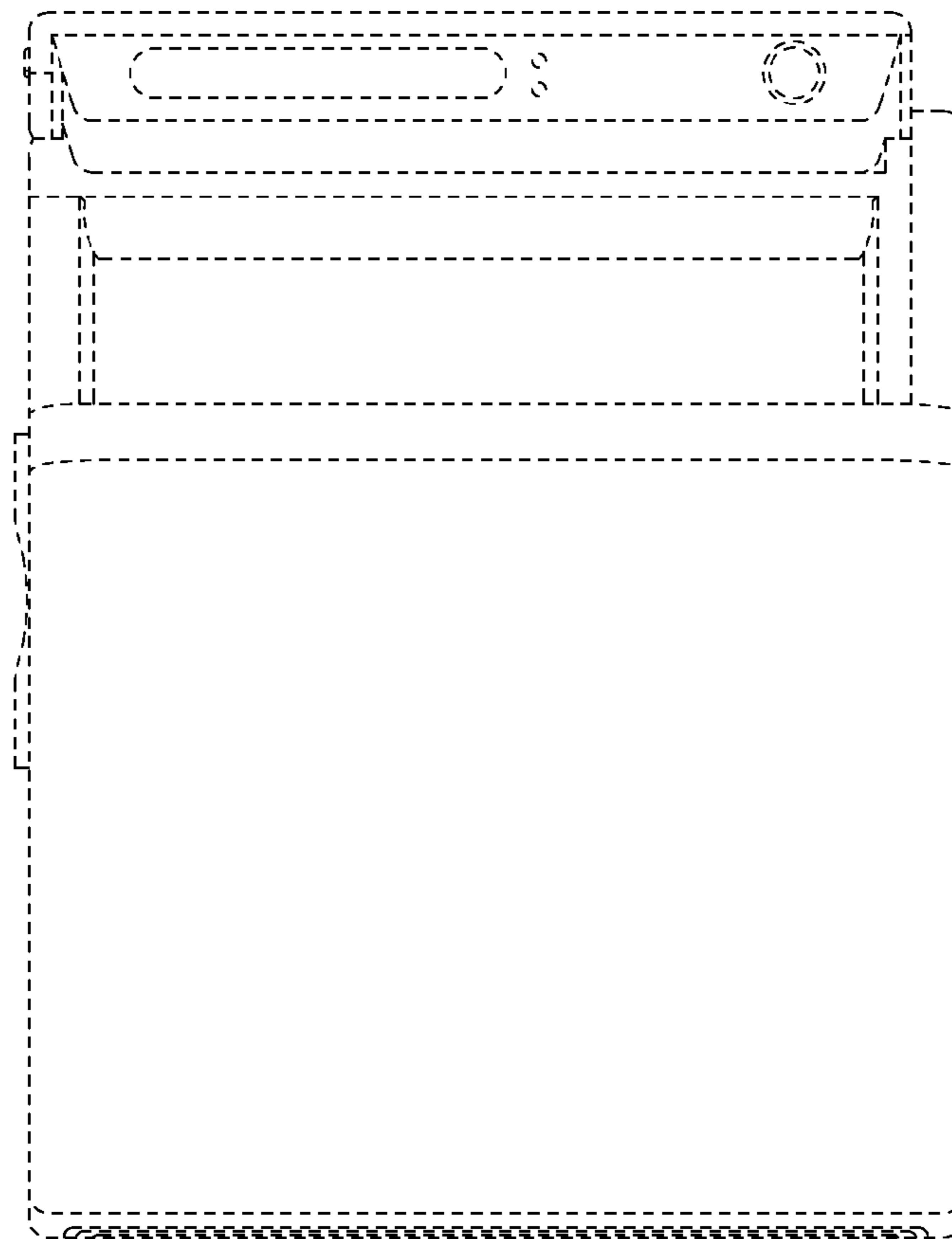


FIG. 4

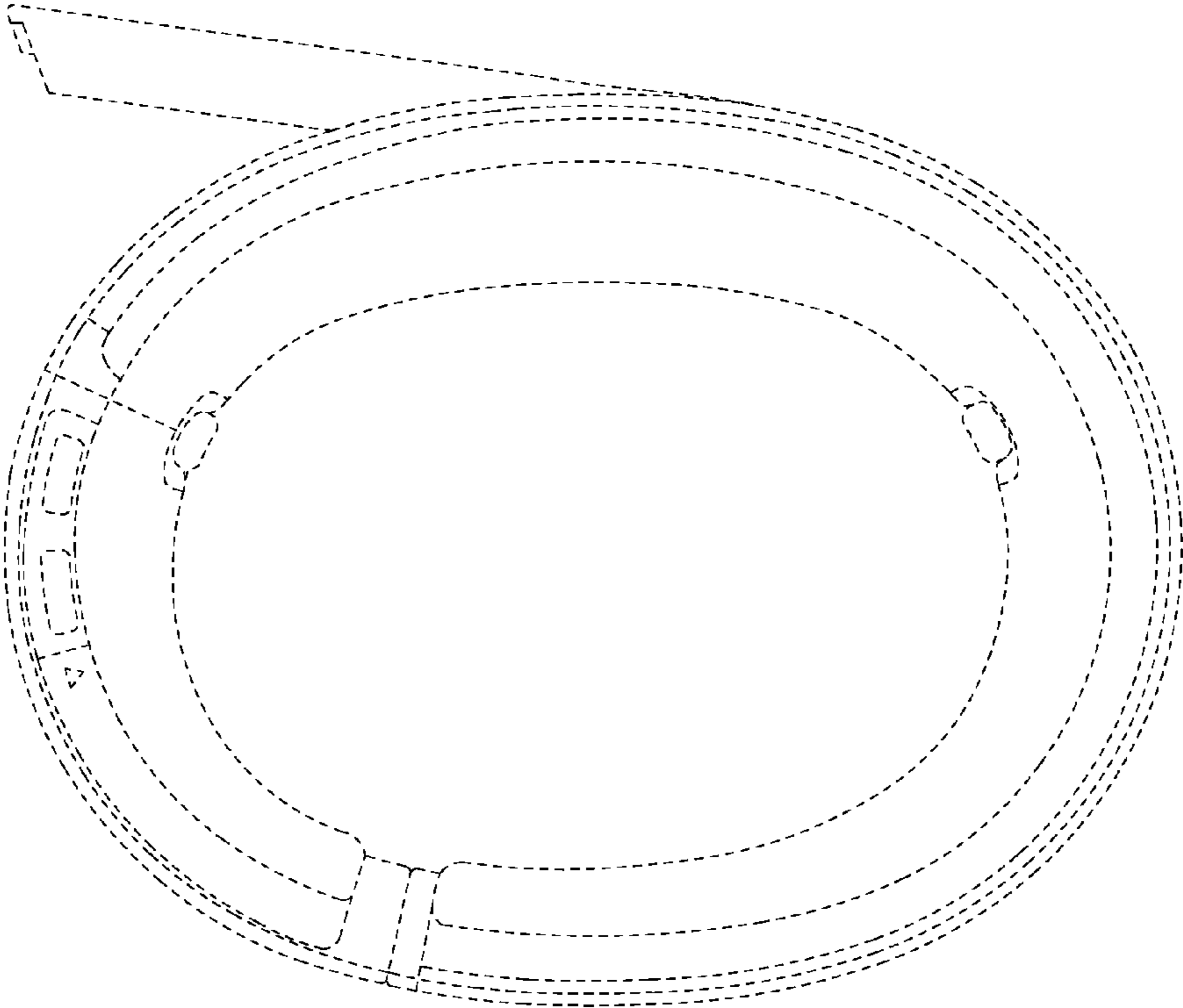


FIG. 5

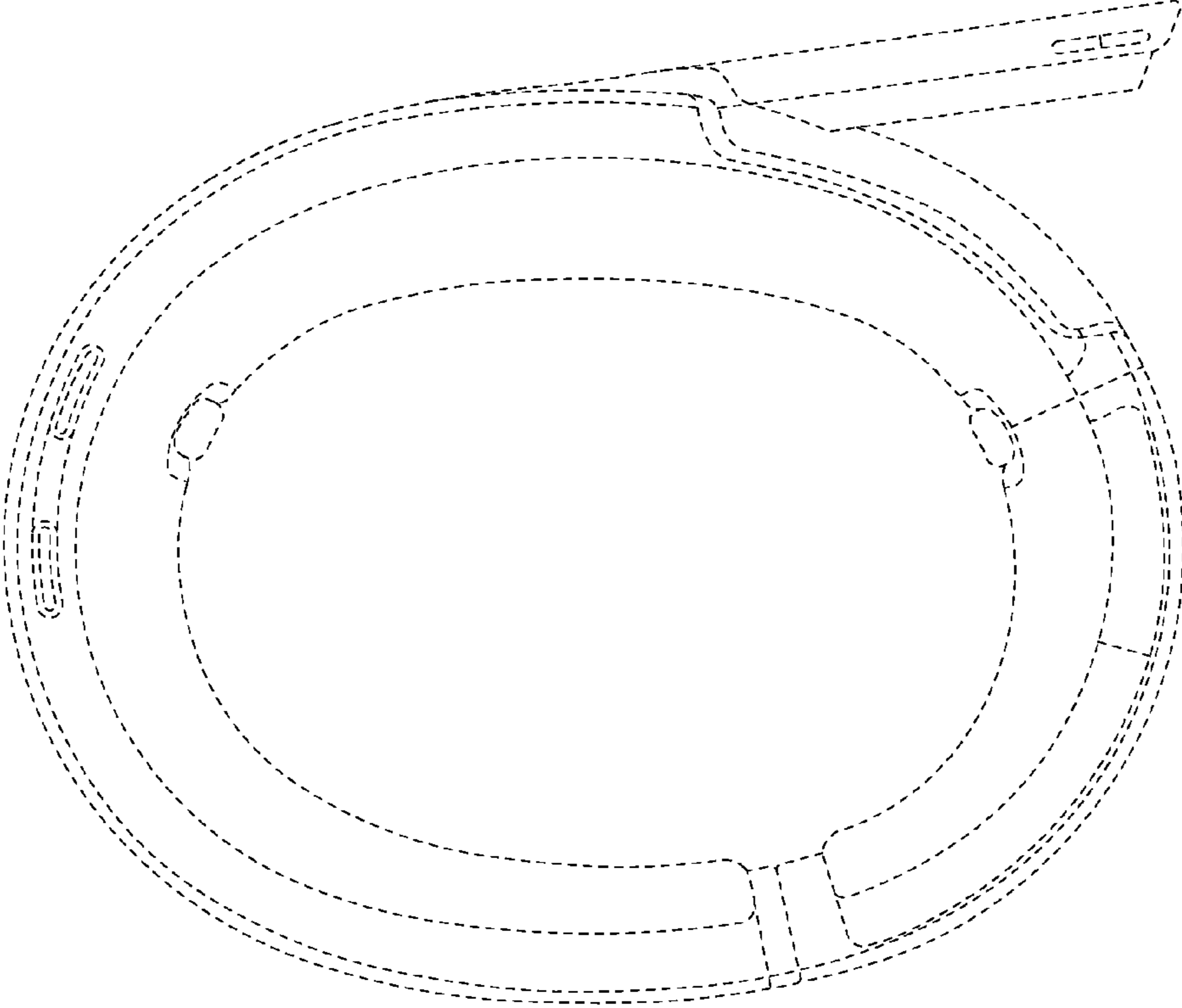


FIG. 6

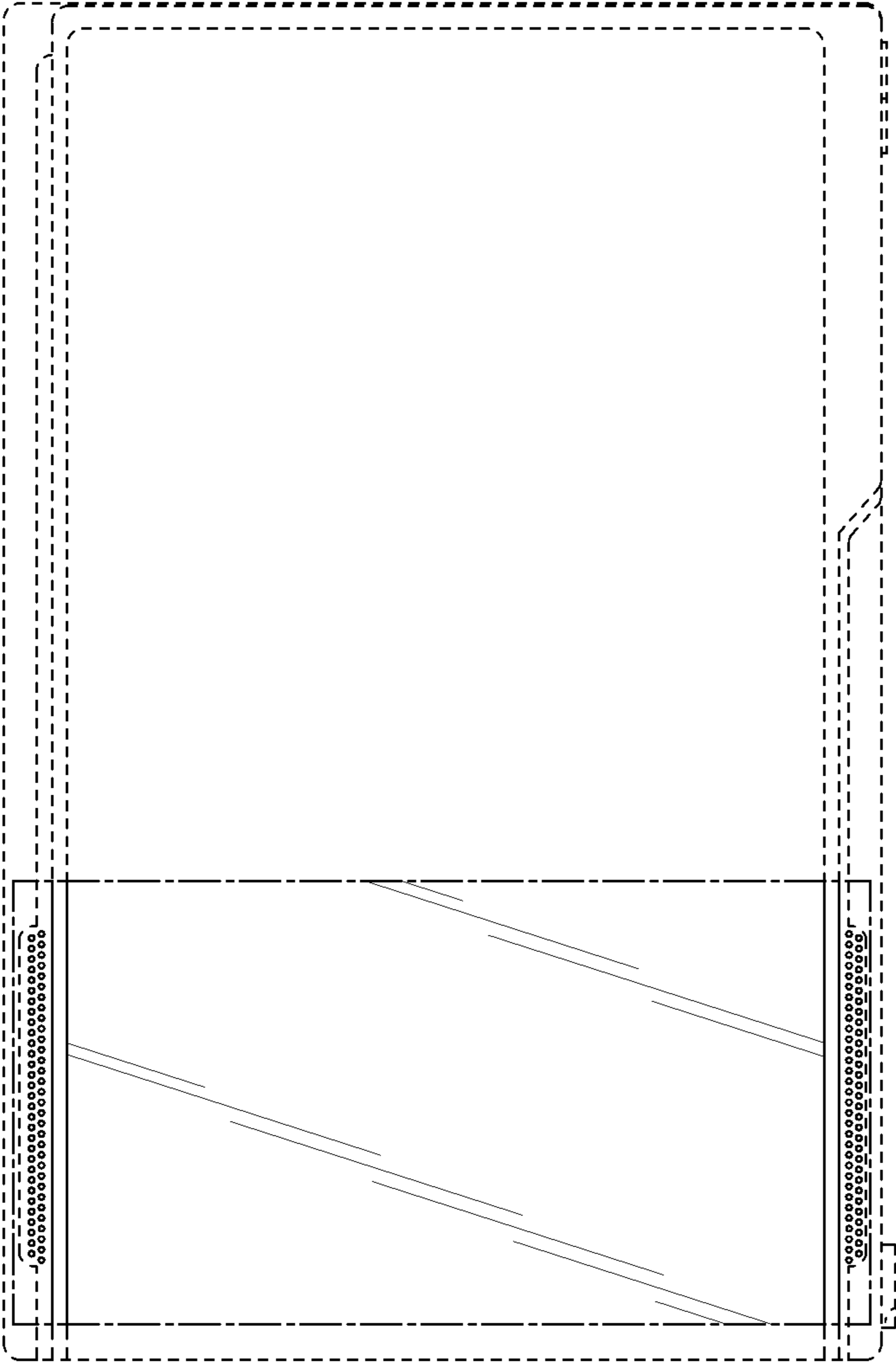


FIG. 7

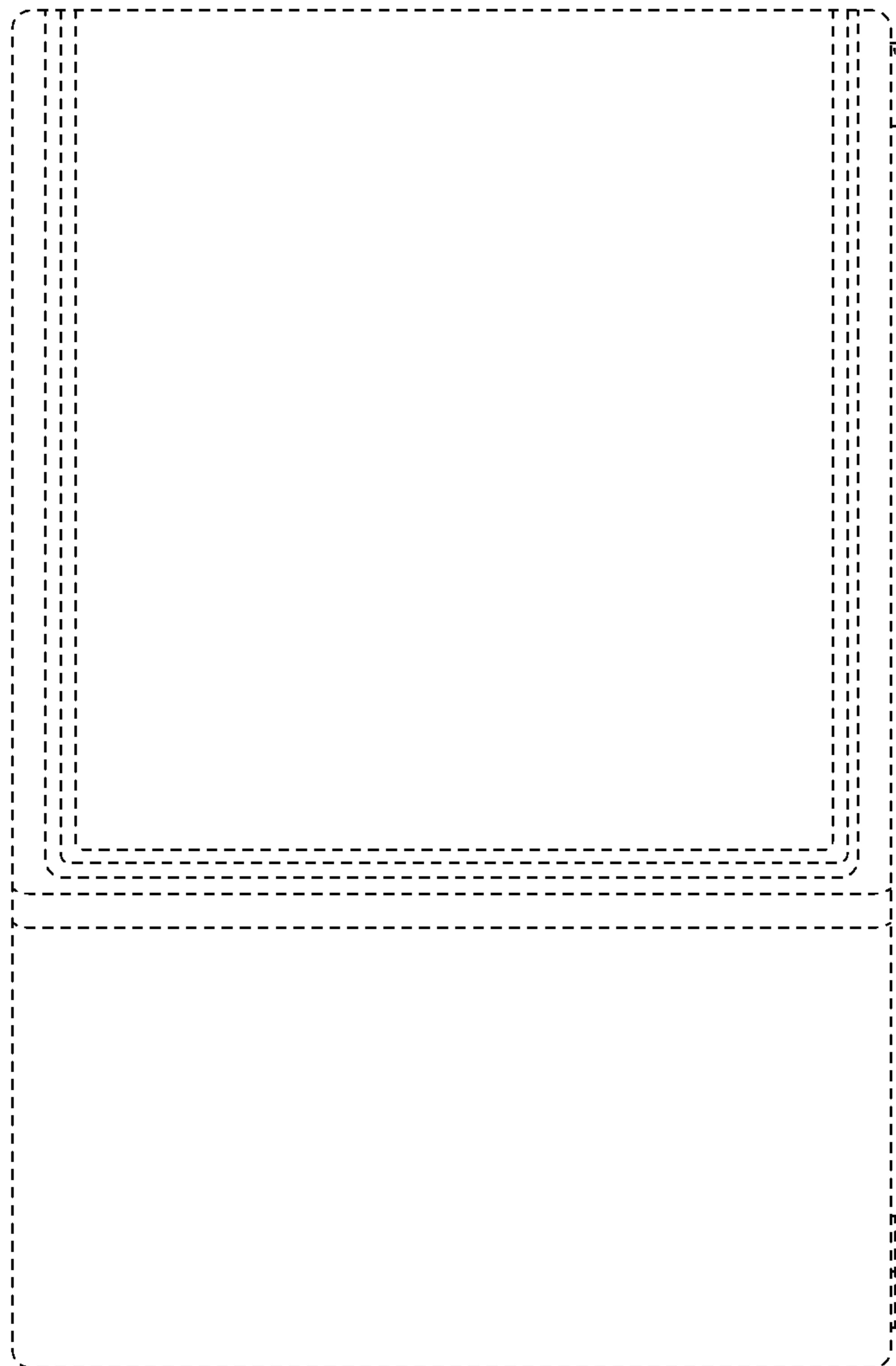


FIG. 8

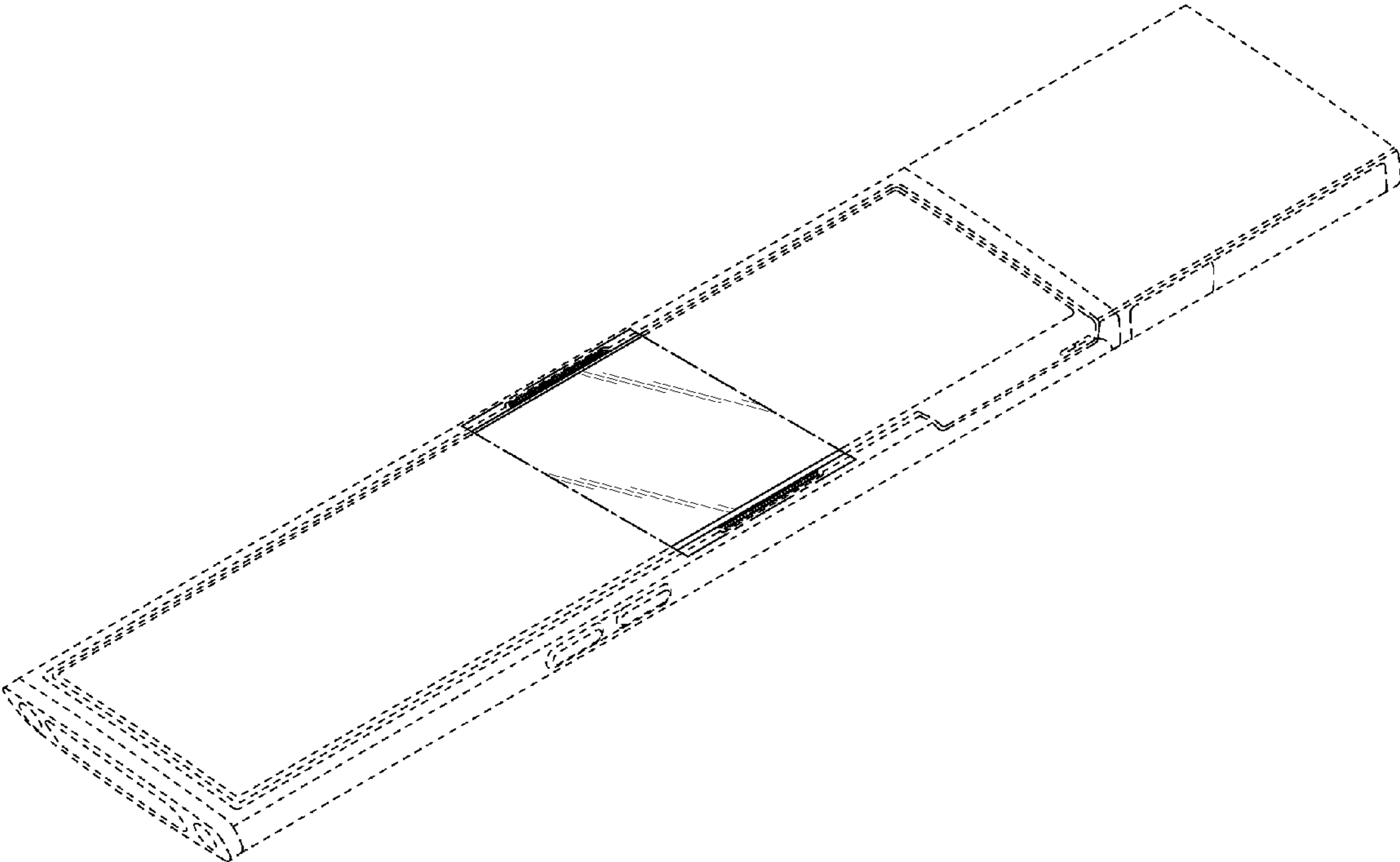


FIG. 9

