



US00D733128S

(12) **United States Design Patent**  
**Seoc**

(10) **Patent No.:** **US D733,128 S**  
(45) **Date of Patent:** **\*\* Jun. 30, 2015**

(54) **ALL-IN-ONE COMPUTER**

(71) Applicant: **SAMSUNG ELECTRONICS CO., LTD.**, Suwon-si, Gyeonggi-do (KR)

(72) Inventor: **Ho-Young Seoc**, Yongin-si (KR)

(73) Assignee: **SAMSUNG ELECTRONICS CO., LTD.** (KR)

(\*\*) Term: **14 Years**

(21) Appl. No.: **29/469,924**

(22) Filed: **Oct. 16, 2013**

(30) **Foreign Application Priority Data**

Apr. 16, 2013 (KR) ..... 30-2013-0019821

(51) **LOC (10) Cl.** ..... **14-02**

(52) **U.S. Cl.**  
USPC ..... **D14/341**

(58) **Field of Classification Search**

USPC ..... D14/341-347, 137, 138 R, 138 AA, D14/138 AB, 138 C, 138 G, 496, 203.1, D14/203.3, 203.4, 203.7, 129, 130, 147, D14/248, 250, 374, 385, 388, 389, 315-318, D14/439, 126, 336, 339, 340; D10/104.1; D21/329; 455/556.1, 556.2, 566, 455/575.1, 90.3; 379/433.04, 433.01, 379/433.06; 345/173, 901, 905; 361/679.26, 679.27, 679.3, 679.55, 361/679.56, 680-686; D6/308, 310; 348/373, 376; 248/917-924  
CPC ..... A63H 33/3016; G06F 1/1613; H04M 1/0202; H04M 1/0279; H04M 1/0281; H04M 1/0283

See application file for complete search history.

(56) **References Cited**

U.S. PATENT DOCUMENTS

6,651,943	B2 *	11/2003	Cho et al. ....	248/122.1
D690,300	S *	9/2013	Akana et al. ....	D14/341
D697,065	S *	1/2014	Kim et al. ....	D14/346
D698,785	S *	2/2014	Canizares et al. ....	D14/341
D699,205	S *	2/2014	Kim et al. ....	D14/126
D699,231	S *	2/2014	Kim et al. ....	D14/239
D706,774	S *	6/2014	Park et al. ....	D14/341
8,888,063	B2 *	11/2014	Mack et al. ....	248/454
D720,746	S *	1/2015	Chung .....	D14/341
8,934,237	B2 *	1/2015	Cheng .....	361/679.55
D723,547	S *	3/2015	Zhou .....	D14/341
2010/0014230	A1 *	1/2010	Horie .....	361/679.01

\* cited by examiner

*Primary Examiner* — Barbara Fox

*Assistant Examiner* — Dana K Weiland

(74) *Attorney, Agent, or Firm* — Cantor Colburn LLP

(57) **CLAIM**

The ornamental design for an all-in-one computer, as shown and described.

**DESCRIPTION**

FIG. 1 is a top front perspective view of an all-in-one computer showing my new design;  
FIG. 2 is a front view thereof;  
FIG. 3 is a rear view thereof;  
FIG. 4 is a side view thereof;  
FIG. 5 is another side view thereof;  
FIG. 6 is a top view thereof;  
FIG. 7 is a bottom view thereof;  
FIG. 8 is a top rear perspective view thereof; and,  
FIG. 9 is another top rear perspective view thereof as shown in another configuration.  
The broken lines represent portions of the all-in-one computer that form no part of the claimed design.

**1 Claim, 6 Drawing Sheets**

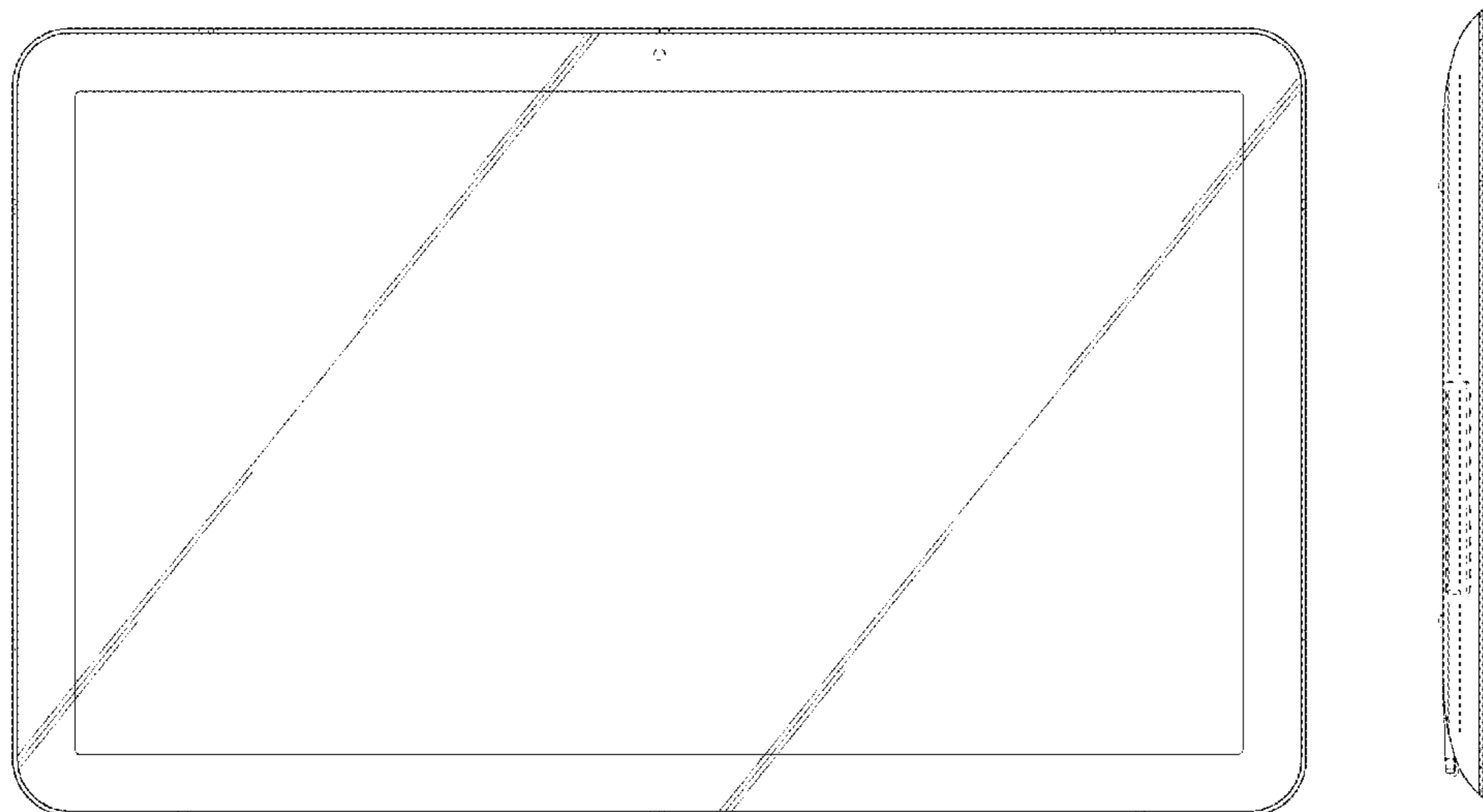


FIG.1

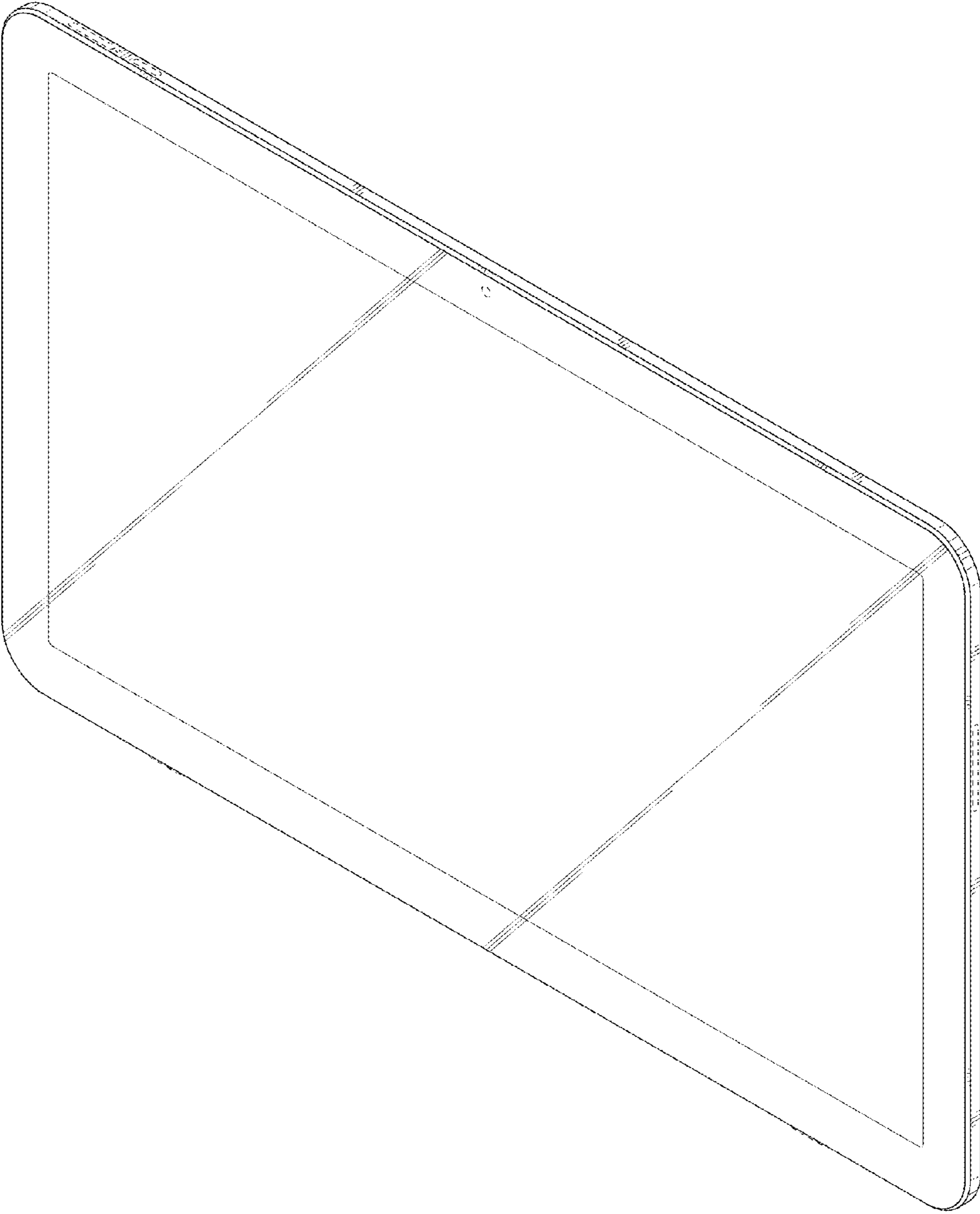


FIG.2

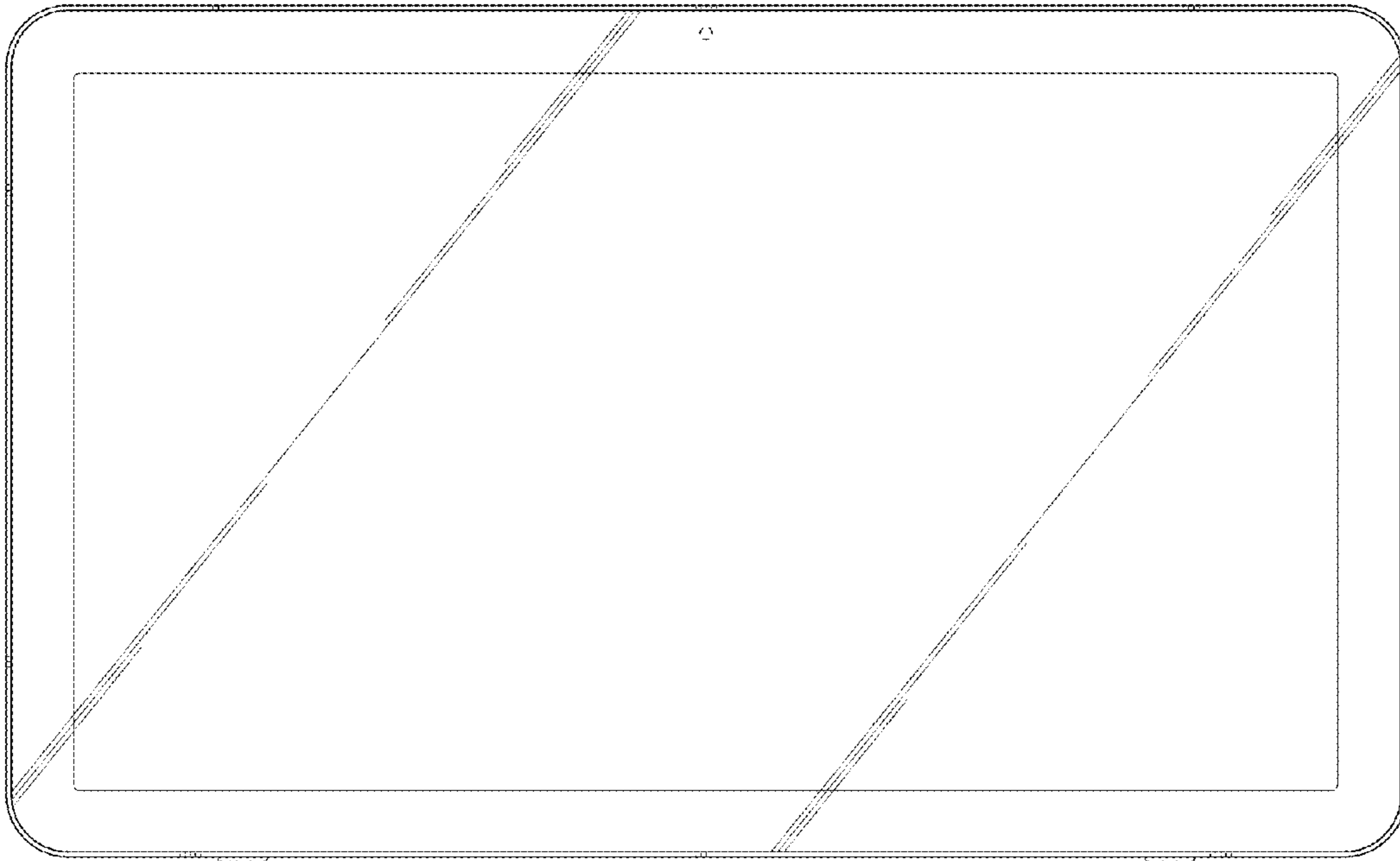


FIG.3

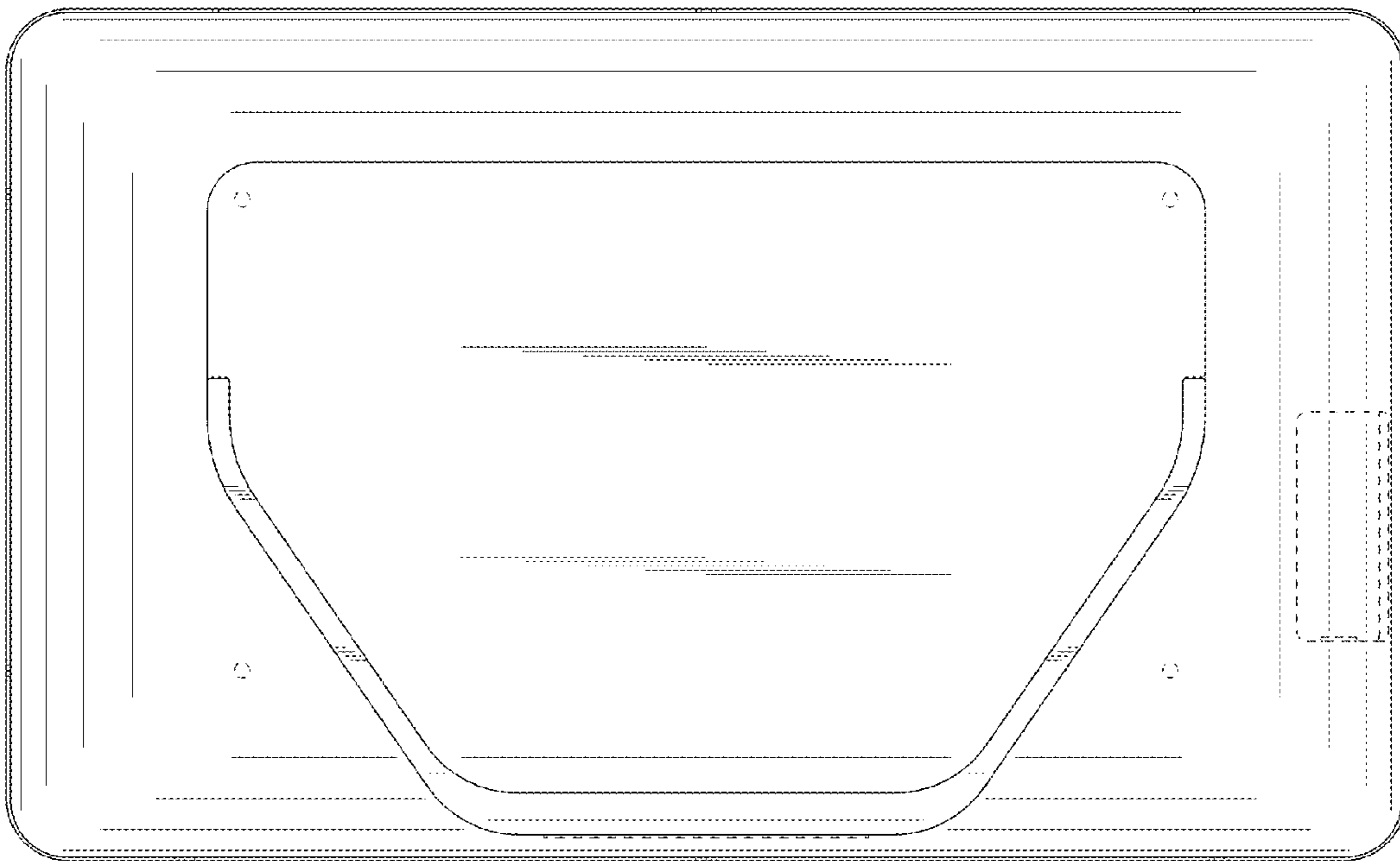


FIG.4

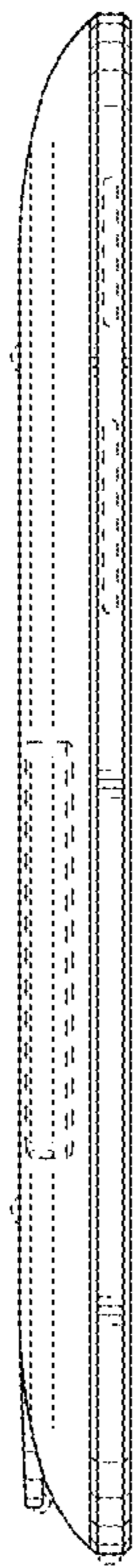


FIG.5

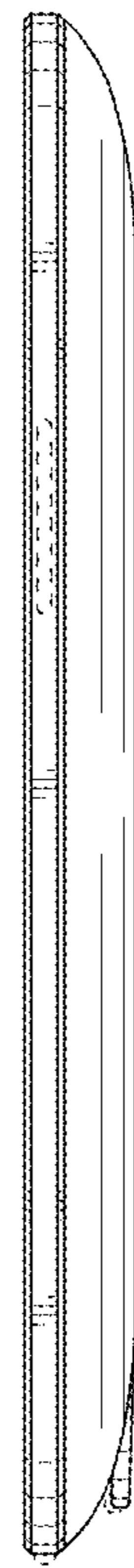


FIG.6



FIG.7

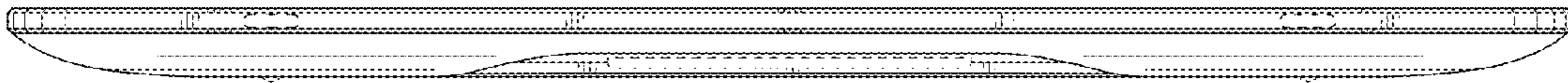


FIG.8

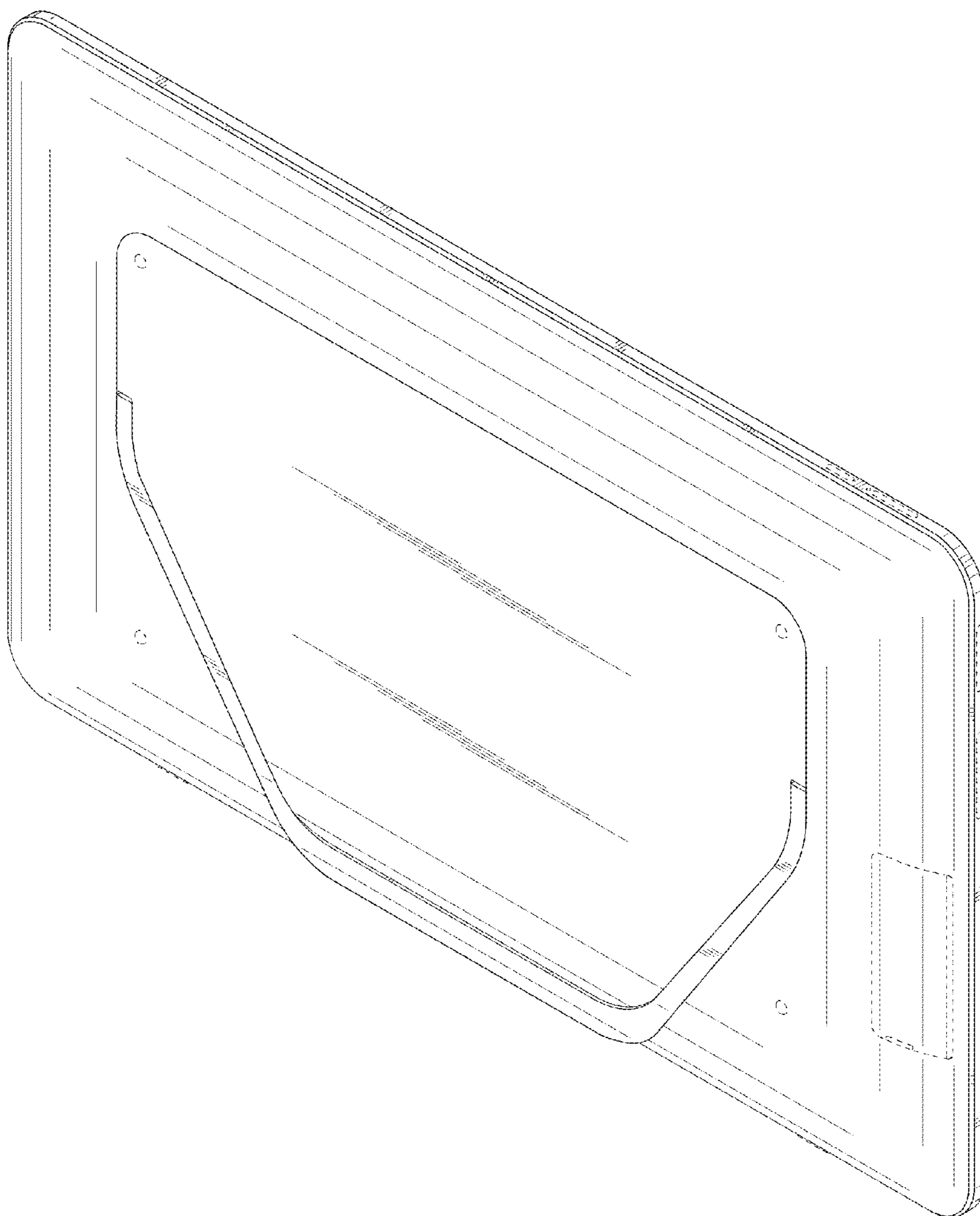


FIG.9

