



US00D733127S

(12) **United States Design Patent**
Sung et al.

(10) **Patent No.:** **US D733,127 S**
(45) **Date of Patent:** **** Jun. 30, 2015**

(54) **TABLET COMPUTER**

(56) **References Cited**

(71) Applicant: **SAMSUNG ELECTRONICS CO., LTD.**, Suwon-si (KR)
(72) Inventors: **Whan Oh Sung**, Seoul (KR); **Jooyeon Lee**, Gunposi (KR); **Kyu Eun Hwang**, Seoul (KR); **Youngkeun Lee**, Seoul (KR); **Jochen Backs**, San Francisco, CA (US)
(73) Assignee: **Samsung Electronics Co., Ltd**, Suwon-Si (KR)

U.S. PATENT DOCUMENTS

D255,745	S	*	7/1980	Pedersen	D6/311
D419,160	S	*	1/2000	Davidson et al.	D14/253
D514,588	S	*	2/2006	Sassano	D14/496
D572,743	S	*	7/2008	Madonna et al.	D14/126
D585,399	S	*	1/2009	Hwang	D14/130
D607,854	S	*	1/2010	Sagawa	D14/126
D633,498	S	*	3/2011	Andre et al.	D14/392
D639,267	S	*	6/2011	DeLorenzo et al.	D14/142
D663,281	S	*	7/2012	Hwang	D14/138 G
D671,514	S	*	11/2012	Kim et al.	D14/138 G
D671,940	S	*	12/2012	Kim	D14/374
D677,660	S	*	3/2013	Groene et al.	D14/341
D678,877	S	*	3/2013	Groene et al.	D14/341
D680,117	S	*	4/2013	Ho	D14/434

(**) Term: **14 Years**

(Continued)

(21) Appl. No.: **29/459,378**

Primary Examiner — Barbara Fox

(22) Filed: **Jun. 28, 2013**

Assistant Examiner — Dana K Weiland

(30) **Foreign Application Priority Data**

(74) *Attorney, Agent, or Firm* — Ladas & Parry LLP

Jan. 3, 2013 (KR) 30-2013-0000371

(51) **LOC (10) Cl.** **14-02**

(57) **CLAIM**

The ornamental design for a tablet computer, as shown and described.

(52) **U.S. Cl.**

DESCRIPTION

USPC **D14/341**

(58) **Field of Classification Search**

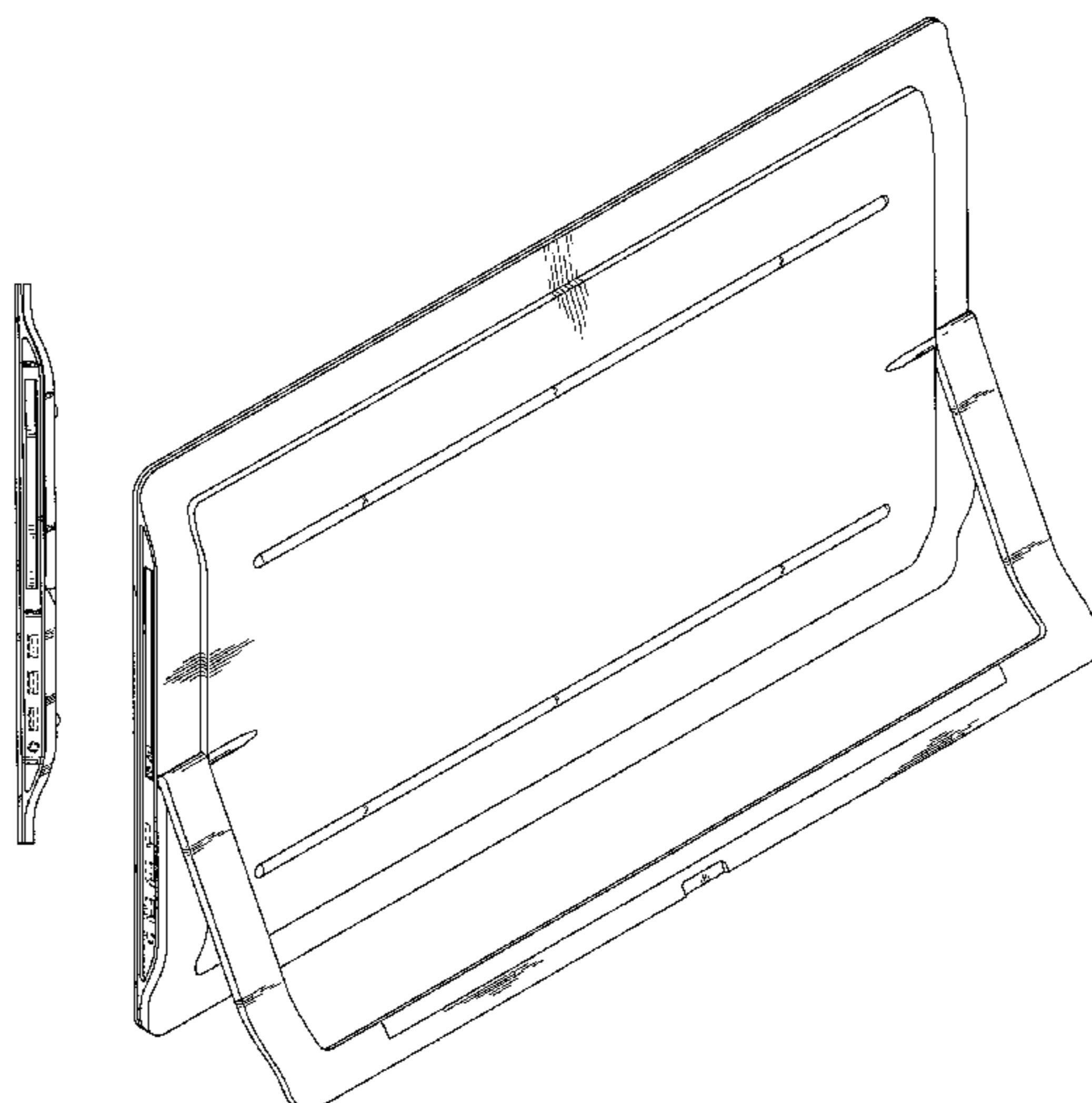
USPC D14/341–347, 137, 138 R, 138 AA, D14/138 C, 138 G, 496, 203.1, 203.3, 203.4, D14/203.7, 129, 130, 147, 248, 250, 374, D14/385, 388, 389, 315–318, 439, 126, 336, D14/339, 340; D10/104.1; D21/329; 455/556.1, 556.2, 566, 575.1, 90.3; 379/433.04, 433.01; 345/173, 901, 345/905; 361/679.26, 679.27, 679.3, 361/679.55, 679.56, 680–686; D6/308, D6/310; 463/37; 248/917–924
CPC A63H 33/3016; G06F 1/1613; H04M 1/0202; H04M 1/0279; H04M 1/0281; H04M 1/0283

FIG. 1 is a front/right-side/top perspective view of a tablet computer showing our new design;
FIG. 2 is a front elevational view thereof;
FIG. 3 is a rear elevational view thereof;
FIG. 4 is a left-side elevational view thereof;
FIG. 5 is a right-side elevational view thereof;
FIG. 6 is a top plan view thereof;
FIG. 7 is a bottom plan view thereof;
FIG. 8 is a rear/left-side/top perspective view thereof;
FIG. 9 is a rear/left-side/top perspective view thereof showing the hinge used as a stand; and,
FIG. 10 is a front/right-side/top perspective thereof showing a stored keyboard removed.

The broken lines shown in the drawings represent portions of the tablet computer that form no part of the claimed design.

See application file for complete search history.

1 Claim, 9 Drawing Sheets



(56)

References Cited

U.S. PATENT DOCUMENTS

D682,347 S * 5/2013 Haggins D18/50
D687,820 S * 8/2013 Kim D14/341
D691,104 S * 10/2013 Park D14/138 G
D696,246 S * 12/2013 Kim D14/341
D697,045 S * 1/2014 Zhang et al. D14/138 G
D701,847 S * 4/2014 Choi D14/138 G
D702,231 S * 4/2014 Park et al. D14/341

D702,232 S * 4/2014 Choi D14/341
D705,219 S * 5/2014 Martin et al. D14/315
D705,776 S * 5/2014 Groene et al. D14/341
D706,252 S * 6/2014 Kim et al. D14/248
D706,773 S * 6/2014 Lu D14/341
D712,400 S * 9/2014 Kim et al. D14/341
D713,403 S * 9/2014 Groene et al. D14/341
D716,799 S * 11/2014 Green et al. D14/341
D719,158 S * 12/2014 Akana et al. D14/374

* cited by examiner

FIG. 1

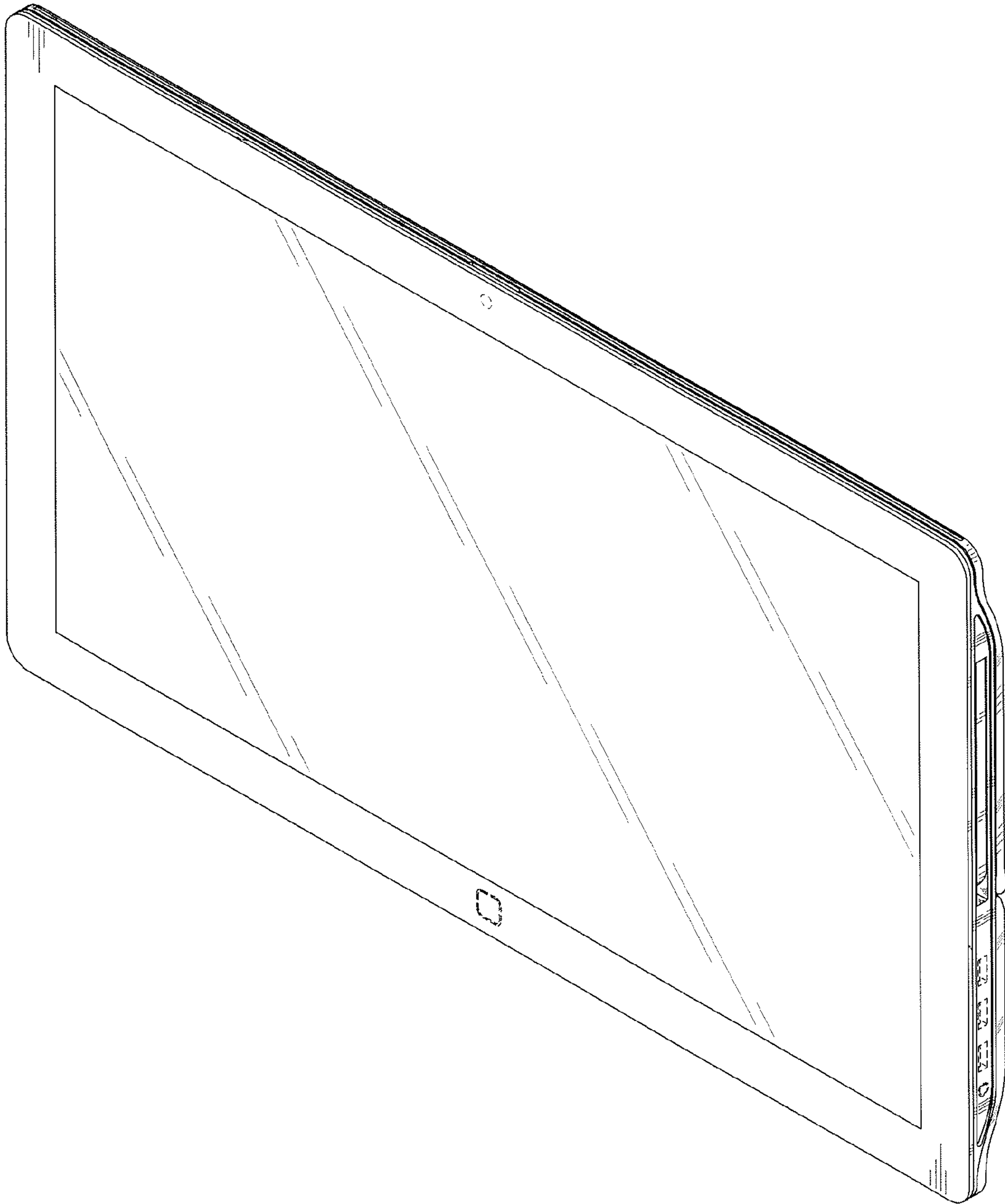


FIG. 2

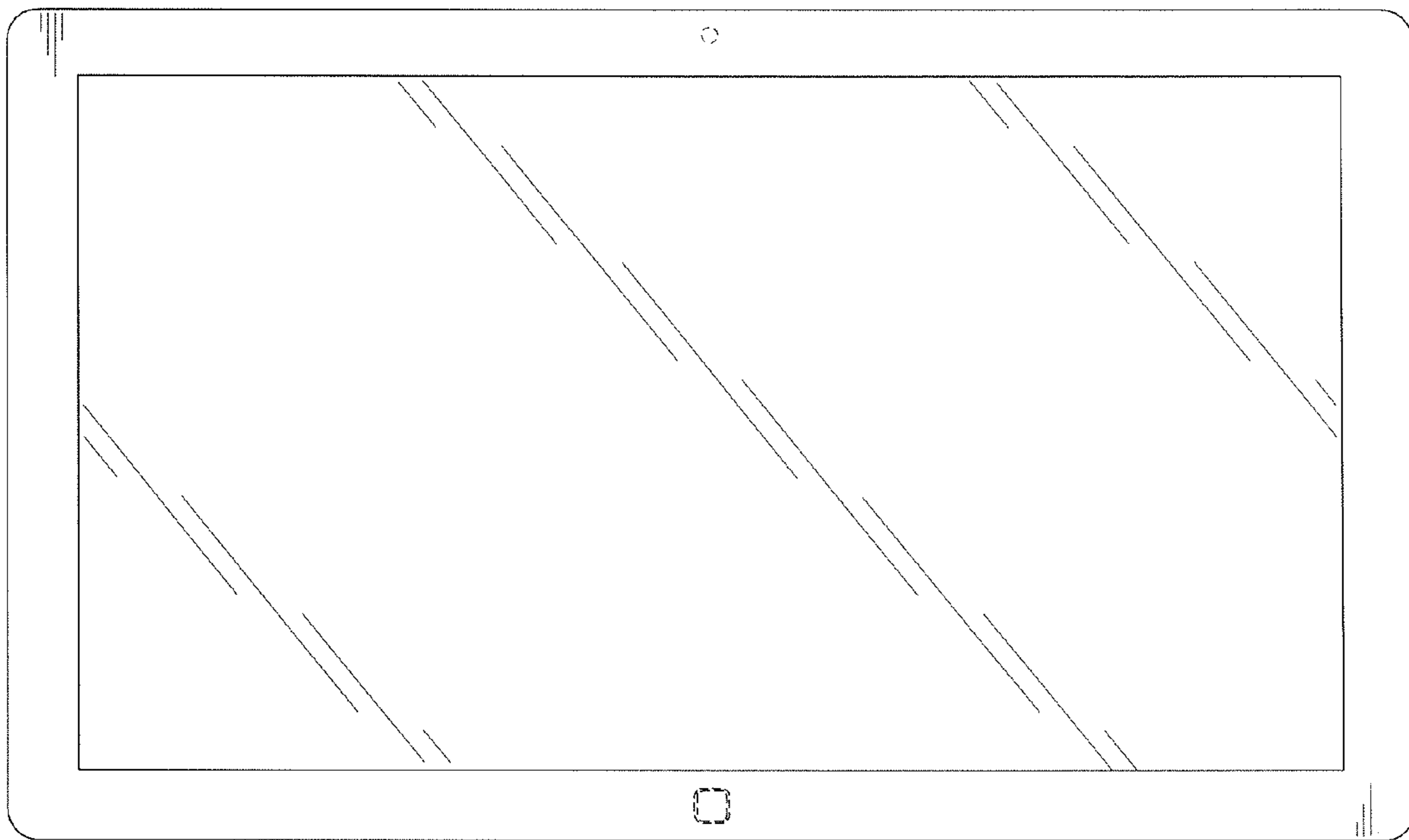


FIG. 3

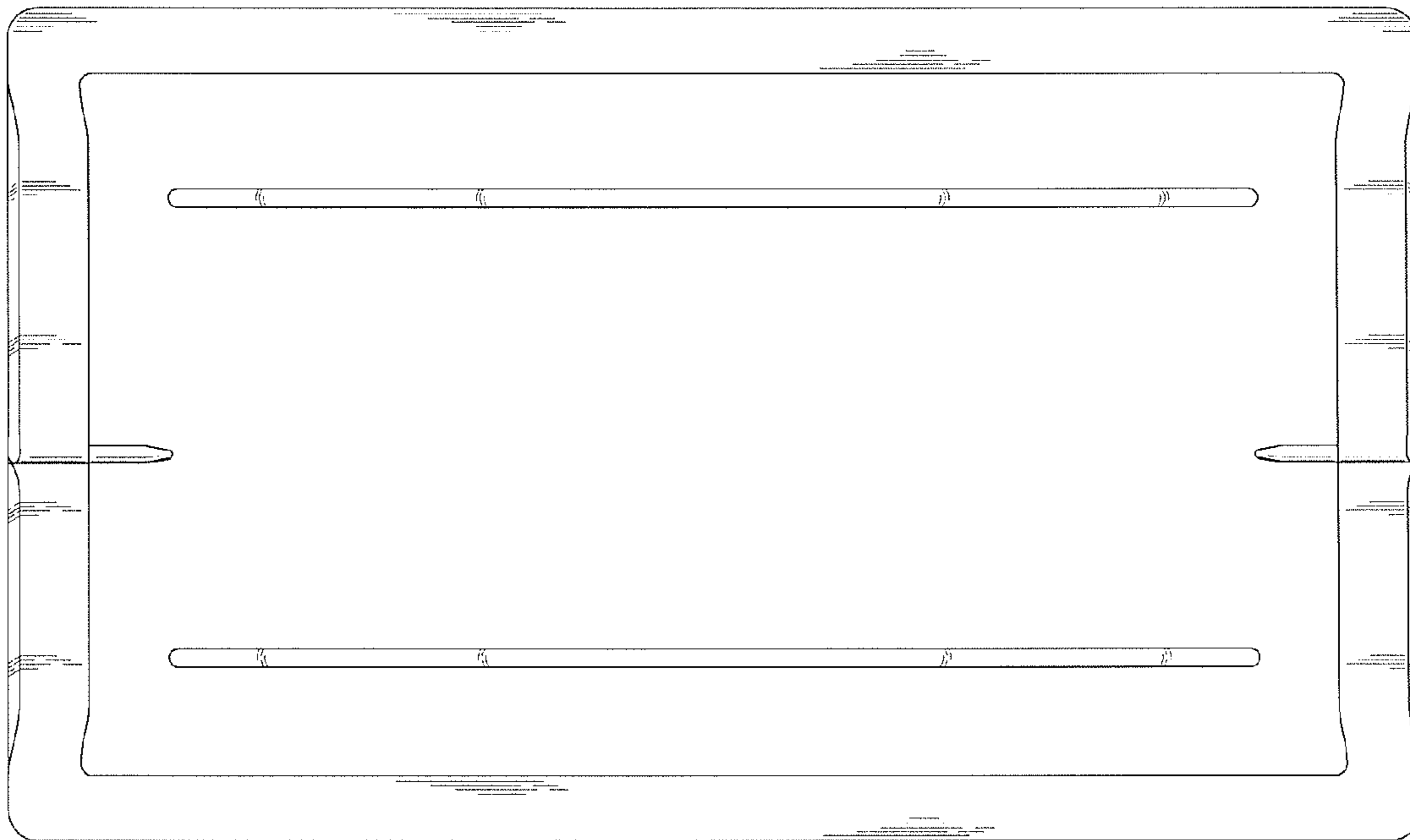


FIG. 4



FIG. 5

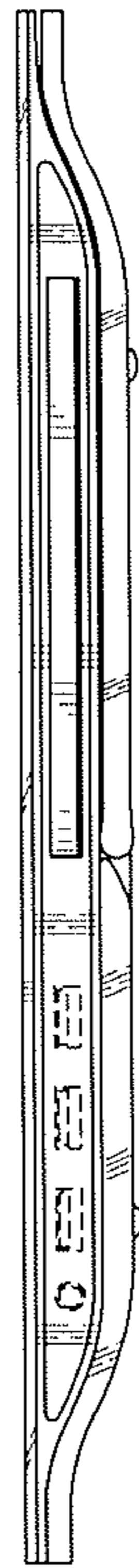


FIG. 6

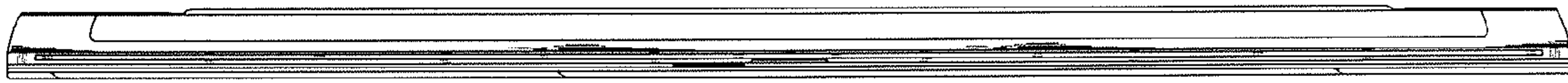


FIG. 7



FIG. 8

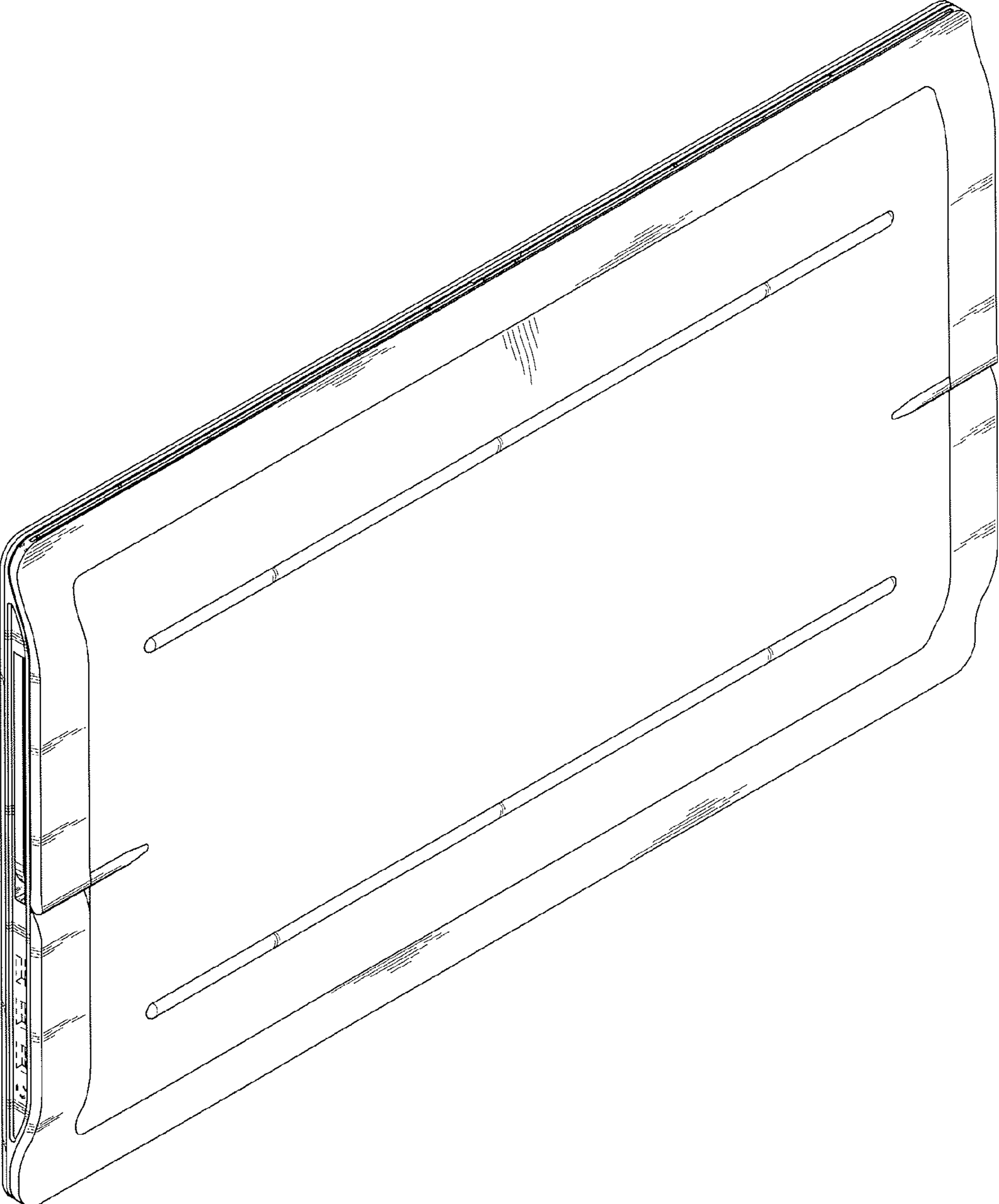


FIG. 9

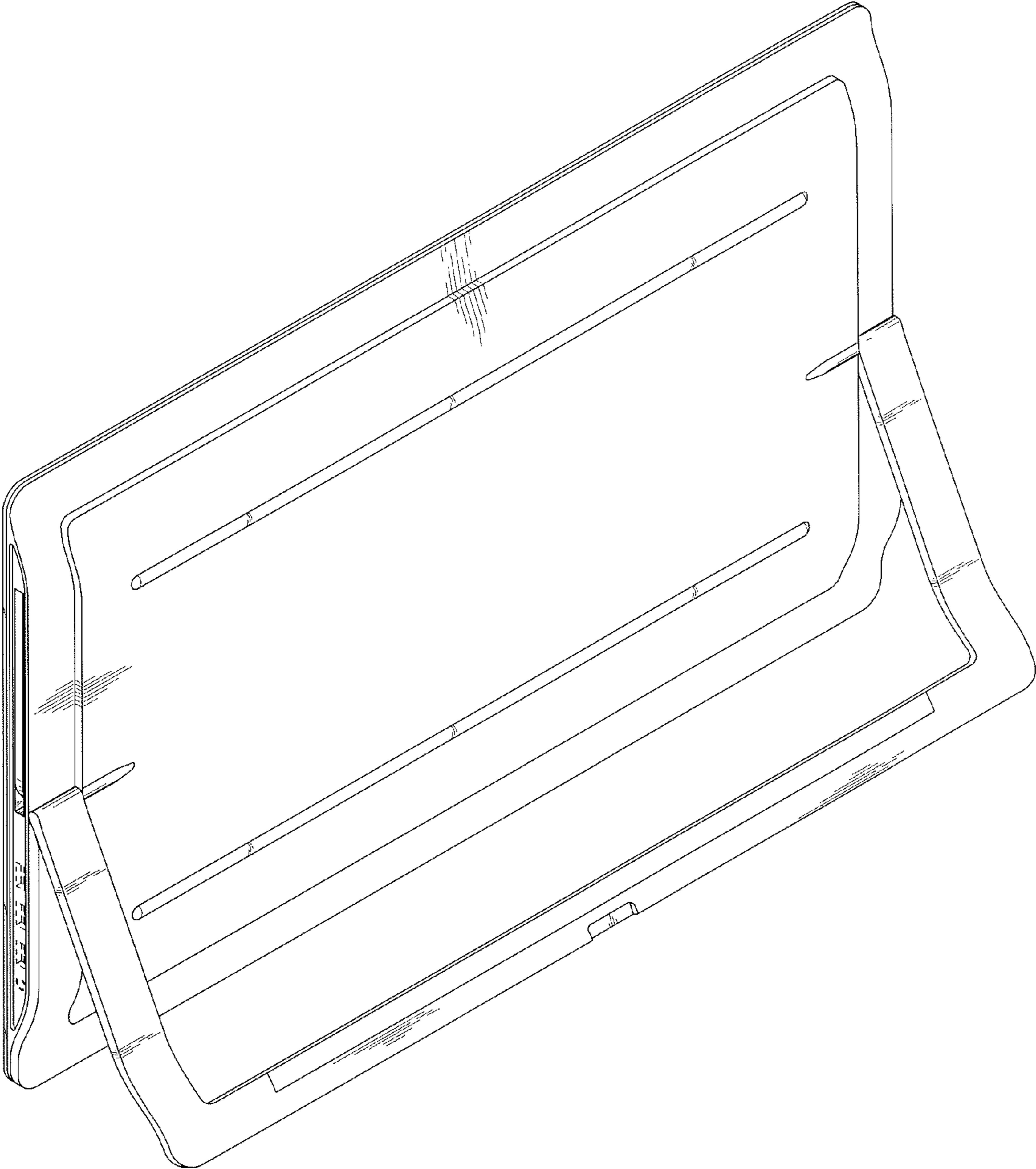


FIG. 10

