



US00D733125S

(12) **United States Design Patent**
Sung et al.

(10) **Patent No.:** **US D733,125 S**
(45) **Date of Patent:** **** Jun. 30, 2015**

(54) **TABLET COMPUTER**

(56) **References Cited**

(71) Applicant: **SAMSUNG ELECTRONICS CO., LTD.**, Suwon-si (KR)
(72) Inventors: **Whan Oh Sung**, Seoul (KR); **Jooyeon Lee**, Gunposi (KR); **Kyu Eun Hwang**, Seoul (KR); **Youngkeun Lee**, Seoul (KR); **Jochen Backs**, San Francisco, CA (US)
(73) Assignee: **Samsung Electronics Co., Ltd.**, Suwon-Si (KR)
(**) Term: **14 Years**
(21) Appl. No.: **29/459,352**
(22) Filed: **Jun. 28, 2013**

U.S. PATENT DOCUMENTS

4,609,105	A	*	9/1986	Manes et al.	206/308.3
D355,197	S	*	2/1995	Farinelli et al.	D14/257
D364,858	S	*	12/1995	McGrath et al.	D14/479
D418,502	S	*	1/2000	Friday	D14/478
D420,653	S	*	2/2000	Ikenaga	D14/480
D436,785	S	*	1/2001	Kitch	D6/627
D439,583	S	*	3/2001	Siegel	D14/474
D459,709	S	*	7/2002	Kojima et al.	D14/505
D482,365	S	*	11/2003	Yamagishi et al.	D14/442
D510,346	S	*	10/2005	Hsu et al.	D14/257
7,016,182	B2	*	3/2006	Brandenberg et al. ...	361/679.06
D518,673	S	*	4/2006	Milstein	D6/627
D574,654	S	*	8/2008	Kaiser	D6/627
D633,498	S	*	3/2011	Andre et al.	D14/392
D642,414	S	*	8/2011	Wynalda et al.	D6/627
D666,983	S	*	9/2012	Leung	D14/138 AD
D670,999	S	*	11/2012	Stowe et al.	D9/416

(Continued)

Primary Examiner — Barbara Fox
Assistant Examiner — Dana K Weiland
(74) *Attorney, Agent, or Firm* — Ladas & Parry LLP

(30) **Foreign Application Priority Data**

Jan. 3, 2013 (KR) 30-2013-0000373
(51) **LOC (10) Cl.** **14-02**
(52) **U.S. Cl.**
USPC **D14/341**
(58) **Field of Classification Search**
USPC D14/341–347, 137, 138 R, 138 AA, D14/138 C, 138 G, 496, 203.1, 203.3, 203.4, D14/203.7, 129, 130, 147, 248, 250, 374, D14/385, 388, 389, 315–318, 439, 126, 336, D14/339, 340; D10/104.1; D21/329; 455/556.1, 556.2, 566, 575.1, 90.3; 379/433.04, 433.01; 345/173, 901, 345/905; 361/679.26, 679.27, 679.3, 361/679.55, 679.56, 680–686; D6/308, D6/310; 463/37; 248/917–924
CPC A63H 33/3016; G06F 1/1613; H04M 1/0202; H04M 1/0279; H04M 1/0281; H04M 1/0283

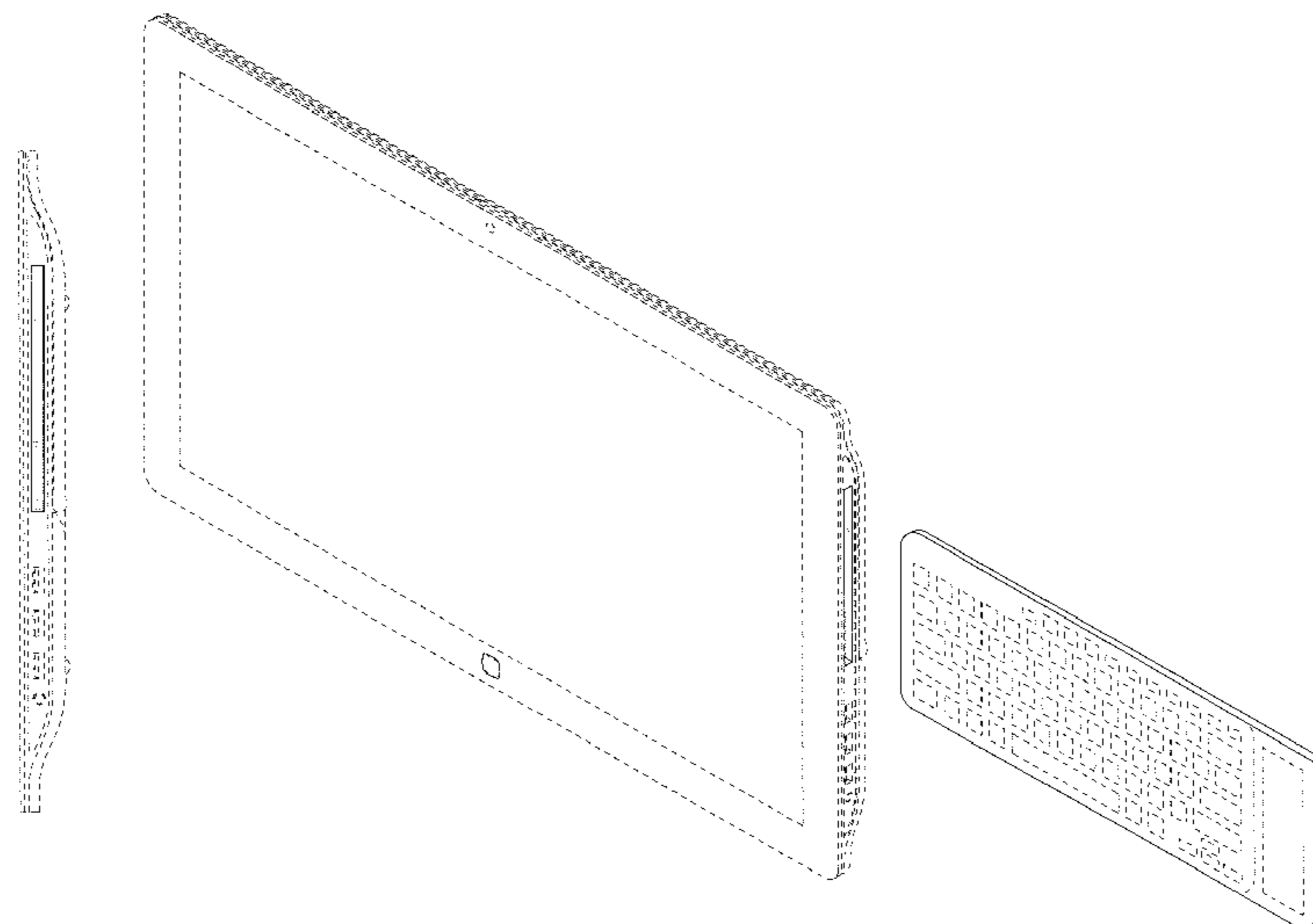
See application file for complete search history.

(57) **CLAIM**
The ornamental design for a tablet computer, as shown and described.

DESCRIPTION

FIG. 1 is a front/right-side/top perspective view of a tablet computer showing our new design;
FIG. 2 is a front elevational view thereof;
FIG. 3 is a rear elevational view thereof;
FIG. 4 is a left-side elevational view thereof;
FIG. 5 is a right-side elevational view thereof;
FIG. 6 is a top plan view thereof;
FIG. 7 is a bottom plan view thereof; and,
FIG. 8 is a front/right-side/top perspective thereof showing a stored keyboard removed.
The broken lines shown in the drawings represent portions of the tablet computer that form no part of the claimed design.

1 Claim, 7 Drawing Sheets



US D733,125 S

Page 2

(56)

References Cited

U.S. PATENT DOCUMENTS

			8,824,140 B2 *	9/2014	Prest et al.	361/679.56
			2008/0266264 A1 *	10/2008	Lipponen et al.	345/169
			2009/0111508 A1 *	4/2009	Yeh et al.	455/552.1
D684,042 S	*	6/2013	Betzig et al.		D9/420	
D697,045 S	*	1/2014	Zhang et al.		D14/138 G	

* cited by examiner

FIG. 1

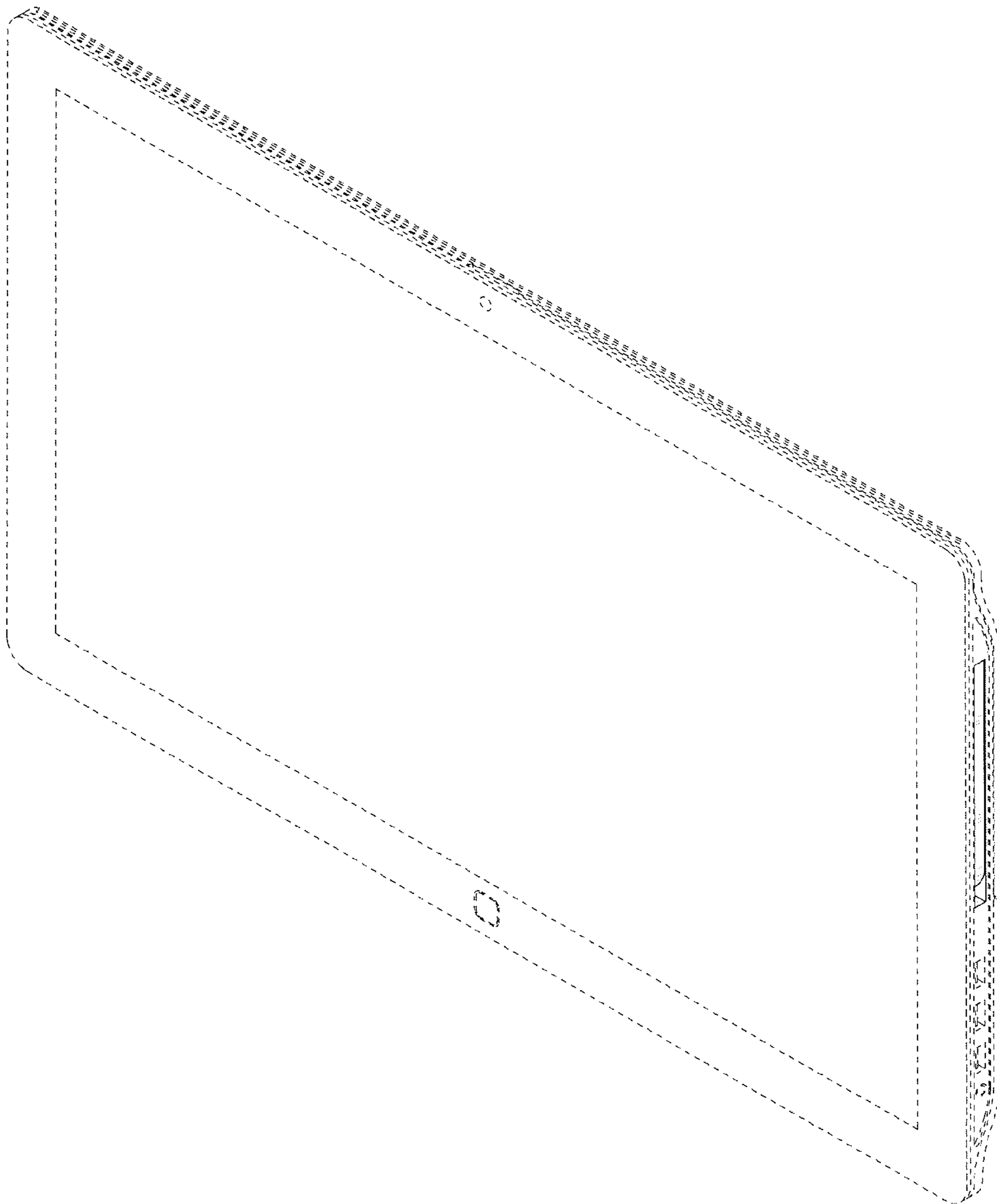


FIG. 2



FIG. 3



FIG. 4

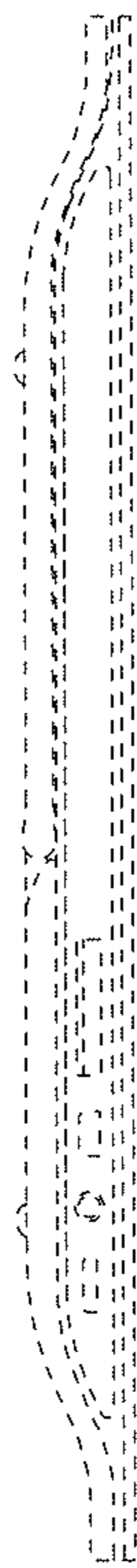


FIG. 5

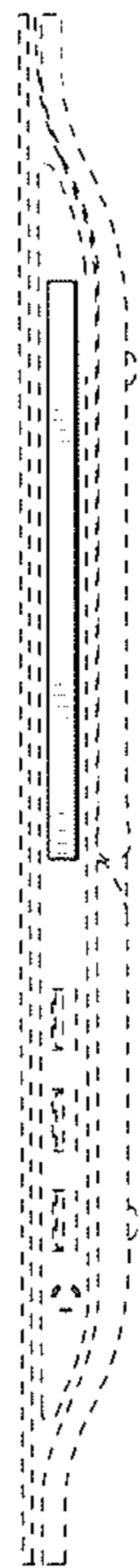


FIG. 6



FIG. 7



FIG. 8

