



US00D733120S

(12) **United States Design Patent**  
**Lee et al.**

(10) **Patent No.:** **US D733,120 S**  
(45) **Date of Patent:** **\*\* Jun. 30, 2015**

(54) **PORTABLE COMPUTER**

(71) Applicant: **Samsung Electronics Co., Ltd.**,  
Suwon-si (KR)

(72) Inventors: **Son-Young Lee**, Seoul (KR); **Wan-Sup Kim**, Seoul (KR); **Ik-Sang Kim**, Seoul (KR)

(73) Assignee: **SAMSUNG ELECTRONICS CO., LTD.** (KR)

(\*\*) Term: **14 Years**

(21) Appl. No.: **29/468,855**

(22) Filed: **Oct. 3, 2013**

(30) **Foreign Application Priority Data**

Jun. 18, 2013 (KR) ..... 30-2013-0031345

(51) **LOC (10) Cl.** ..... **14-02**

(52) **U.S. Cl.**  
USPC ..... **D14/316**

(58) **Field of Classification Search**  
USPC ..... D14/315-327, 331; D18/1, 2, 7, 11;  
235/145 A, 145 R; 341/22, 23; 345/104,  
345/156, 168, 169, 173; 361/679.08,  
361/679.09, 679.11, 679.26, 679.27;  
379/433.12; 16/341, 367  
See application file for complete search history.

(56) **References Cited**

**U.S. PATENT DOCUMENTS**

5,646,818 A \* 7/1997 Hahn ..... 361/679.09  
5,900,848 A \* 5/1999 Haneda et al. .... 345/1.1  
6,826,043 B2 \* 11/2004 Chang ..... 361/679.27  
6,985,356 B2 \* 1/2006 Wang ..... 361/679.06

D528,541 S \* 9/2006 Maskatia ..... D14/315  
7,158,634 B2 \* 1/2007 Eromaki ..... 379/433.13  
7,239,505 B2 \* 7/2007 Keely et al. .... 361/679.09  
7,549,246 B2 \* 6/2009 Kuo ..... 40/601  
7,616,435 B2 \* 11/2009 Wang ..... 361/679.27  
7,690,576 B2 \* 4/2010 Ladouceur et al. .... 235/486  
D671,112 S \* 11/2012 Harper et al. .... D14/336  
2003/0103324 A1 \* 6/2003 Gallivan ..... 361/681  
2005/0044665 A1 \* 3/2005 Kuramochi ..... 16/341

\* cited by examiner

*Primary Examiner* — Freda S Nunn

(74) *Attorney, Agent, or Firm* — Cantor Colburn LLP

(57) **CLAIM**

The ornamental design for a portable computer, as shown and described.

**DESCRIPTION**

FIG. 1 is a top front perspective view of a portable computer showing our new design;  
FIG. 2 is a front view thereof;  
FIG. 3 is a rear view thereof;  
FIG. 4 is a left side view thereof;  
FIG. 5 is a right side view thereof;  
FIG. 6 is a top view thereof;  
FIG. 7 is a bottom view thereof;  
FIG. 8 is a rear perspective view thereof;  
FIG. 9 is another right side view thereof, with a display portion of the portable computer being obliquely positioned at a rear of the portable computer; and,  
FIG. 10 is another top front perspective view thereof, wherein the display portion of the portable computer is positioned to be closed on a keyboard body of the portable computer.  
The broken lines illustrating portions of the portable computer are for environmental purposes only and form no part of the claimed design.

**1 Claim, 7 Drawing Sheets**

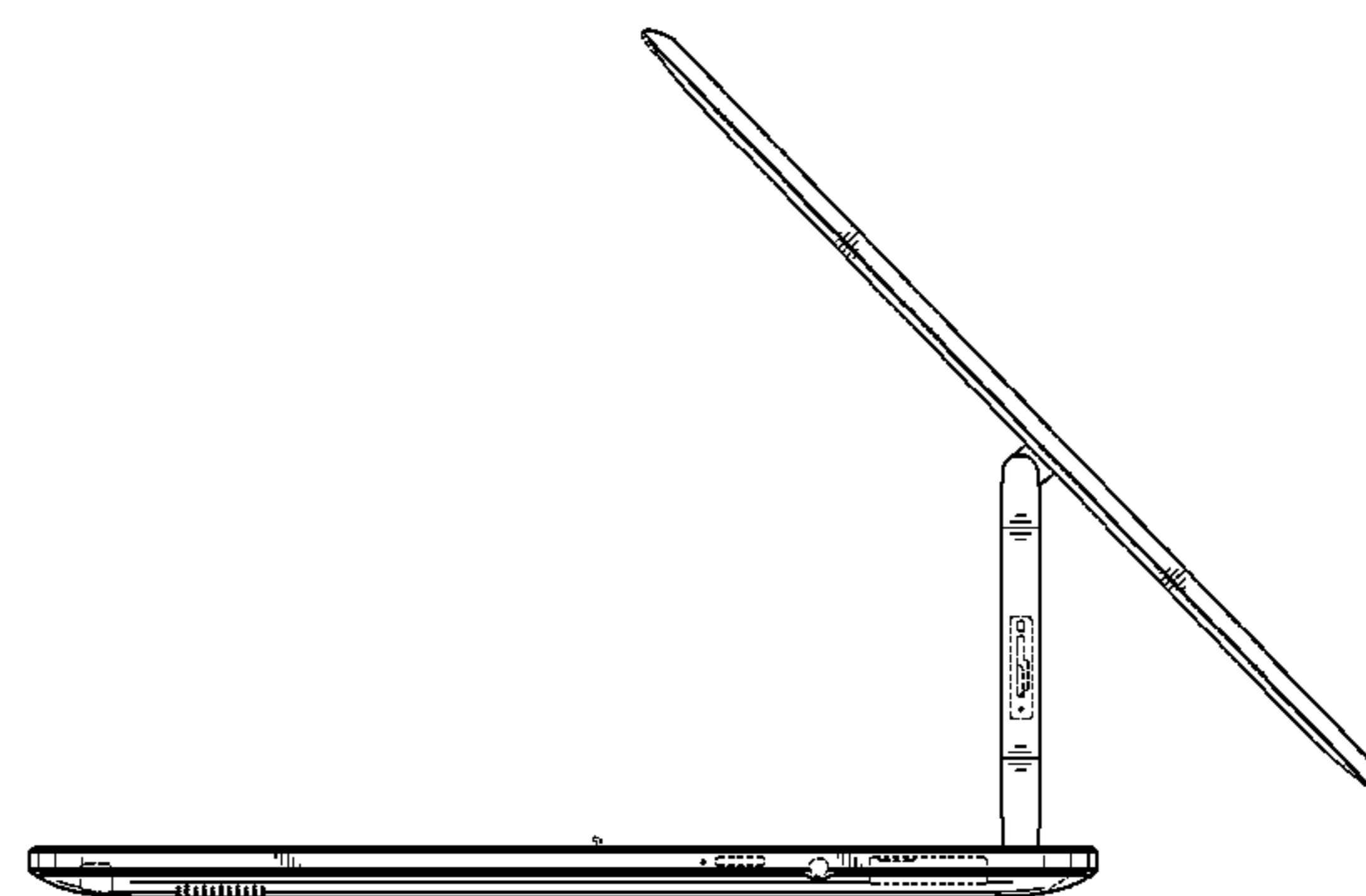
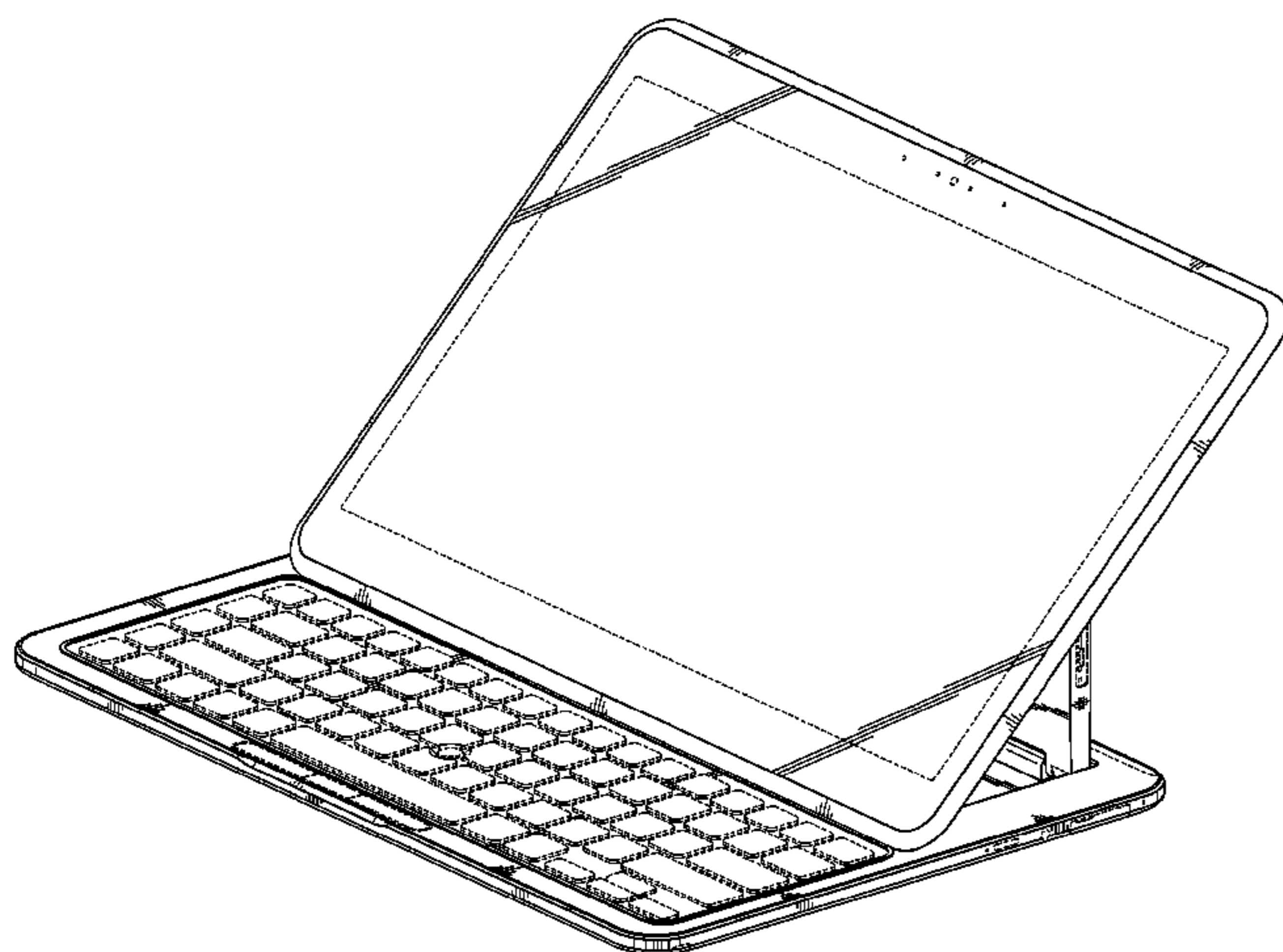


FIG.1

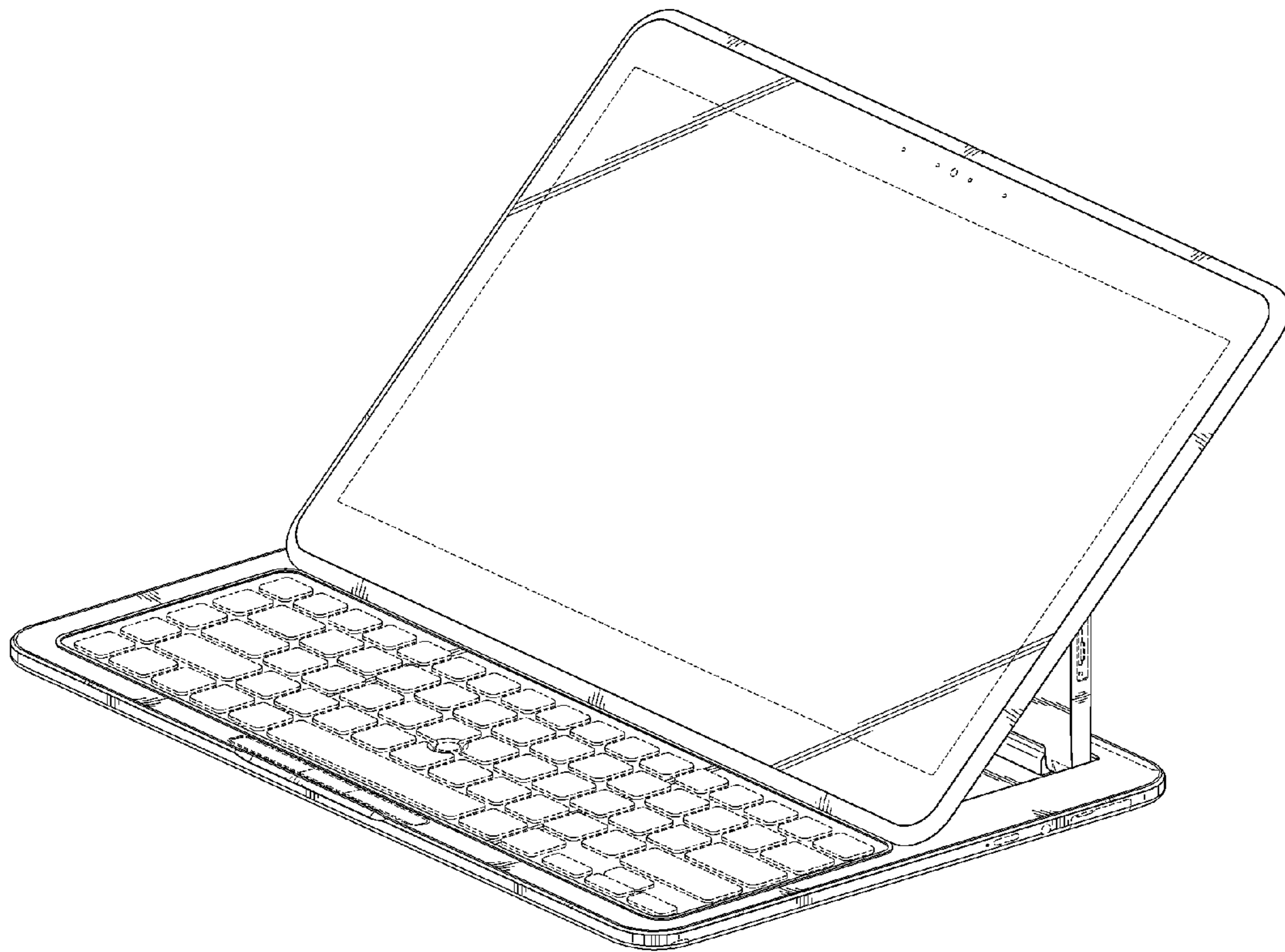


FIG.2

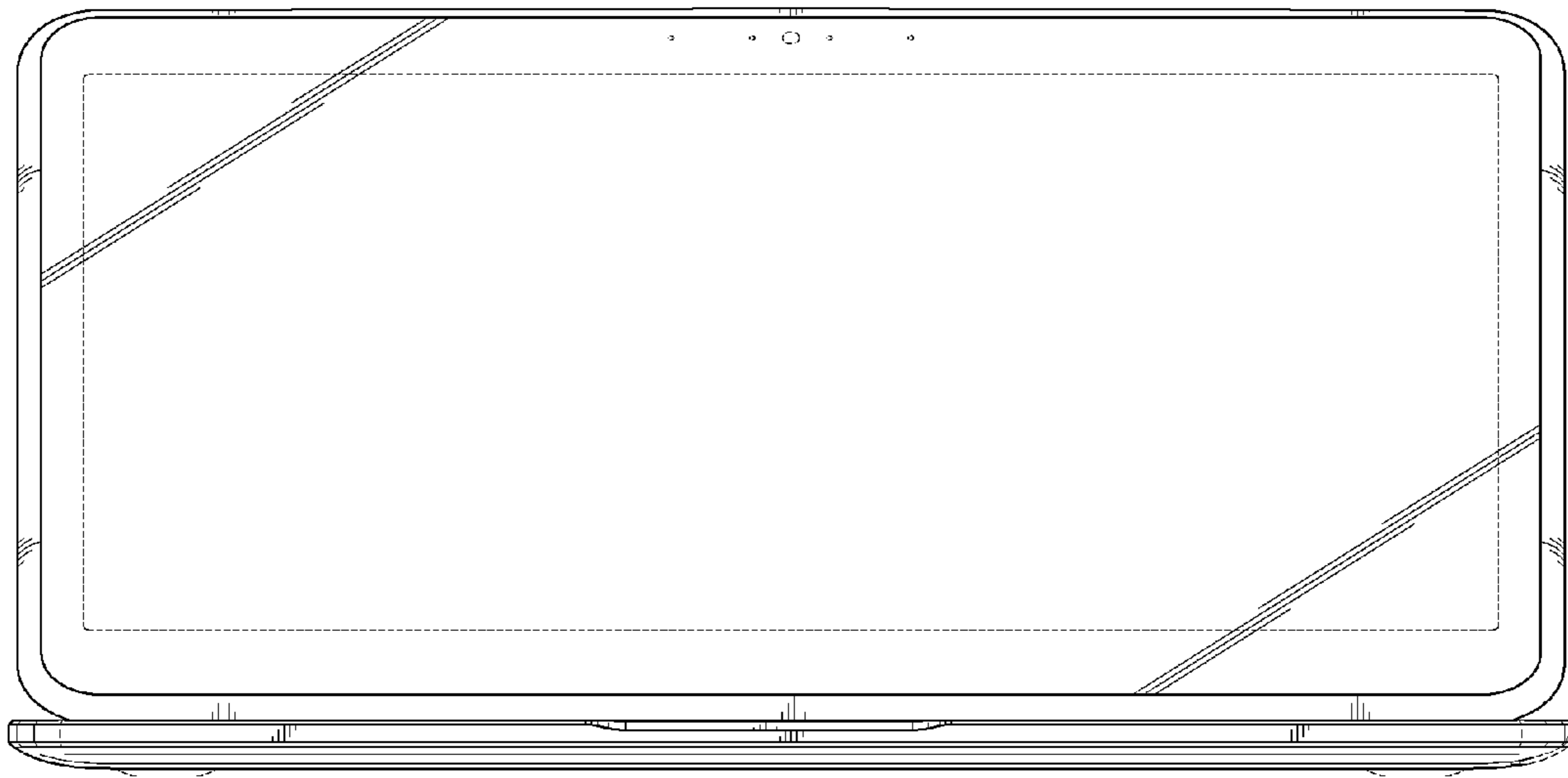


FIG.3

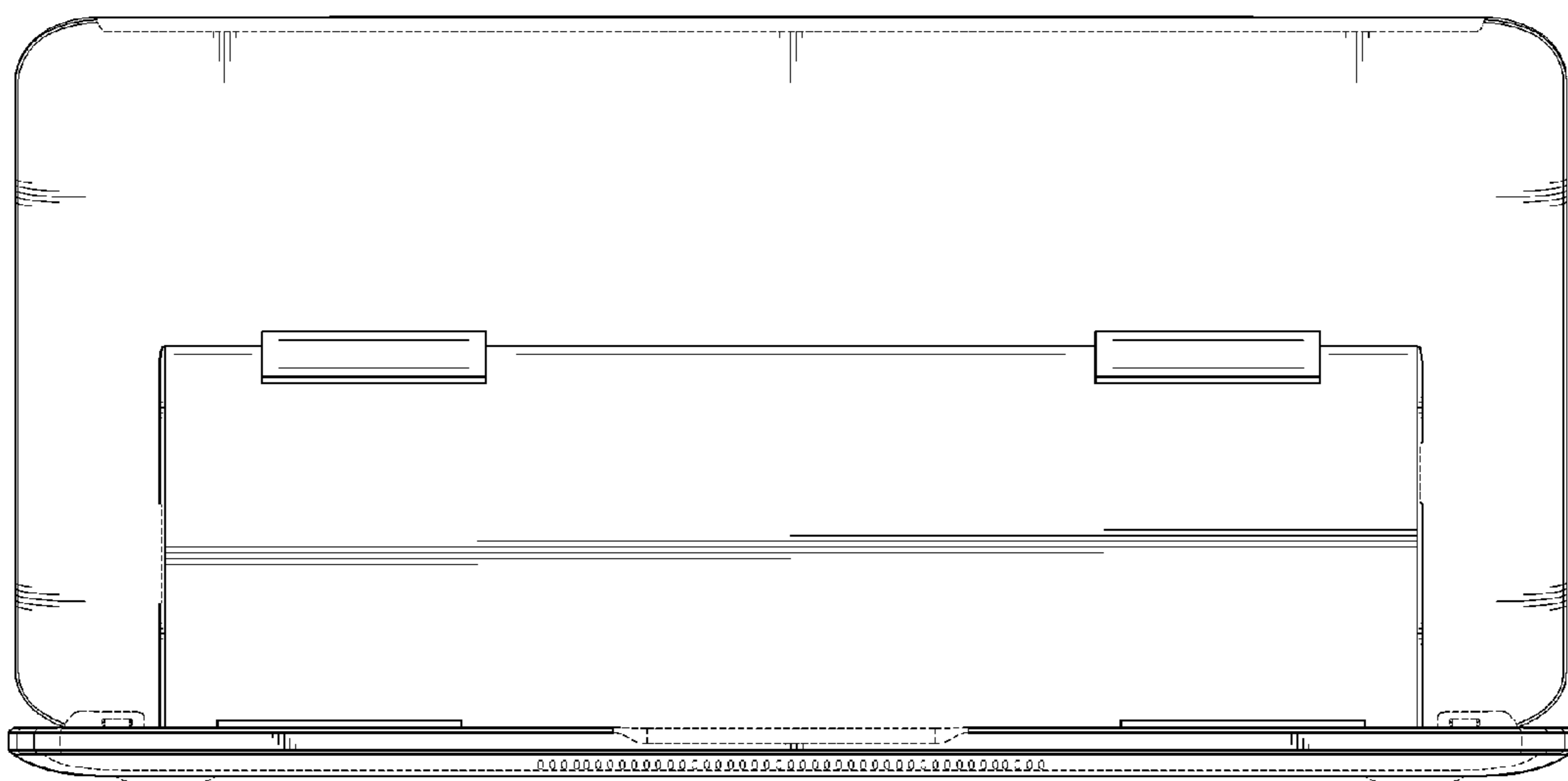


FIG.4

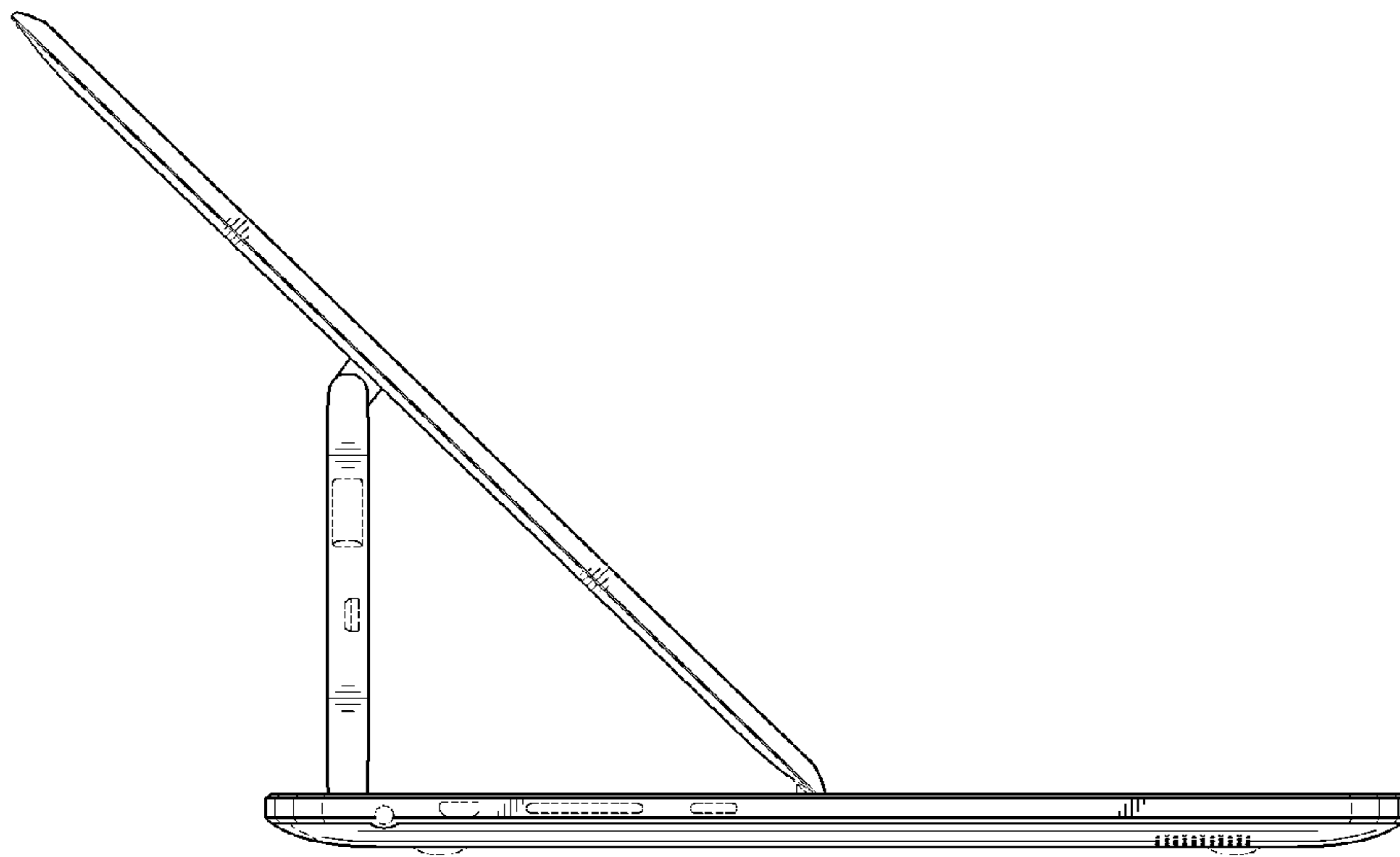


FIG.5

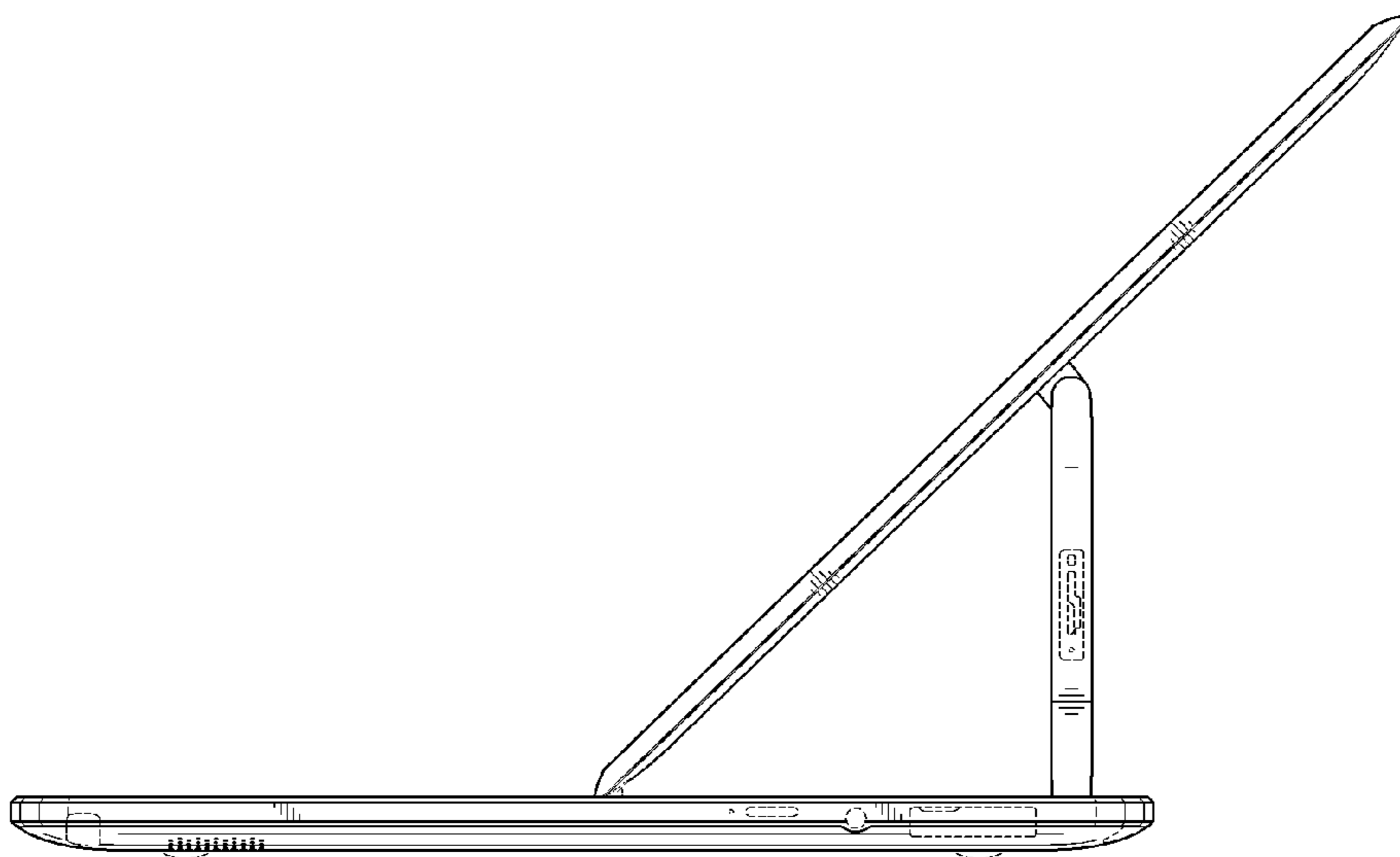


FIG.6

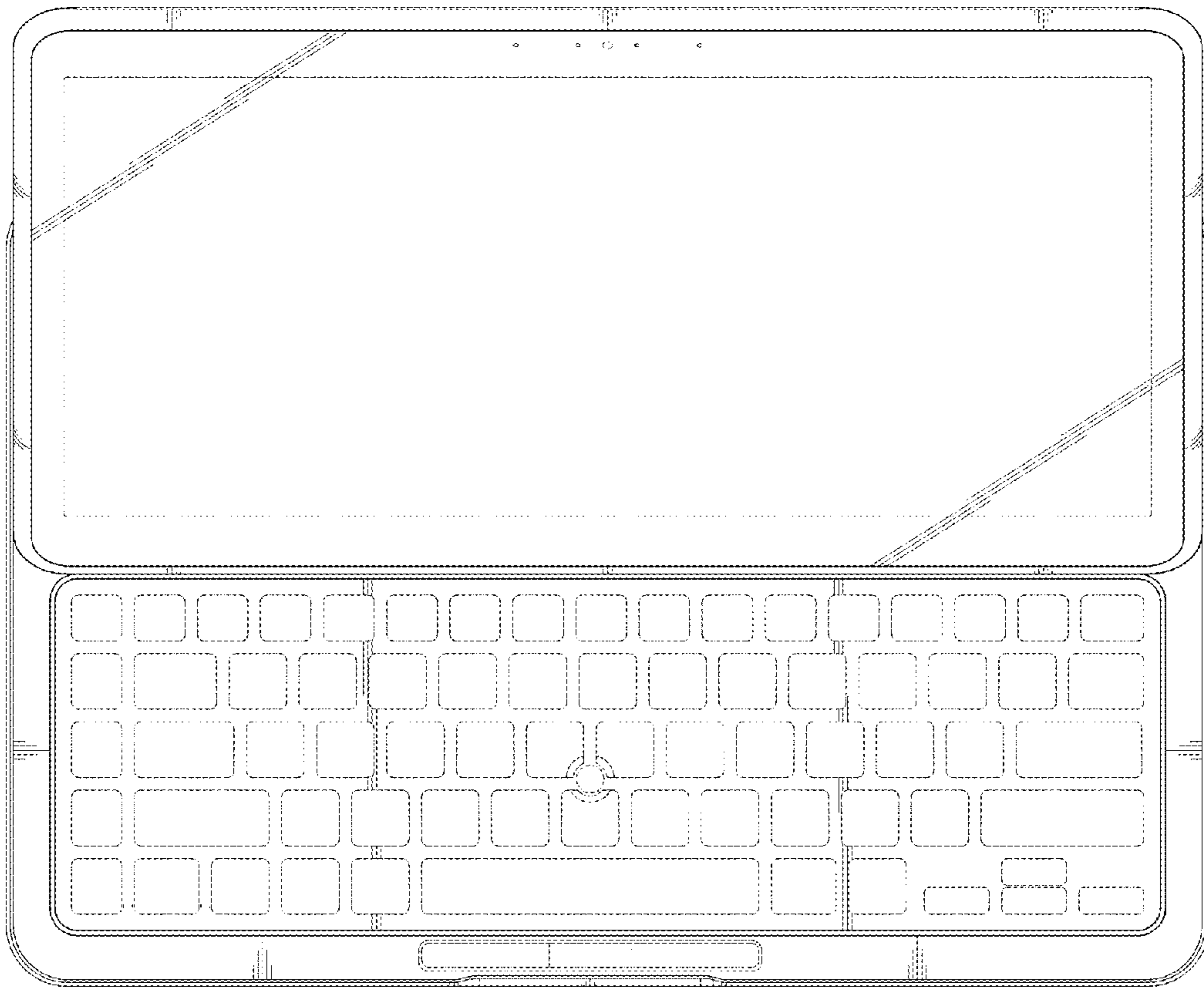




FIG.7

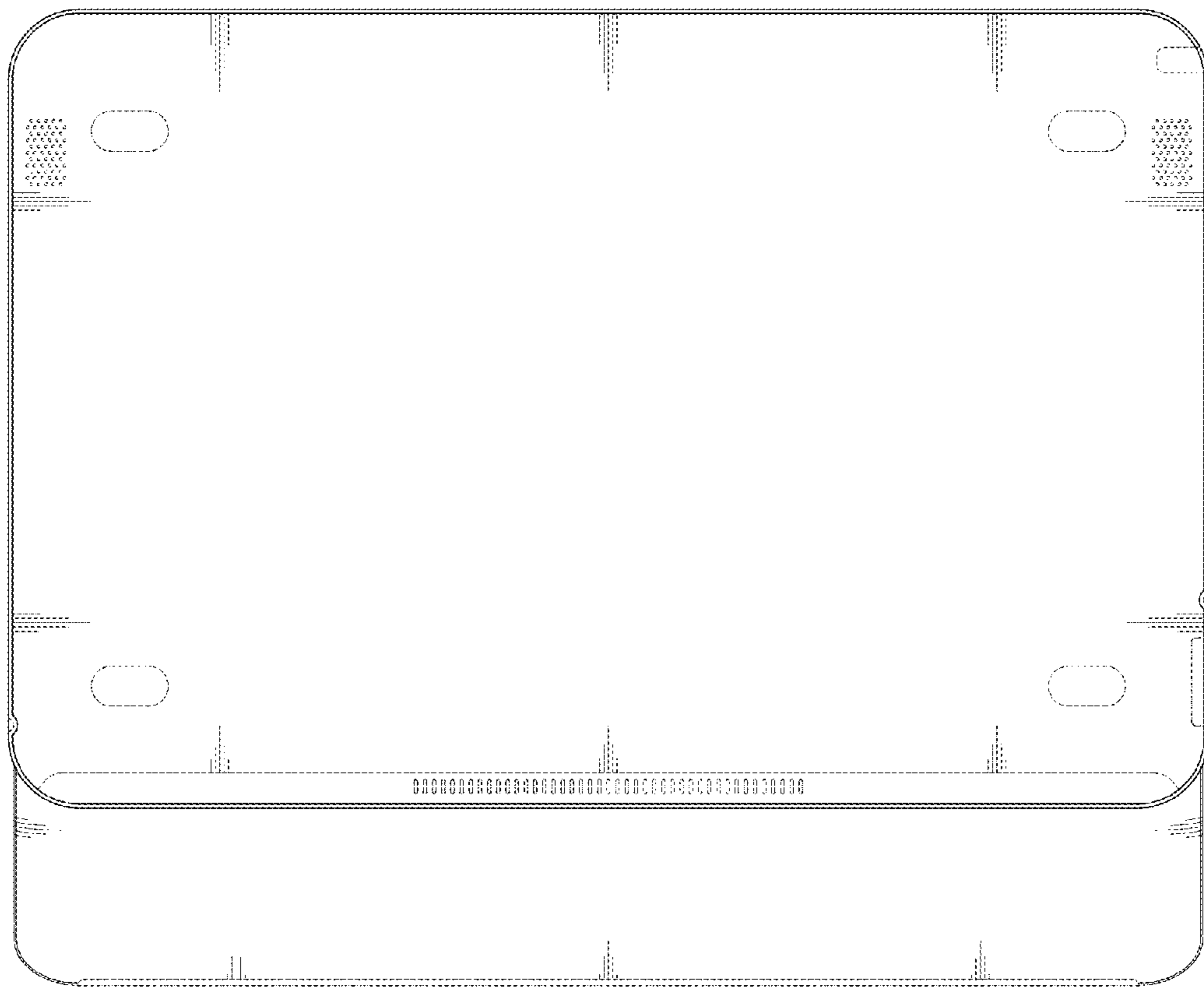


FIG.8

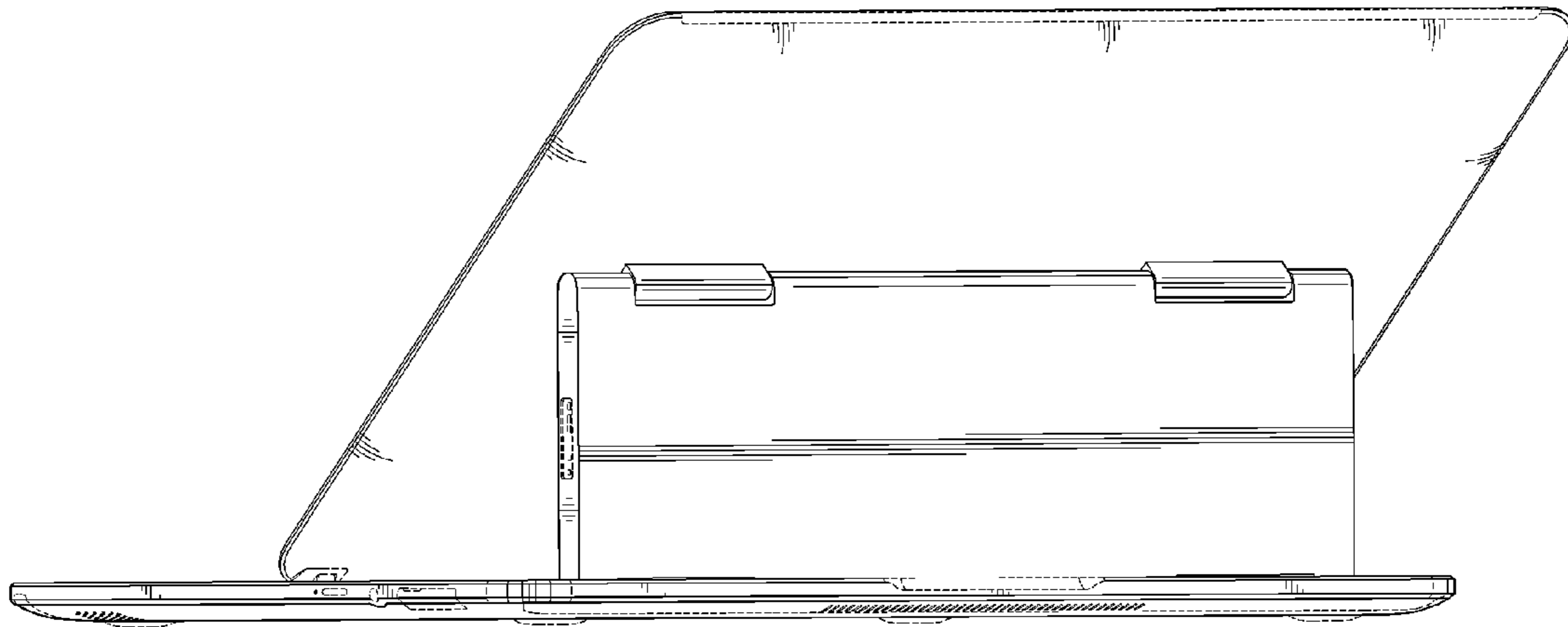


FIG.9

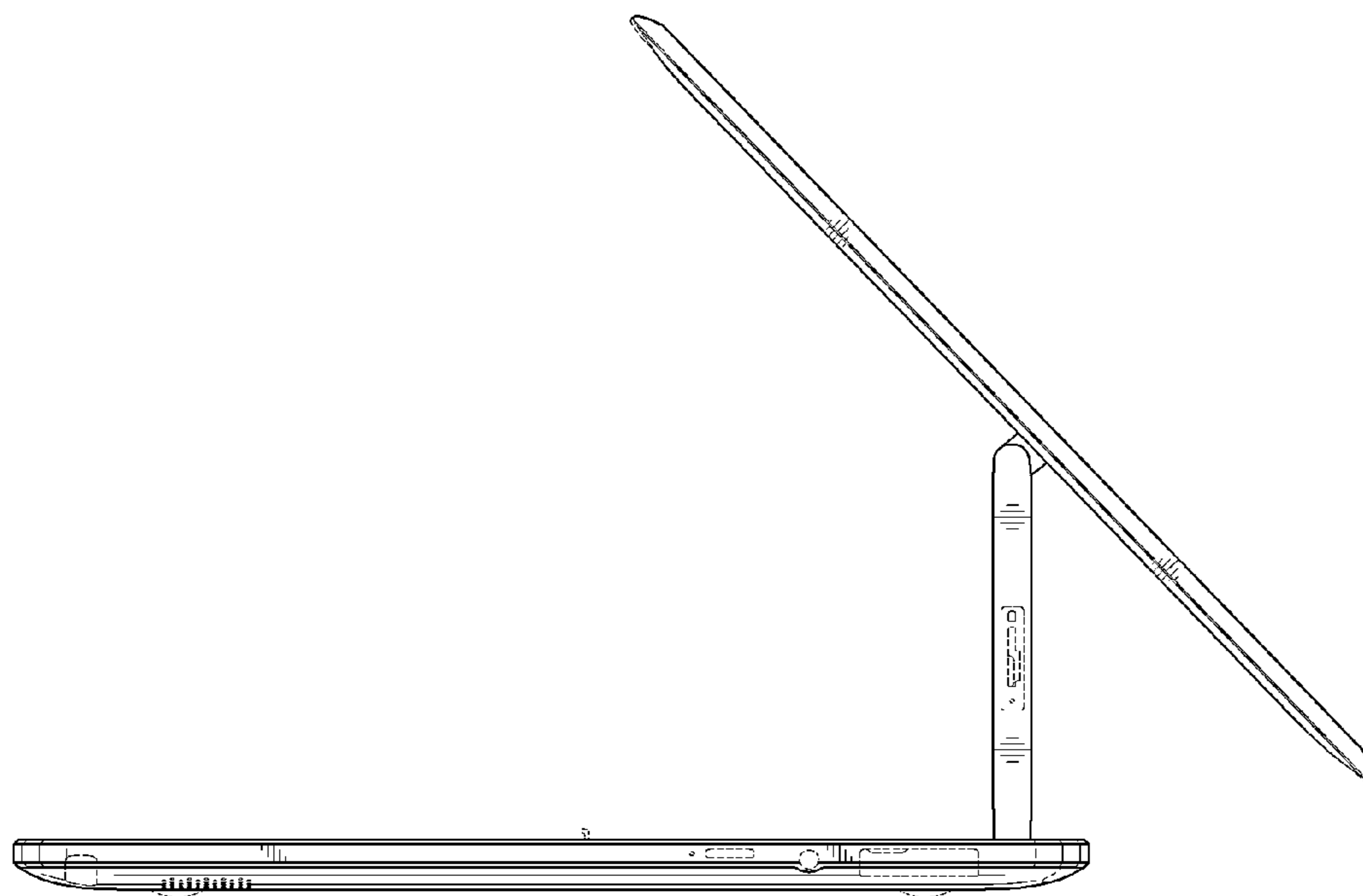


FIG.10

