



US00D733119S

(12) **United States Design Patent**
Tanaka et al.

(10) **Patent No.:** **US D733,119 S**
(45) **Date of Patent:** **** Jun. 30, 2015**

(54) **PORTABLE COMPUTER**

(71) Applicant: **Panasonic Corporation**, Kadoma-shi,
Osaka (JP)
(72) Inventors: **Yohei Tanaka**, Osaka (JP); **So Suzuki**,
Osaka (JP); **Katsuyoshi Uchiyama**,
Osaka (JP); **Takashi Tsukahara**, Osaka
(JP)

(73) Assignee: **PANASONIC INTELLECTUAL
PROPERTY MANAGEMENT CO.,
LTD.**, Osaka (JP)

(**) Term: **14 Years**

(21) Appl. No.: **29/480,646**

(22) Filed: **Jan. 28, 2014**

(30) **Foreign Application Priority Data**

Jul. 30, 2013 (JP) 2013-017326

(51) **LOC (10) Cl.** **14-02**

(52) **U.S. Cl.**
USPC **D14/315; D3/321**

(58) **Field of Classification Search**
USPC D14/315-318, 341-344, 129, 130, 496,
D14/137, 138 R, 138 AA, 138 C, 138 G,
D14/138 AB, 147, 203.1, 203.3, 203.4,
D14/203.7, 247, 389; D6/300-302, 308,
D6/310, 312, 322; D18/6, 7; D21/324,
D21/329, 330, 332; 455/556.2, 566;
379/916, 433.04, 433.1; 345/901, 905,
345/173; 361/679.26, 679.3, 679.55,
361/679.56; D3/321
CPC G06F 1/1616; G06F 1/1656; G06F
2200/1633; G06F 1/1628; H04M 1/035;
H05K 5/023

See application file for complete search history.

(56) **References Cited**

U.S. PATENT DOCUMENTS

D332,781 S *	1/1993	Toedter	D14/322
D490,417 S *	5/2004	Chen et al.	D14/318
D565,561 S *	4/2008	Kaneshiro	D14/315
D565,562 S *	4/2008	Nakagawa et al.	D14/315
D565,563 S *	4/2008	Kaneshiro et al.	D14/315
D565,564 S *	4/2008	Nakagawa et al.	D14/315

(Continued)

OTHER PUBLICATIONS

Getac V110 (TEN), available Apr. 25, 2014, [online], [site visited
May 20, 2015]. Available from internet, <URL: <http://www.techempower.net/5-rugged-laptops-that-will-go-the-distance/>>*

(Continued)

Primary Examiner — Cathron Brooks

Assistant Examiner — Teddy Falloway

(74) *Attorney, Agent, or Firm* — Brinks Gilson & Lione

(57) **CLAIM**

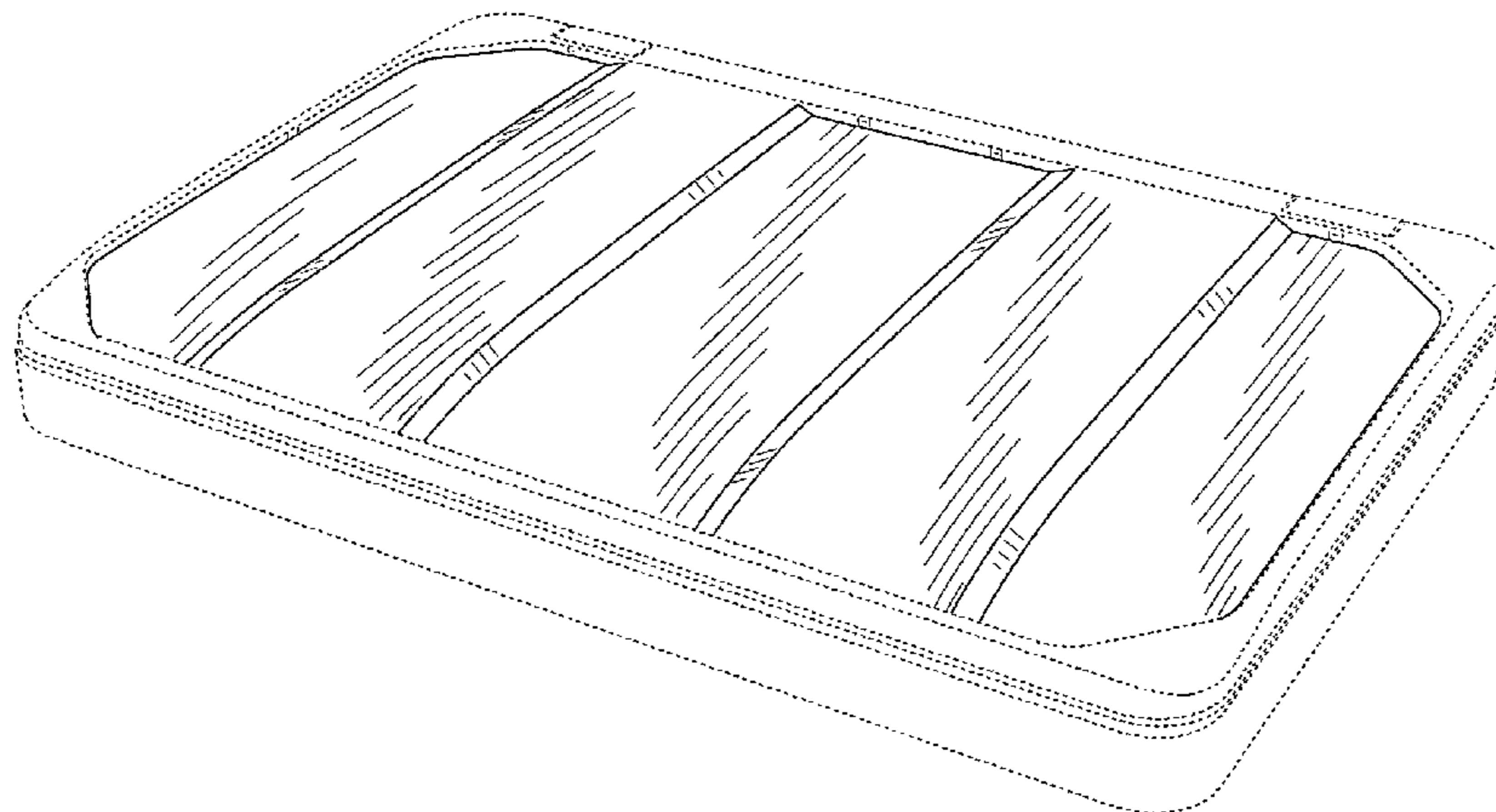
We claim the ornamental design for a portable computer, as shown and described.

DESCRIPTION

FIG. 1 is a front perspective view of a portable computer of the present invention;
FIG. 2 is a front view thereof;
FIG. 3 is a rear view thereof;
FIG. 4 is a first side view thereof;
FIG. 5 is a second side view thereof;
FIG. 6 is a top view thereof;
FIG. 7 is a bottom view thereof; and,
FIG. 8 is an enlarged view of the portion defined by 8-8 of FIG. 7.

The broken lines shown are included for the purpose of illustrating portions of the portable computer that form no part of the claimed design. The unevenly broken lines shown in FIG. 8 define the limits of the enlarged view, and form no part thereof.

1 Claim, 8 Drawing Sheets



(56)

References Cited

U.S. PATENT DOCUMENTS

D565,565 S * 4/2008 Nakagawa et al. D14/315
 D566,111 S * 4/2008 Nakagawa D14/315
 D566,705 S * 4/2008 Kaneshiro et al. D14/315
 D567,235 S * 4/2008 Kaneshiro et al. D14/315
 D568,307 S * 5/2008 Kaneshiro D14/315
 D572,479 S * 7/2008 Buck et al. D3/282
 D572,709 S * 7/2008 Nakagawa et al. D14/315
 D574,820 S * 8/2008 Nakagawa D14/315
 D576,616 S * 9/2008 Kaneshiro D14/315
 D576,617 S * 9/2008 Kaneshiro D14/315
 7,535,698 B2 * 5/2009 Iwamoto et al. 361/679.55
 D618,648 S * 6/2010 Bang et al. D14/138 AA
 D620,001 S * 7/2010 Reed et al. D14/315
 D623,643 S * 9/2010 Hsu D14/315
 D623,646 S * 9/2010 Peng D14/324
 D623,647 S * 9/2010 Hsu D14/324
 D623,648 S * 9/2010 Hsu et al. D14/324
 D626,123 S * 10/2010 Peng D14/324
 D627,775 S * 11/2010 Li D14/324
 D628,196 S * 11/2010 Li D14/324
 D628,197 S * 11/2010 Li D14/324
 7,894,181 B2 * 2/2011 Iwamoto et al. 361/679.21
 D635,133 S * 3/2011 Li D14/315
 D635,134 S * 3/2011 Li et al. D14/315
 D635,135 S * 3/2011 Li D14/315

D635,564 S * 4/2011 Li D14/315
 D635,565 S * 4/2011 Li et al. D14/315
 D636,369 S * 4/2011 Li D14/138 AB
 D649,149 S * 11/2011 Peng D14/315
 D671,114 S * 11/2012 Akana et al. D14/341
 D671,537 S * 11/2012 Nishimura et al. D14/318
 D695,734 S * 12/2013 Nishimura D14/318
 D696,253 S * 12/2013 Akana et al. D14/345
 D701,205 S * 3/2014 Akana et al. D14/345
 D708,177 S * 7/2014 Honda et al. D14/318
 D722,598 S * 2/2015 Leonard et al. D14/315

OTHER PUBLICATIONS

Panasonic Toughbook CF-53, available Feb. 1, 2012, [online], [site visited May 20, 2015]. Available from internet, <URL: <http://www.laptopmag.com/reviews/laptops/panasonic-toughbook-cf-53>.*

Getac X500 (wired), available Jul. 27, 2011, [online], [site visited May 20, 2015]. Available from internet, <URL: <http://www.wired.com/2011/07/getac/>.*

Box Rib Wall Panel, available Jan. 7, 2013, [online], [site visited May 7, 2015]. Available from internet, <URL: http://www.metaldeck.com/box_rib_n.htm.*

Metal Wall Panel, available Nov. 23, 2014, [online], [site visited May 7, 2015]. Available from internet, <URL: <http://houstonsteelbuildingsco.com/metalwall.html>.*

* cited by examiner

FIG.1

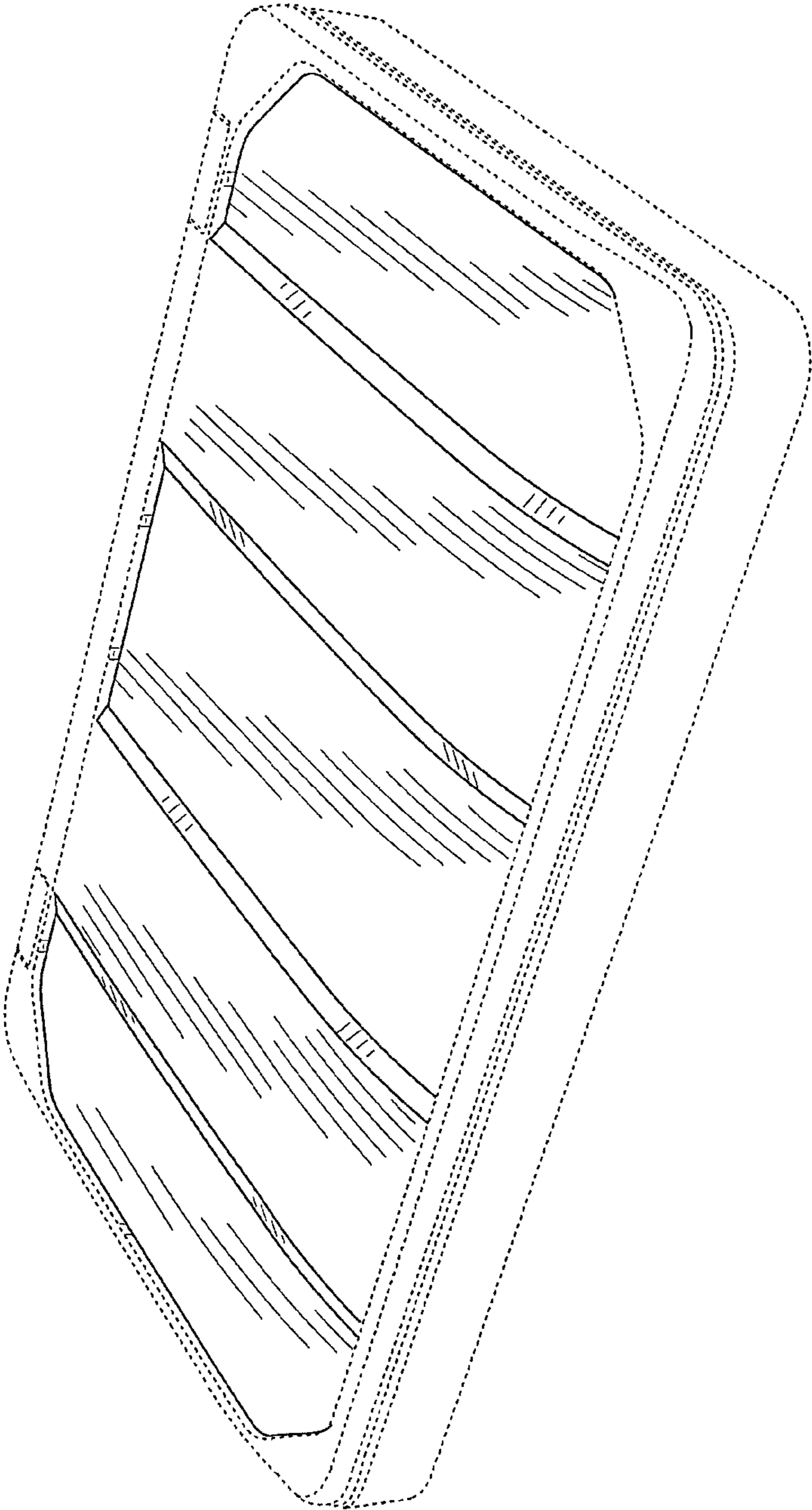


FIG. 2

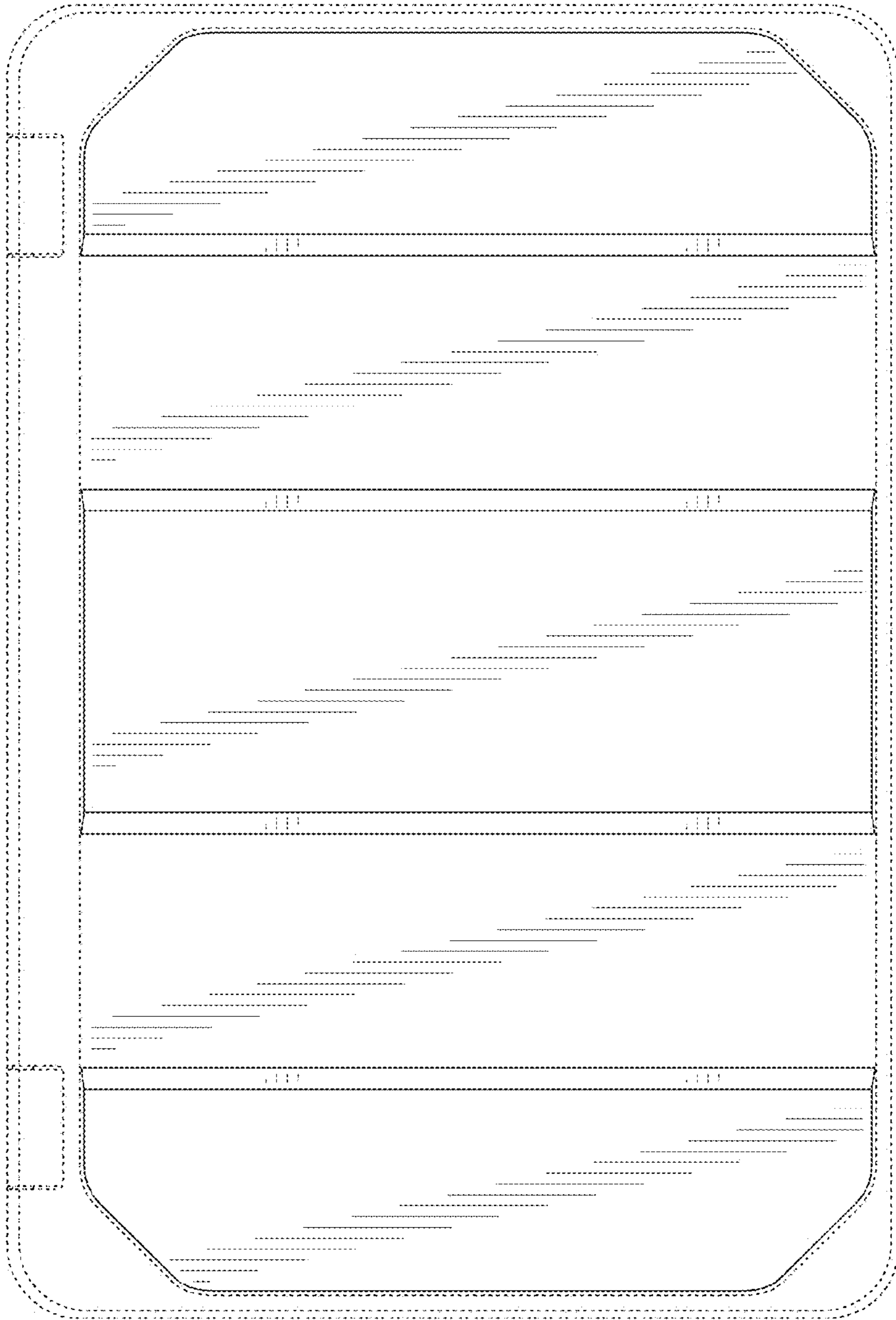


FIG.3

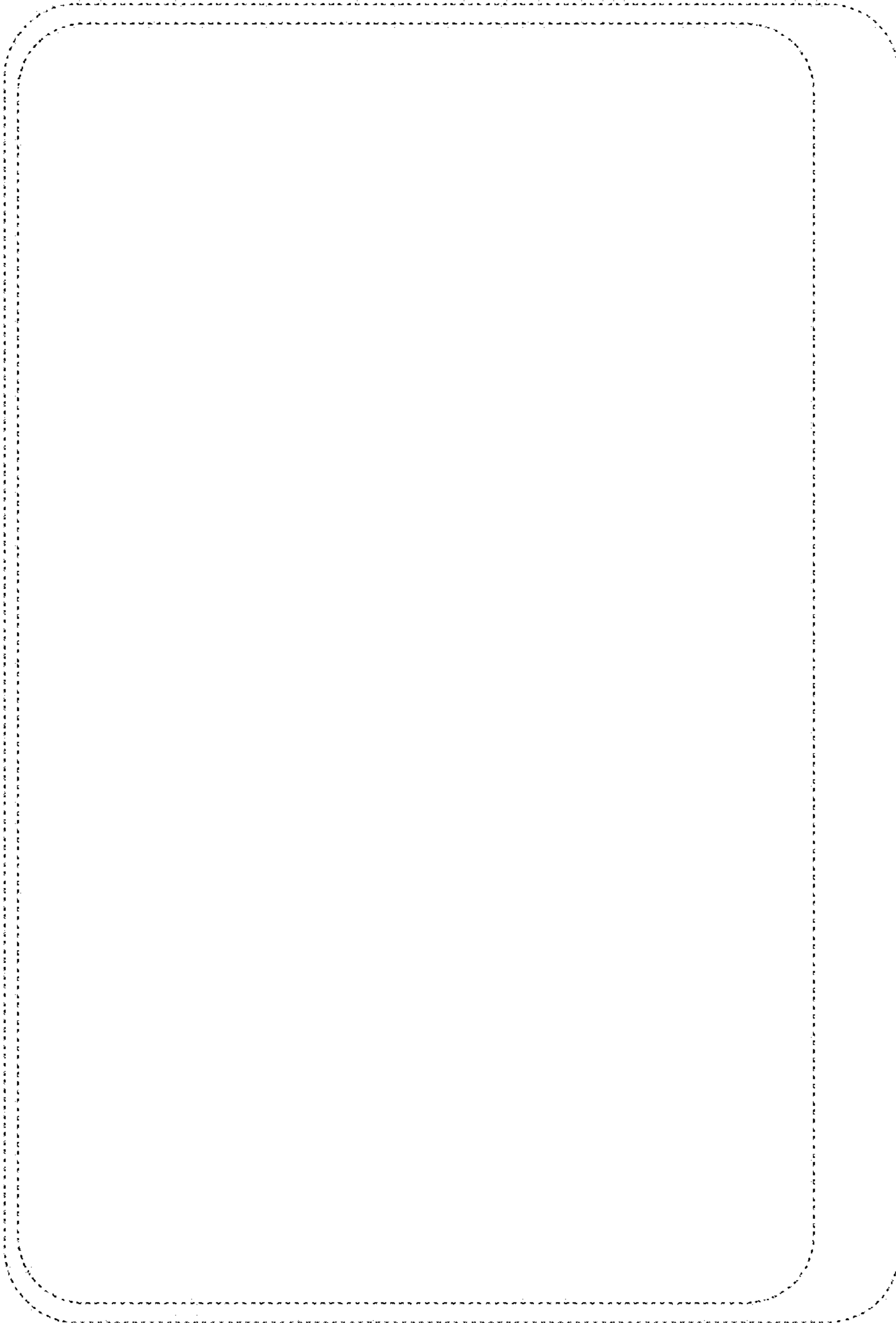


FIG.4

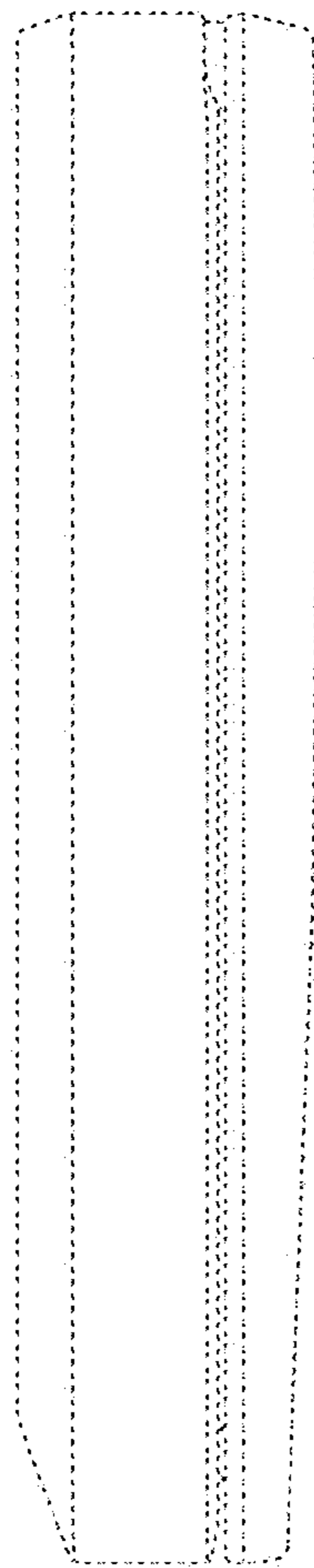


FIG. 5

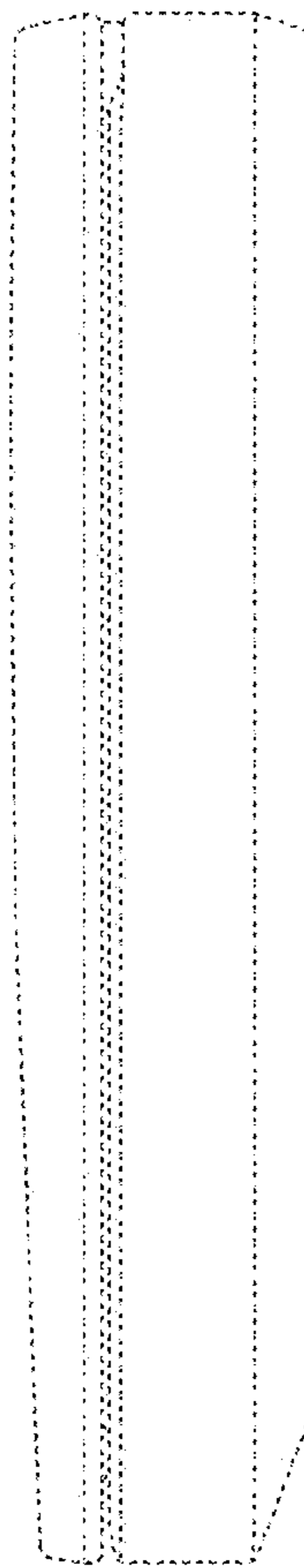


FIG. 6

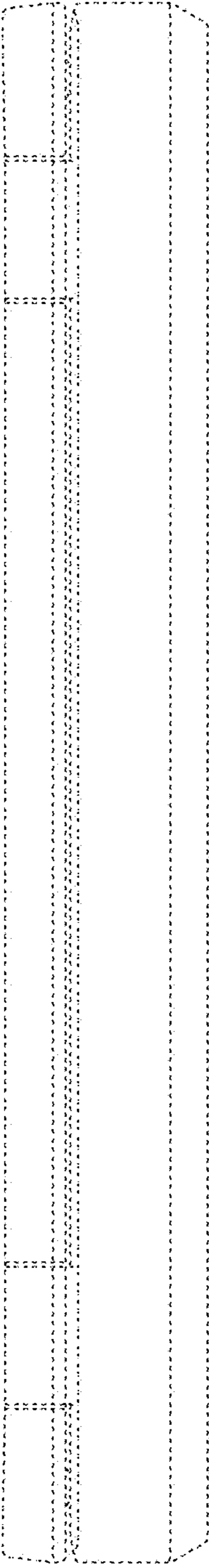


FIG. 7

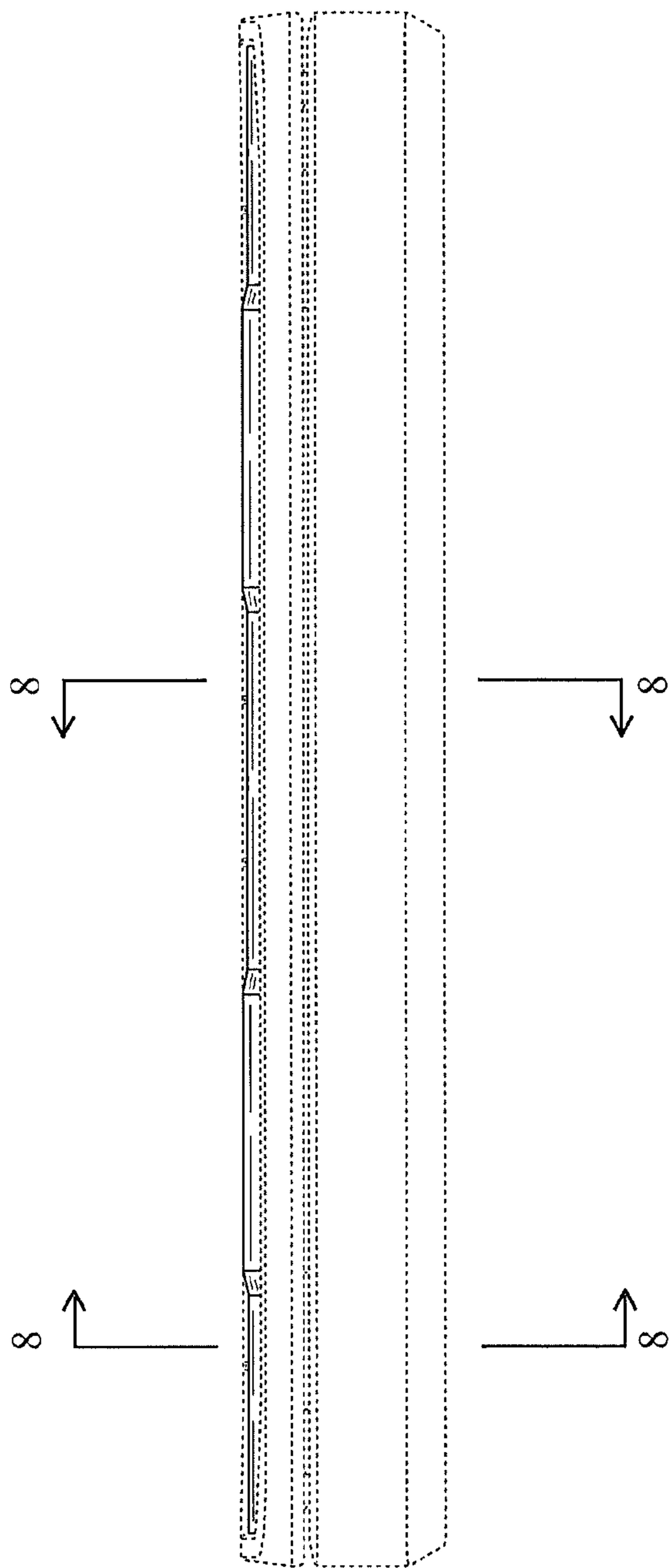


FIG. 8

