



US00D733115S

(12) **United States Design Patent**
Aspinall et al.

(10) **Patent No.:** **US D733,115 S**
(45) **Date of Patent:** **** Jun. 30, 2015**

(54) **MOBILE HOLDER**

- (71) Applicant: **IOTTIE, INC.**, Hackensack, NJ (US)
- (72) Inventors: **John Aspinall**, Staten Island, NY (US); **James Byun**, Brooklyn, NY (US); **Kyu Seop Lee**, Basking Ridge, NJ (US); **Alan Yu Tung Ng**, New York, NY (US)
- (73) Assignee: **IOTTIE, INC.**, Hackensack, NJ (US)

(**) Term: **14 Years**

(21) Appl. No.: **29/507,974**

(22) Filed: **Oct. 31, 2014**

Related U.S. Application Data

(63) Continuation of application No. 29/487,673, filed on Apr. 10, 2014, now Pat. No. Des. 718,298.

(51) **LOC (10) Cl.** **14-03**

(52) **U.S. Cl.**
USPC **D14/253**

(58) **Field of Classification Search**

USPC D14/137, 140, 140.8, 142, 204, 209.1, D14/217, 221, 243–256, 434, 440, 444–447, D14/238.1; D8/400–404, 499; D2/861; D3/215, 218, 304, 269; D6/467, 300, D6/310, 553–574; D25/318; 292/342, 343; 248/188.2; 348/373, 376; D12/415, D12/411; D19/87, 90; 455/573, 575.1, 455/575.9

See application file for complete search history.

(56) **References Cited**

U.S. PATENT DOCUMENTS

D592,205 S	*	5/2009	O'Brien	D14/253
D603,322 S	*	11/2009	Nicieja	D12/415
D614,613 S	*	4/2010	Kim et al.	D14/253
D626,541 S	*	11/2010	Kim et al.	D14/253

(Continued)

Primary Examiner — Susan Bennett Hattan
Assistant Examiner — Janice Hallmark
(74) *Attorney, Agent, or Firm* — Lucas & Mercanti, LLP

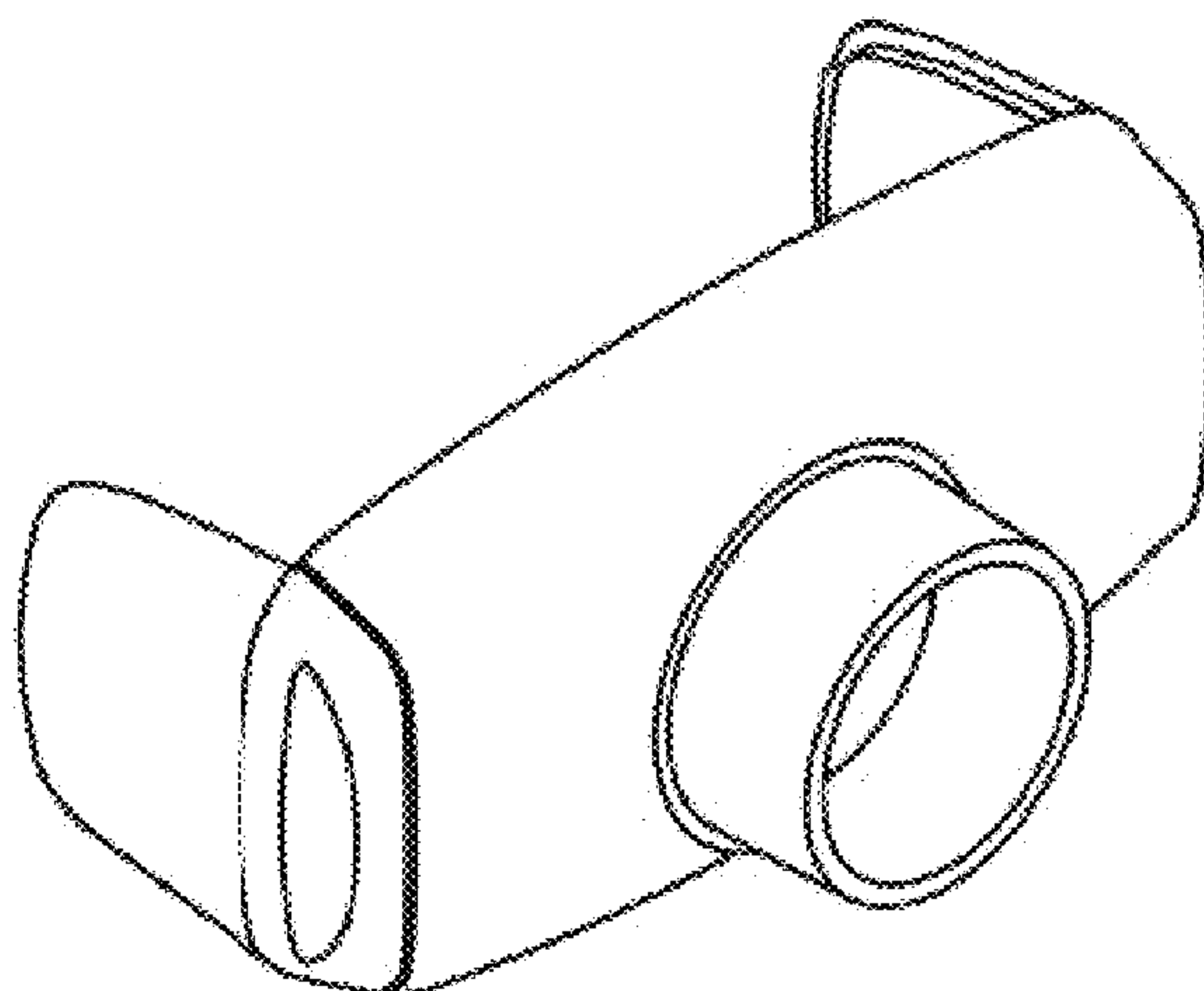
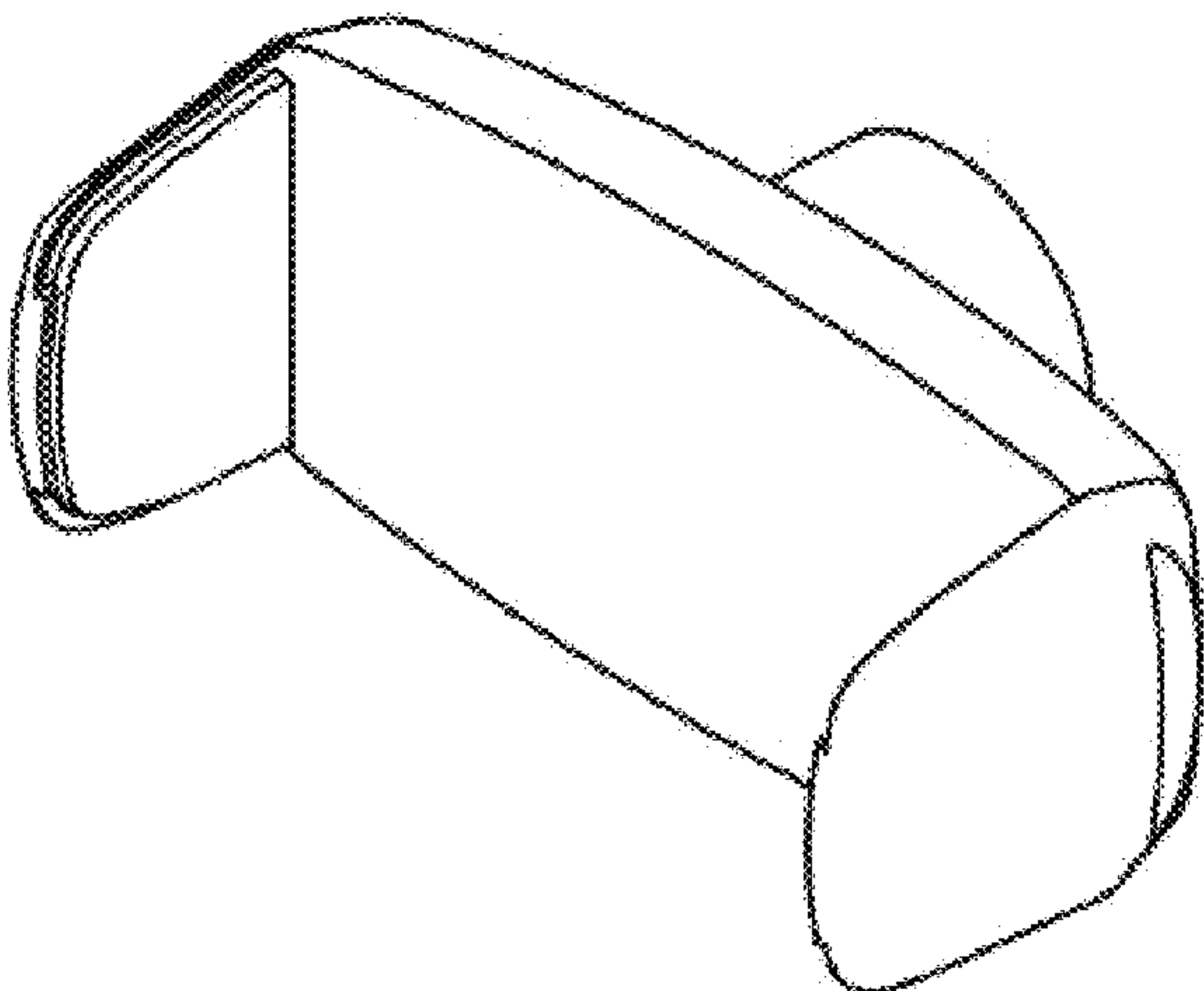
(57) **CLAIM**

The ornamental design for mobile holder, as shown and described.

DESCRIPTION

FIG. 1 is a perspective view of the top, front, and right side of the mobile holder of the present invention;
 FIG. 2 is a perspective view of the top, rear, and right side of the mobile holder of FIG. 1;
 FIG. 3 is a perspective view of a front and a right side of the mobile holder of FIG. 1;
 FIG. 4 is a perspective view of a front and a left side of the mobile holder of FIG. 1;
 FIG. 5 is a side view of the left side of the mobile holder of FIG. 1;
 FIG. 6 is a front view of the mobile holder of FIG. 1;
 FIG. 7 is a top view of the mobile holder of FIG. 1;
 FIG. 8 is a rear view of the mobile holder of FIG. 1;
 FIG. 9 is a side view of the right side of the mobile holder of FIG. 1;
 FIG. 10 is a bottom view of the mobile holder of FIG. 1;
 FIG. 11 is a front view of the holder of FIG. 1 with side arms extended;
 FIG. 12 is a perspective view of the top, front, and right side of the mobile holder of FIG. 1 with side arms extended;
 FIG. 13 is a perspective view of the top, front, and right side of the mobile holder of FIG. 1 shown in an environment of use; and,
 FIG. 14 is a perspective view of the top, rear, and right side of the mobile holder of FIG. 1 shown in an environment of use. The broken line showing of the mobile mount in FIGS. 13 and 14 depicts environmental subject matter only and forms no part of the claimed design.

1 Claim, 14 Drawing Sheets



(56)

References Cited

U.S. PATENT DOCUMENTS

D650,372 S *	12/2011	Molter	D14/239	D685,804 S *	7/2013	Richter	D14/447
8,091,843 B2 *	1/2012	Tsai	248/206.2	D708,603 S *	7/2014	Kim	D14/253
D654,054 S *	2/2012	Kohte et al.	D14/217	D711,867 S *	8/2014	Harris	D14/253
D654,119 S *	2/2012	Lin	D21/333	D712,394 S *	9/2014	Booth et al.	D14/253
D654,120 S *	2/2012	Lin	D21/333	D714,775 S *	10/2014	Yoo et al.	D14/253
D670,284 S *	11/2012	Choi	D14/253	D715,790 S *	10/2014	Conomos et al.	D14/253
D671,110 S *	11/2012	Choi	D14/253	D718,297 S *	11/2014	Aspinall et al.	D14/253
D683,724 S *	6/2013	Wada	D14/251	D718,298 S *	11/2014	Aspinall et al.	D14/253
D685,379 S *	7/2013	Richter	D14/447	D721,074 S *	1/2015	Harris	D14/253
				2002/0191782 A1 *	12/2002	Beger et al.	379/454
				2005/0236536 A1 *	10/2005	Fan	248/176.3
				2014/0145051 A1 *	5/2014	Gwag	248/298.1

* cited by examiner

Fig. 1

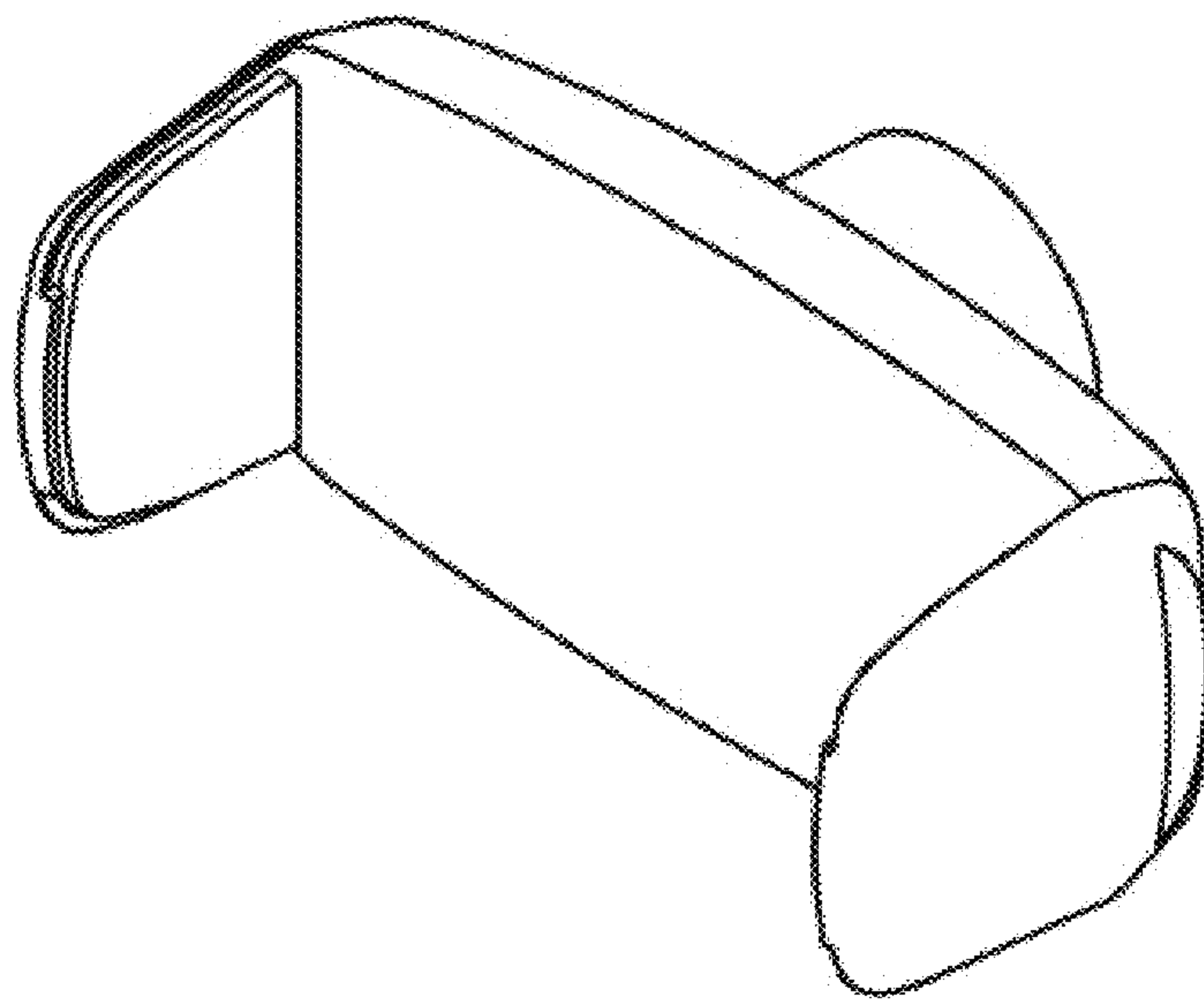


Fig. 2

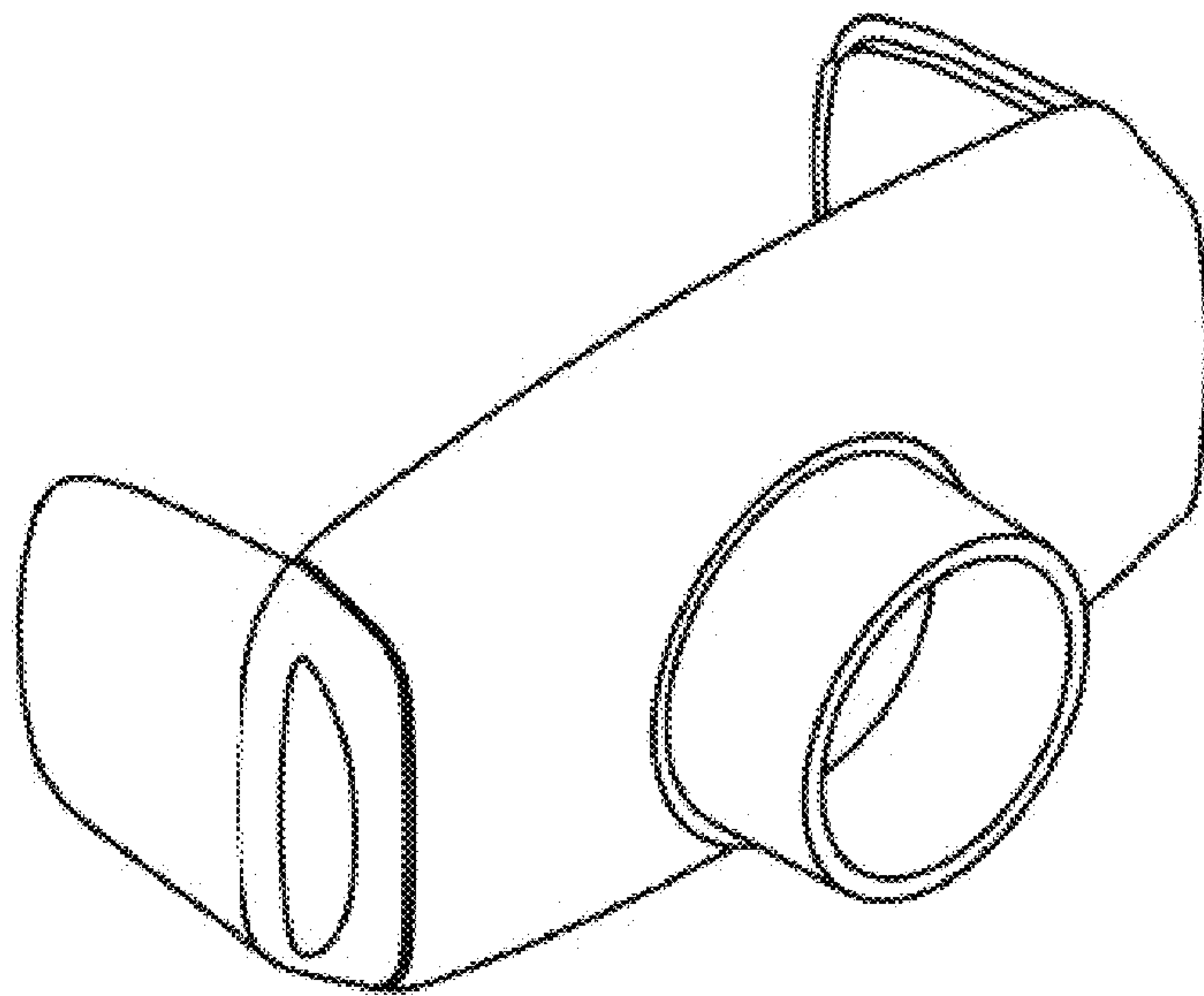


Fig. 3

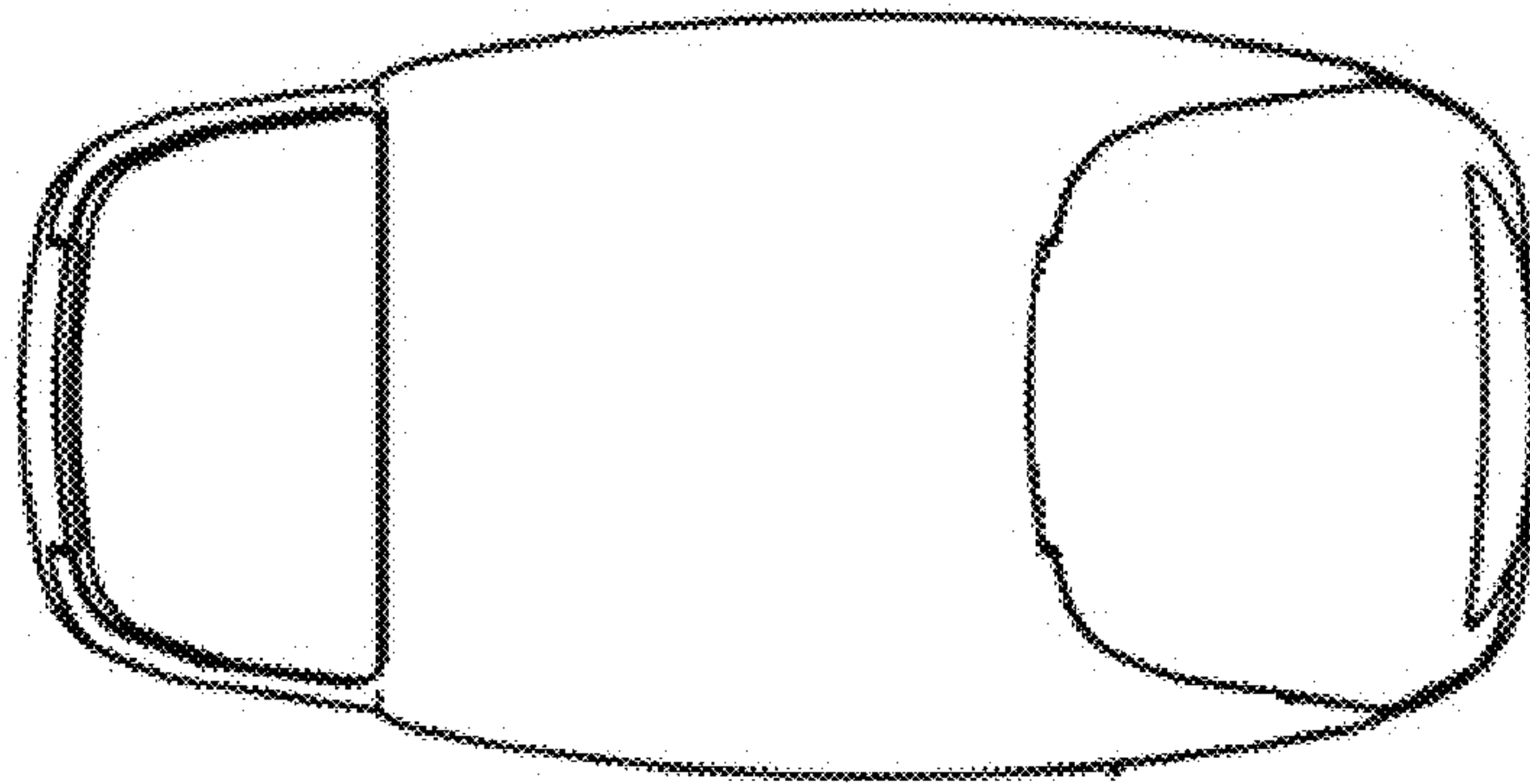


Fig. 4

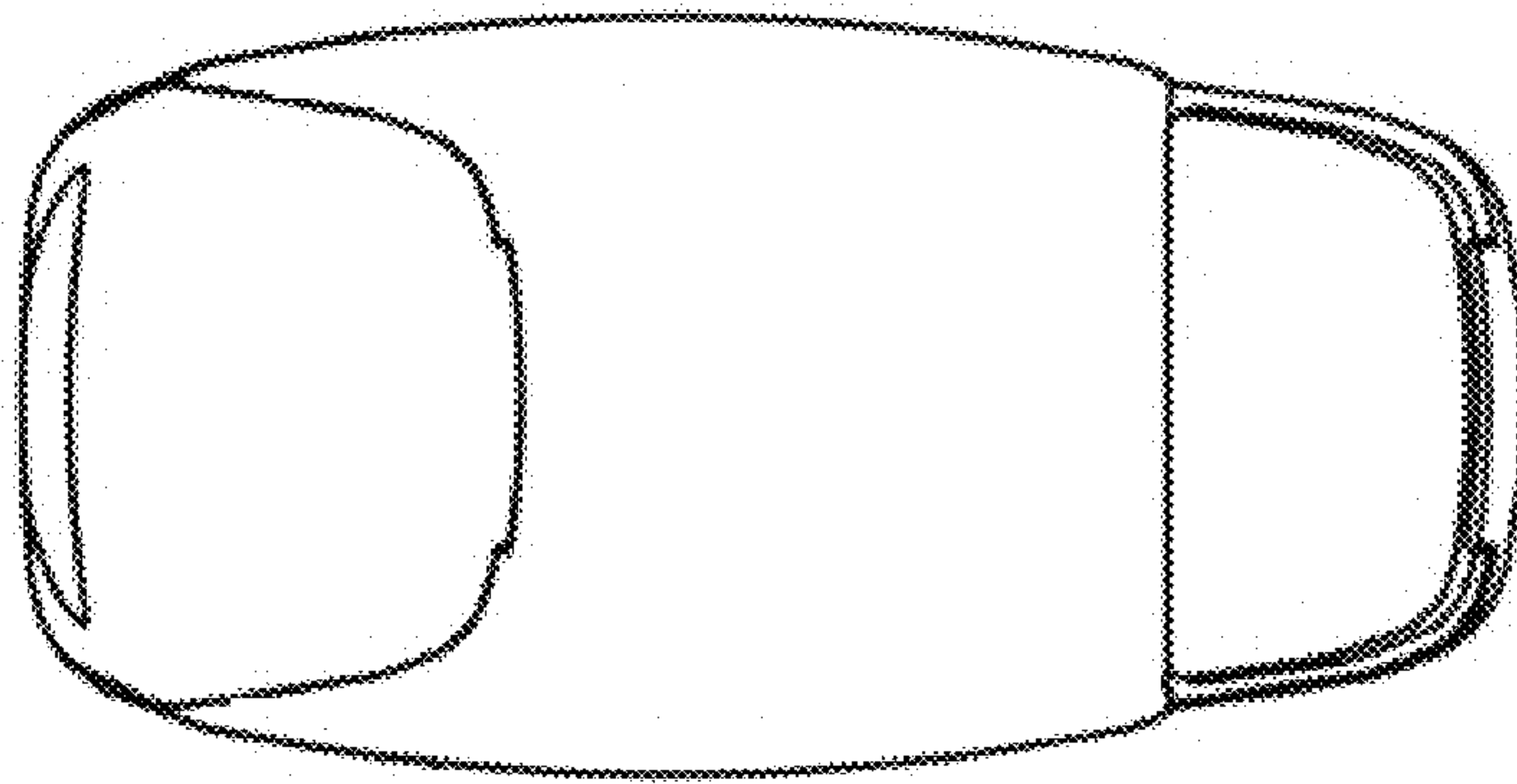


Fig. 5

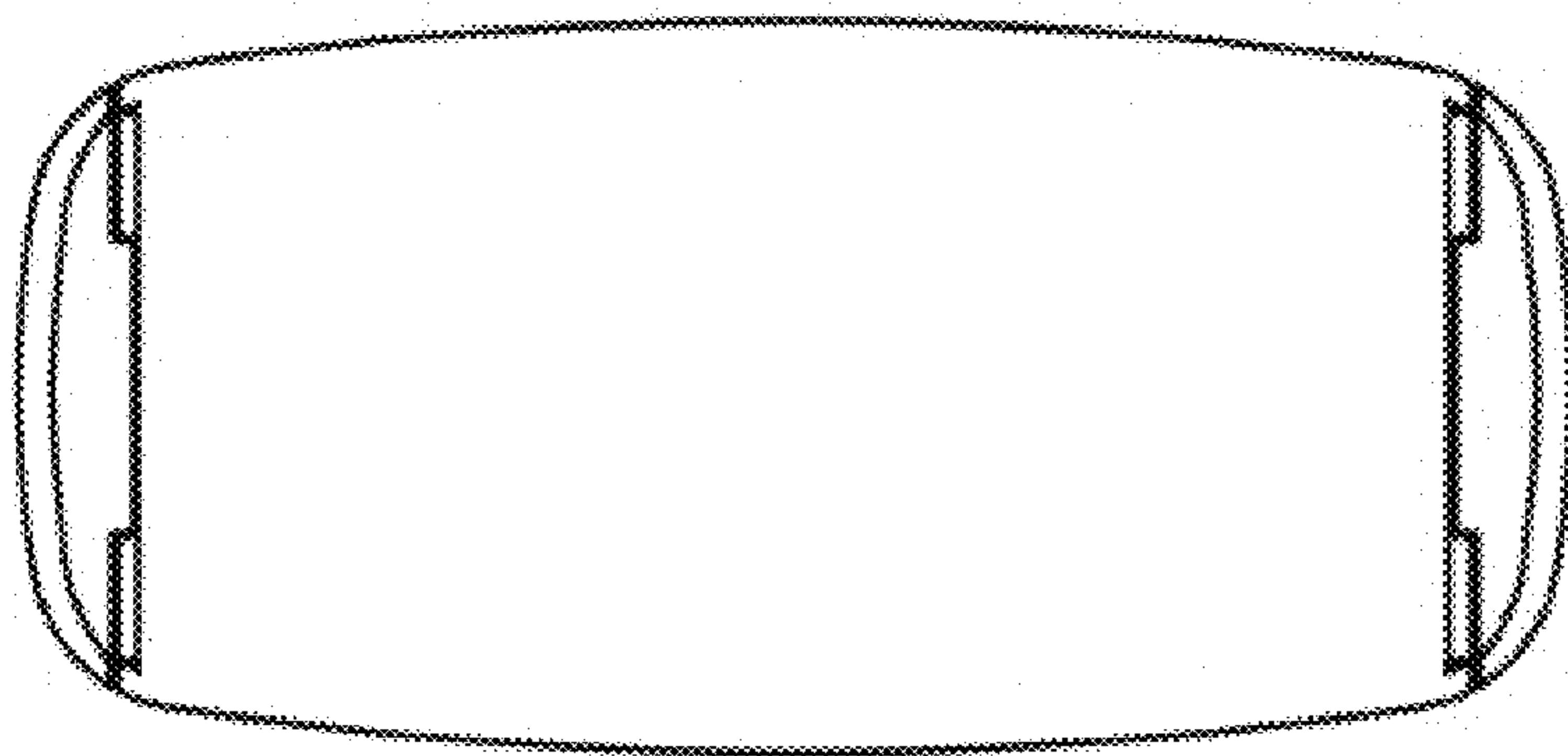


Fig. 6

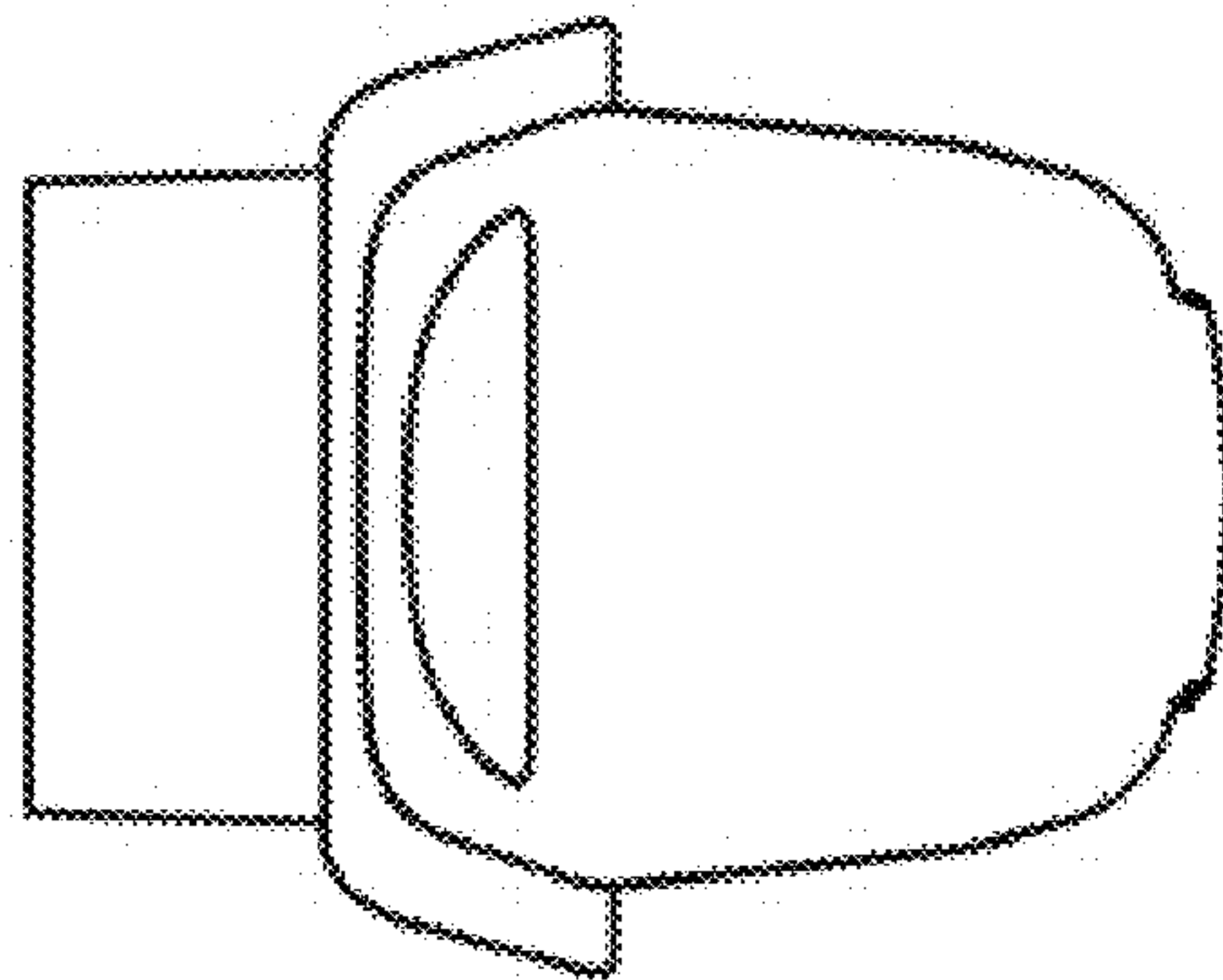


Fig. 7

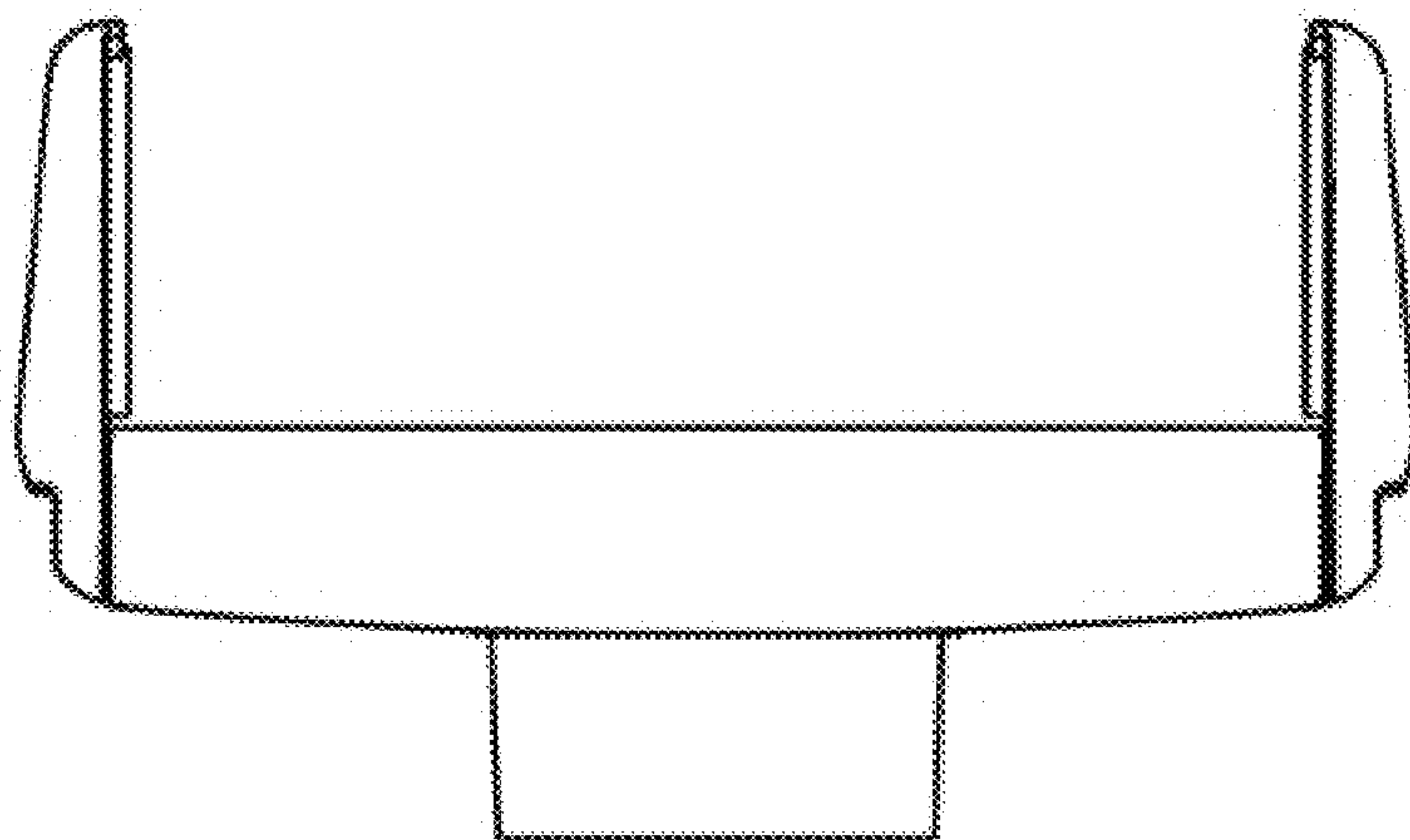


Fig. 8

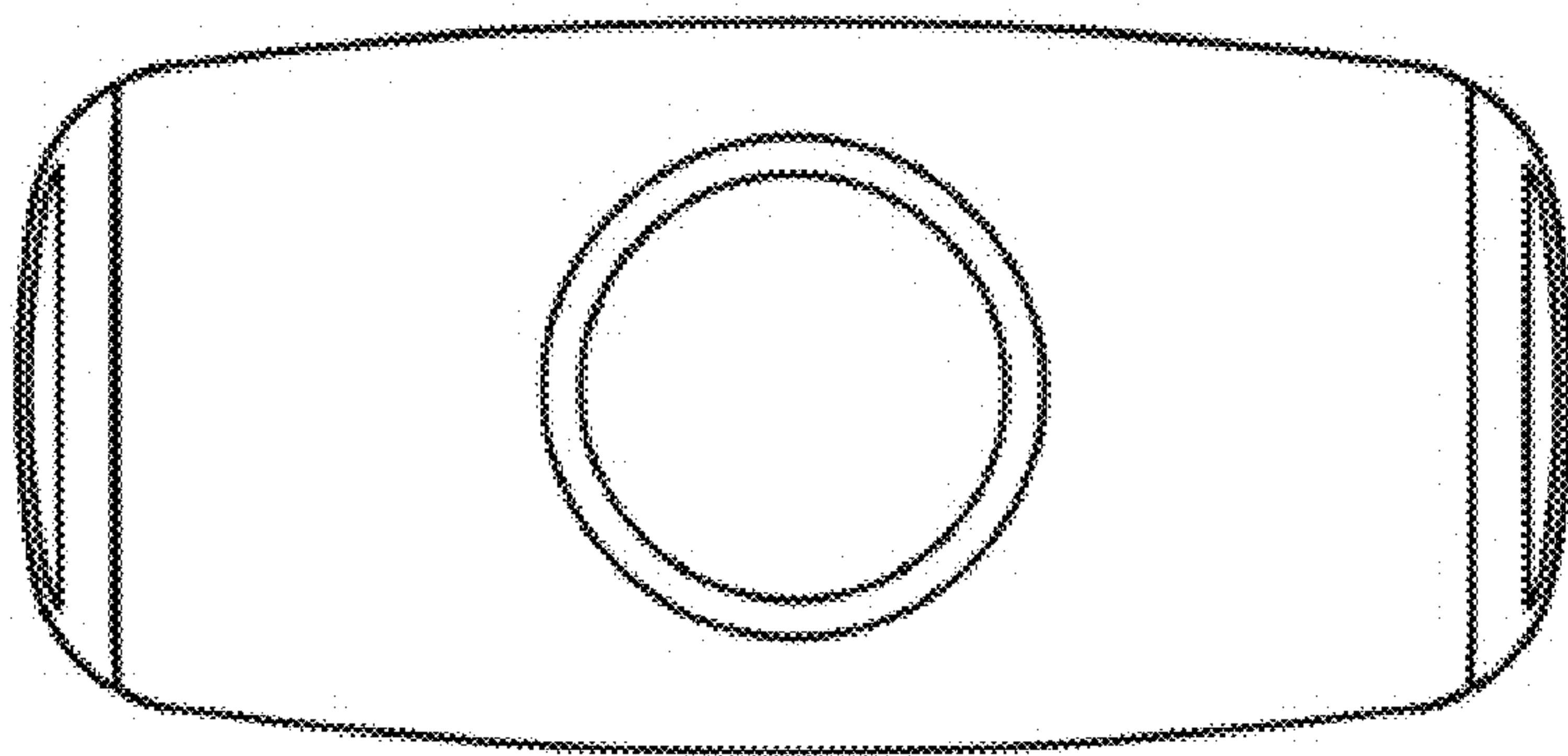


Fig. 9

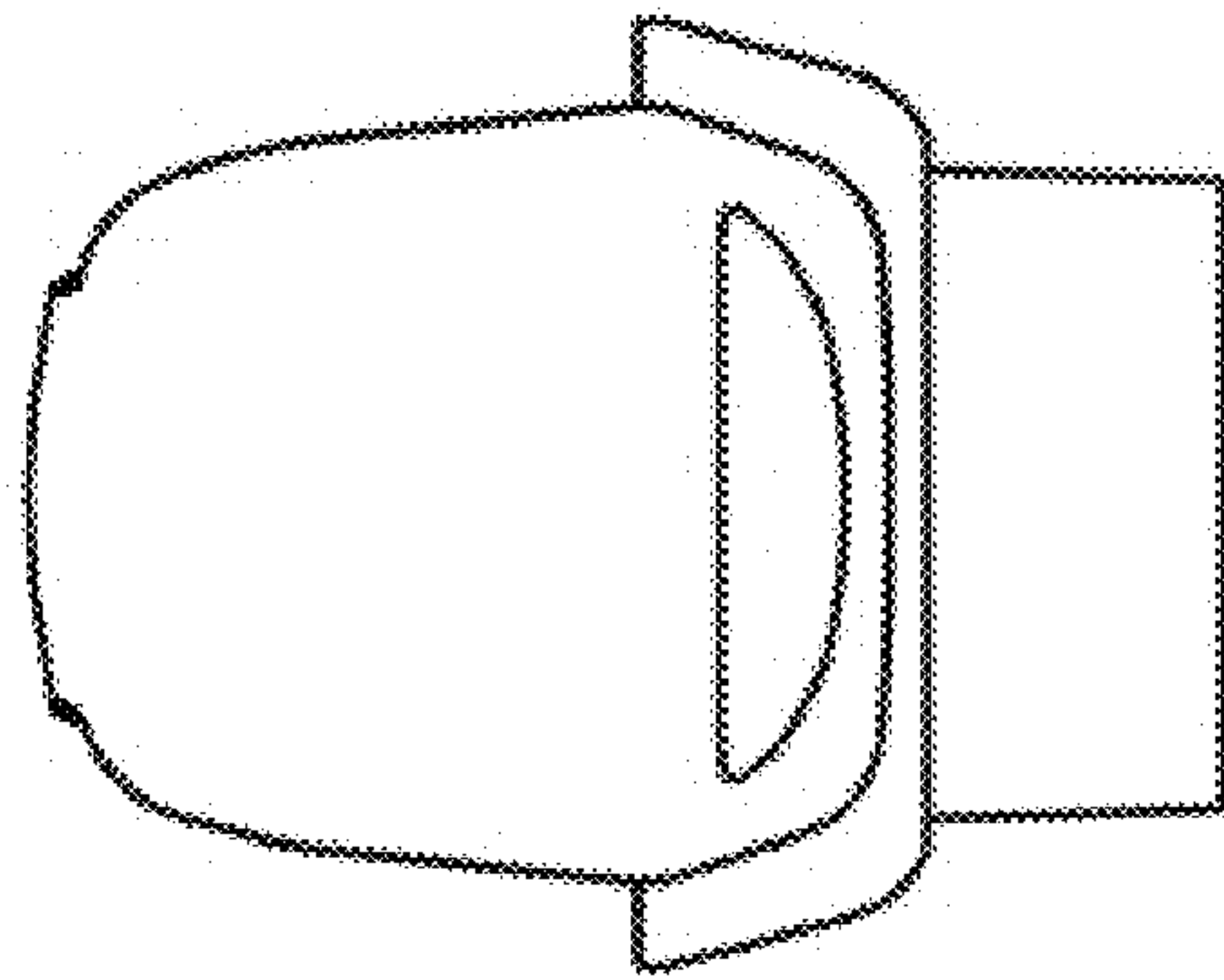


Fig. 10

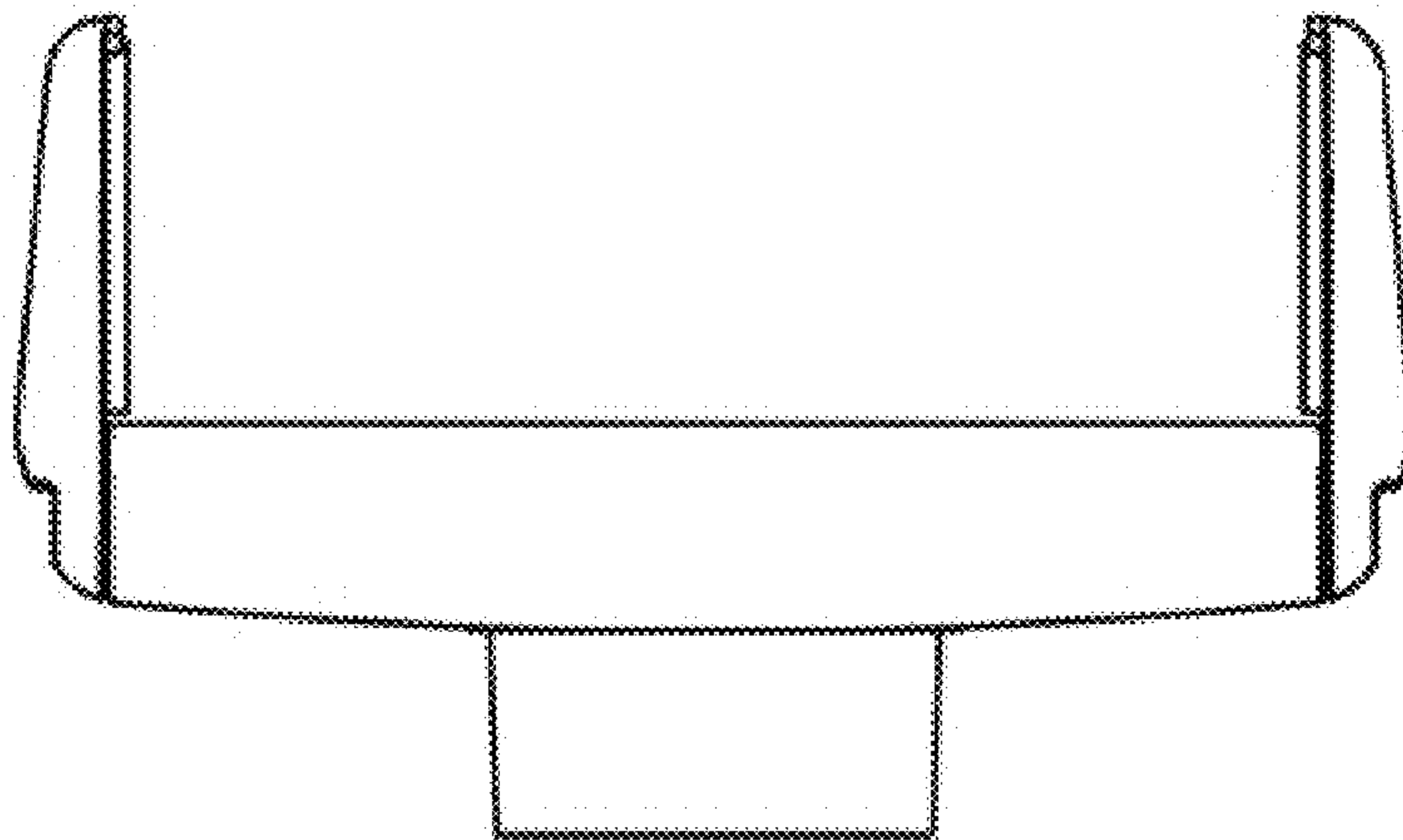


Fig. 11

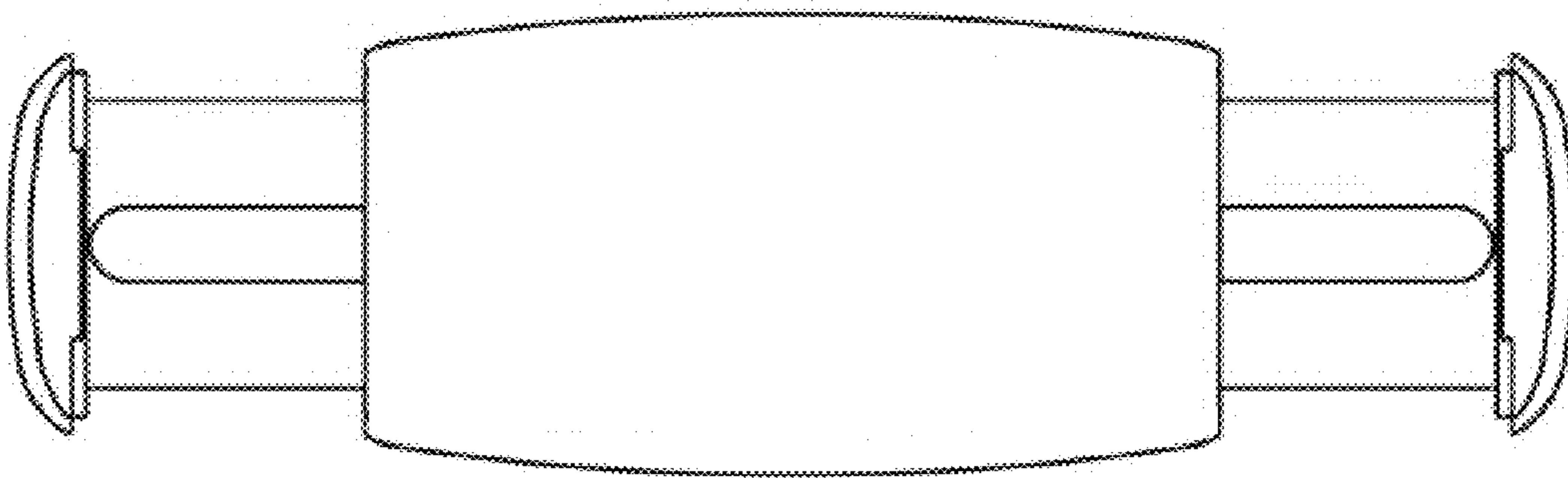


Fig. 12

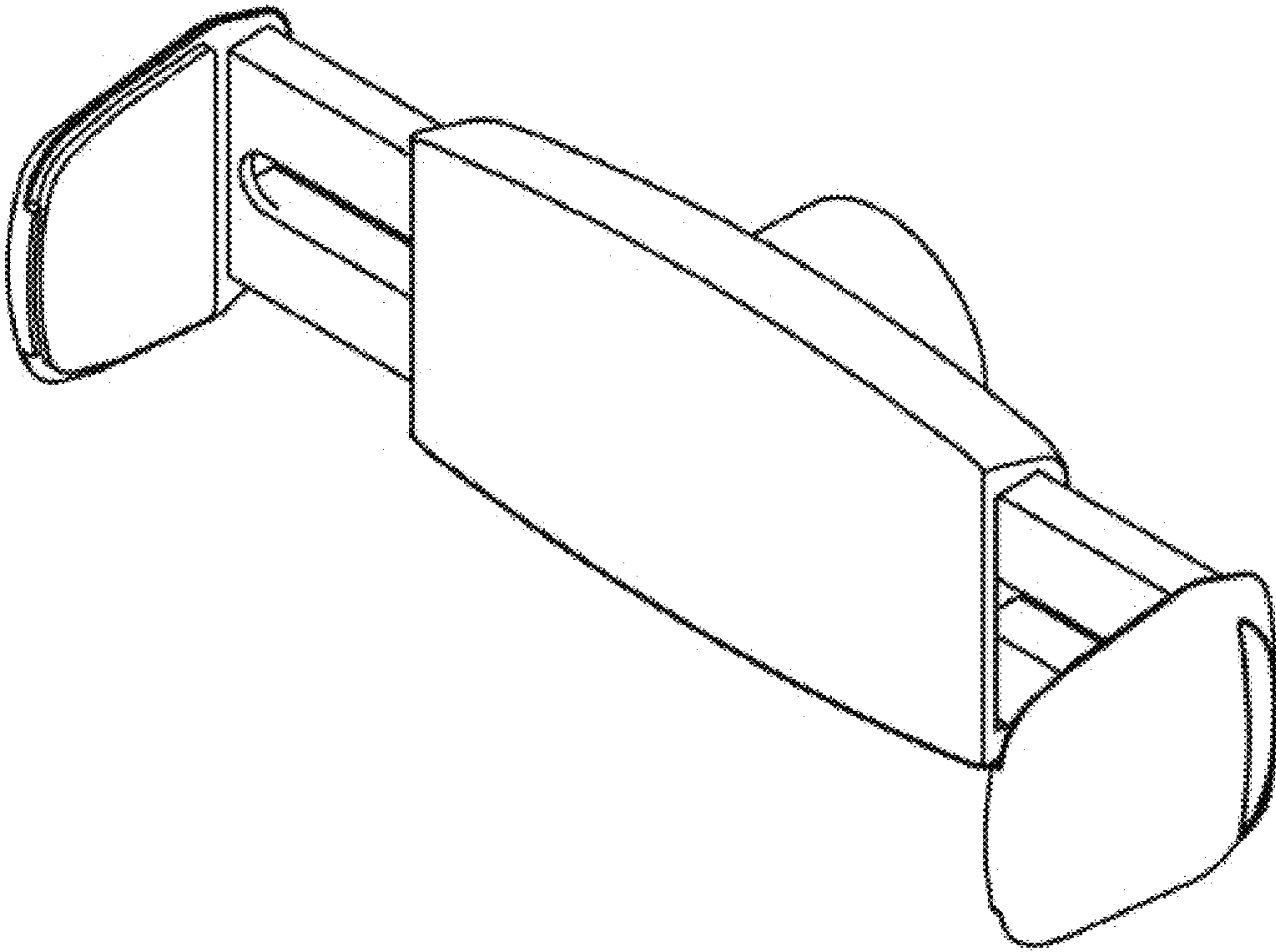


Fig. 13

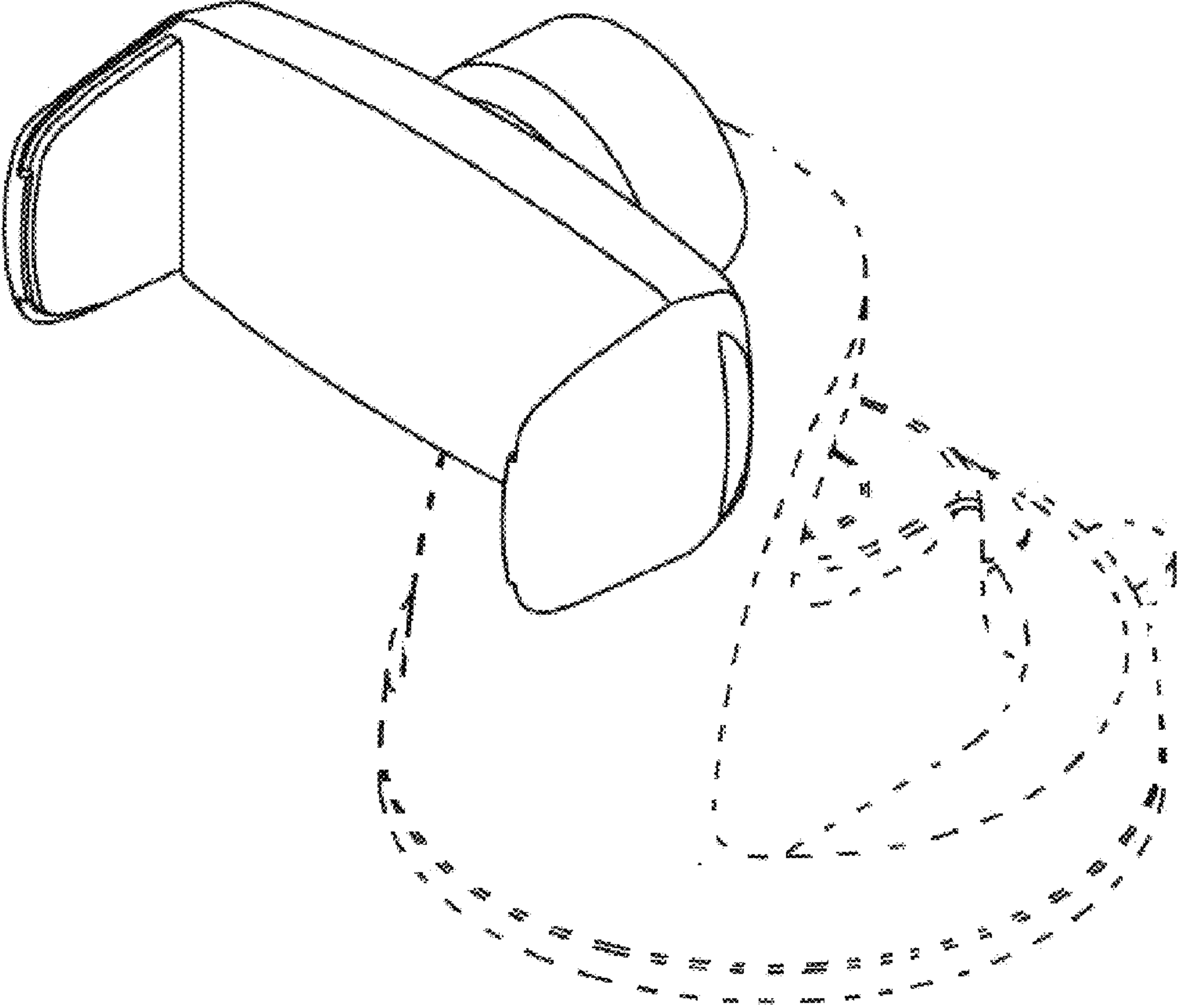


Fig. 14

