

US00D733114S

(12) **United States Design Patent**
Dobben

(10) **Patent No.:** **US D733,114 S**
(45) **Date of Patent:** **** Jun. 30, 2015**

(54) **COVER PLATE STORAGE DEVICE**

(71) Applicant: **Randel J. Dobben**, Caledonia, MI (US)

(72) Inventor: **Randel J. Dobben**, Caledonia, MI (US)

(**) Term: **14 Years**

(21) Appl. No.: **29/473,100**

(22) Filed: **Nov. 19, 2013**

(51) **LOC (10) Cl.** **14-03**

(52) **U.S. Cl.**
USPC **D14/251**; D8/350

(58) **Field of Classification Search**
USPC D8/349, 350, 353; D14/217, 252, 251,
D14/253; D13/177, 108; 248/301, 304;
174/66, 67; 220/241

See application file for complete search history.

(56) **References Cited**

U.S. PATENT DOCUMENTS

1,816,049	A *	7/1931	Larner	206/496
D141,423	S *	5/1945	Lewis	D6/573
3,113,996	A *	12/1963	Sanford	174/67
D241,895	S *	10/1976	Forbes	D6/475
4,339,045	A	7/1982	Bodin	
D280,466	S *	9/1985	Seltzer et al.	D12/422
4,921,444	A	5/1990	Cama	
D323,285	S *	1/1992	Thomson	D8/372
D340,622	S *	10/1993	Park et al.	D7/620
D402,271	S *	12/1998	Weinberg	D13/177
D402,272	S *	12/1998	Mezey	D13/177

D405,347	S *	2/1999	Mezey	D8/353
D416,908	S	11/1999	Whisenant	
6,130,384	A	10/2000	Esteves et al.	
6,969,803	B1	11/2005	Friedberg	
7,067,737	B2	6/2006	Mallen	
D527,728	S *	9/2006	Sbordon, Jr.	D14/253
D549,171	S	8/2007	Sbordon, Jr.	
D564,860	S	3/2008	Levin et al.	
7,528,323	B2	5/2009	Wu et al.	
D645,902	S *	9/2011	Tsai	D19/90
D653,522	S *	2/2012	Anzalone et al.	D8/353
D689,045	S *	9/2013	Mardas	D14/253

* cited by examiner

Primary Examiner — Mark Goodwin

(74) *Attorney, Agent, or Firm* — Dale J. Ream

(57) **CLAIM**

The ornamental design for a cover plate storage device, as shown and described.

DESCRIPTION

FIG. 1 is a perspective view of a cover plate storage device showing my new design;

FIG. 2 is a front view thereof;

FIG. 3 is a back view thereof;

FIG. 4 is a left side view thereof;

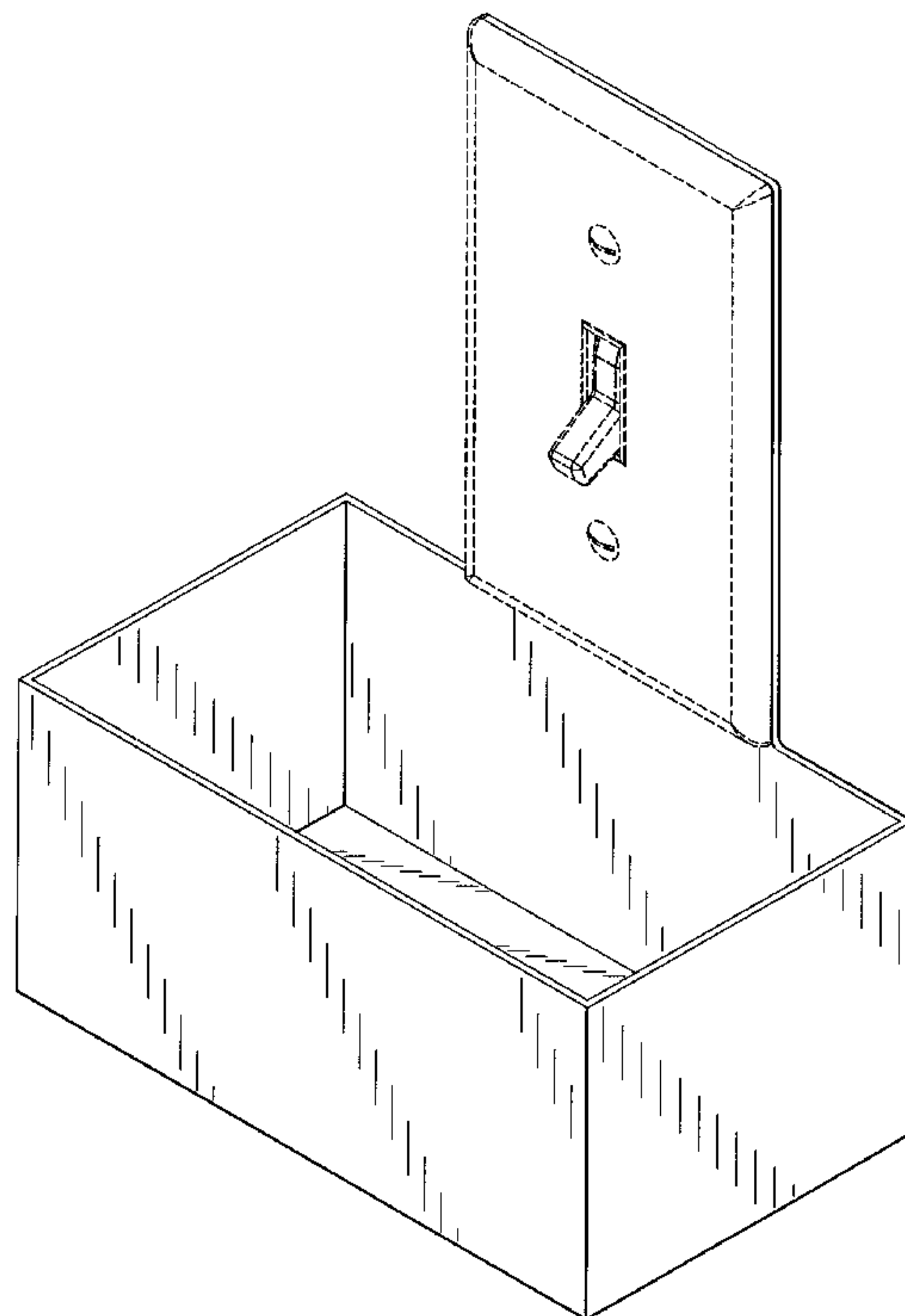
FIG. 5 is a right side view thereof;

FIG. 6 is a top view thereof; and,

FIG. 7 is a bottom view thereof.

In the drawings, the broken lines showing an outlet cover plate illustrate environment and form no part of the claimed design.

1 Claim, 5 Drawing Sheets



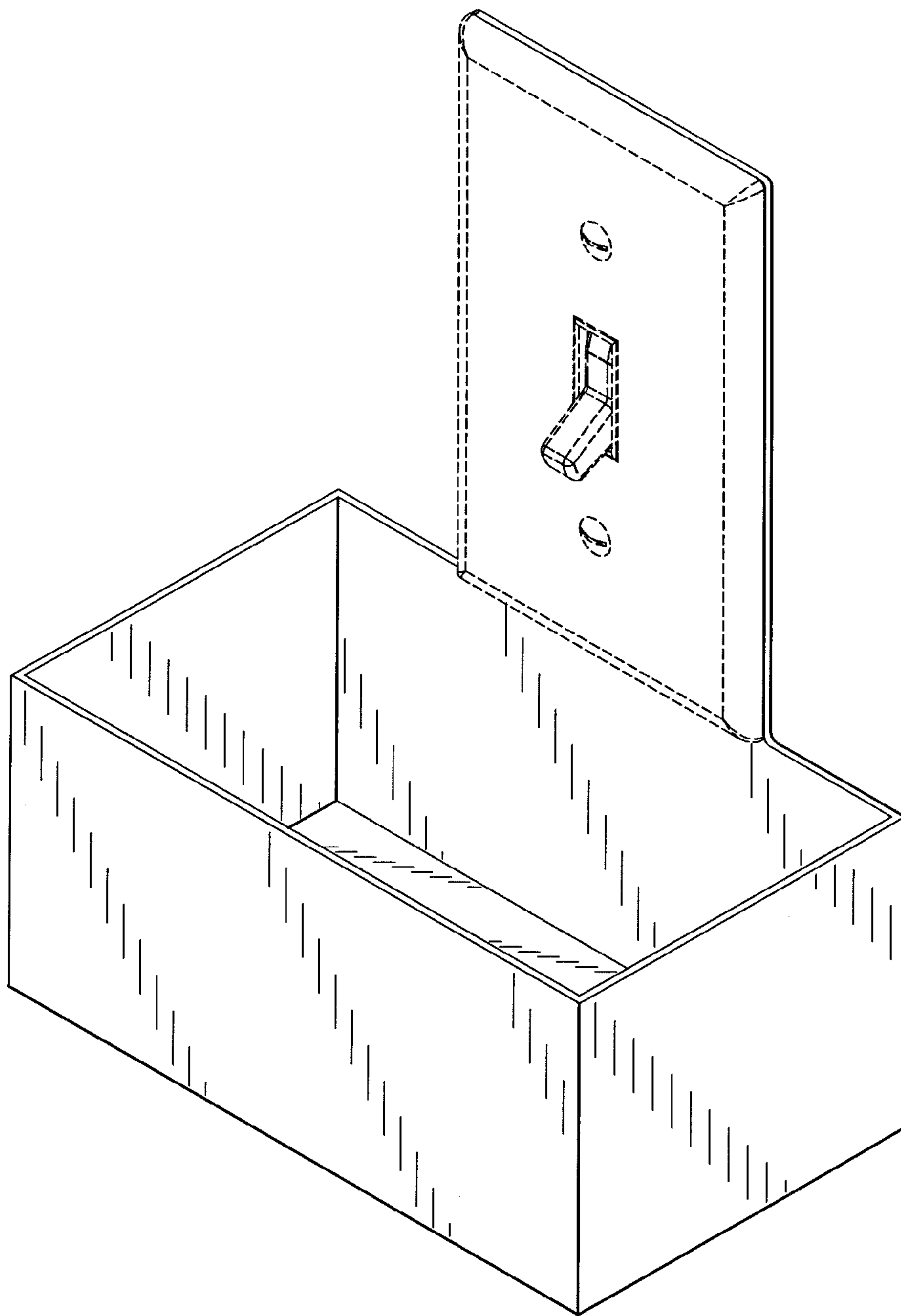


FIG. 1

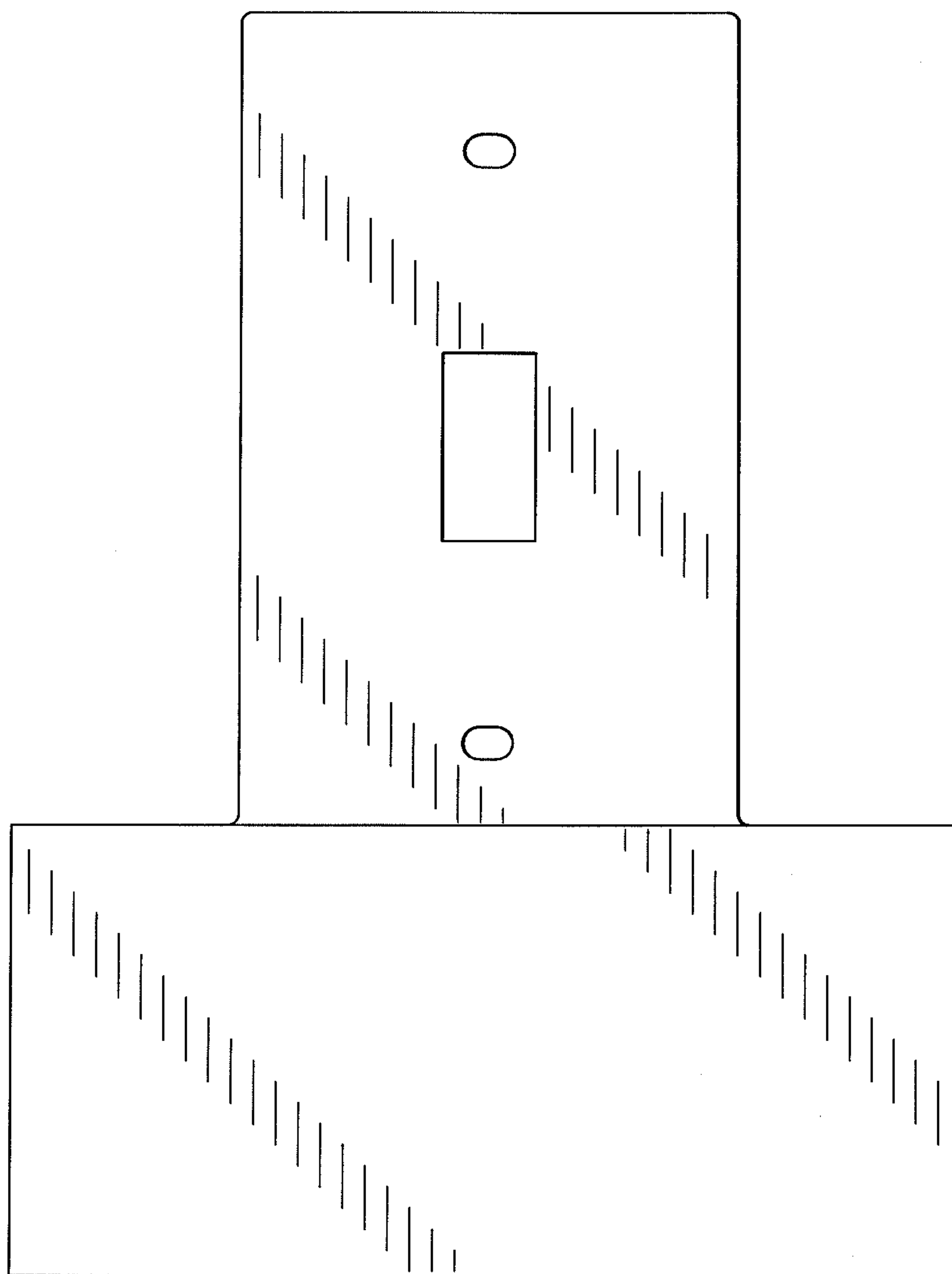


FIG. 2

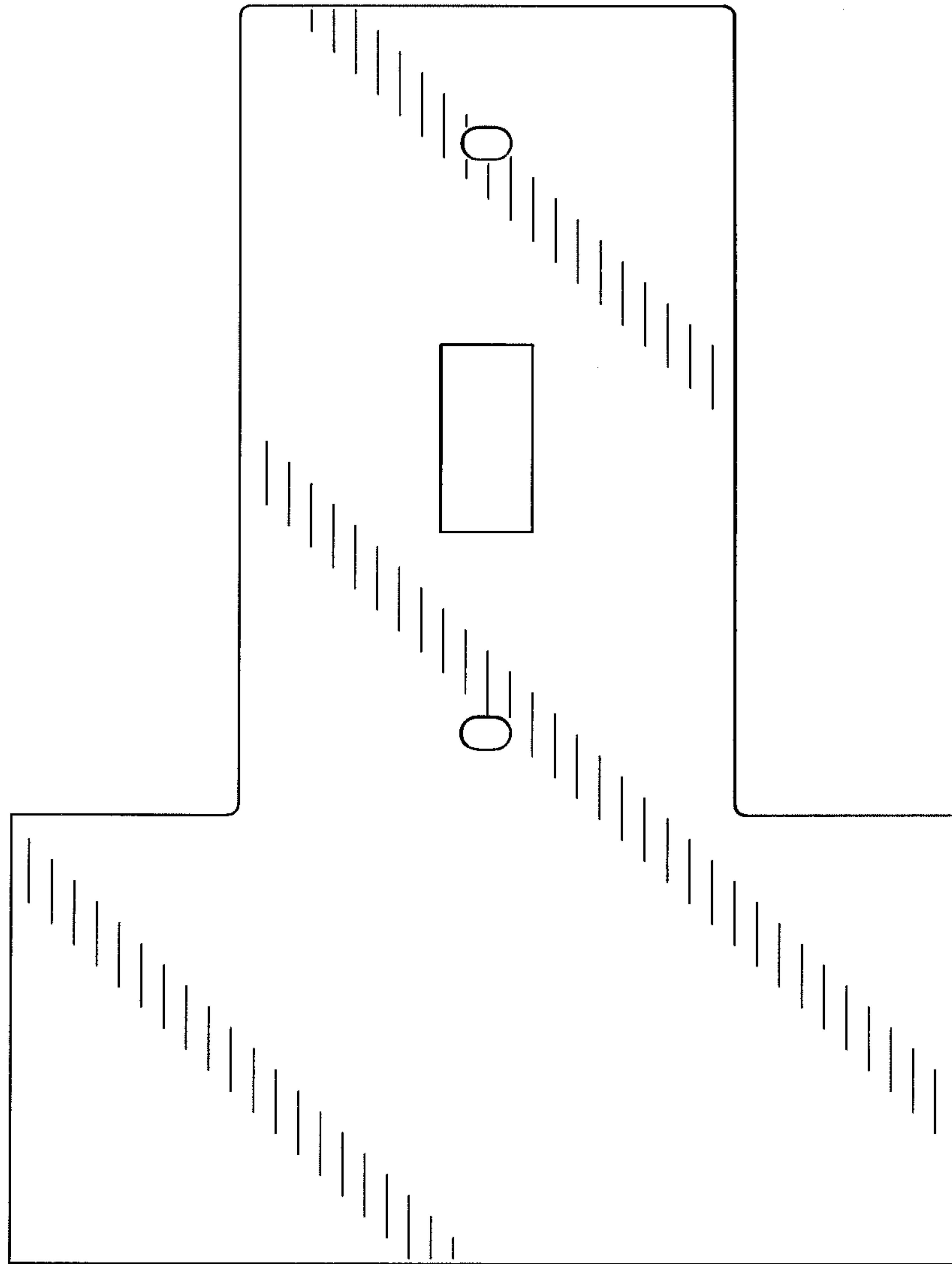


FIG. 3

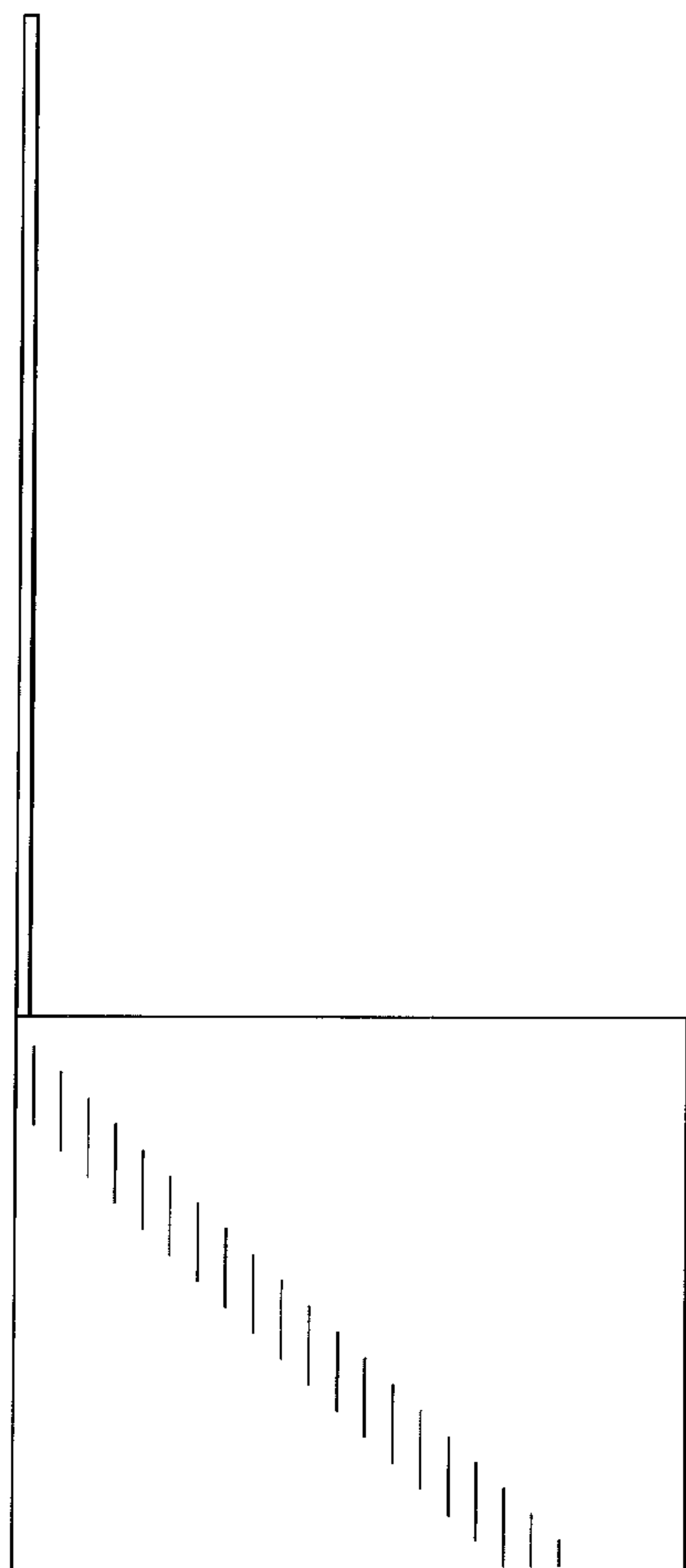


FIG. 4

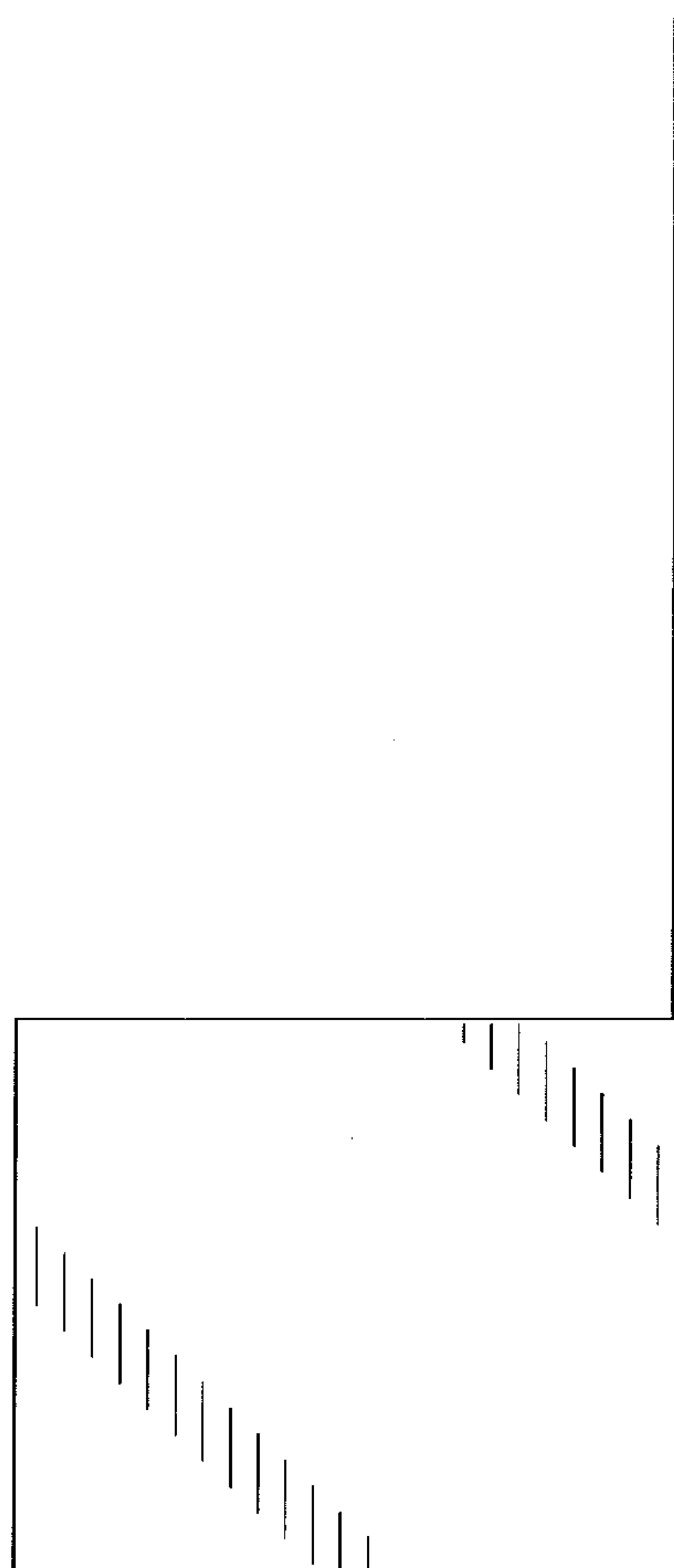


FIG. 5

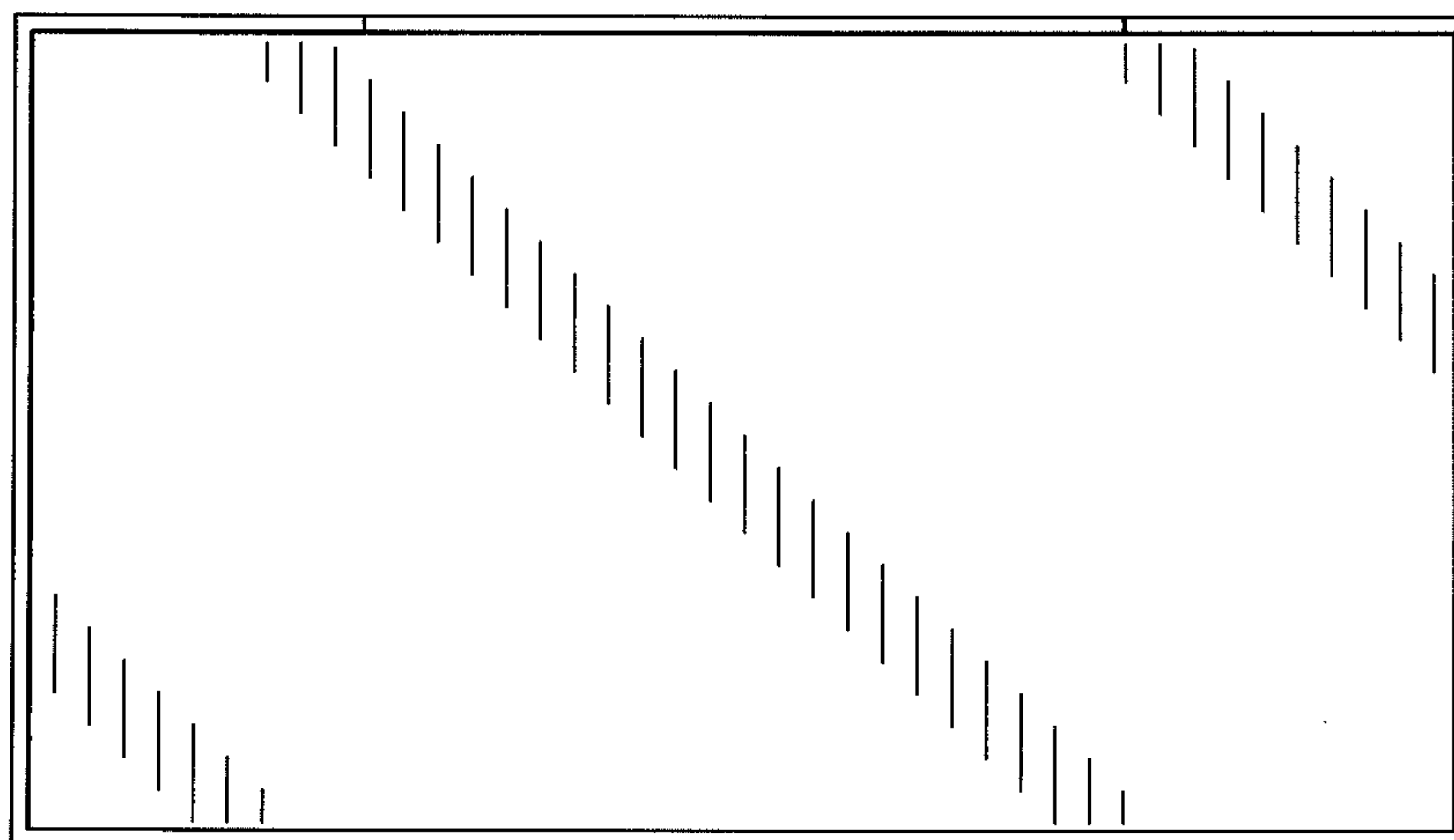


FIG. 6

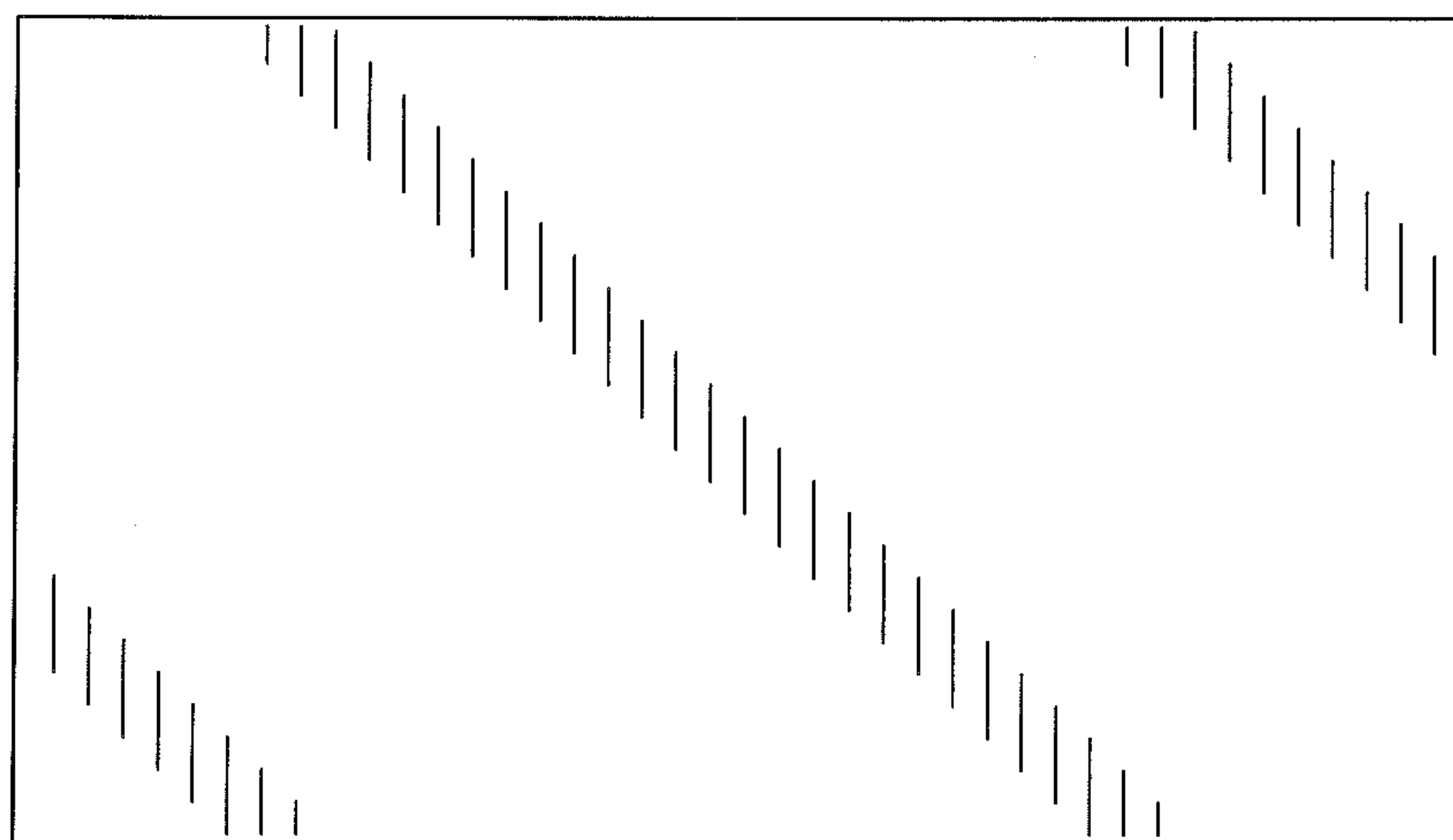


FIG. 7