



US00D733113S

(12) **United States Design Patent**  
**Krantz**

(10) **Patent No.:** **US D733,113 S**  
(45) **Date of Patent:** **\*\* Jun. 30, 2015**

(54) **HOLDER FOR A MOBILE DEVICE**

(71) Applicant: **Christian Krantz**, Ingolstadt (DE)

(72) Inventor: **Christian Krantz**, Ingolstadt (DE)

(\*\*) Term: **14 Years**

(21) Appl. No.: **29/455,429**

(22) Filed: **May 21, 2013**

(30) **Foreign Application Priority Data**

Nov. 22, 2012 (DE) ..... 40 2012 101 009

(51) **LOC (10) Cl.** ..... **14-03**

(52) **U.S. Cl.**  
USPC ..... **D14/251**

(58) **Field of Classification Search**  
USPC ..... D14/251-253, 146, 224, 434, 447;  
D6/553; 248/205.2, 205.8, 206.2,  
248/274.1, 371, 917; 379/426, 446,  
379/454-455, 575.1, 575.2, 575.6, 575.9,  
379/90.3; 224/282, 482-483

See application file for complete search history.

(56) **References Cited**

U.S. PATENT DOCUMENTS

D442,966	S	*	5/2001	Cabric	.....	D14/447
6,246,766	B1	*	6/2001	Walsh	.....	379/455
6,425,560	B1	*	7/2002	Dembowiak et al.	.....	248/206.5
6,522,748	B1	*	2/2003	Wang	.....	379/446
D487,270	S	*	3/2004	Richter	.....	D14/447
D683,724	S	*	6/2013	Wada	.....	D14/251
8,857,687	B1	*	10/2014	An	.....	224/482
D718,295	S	*	11/2014	Fan	.....	D14/251

\* cited by examiner

*Primary Examiner* — Catheri Oliver-Garcia

(74) *Attorney, Agent, or Firm* — Manelli Selter PLLC;  
Edward J. Stemberger

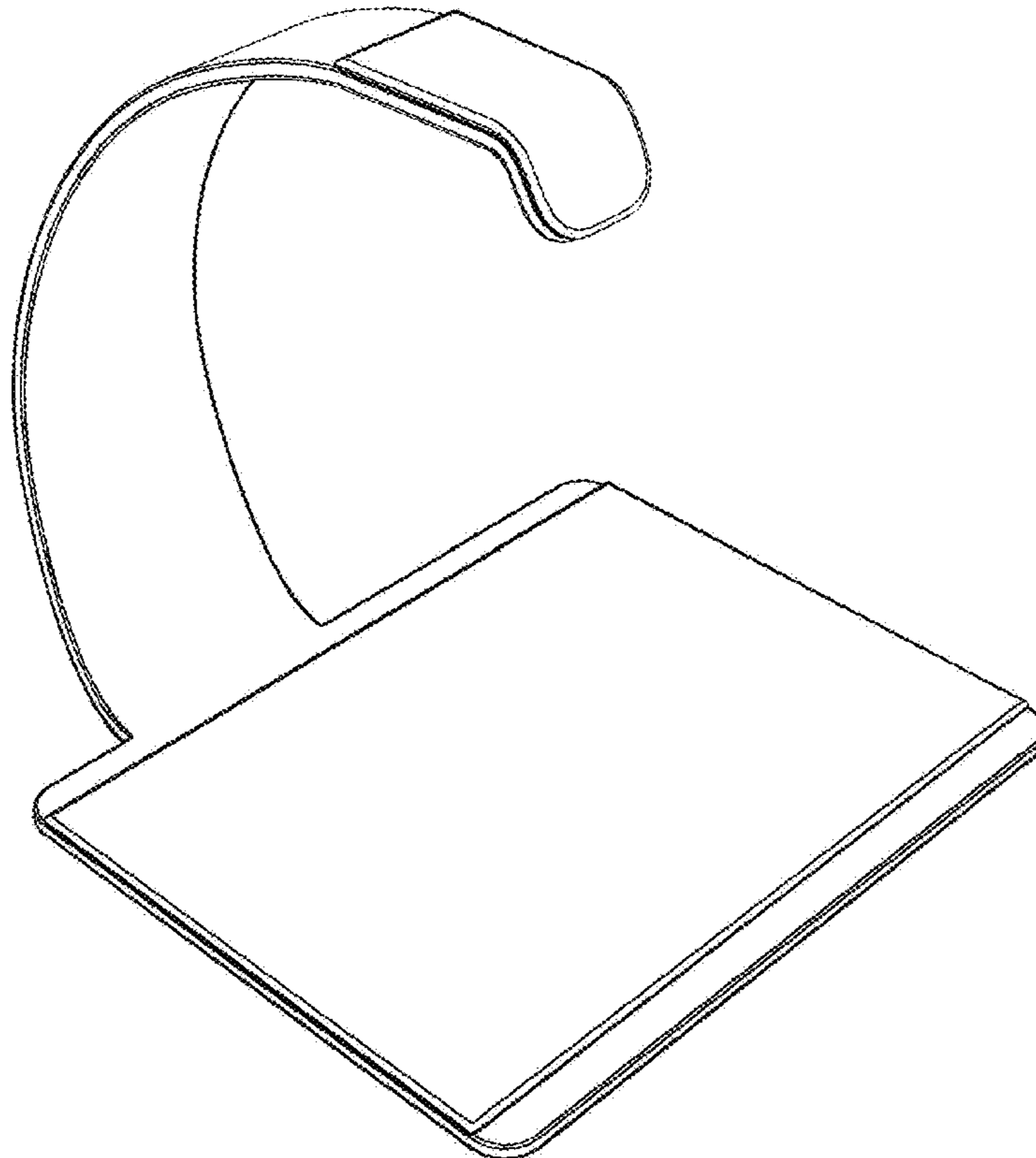
(57) **CLAIM**

The ornamental design for a holder for a mobile device, as shown.

**DESCRIPTION**

FIG. 1 is a top view of a holder for a mobile device in accordance with the invention;  
FIG. 2 is a bottom view thereof;  
FIG. 3 is a rear view thereof;  
FIG. 4 is a front view thereof;  
FIG. 5 is a left side view thereof;  
FIG. 6 is a right side view thereof; and,  
FIG. 7 is a front perspective view thereof.

**1 Claim, 7 Drawing Sheets**



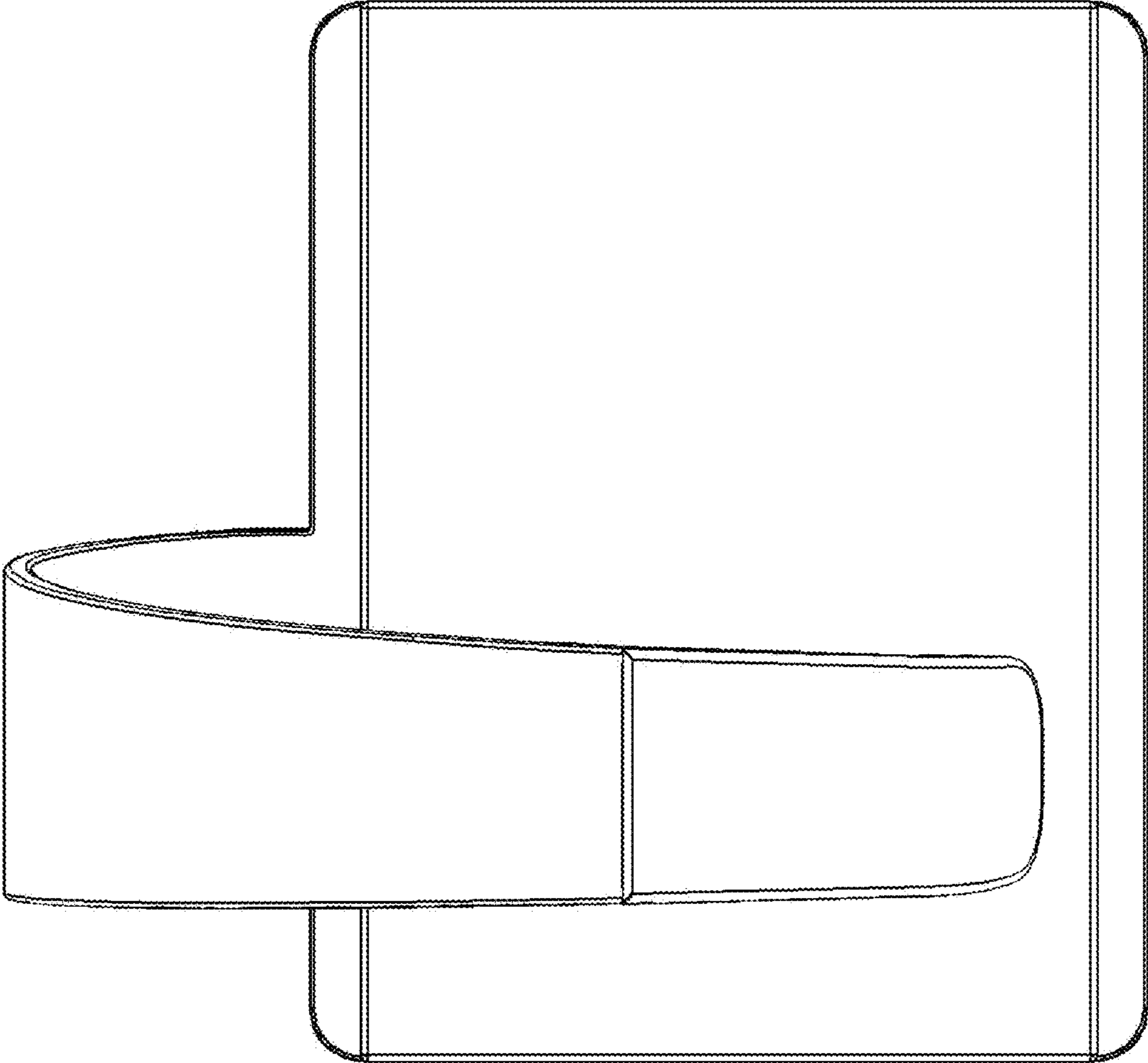


FIG. 1

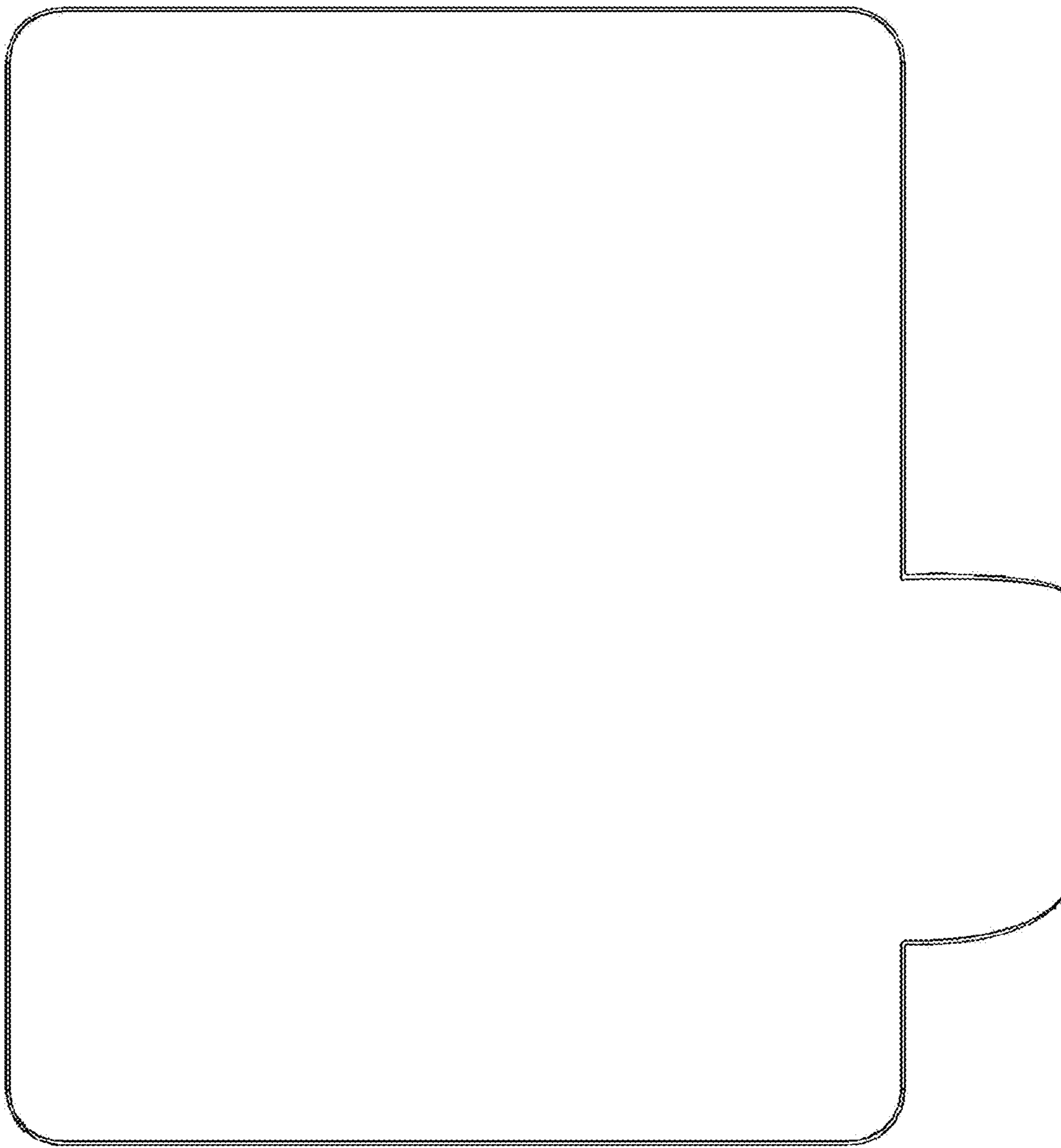


FIG. 2

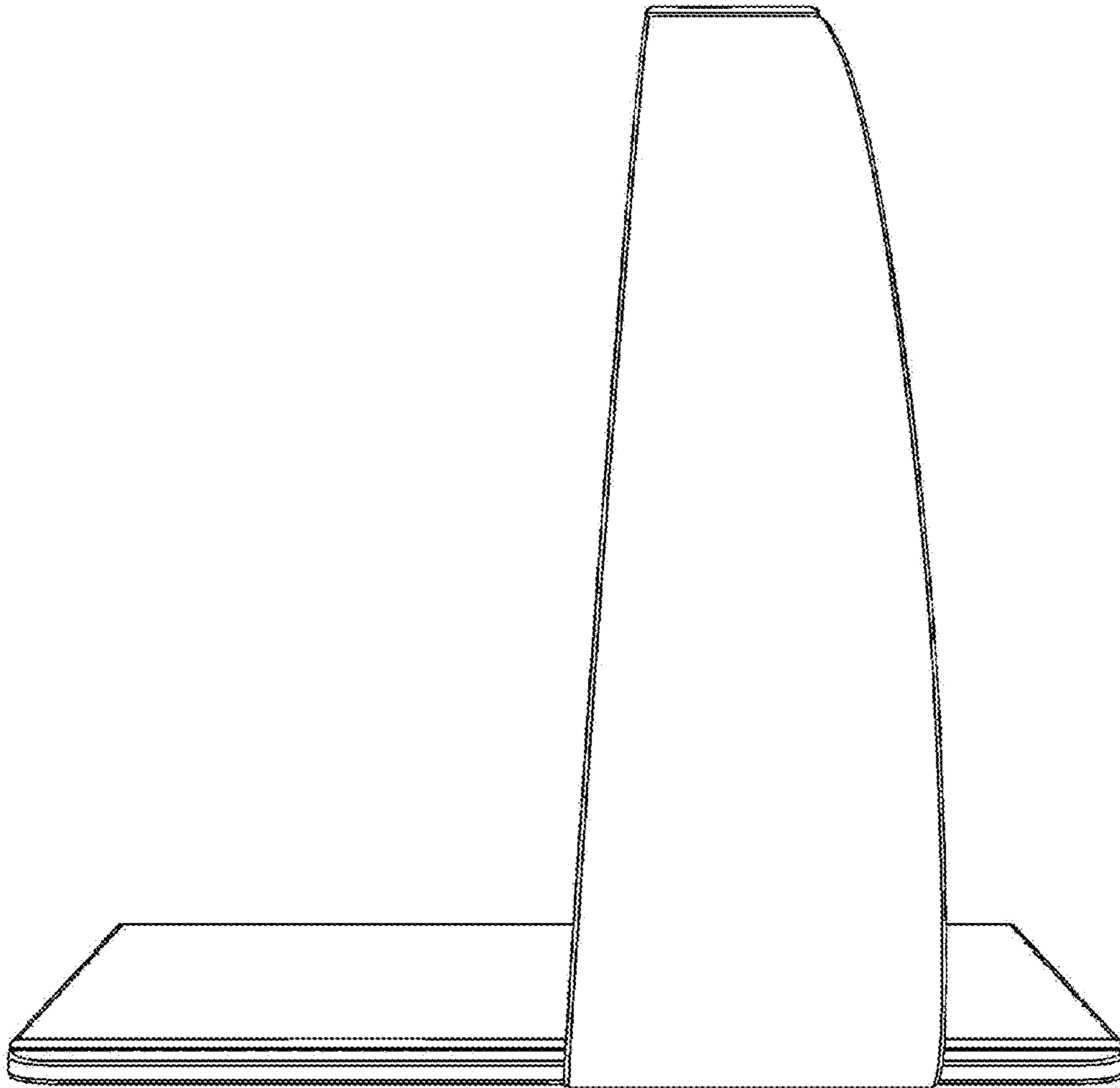


FIG. 3

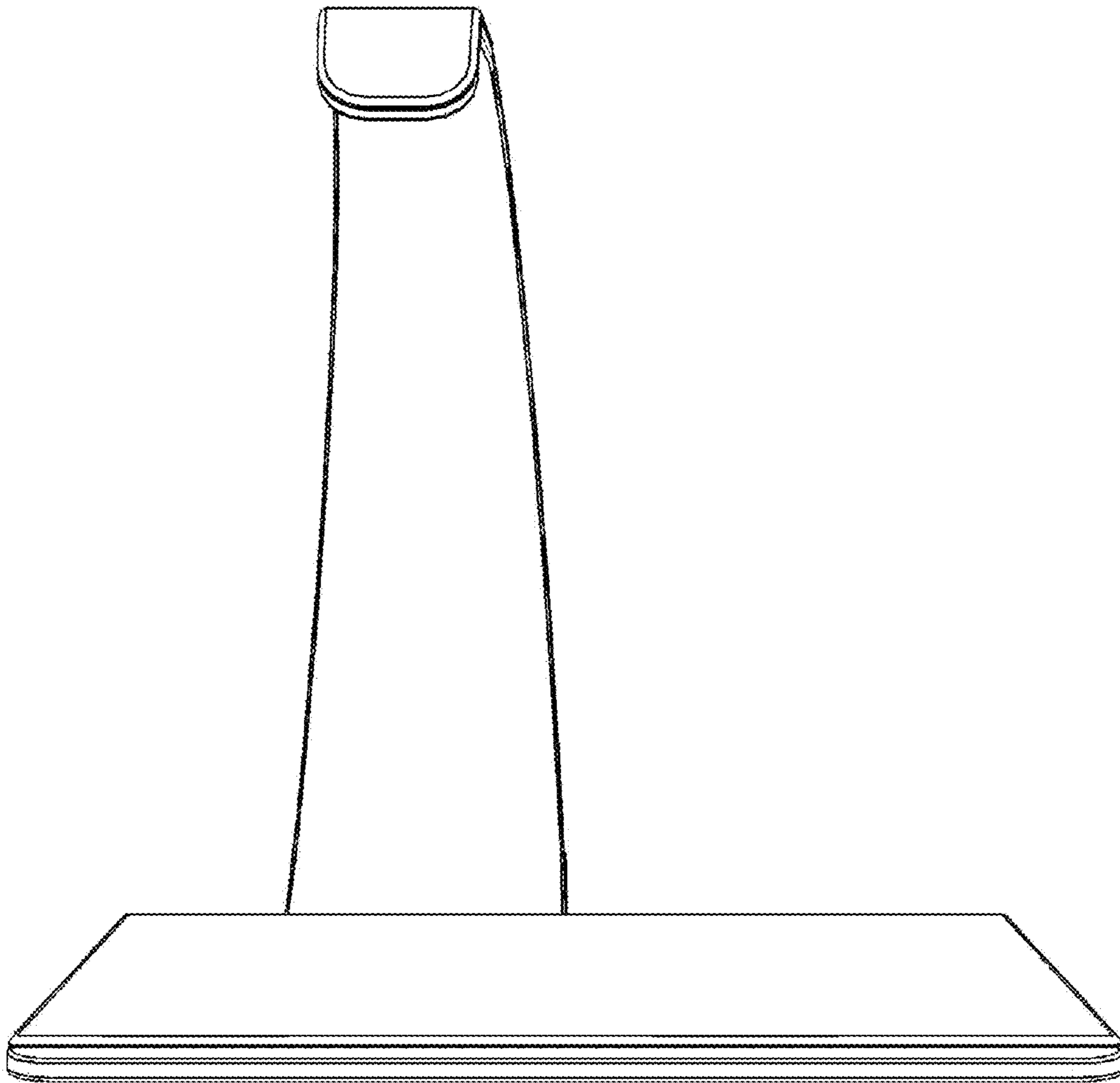


FIG. 4

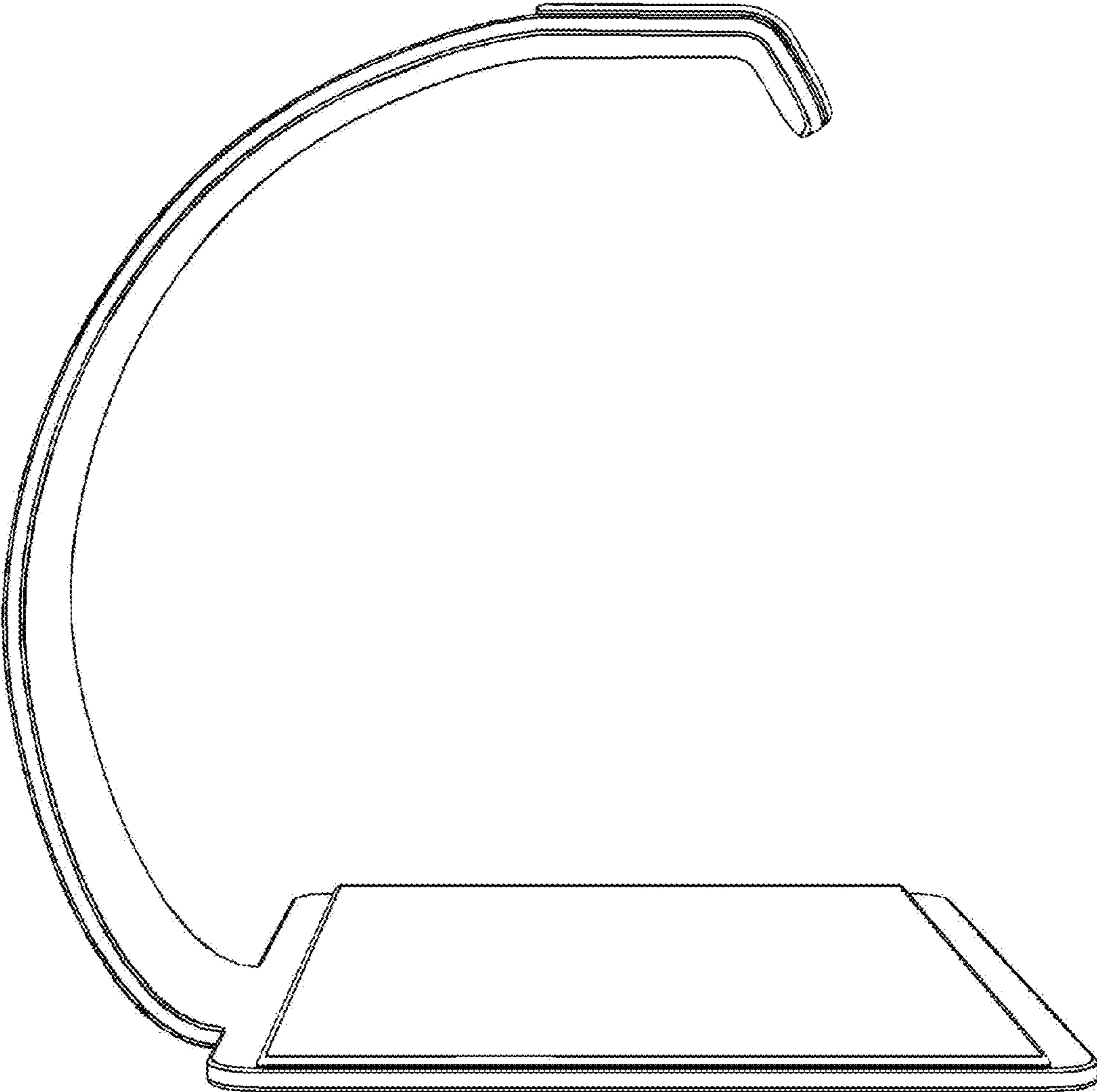


FIG. 5

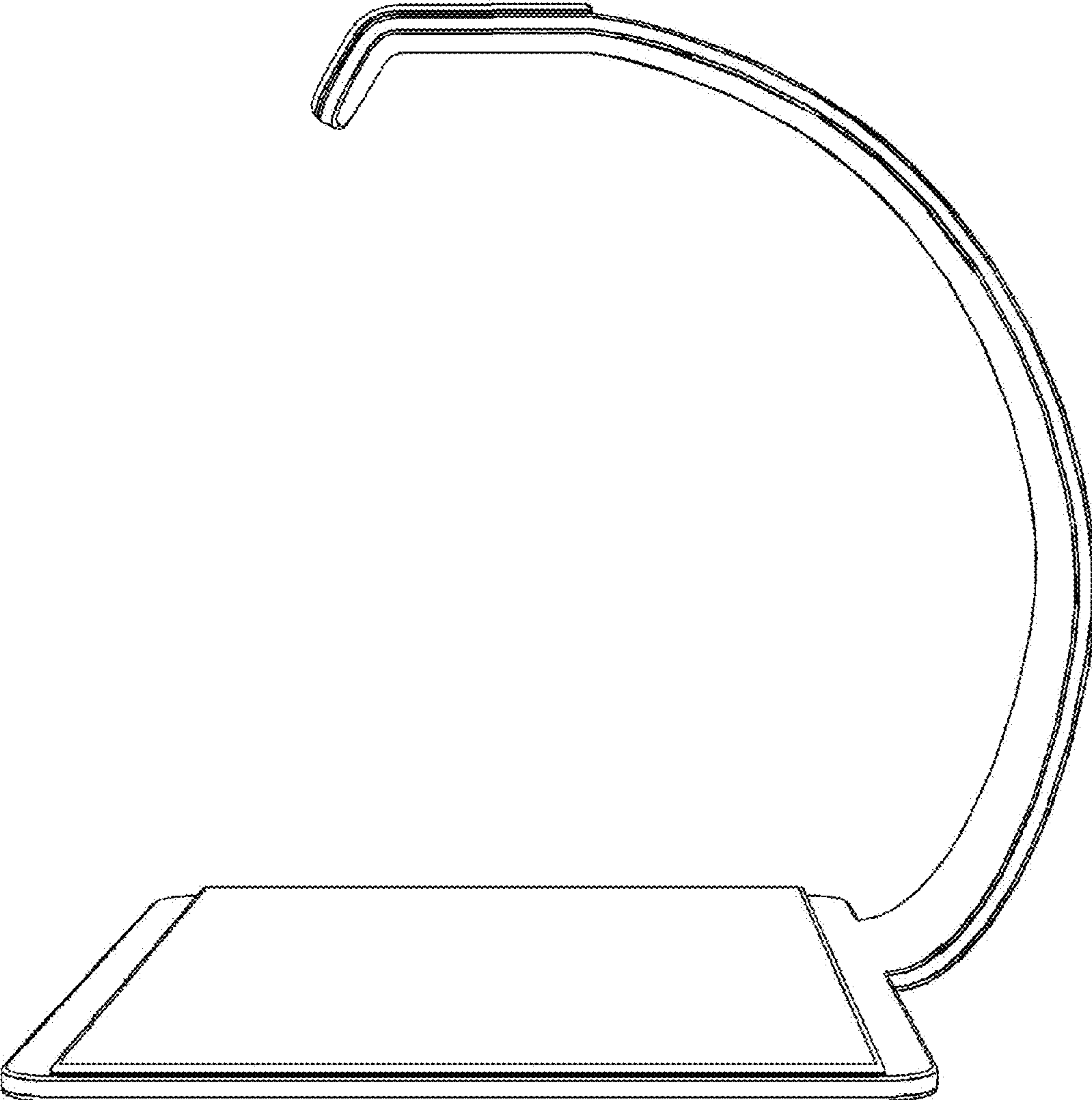


FIG. 6

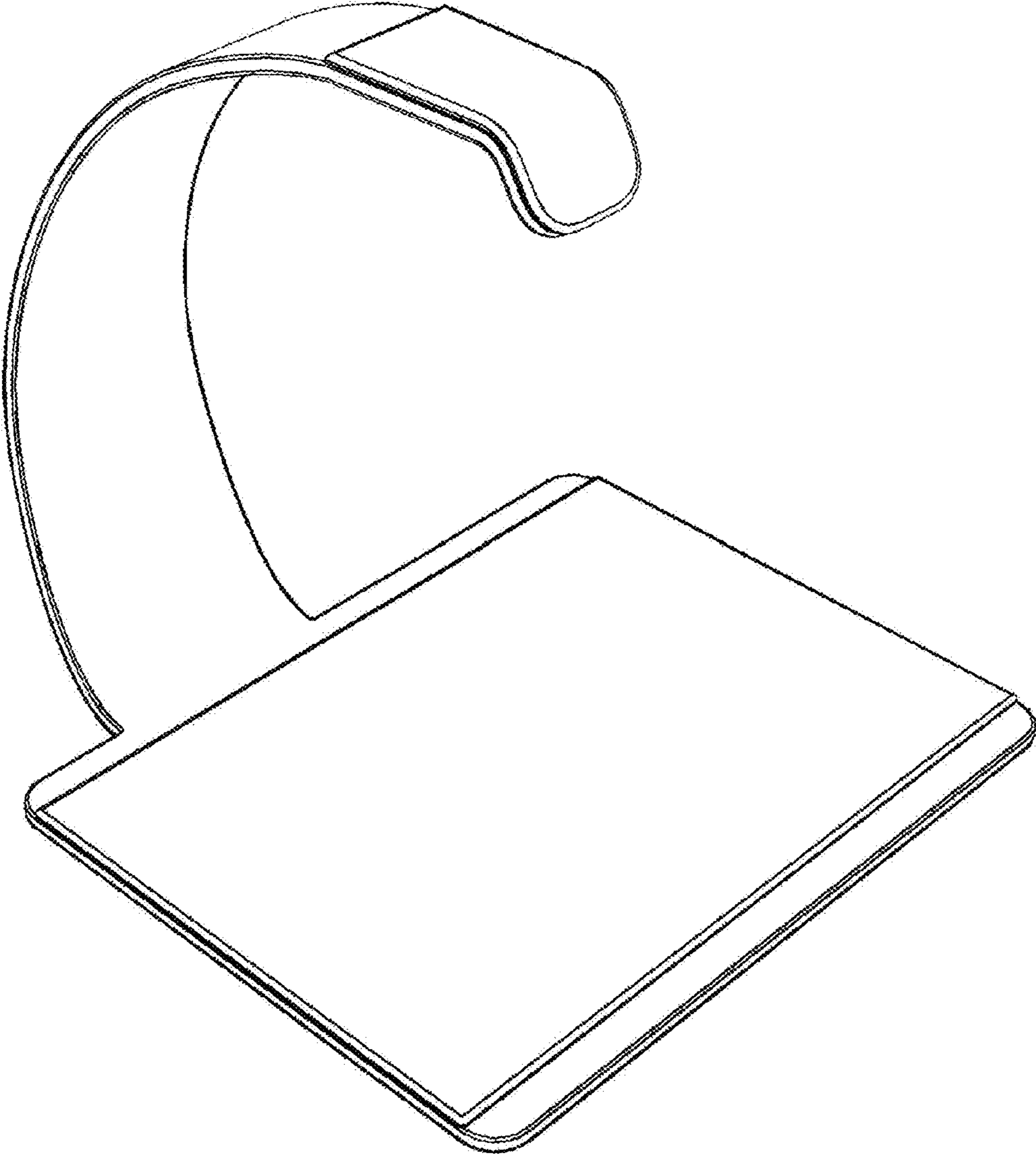


FIG. 7