



US00D733109S

(12) **United States Design Patent**
Reivo et al.

(10) **Patent No.:** **US D733,109 S**
(45) **Date of Patent:** **** Jun. 30, 2015**

- (54) **HANDSET CAMERA**
- (71) Applicant: **Nokia Corporation**, Espoo (FI)
- (72) Inventors: **Tuomas Reivo**, Helsinki (FI); **Franziska Faoro**, Deventer (NL); **Robert Lihou**, Kent (GB)
- (73) Assignee: **NOKIA CORPORATION**, Espoo (FI)
- (**) Term: **14 Years**
- (21) Appl. No.: **29/440,944**
- (22) Filed: **Dec. 28, 2012**
- (51) **LOC (10) Cl.** **14-03**
- (52) **U.S. Cl.**
USPC **D14/248**
- (58) **Field of Classification Search**
USPC ... D14/138 G, 138 AD, 138 R, 138 AC, 496, D14/248, 218, 439, 434, 250, 191, 138 C, D14/138 AA, 138 AB, 203.1–203.8, 238.1, D14/247, 137, 341–347, 440; 455/575.1, 455/556.2, 575.3, 575.4; D21/517, 333; 379/433.01, 433.04; D10/65, 78, 104; D13/168, 107–108, 119; 361/679.3, 361/679.56
CPC H04M 1/0264; H04M 2250/20; H05K 2201/10121; H05K 2201/10151
See application file for complete search history.

- D551,201 S * 9/2007 Kim et al. D14/138 AD
- D557,672 S * 12/2007 Bae D14/138 AD
- D580,392 S * 11/2008 Kim et al. D14/138 AD
- D582,373 S * 12/2008 Cao et al. D14/138 AA
- D583,352 S * 12/2008 Son et al. D14/138 AA
- D590,384 S * 4/2009 McPhail D14/248
- D590,822 S * 4/2009 Leith et al. D14/248
- D591,280 S * 4/2009 Irvine et al. D14/248
- D595,284 S * 6/2009 Rouger D14/248
- D599,338 S * 9/2009 Eguchi D14/248
- D617,755 S 6/2010 Leinvuo
- D648,712 S 11/2011 Brickstad

(Continued)

OTHER PUBLICATIONS

Nokia's 1020: A Camera That Makes Phone Calls, published Jul. 29, 2013, <URL:http://news.discovery.com/tech/gear-and-gadgets/nokias-1020-a-camera-that-makes-phone-calls-130729.htm>, retrieved from internet on Jun. 1, 2014.*

(Continued)

Primary Examiner — Carla Jobe Wright
(74) *Attorney, Agent, or Firm* — Banner & Witcoff, Ltd.

(57) **CLAIM**
The ornamental design for a handset camera, as shown and described.

DESCRIPTION

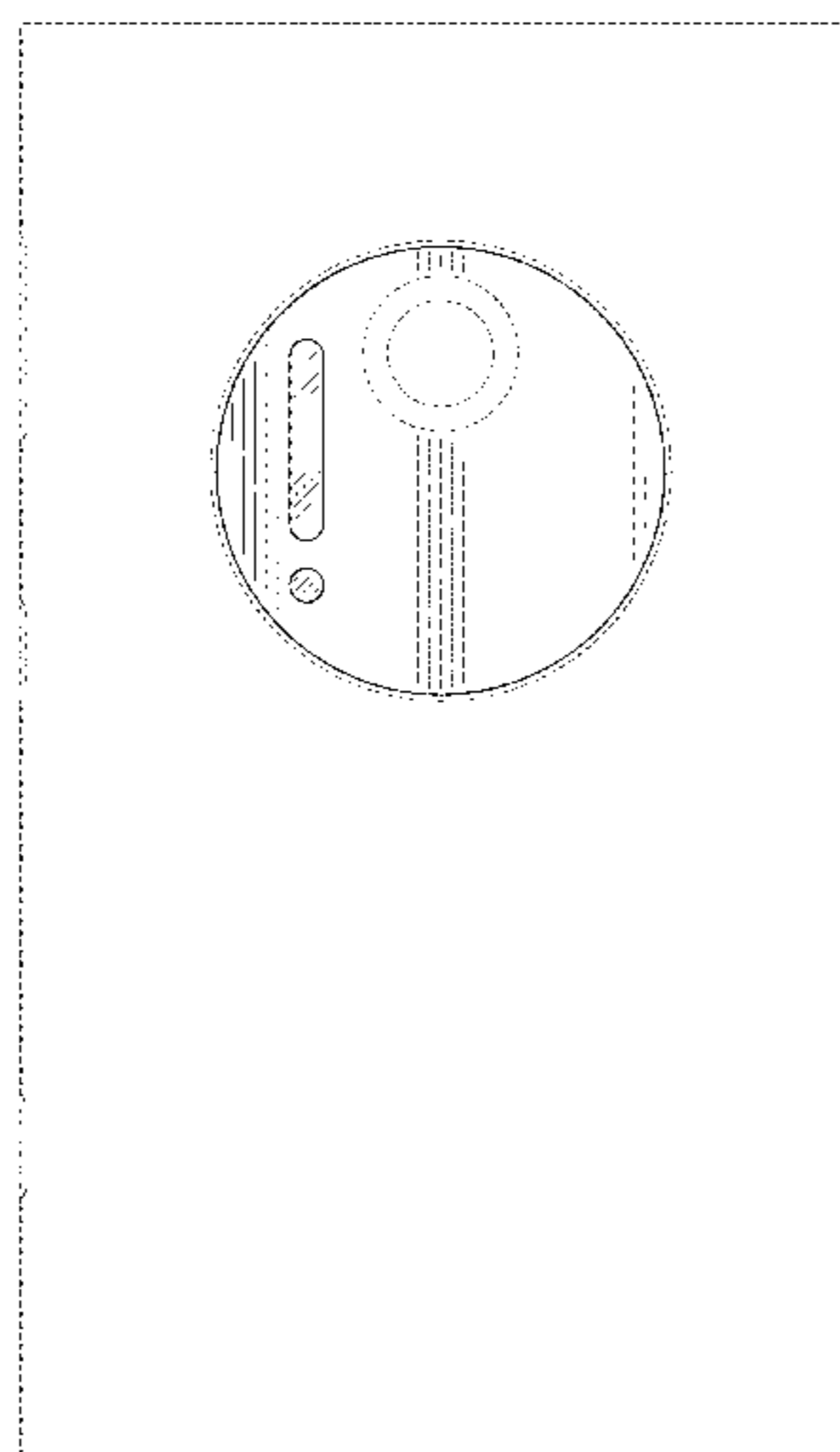
FIG. 1 is a perspective view of a handset camera showing my new design;
FIG. 2 is a front view thereof;
FIG. 3 is a right side view thereof;
FIG. 4 is a left side view thereof;
FIG. 5 is a top view thereof;
FIG. 6 is a bottom view thereof; and,
FIG. 7 is a rear view thereof.
The broken lines of the handset camera and the unshaded regions therein are for illustrative purposes only and form no part of the claimed design

1 Claim, 5 Drawing Sheets

(56) **References Cited**

U.S. PATENT DOCUMENTS

- D193,590 S * 9/1962 Dreyfuss D16/219
- D445,107 S * 7/2001 Kuwahara et al. D14/345
- D490,390 S 5/2004 Johansson
- D508,473 S * 8/2005 Lee et al. D14/138 AD
- D515,532 S * 2/2006 Shintani D14/138 AA
- D518,806 S 4/2006 Husgafvel
- D522,452 S * 6/2006 Sugimoto D13/119
- D538,252 S * 3/2007 Joung D14/138 AA
- D550,640 S * 9/2007 Dai D14/138 AD



(56)

References Cited

U.S. PATENT DOCUMENTS

D650,347 S 12/2011 Wong
D650,350 S 12/2011 Wong
D652,403 S 1/2012 Fahlgren et al.
D658,620 S 5/2012 Lylyk
D658,621 S 5/2012 Lylyk
D660,277 S * 5/2012 Park et al. D14/138 AA
D662,072 S 6/2012 Fahlgren et al.
D662,486 S 6/2012 Faoro
D665,766 S 8/2012 Eguchi
D666,980 S 9/2012 Faoro
D672,329 S 12/2012 Fahlgren et al.
D672,741 S 12/2012 Lylyk
D673,926 S 1/2013 Fahlgren et al.

2004/0157652 A1* 8/2004 Yamazaki 455/575.3
2005/0026656 A1* 2/2005 Park et al. 455/557
2007/0154209 A1* 7/2007 Chang 396/544
2009/0135864 A1* 5/2009 Aruga 372/29.02
2010/0203375 A1* 8/2010 Hazama 429/100
2012/0314355 A1* 12/2012 Miyamatsu et al. 361/679.01
2013/0130753 A1* 5/2013 Springer 455/575.1
2013/0300839 A1* 11/2013 Chai 348/47

OTHER PUBLICATIONS

Those following the camera-centric smartphone path might like the Galaxy K Zoom, published May 2, 2014 <URL:http://allaboutwindowsphone.com/flow/item/19740_Those_following_the_camera-cen.php>, retrieved from internet on Jun. 1, 2014.*

* cited by examiner

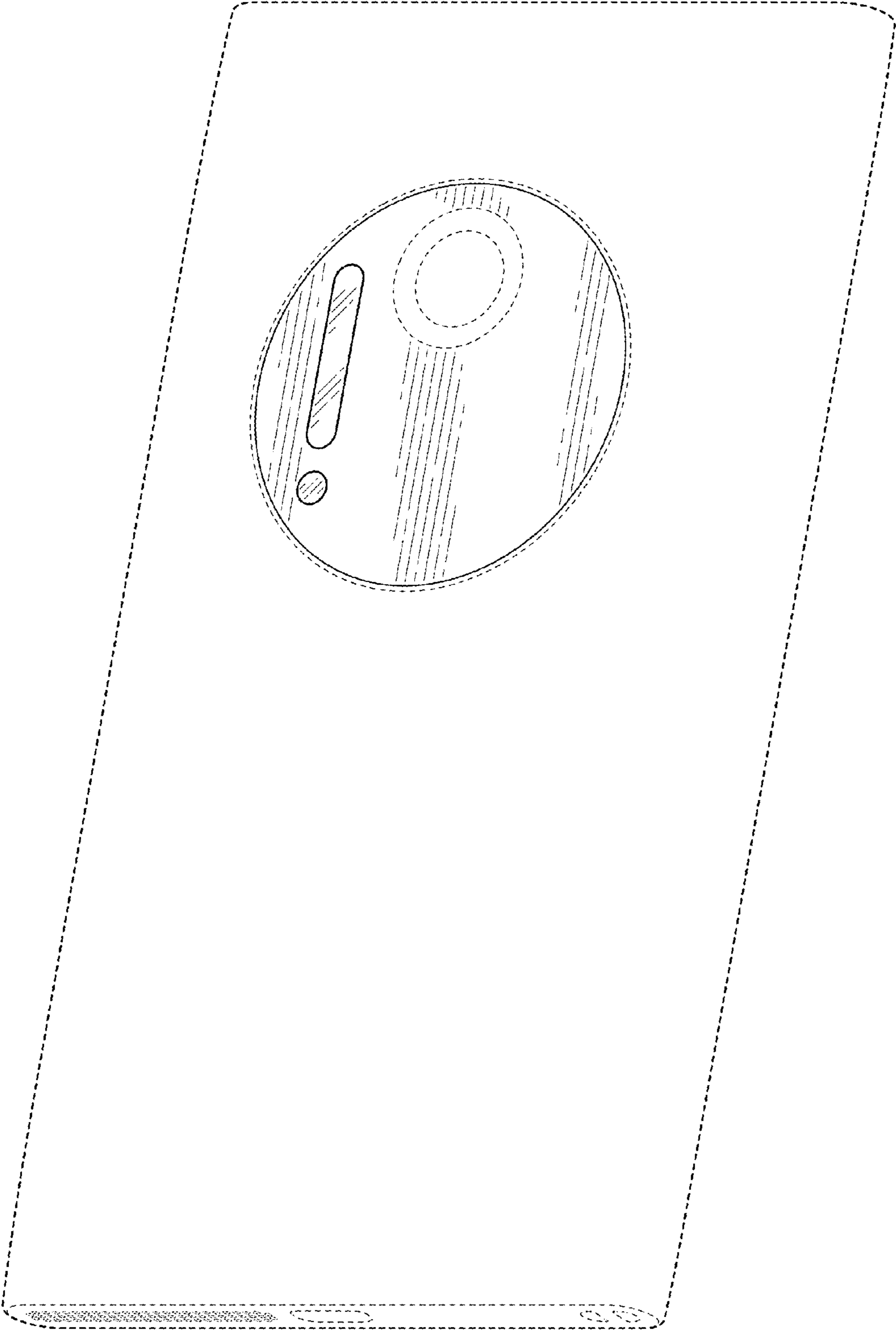


FIG. 1

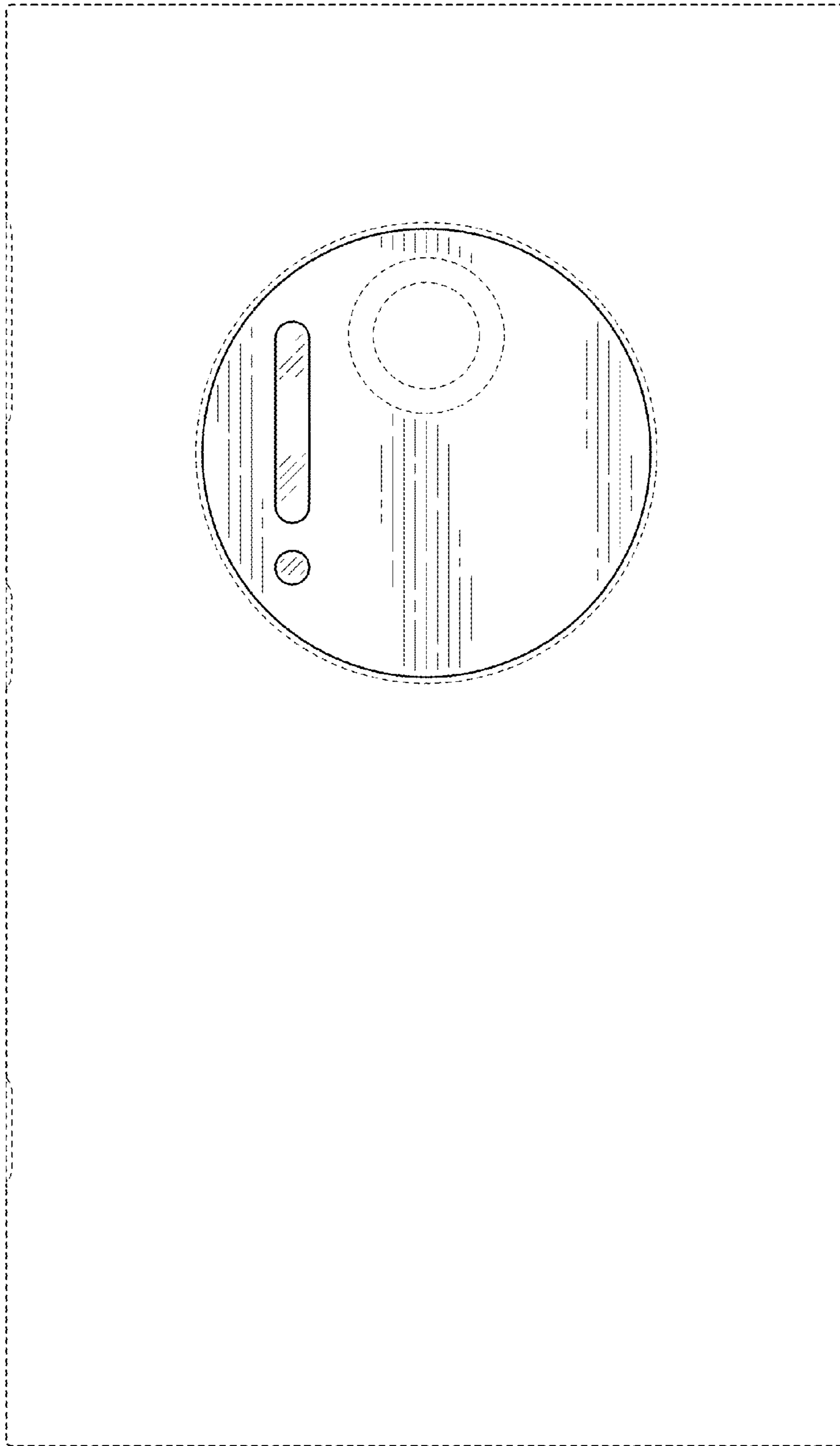


FIG. 2



FIG. 3

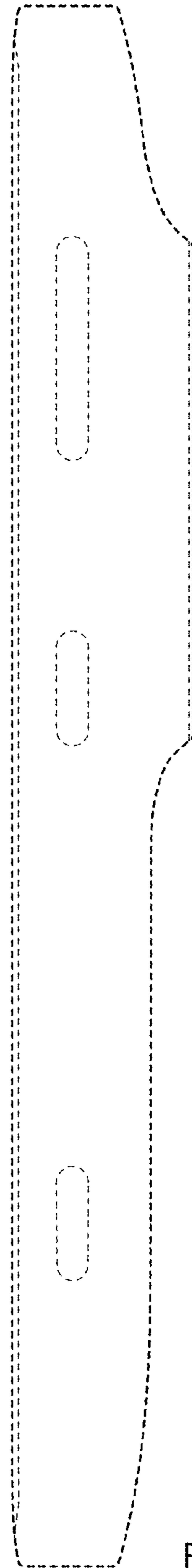


FIG. 4

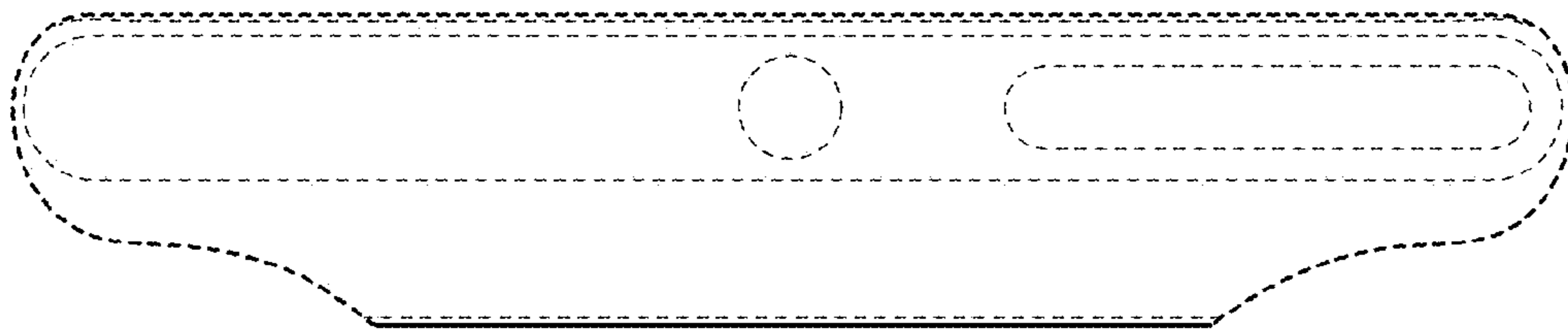


FIG. 5

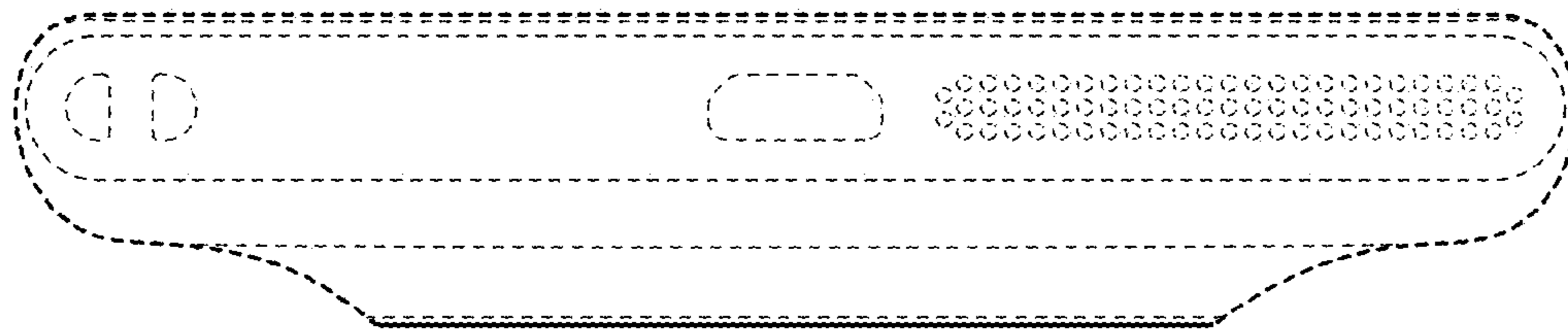


FIG. 6

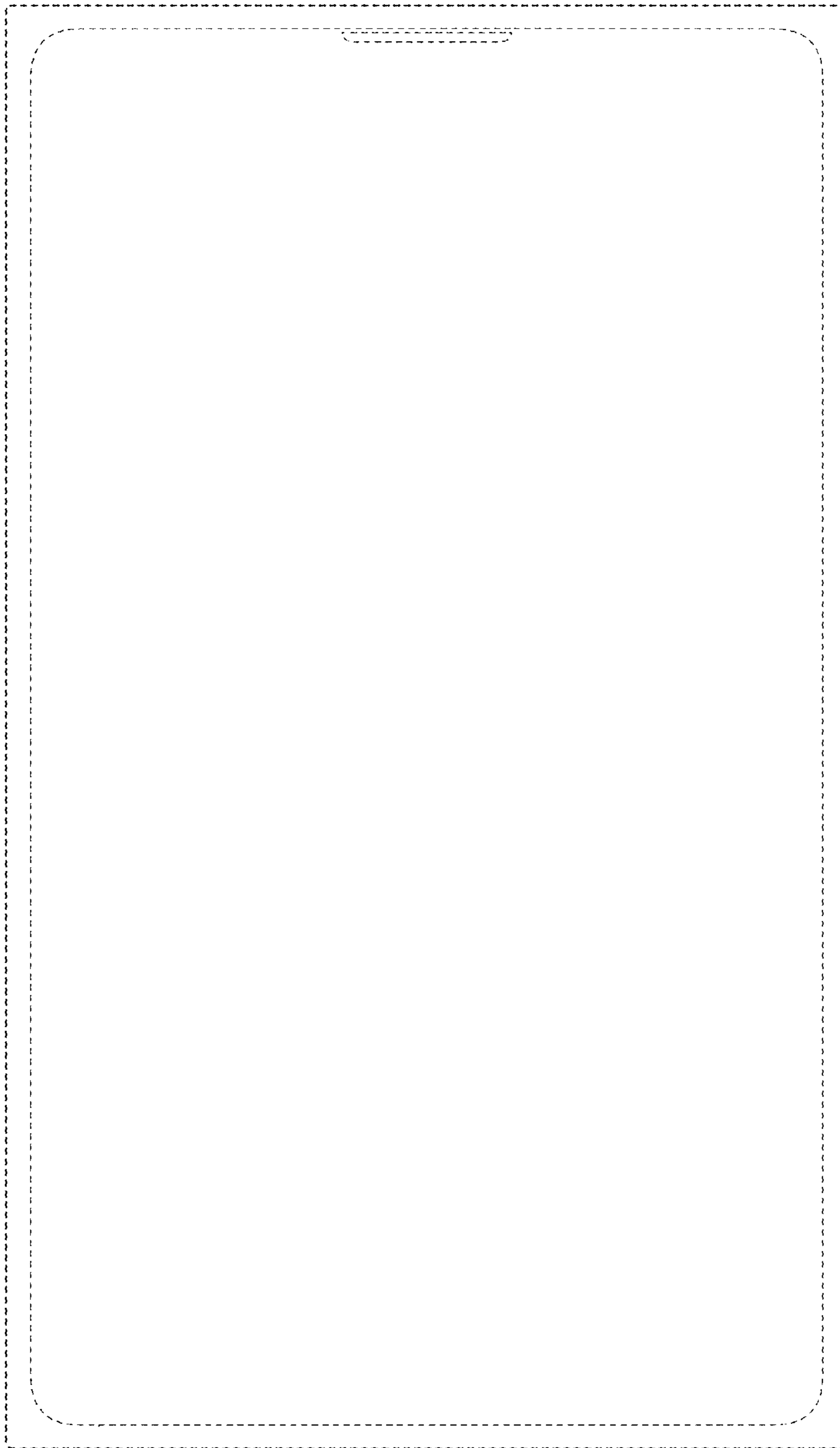


FIG. 7