



US00D733108S

(12) **United States Design Patent**
Salaz

(10) **Patent No.:** **US D733,108 S**
(45) **Date of Patent:** **** Jun. 30, 2015**

(54) **GLOVE HAVING A MOUNT FOR MOUNTING
A CELL PHONE TO THE WEARER'S HAND**

(71) Applicant: **Isaac Lloyd Salaz**, Westminster, CO
(US)

(72) Inventor: **Isaac Lloyd Salaz**, Westminster, CO
(US)

(**) Term: **14 Years**

(21) Appl. No.: **29/463,094**

(22) Filed: **Jul. 24, 2013**

(51) **LOC (10) Cl.** **14-03**

(52) **U.S. Cl.**
USPC **D14/240; D2/616**

(58) **Field of Classification Search**
USPC D14/240, 242, 357, 358, 140-140.9,
D14/155, 137, 139, 243, 348, 349, 351, 354,
D14/355; D2/616, 617; 2/159, 160, 163
CPC H04L 12/00; H03K 17/00; H04W 88/00;
H04W 88/005; H04W 88/02; H04W 88/08;
H04W 88/085; H04W 88/10; H04W 88/12;
H04W 88/14; H04B 1/38
See application file for complete search history.

(56) **References Cited**

U.S. PATENT DOCUMENTS

4,864,658	A	9/1989	Russell et al.	
5,305,181	A	4/1994	Schultz	
5,333,767	A	8/1994	Anderson	
5,345,368	A *	9/1994	Huff	362/103
D351,933	S *	11/1994	Stoneman	D2/612
D359,154	S *	6/1995	Goodson	D29/113
D382,087	S *	8/1997	Arshed	D2/617
5,768,709	A *	6/1998	Newkirk et al.	2/160

D404,888	S *	2/1999	Arredondo, Jr.	D29/113
6,006,357	A *	12/1999	Mead	2/160
D488,284	S *	4/2004	Kavana	D2/614
6,779,199	B1 *	8/2004	O'Dea et al.	2/161.6
D499,528	S *	12/2004	Hoskins	D2/617
D537,233	S *	2/2007	Potemski	D2/619
D567,453	S *	4/2008	Fincher	D29/117.1
D640,856	S *	7/2011	Rose	D2/614
D675,398	S *	2/2013	Miller	D2/614
D707,883	S *	6/2014	Pflungfelder	D28/7
D718,396	S *	11/2014	Whitmore	D21/683
2005/0233707	A1 *	10/2005	Chen	455/90.1
2007/0083979	A1 *	4/2007	Daniels	2/160
2010/0106044	A1 *	4/2010	Linderman	600/546
2010/0147909	A1 *	6/2010	Kelly et al.	223/111
2010/0154097	A1 *	6/2010	Roscher	2/160
2012/0229270	A1	9/2012	Morley et al.	
2013/0169420	A1 *	7/2013	Blount, Jr.	340/12.5
2014/0165261	A1 *	6/2014	Morris	2/160

* cited by examiner

Primary Examiner — Bridget L Eland

(74) *Attorney, Agent, or Firm* — Suzanne Kikel

(57) **CLAIM**

The ornamental design for a glove having a mount for mounting a cell phone to the wearer's hand, as shown and described.

DESCRIPTION

FIG. 1 is an isometric view of a glove having a mount for mounting a cell phone to the wearer's hand, showing my new design.

FIG. 2 is a right side view of the design of FIG. 1.

FIG. 3 is a left side view thereof.

FIG. 4 is a front end view thereof.

FIG. 5 is a rear end view thereof.

FIG. 6 is a top view thereof; and,

FIG. 7 is a bottom view thereof.

1 Claim, 4 Drawing Sheets

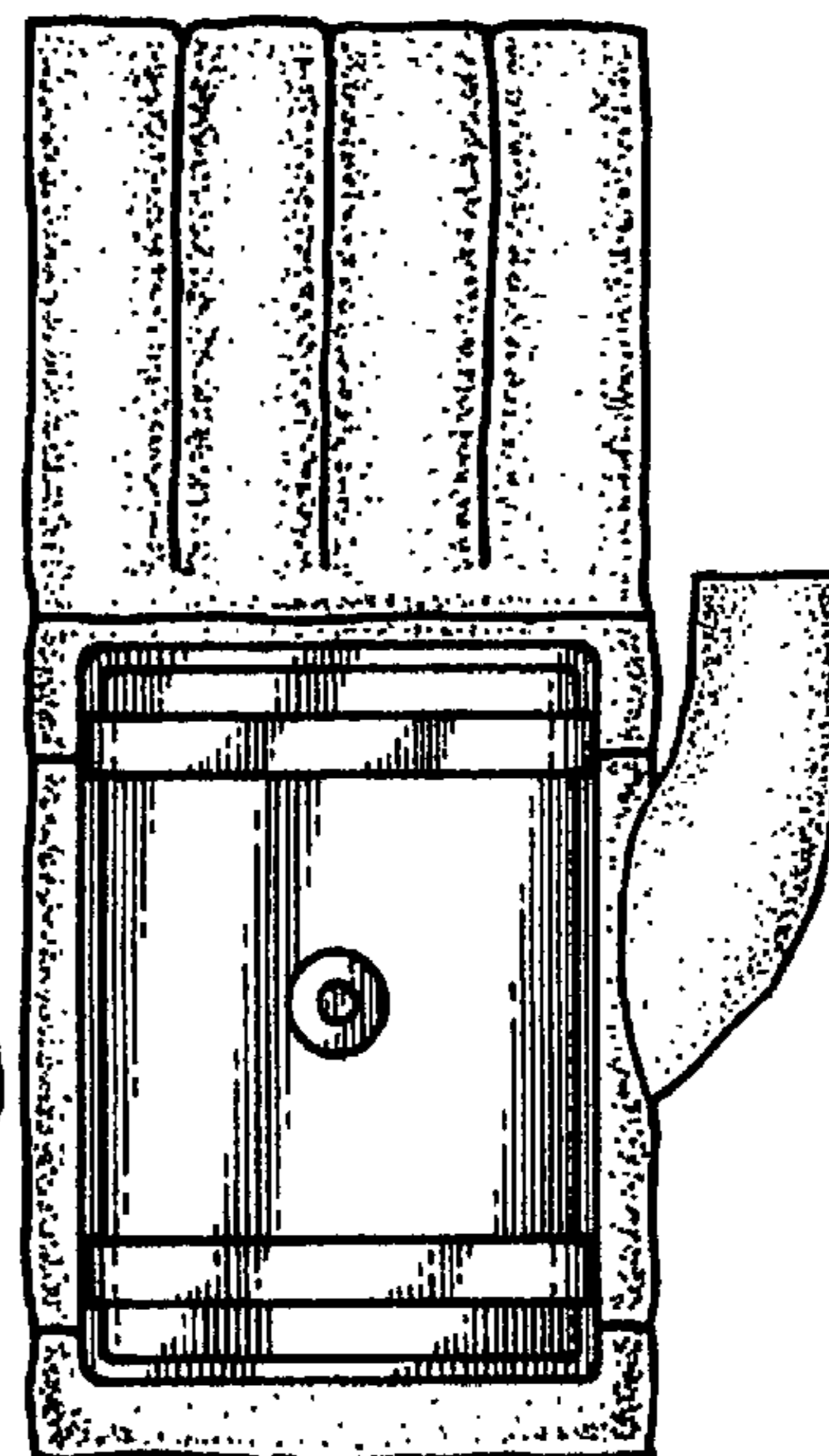
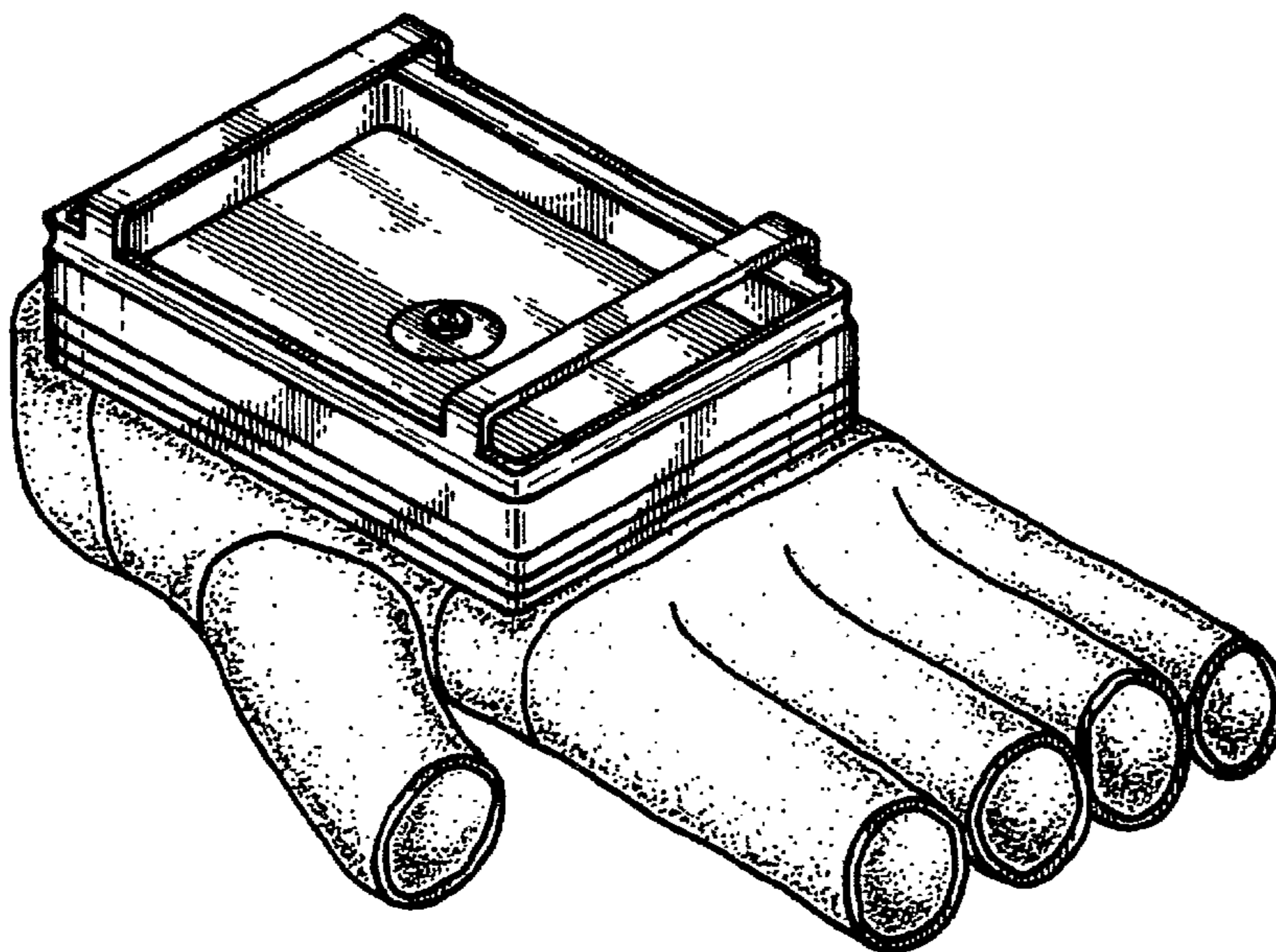
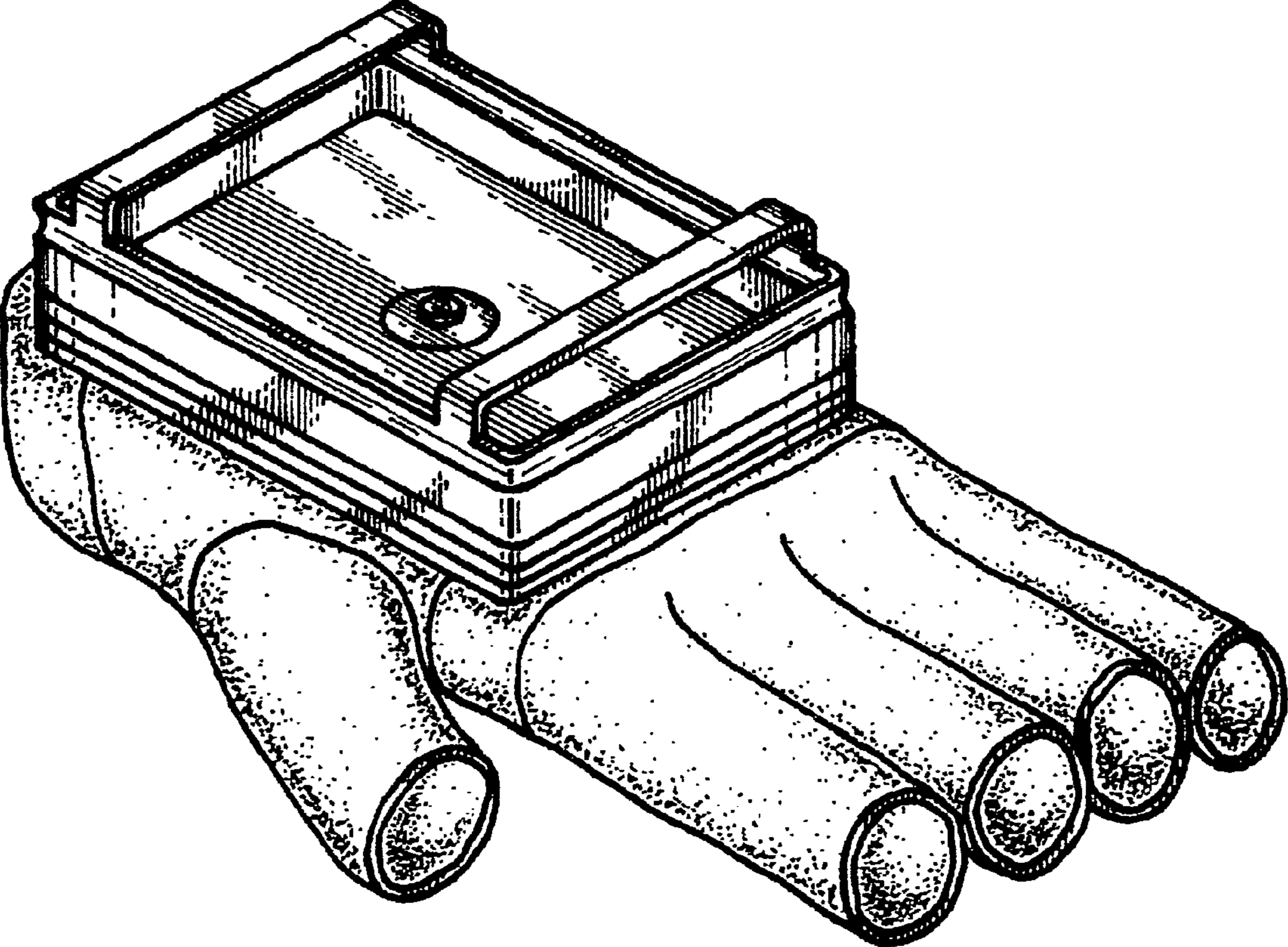


FIG. 1



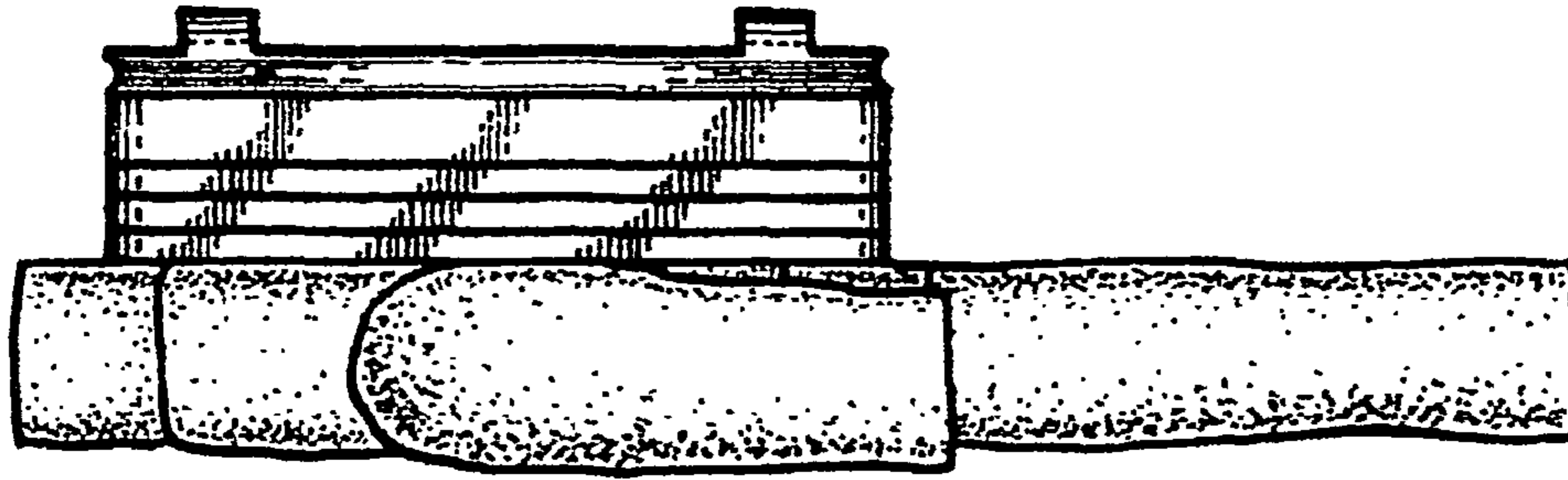


FIG. 2

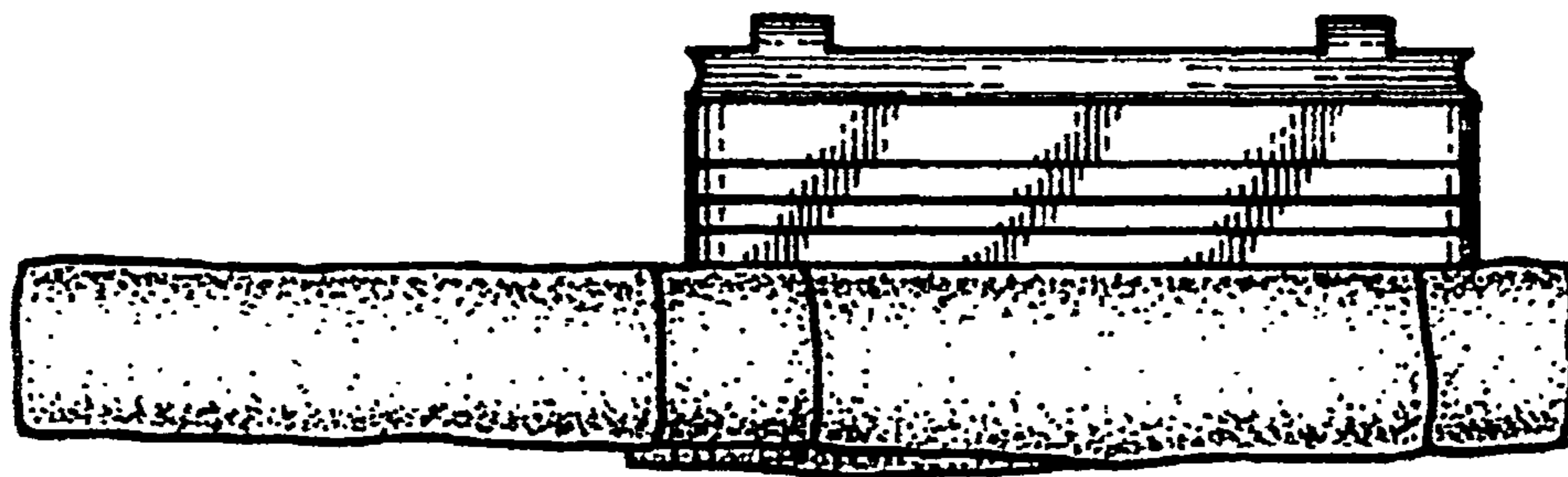


FIG. 3

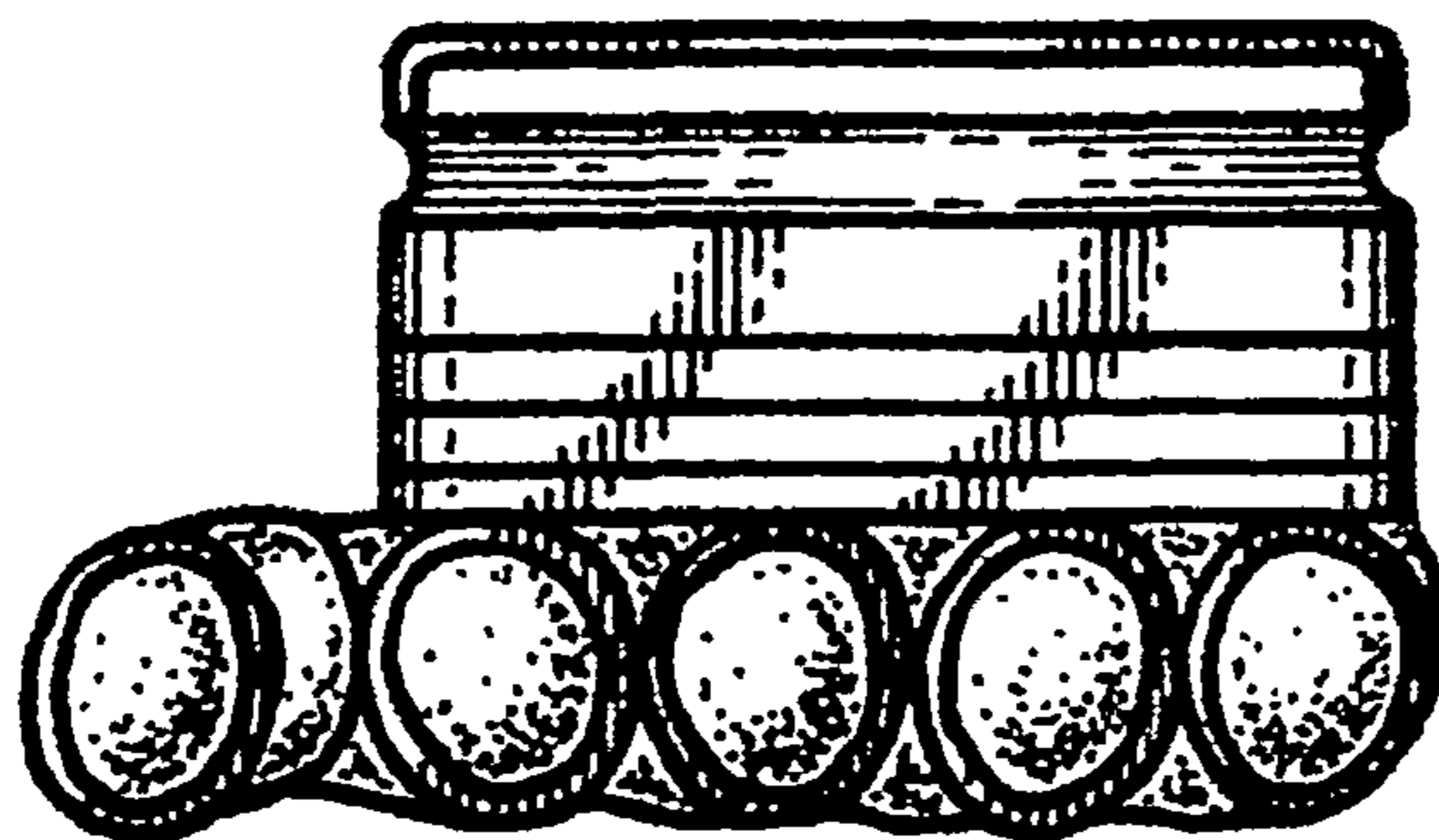


FIG. 4

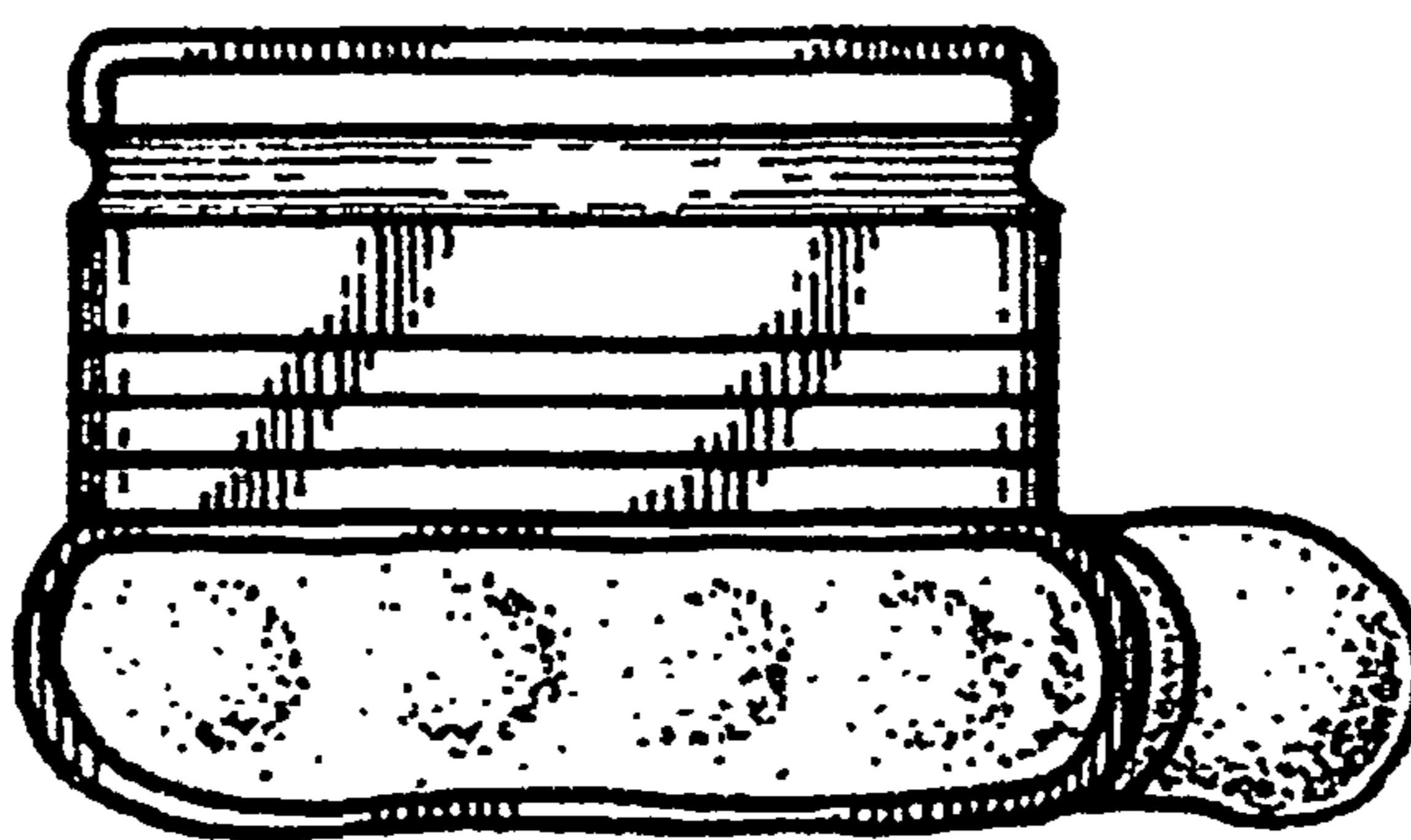


FIG. 5

FIG. 7

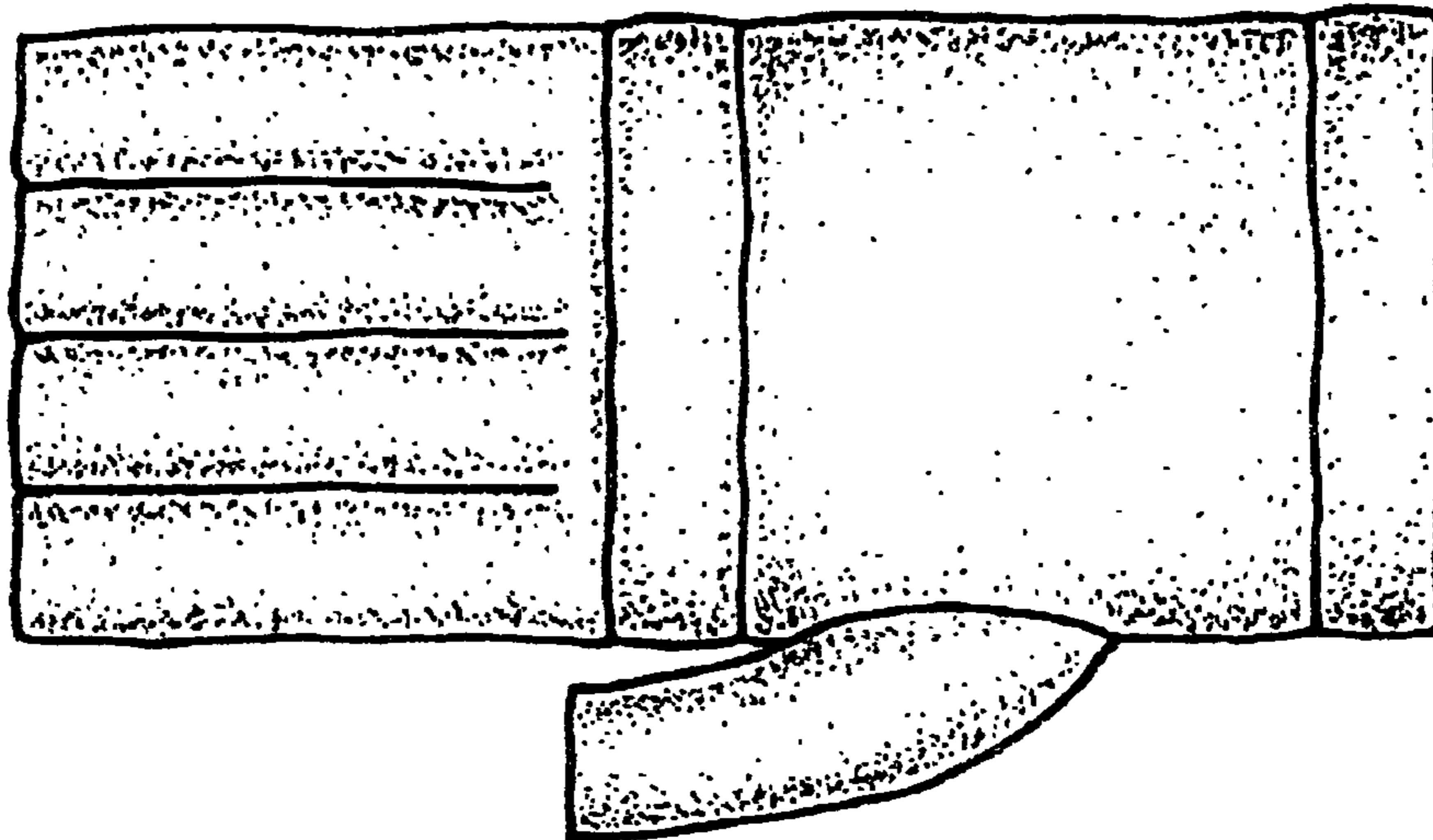


FIG. 6

