



US00D733107S

(12) **United States Design Patent**  
**Porter**

(10) **Patent No.:** **US D733,107 S**

(45) **Date of Patent:** **\*\* Jun. 30, 2015**

(54) **WIRELESS NETWORK UNIT**

(71) Applicant: **John David Porter**, Witchford (GB)

(72) Inventor: **John David Porter**, Witchford (GB)

(73) Assignee: **CAMBRIDGE COMMUNICATIONS SYSTEMS LIMITED**, Cambridge (GB)

(\*\*) Term: **14 Years**

(21) Appl. No.: **29/452,144**

(22) Filed: **Apr. 12, 2013**

(30) **Foreign Application Priority Data**

Oct. 18, 2012 (GB) ..... 4027105

(51) **LOC (10) Cl.** ..... **14-03**

(52) **U.S. Cl.**  
USPC ..... **D14/240**

(58) **Field of Classification Search**  
USPC ..... D14/300–302, 314, 348–370, 383–385,  
D14/435, 496, 125, 135, 155, 240–242,  
D14/299; D3/273; D9/432; D10/65, 75, 78;  
D13/103, 119, 162, 184, 199  
CPC ..... H04L 12/00; H03K 17/00; H04W 88/00;  
H04W 88/005; H04W 88/02; H04W 88/08;  
H04W 88/085; H04W 88/10; H04W 88/12;  
H04W 88/14; H04B 1/38

See application file for complete search history.

(56) **References Cited**

U.S. PATENT DOCUMENTS

D272,732 S \* 2/1984 Moore et al. .... D13/152  
D592,650 S \* 5/2009 Tsang et al. .... D14/242  
8,289,694 B2 \* 10/2012 Winokur ..... 361/679.35  
D694,740 S \* 12/2013 Apostolakis ..... D14/240  
D696,642 S \* 12/2013 Jia et al. .... D14/155

OTHER PUBLICATIONS

Innovative Small Cell Backhaul Demoed at MWC | dailywireless.org  
[online] Posted Feb. 17, 2014 [retrieved on Feb. 6, 2015]. Retrieved  
from the Internet <URL: <http://www.dailywireless.org/2014/02/17/innovative-small-cell-backhaul-demoed-at-mwc/>>.\*

\* cited by examiner

*Primary Examiner* — Karen E Kearney

(74) *Attorney, Agent, or Firm* — Burns & Levinson LLP;  
Bruce D. Jobse

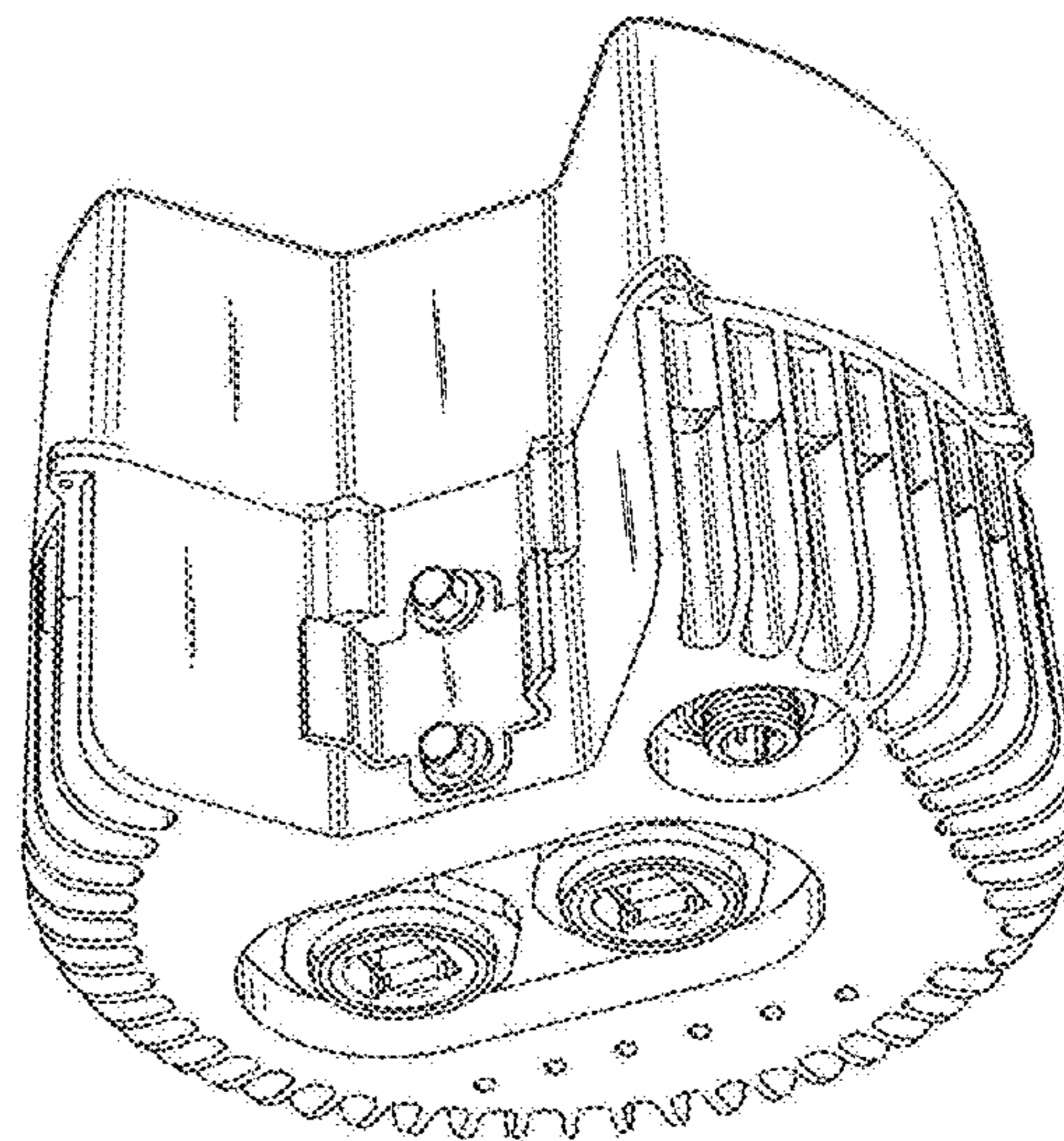
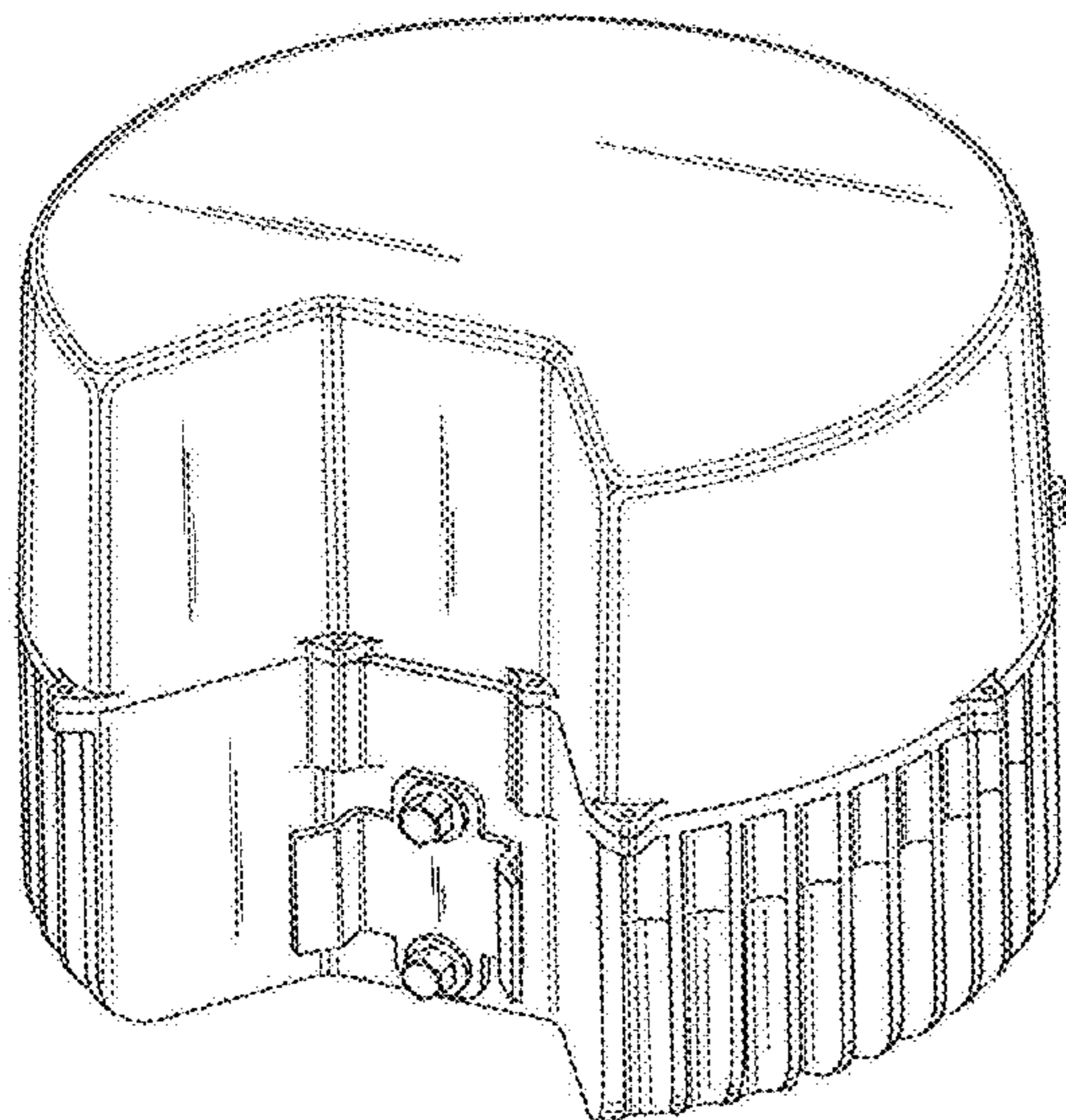
(57) **CLAIM**

The ornamental design for a wireless network unit, as shown  
and described.

**DESCRIPTION**

FIG. 1 is a top perspective view of the wireless network unit;  
FIG. 2 is a bottom perspective view of the wireless network  
unit;  
FIG. 3 is a rear view of the wireless network unit;  
FIG. 4 is a front view of the wireless network unit;  
FIG. 5 is a top view of the wireless network unit; and,  
FIG. 6 is a bottom view of the wireless network unit.  
The portion of the article depicted in broken lines in FIG. 3  
forms no part of the claimed design.

**1 Claim, 6 Drawing Sheets**



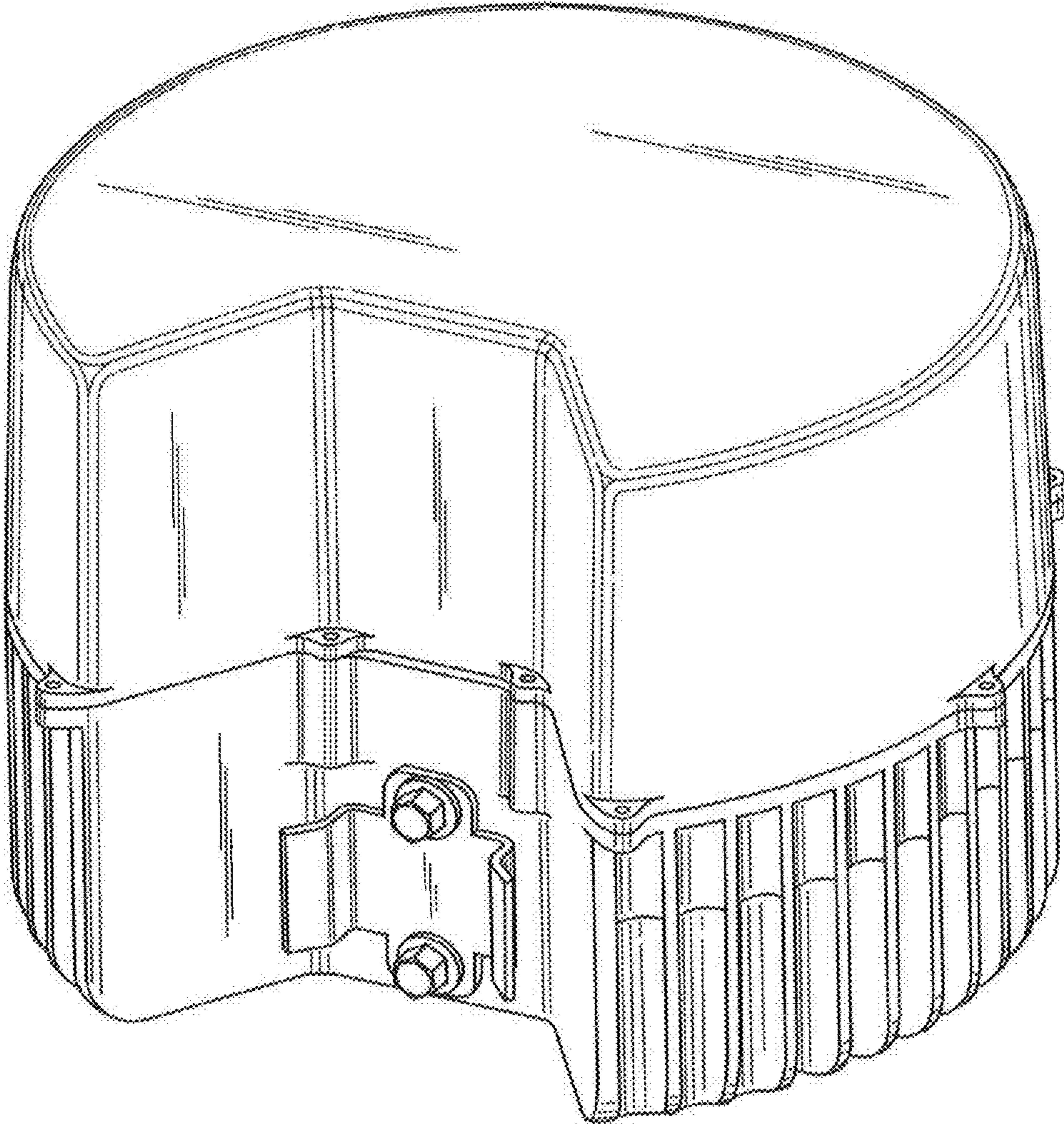


Fig. 1

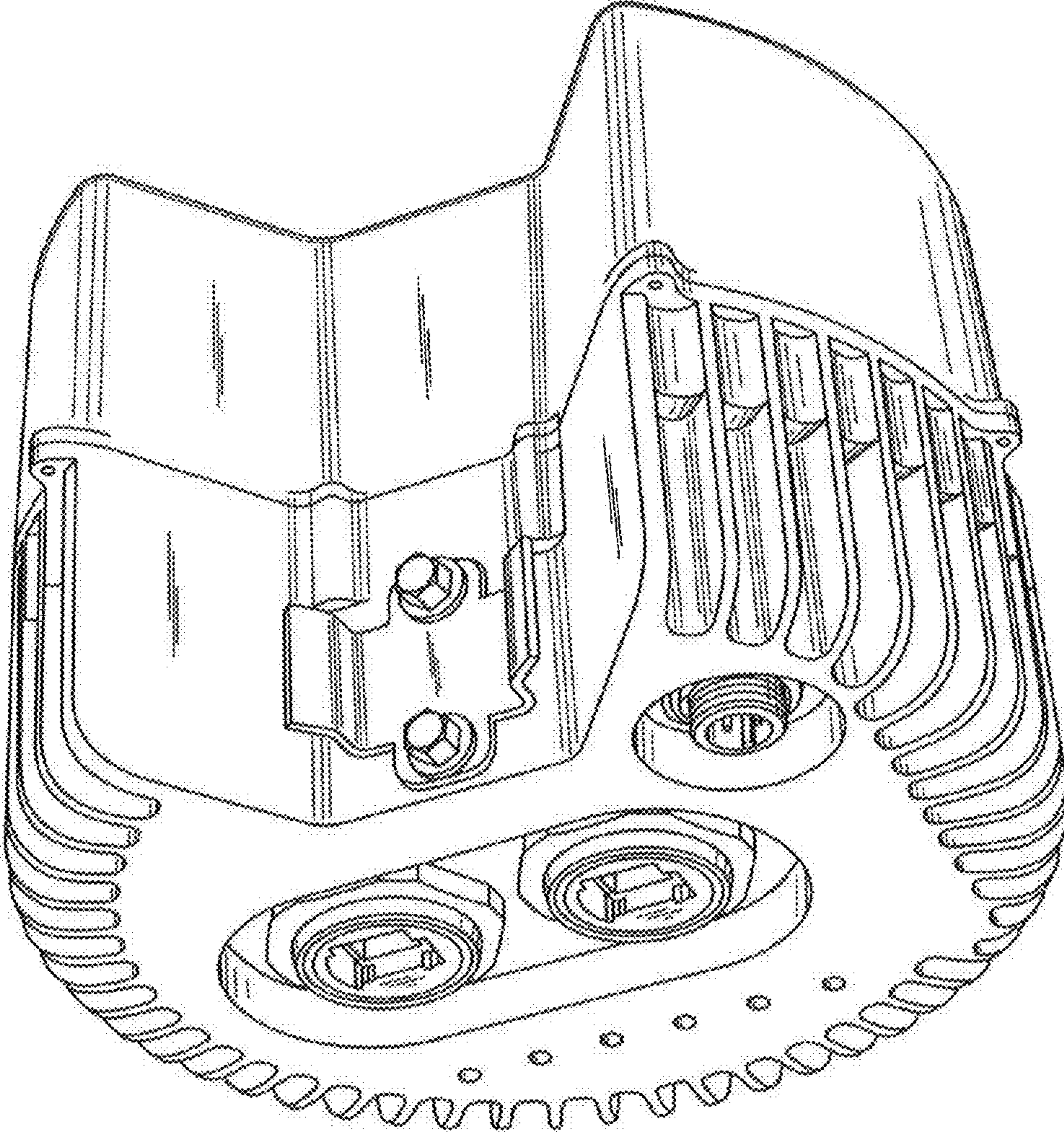


Fig. 2

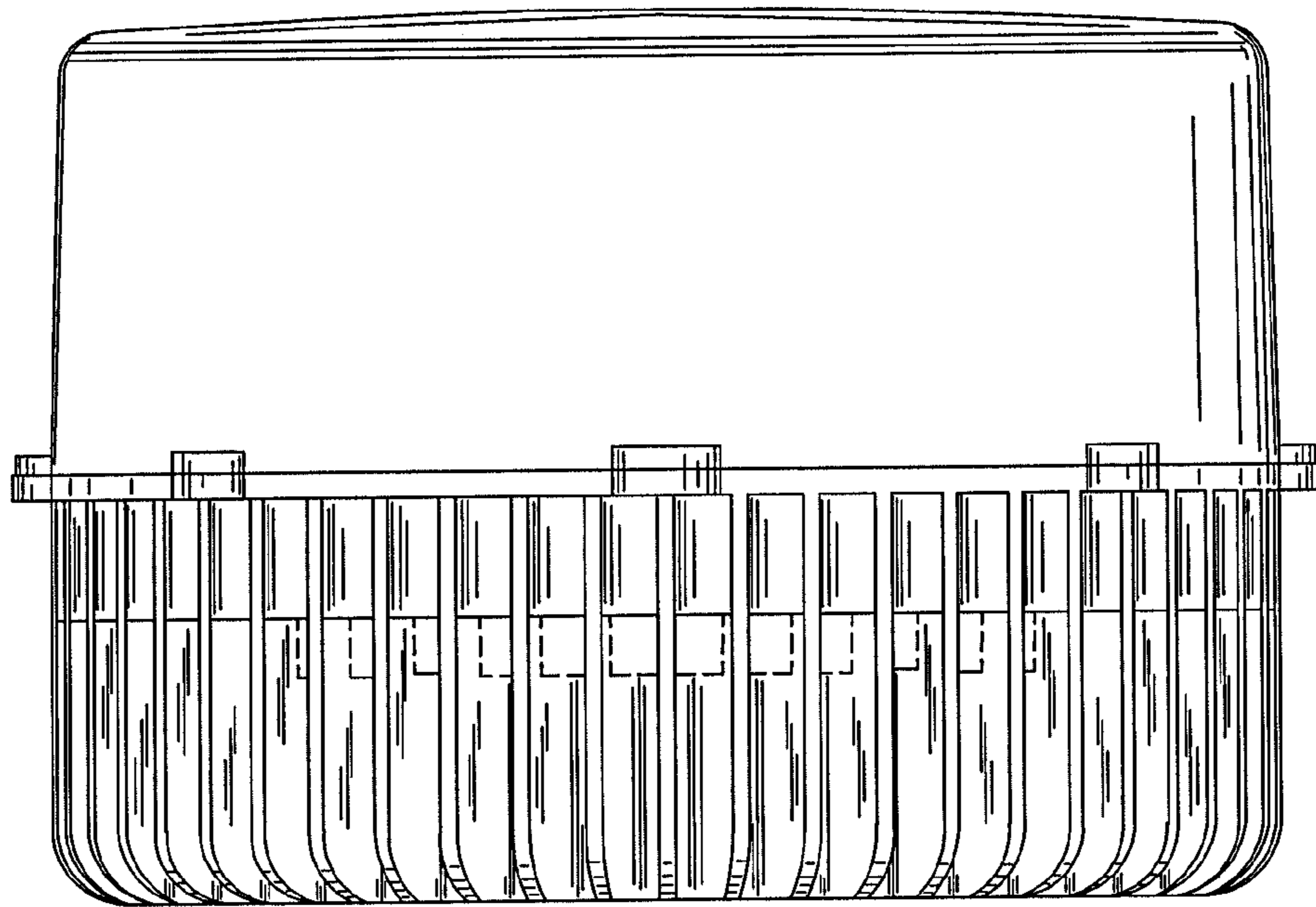


Fig. 3

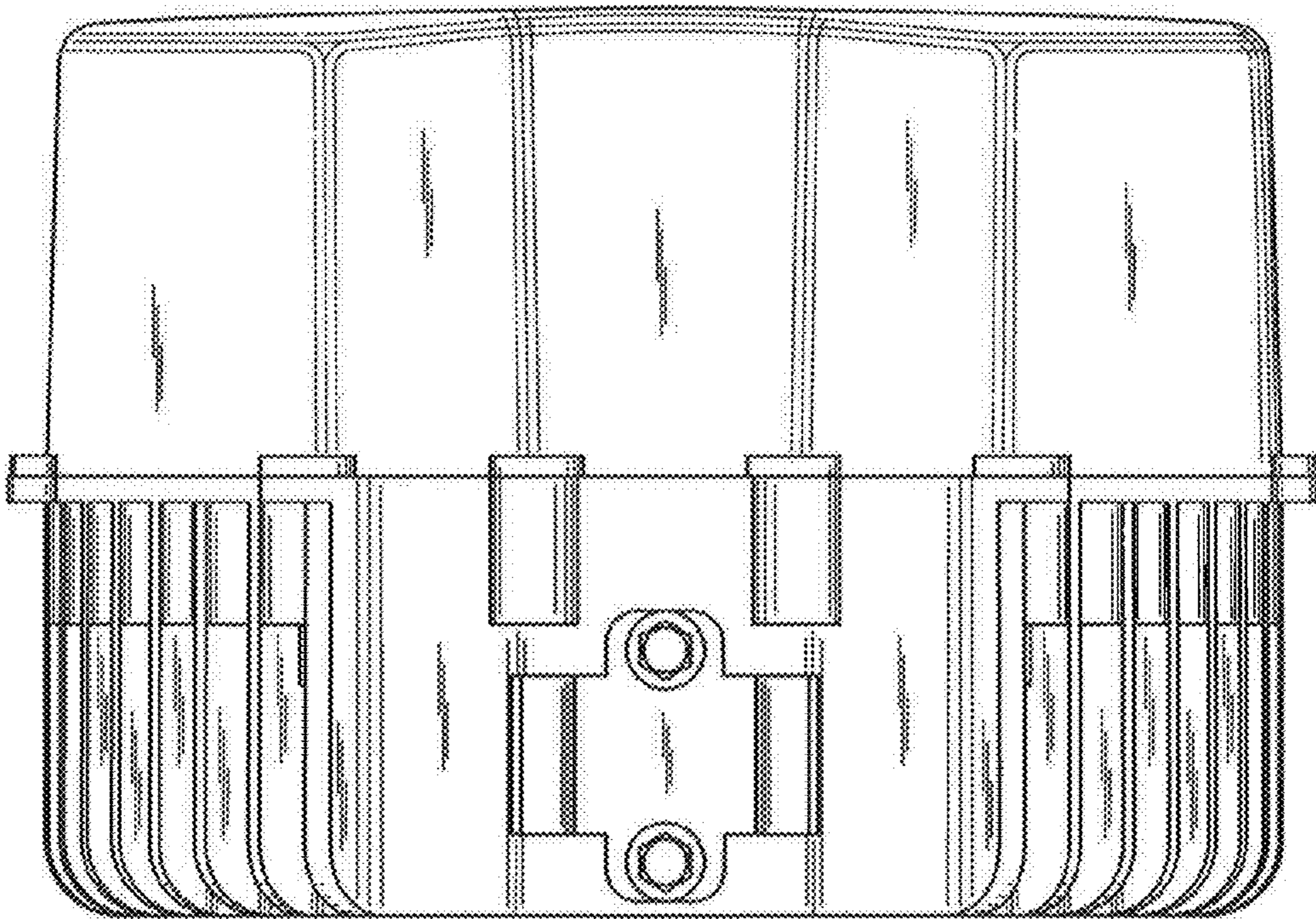


Fig. 4

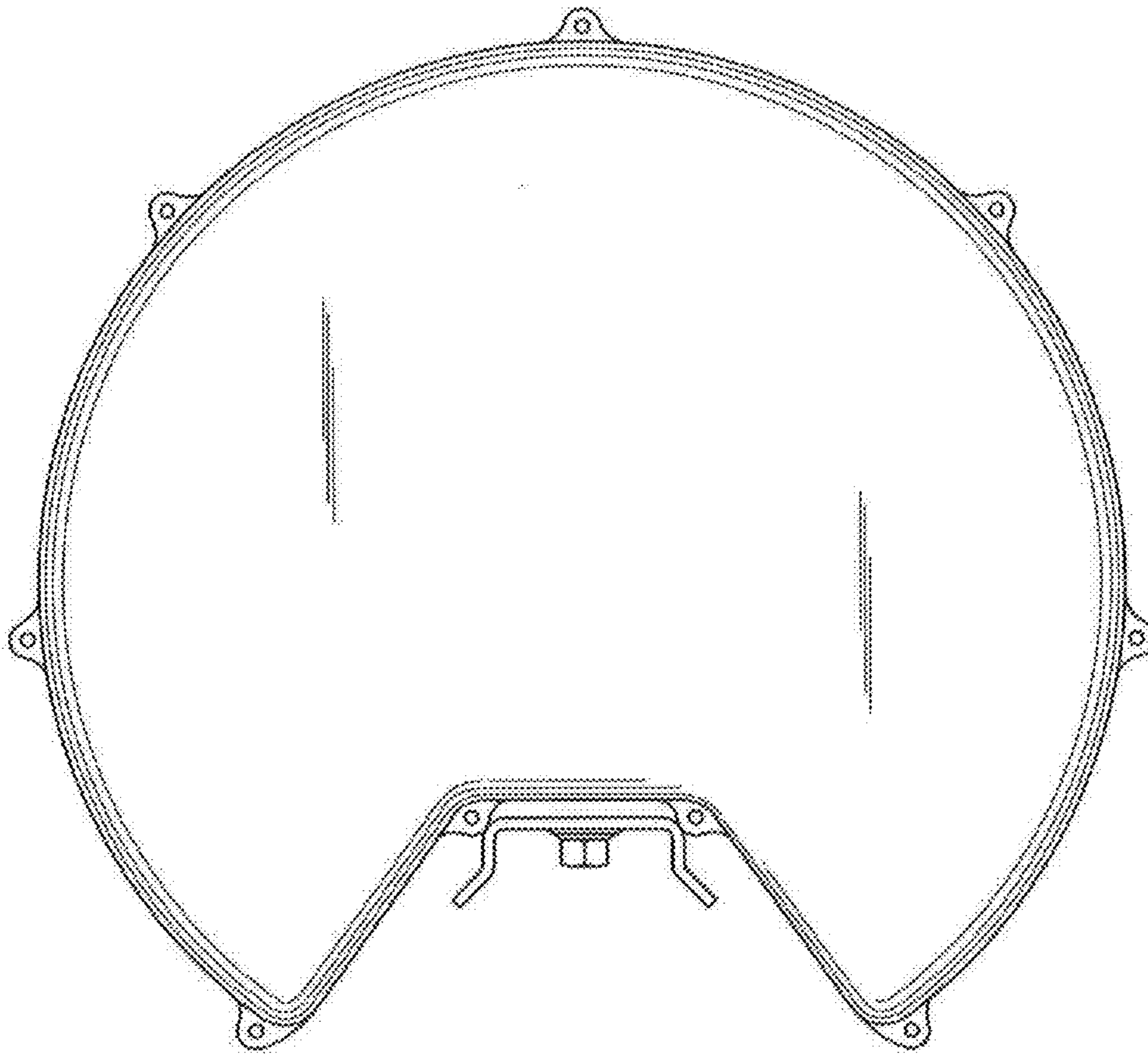


Fig. 5

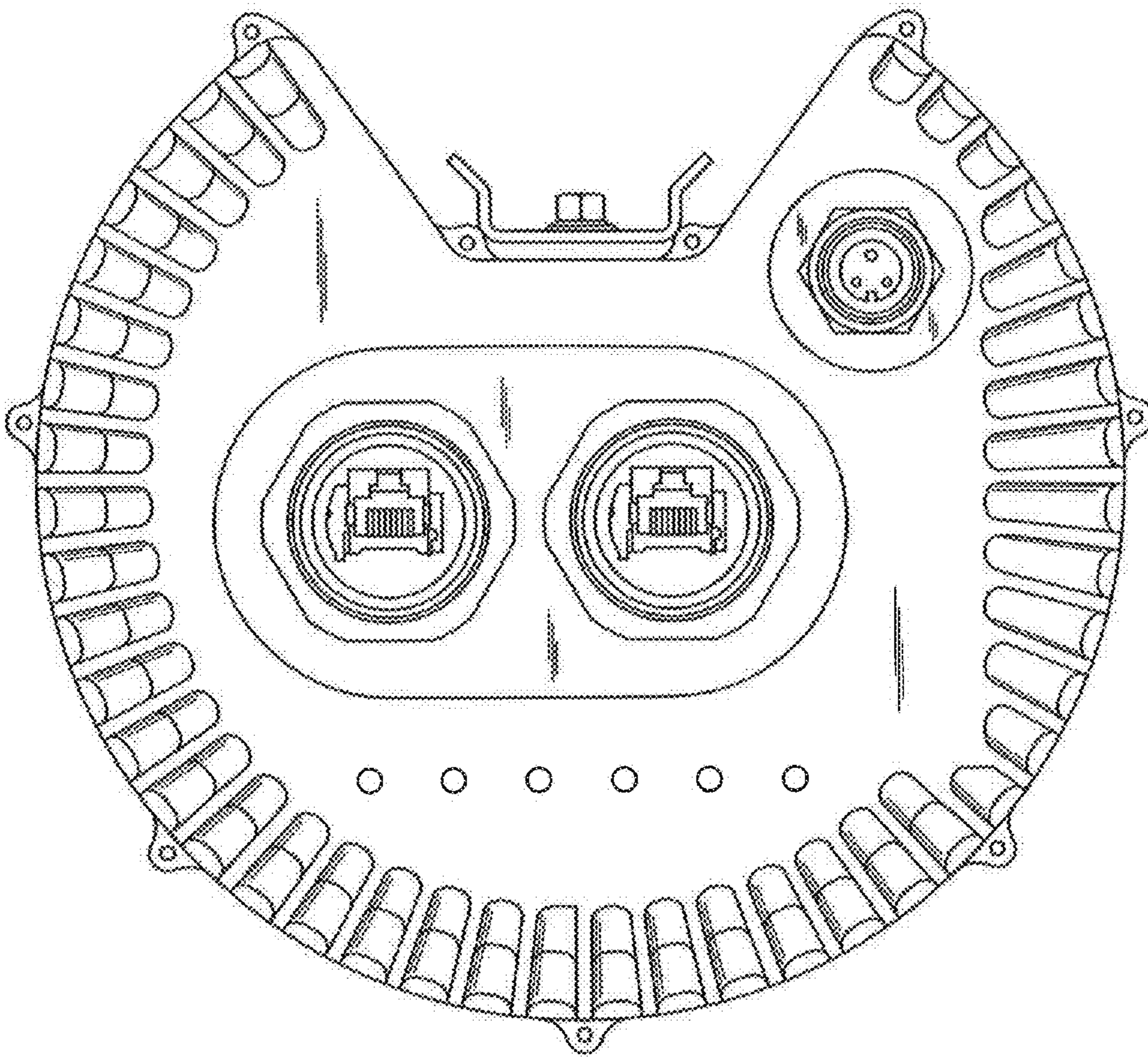


Fig. 6