



US00D733106S

(12) **United States Design Patent**  
**Frei et al.**

(10) **Patent No.:** **US D733,106 S**  
(45) **Date of Patent:** **\*\* Jun. 30, 2015**

(54) **SENSOR COMMUNICATION DEVICE WITH WALL MOUNT**

(75) Inventors: **Randall W. Frei**, San Jose, CA (US);  
**Linker Cheng**, San Jose, CA (US);  
**Robert J. Pera**, San Jose, CA (US)

(73) Assignee: **UBIQUITI NETWORKS, INC.**, San Jose, CA (US)

(\*\*) Term: **14 Years**

(21) Appl. No.: **29/425,966**

(22) Filed: **Jun. 28, 2012**

(51) **LOC (10) Cl.** ..... **14-02**

(52) **U.S. Cl.**  
USPC ..... **D14/240**

(58) **Field of Classification Search**  
USPC ..... D13/145–147; D14/238–242, 358,  
D14/433–435.1; 700/90; 710/104; 385/135  
See application file for complete search history.

(56) **References Cited**

**U.S. PATENT DOCUMENTS**

D331,394	S	*	12/1992	Kobayashi et al.	.....	D14/242
D366,878	S	*	2/1996	Wakabayashi et al.	.....	D14/242
D400,512	S	*	11/1998	Korhonen	.....	D13/184
D417,672	S	*	12/1999	Laufer et al.	.....	D14/240
D429,238	S	*	8/2000	Kolinen	.....	D14/240
D435,041	S	*	12/2000	Coker et al.	.....	D14/240
D472,555	S	*	4/2003	Tomino	.....	D14/433
D491,563	S	*	6/2004	Sato et al.	.....	D14/433
D493,169	S	*	7/2004	Cheng	.....	D14/357
D509,214	S	*	9/2005	Chung	.....	D14/240
D521,504	S	*	5/2006	Nagel et al.	.....	D14/240
D530,315	S	*	10/2006	Liu	.....	D14/240
D530,316	S	*	10/2006	Hsu et al.	.....	D14/240
7,447,004	B2	*	11/2008	Lim et al.	.....	361/679.27
D606,542	S	*	12/2009	Lu et al.	.....	D14/356
7,660,560	B2	*	2/2010	Zuo et al.	.....	455/90.3
7,787,238	B2	*	8/2010	Liao et al.	.....	361/679.01
D623,636	S	*	9/2010	Luonsinen	.....	D14/240
D630,198	S	*	1/2011	Wilkens et al.	.....	D14/240
D641,344	S	*	7/2011	Thomas et al.	.....	D14/242

D642,167	S	*	7/2011	Brandt et al.	.....	D14/240
D649,141	S	*	11/2011	Thomas et al.	.....	D14/242
8,107,251	B2	*	1/2012	Yamauchi	.....	361/752
D654,917	S	*	2/2012	Chaturvedi et al.	.....	D14/358
8,149,594	B2	*	4/2012	Nishihata	.....	361/818
D670,277	S	*	11/2012	Huang	.....	D14/240
D678,258	S	*	3/2013	Seto	.....	D14/240
D684,957	S	*	6/2013	Smith et al.	.....	D14/242

(Continued)

**FOREIGN PATENT DOCUMENTS**

EM 000742580-0001 \* 7/2007

**OTHER PUBLICATIONS**

TP-Link's New AV200 Powerline Adapter Starter Kit Ships for Low Cost, High Definition Streaming [online]. Walsh, Terry, 2012 [retrieved on Nov. 21, 2013]. Retrieved from the Internet: <URL: <http://www.wegoterved.com/2012/05/03/tplinks-av200-powerline-adapter-starter-kit-ships-cost-high-definition-streaming/>>.\*

TRENDnet TPL-305E 3-Port Powerline 200 AV Adapter Up to 200Mbps [online]. Newegg Inc., 2013 [retrieved on Nov. 21, 2013]. Retrieved from the Internet: <URL: <http://www.newegg.com/Product/Product.aspx?Item=N82E16833156311>>.\*

(Continued)

*Primary Examiner* — Deanna L Pratt

(74) *Attorney, Agent, or Firm* — Shun Yao; Park, Vaughan, Fleming & Dowler LLP

(57) **CLAIM**

The ornamental design for a sensor communication device with wall mount, as shown and described.

**DESCRIPTION**

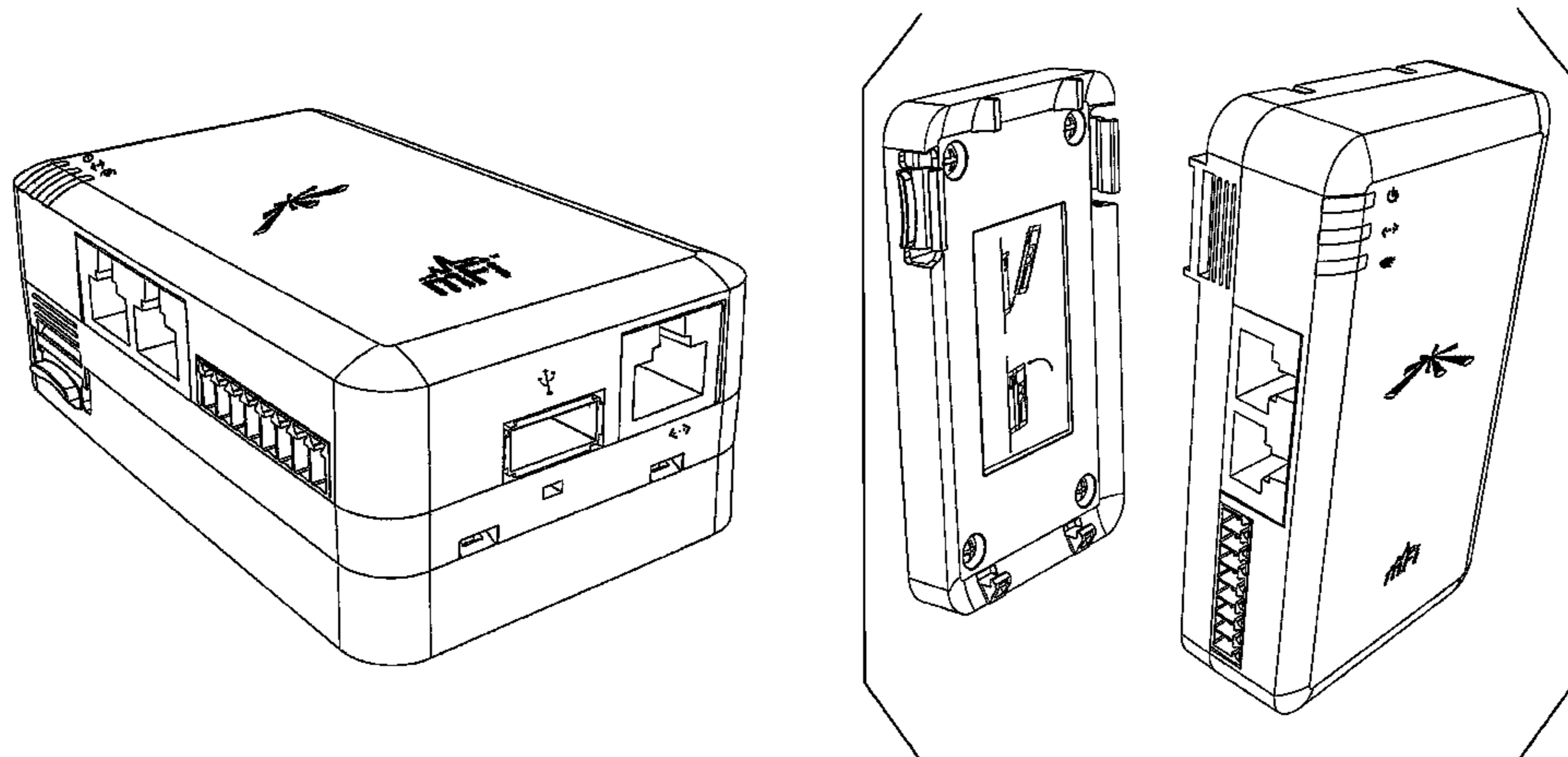
FIG. 1 presents a perspective view of a sensor communication device coupled with a wall mount.

FIG. 2 presents a perspective view of the sensor communication device to be coupled with the wall mount.

FIG. 3 presents a front view of the sensor communication device; and,

FIG. 4 presents a front view of the wall mount.

**1 Claim, 4 Drawing Sheets**



(56)

**References Cited**

U.S. PATENT DOCUMENTS

8,554,043	B2 *	10/2013	Deel et al. ....	385/135
D708,611	S *	7/2014	Burmeister- Brown et al. ....	D14/358
8,880,204	B2 *	11/2014	Frei et al. ....	700/90
2009/0228654	A1 *	9/2009	Lakowicz ....	711/115
2010/0309085	A1 *	12/2010	Pera et al. ....	343/840
2013/0277520	A1 *	10/2013	Funk et al. ....	248/274.1
2014/0005809	A1 *	1/2014	Frei et al. ....	700/90
2014/0006660	A1 *	1/2014	Frei et al. ....	710/104

OTHER PUBLICATIONS

4-Port Powerline 500 AV Adapter [online]. TRENDnet. , 2013 [retrieved on Nov. 21, 2013]. Retrieved from the Internet: <URL: [http://www.trendnet.com/products/proddetail.asp?prod=145\\_TPL-4052E](http://www.trendnet.com/products/proddetail.asp?prod=145_TPL-4052E)>.\*

PLA4231 [online]. ZyXEL Communications Corp. , 2013 [retrieved on Nov. 21, 2013]. Retrieved from the Internet: <URL: [http://www.zyxel.com/us/en/products\\_services/pla4231.shtml?t=p](http://www.zyxel.com/us/en/products_services/pla4231.shtml?t=p)>.\*

\* cited by examiner

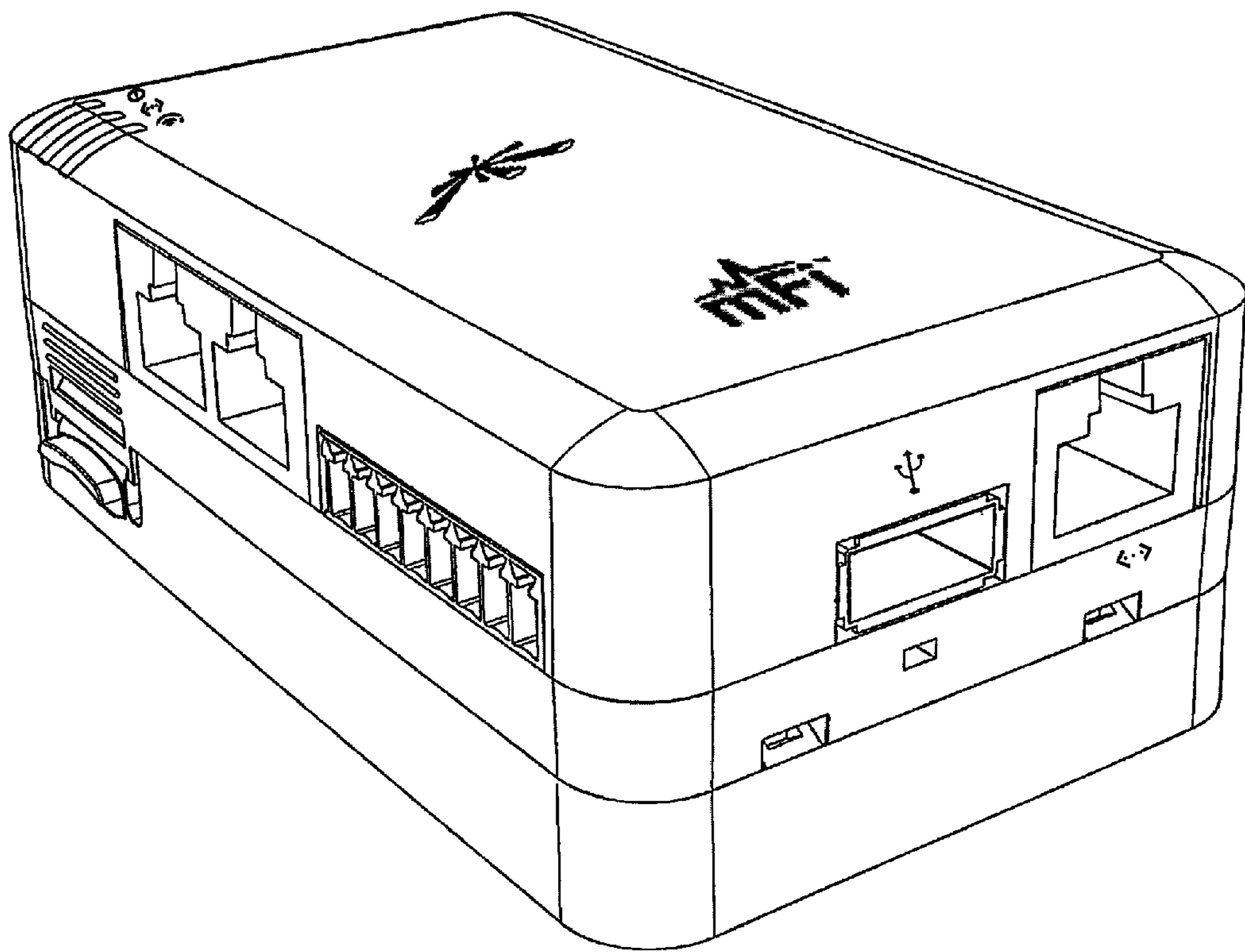


FIG. 1

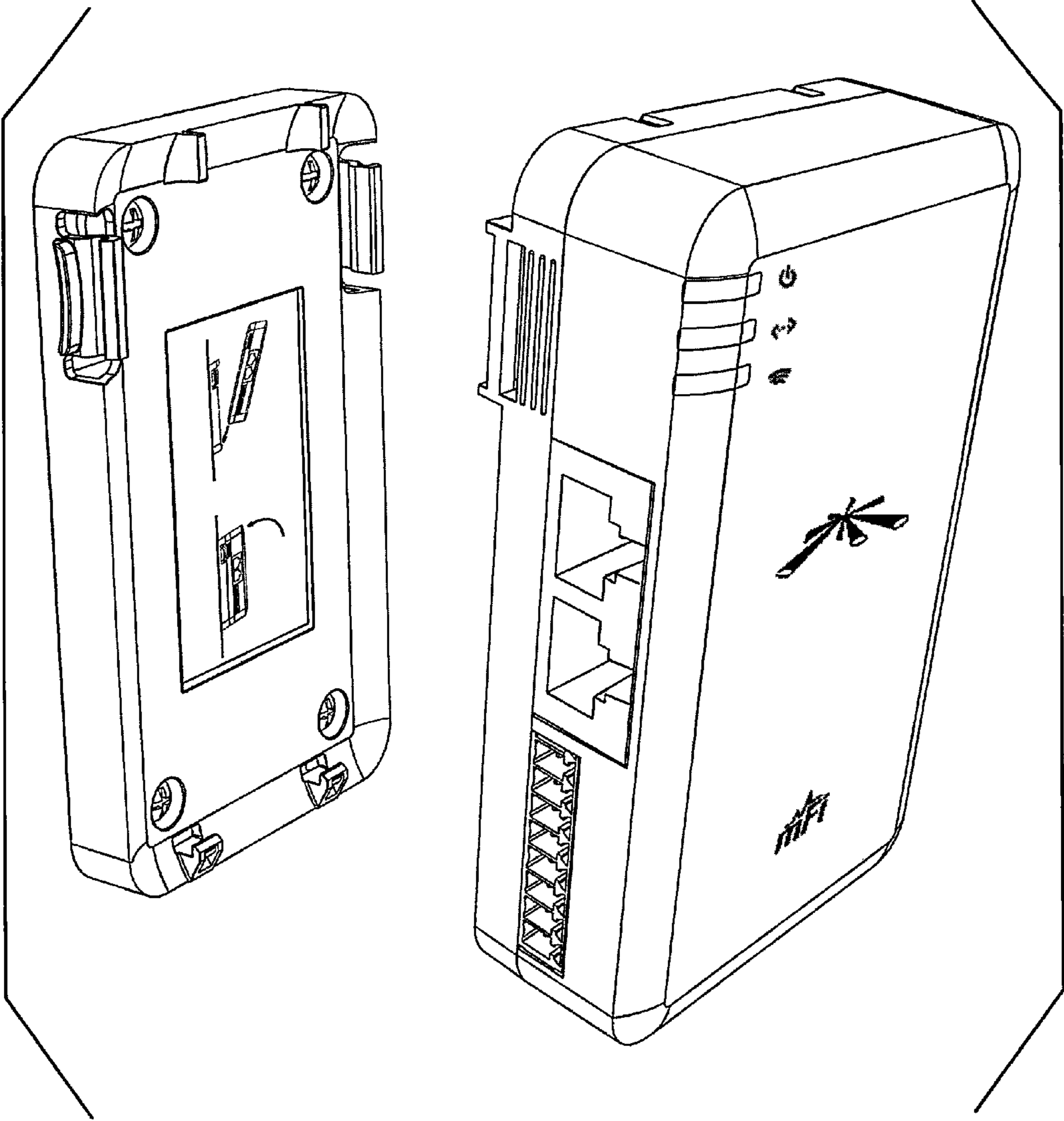


FIG. 2

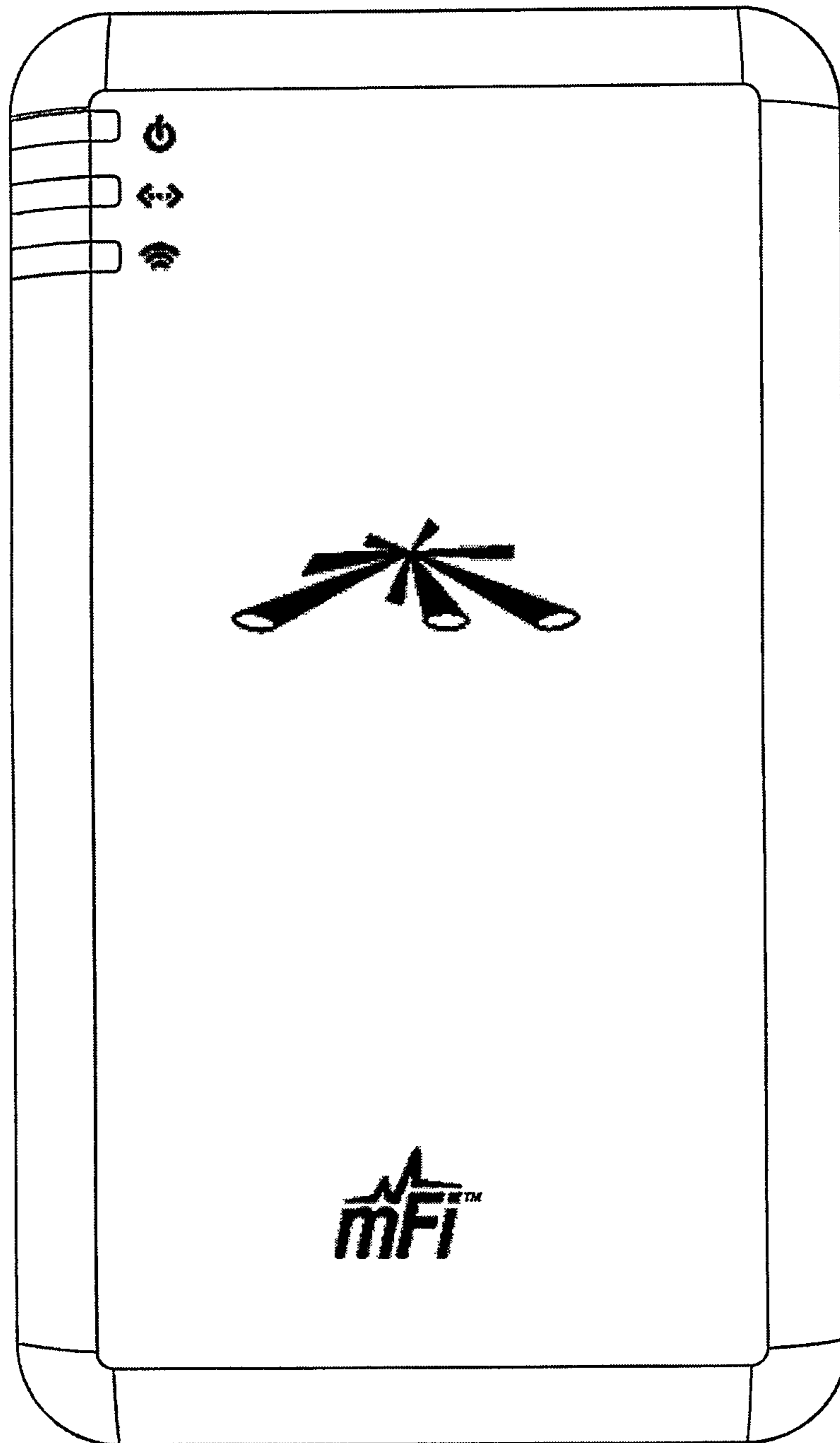


FIG. 3

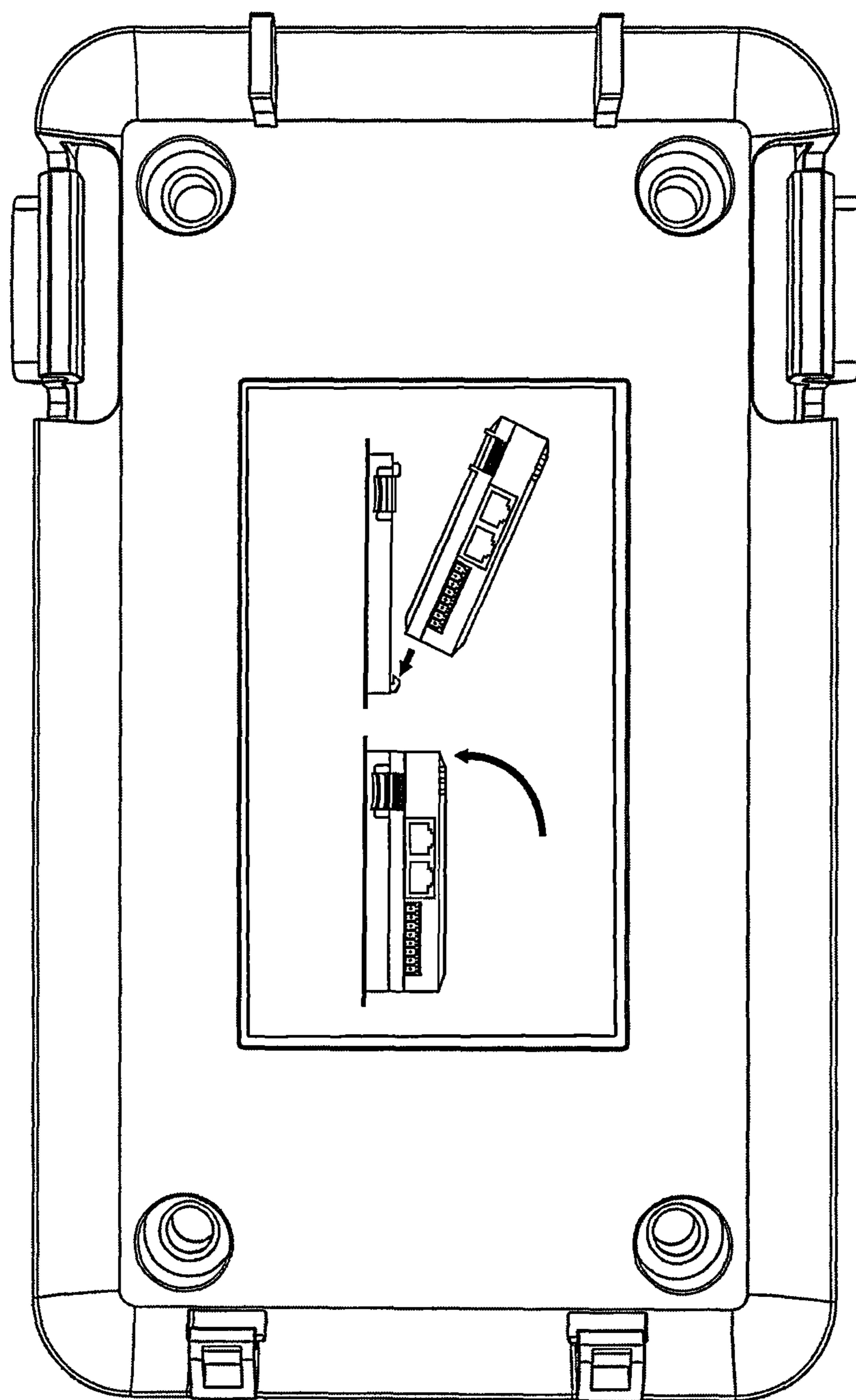


FIG. 4