



US00D733104S

(12) **United States Design Patent**
Yang

(10) **Patent No.:** **US D733,104 S**
(45) **Date of Patent:** **** Jun. 30, 2015**

- (54) **MAXIMUM BEAM ANTENNA**
- (71) Applicant: **Airgain, Inc.**, Carlsbad, CA (US)
- (72) Inventor: **Xiaoping Yang**, Carlsbad, CA (US)
- (73) Assignee: **Airgain, Inc.**, San Diego, CA (US)
- (**) Term: **14 Years**
- (21) Appl. No.: **29/443,494**
- (22) Filed: **Jan. 18, 2013**
- (51) **LOC (10) Cl.** **14-03**
- (52) **U.S. Cl.**
USPC **D14/230**
- (58) **Field of Classification Search**
USPC D14/230–238, 299, 358, 138;
343/700 R–705, 711–713, 871–908;
455/90.2–90.3, 91, 128, 269, 344
CPC H01Q 7/00; H01Q 13/10; H01Q 9/285;
H01Q 19/30; H01Q 19/12; H01Q 1/38;
H04B 1/0475; H04B 1/034; H05K 11/00
See application file for complete search history.

(56) **References Cited**

U.S. PATENT DOCUMENTS

4,319,249	A *	3/1982	Evans et al.	343/703
6,204,819	B1 *	3/2001	Hayes et al.	343/702
7,061,437	B2 *	6/2006	Lin et al.	343/702
D533,547	S *	12/2006	Sergi	D14/238
7,148,849	B2	12/2006	Lin	
D535,290	S *	1/2007	Su et al.	D14/230
D546,821	S	7/2007	Oliver	
D549,696	S	8/2007	Oshima et al.	
D554,111	S *	10/2007	Su et al.	D14/230
7,333,067	B2	2/2008	Hung et al.	
D573,589	S	7/2008	Montgomery et al.	
7,405,704	B1	7/2008	Lin et al.	
7,477,195	B2	1/2009	Vance	
D592,195	S	5/2009	Wu et al.	
7,538,729	B2 *	5/2009	Lin et al.	343/700 MS

D599,334	S	9/2009	Chiang
D606,053	S	12/2009	Wu et al.
D607,442	S	1/2010	Su et al.
D608,769	S	1/2010	Bufe

(Continued)

FOREIGN PATENT DOCUMENTS

CN	301290936	*	7/2010
JP	D1335587	*	7/2008

OTHER PUBLICATIONS

www.airgain.com PDF down load ultra60 DC antenna copyright 2009, online, site visited May 5, 2015, <http://www.airgain.com/wp-content/uploads/2012/04/Ultra-60DC-d1.pdf>.*

(Continued)

Primary Examiner — John Windmuller

Assistant Examiner — John R Yeh

(74) *Attorney, Agent, or Firm* — Clause Eight IPS; Michael Catania

(57) **CLAIM**

The ornamental design for a maximum beam antenna, as shown and described.

DESCRIPTION

FIG. 1 is a bottom plan view of the maximum beam antenna. FIG. 2 is a top plan view of the maximum beam antenna of FIG. 1.

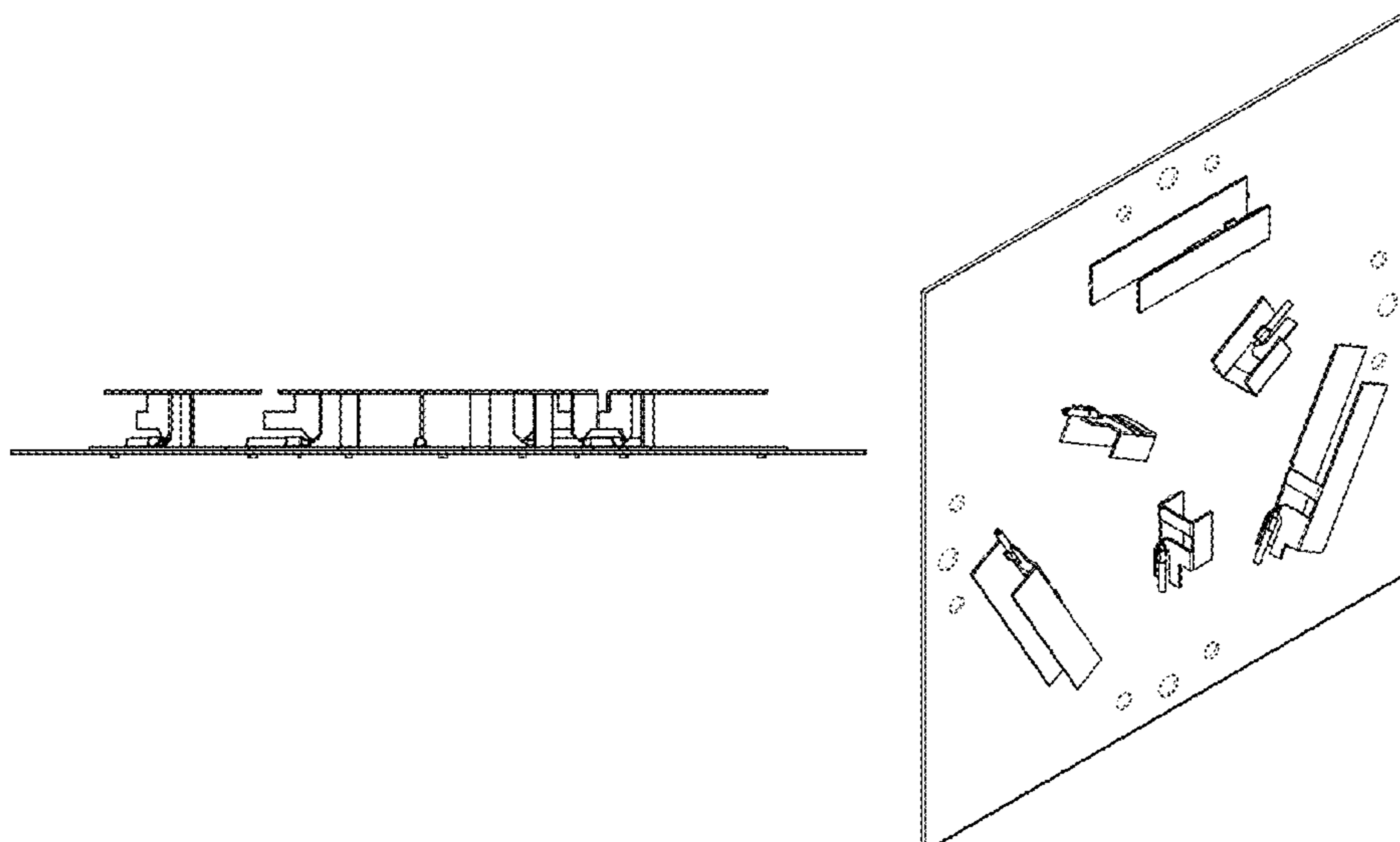
FIG. 3 is a side view of the maximum beam antenna of FIG. 1.

FIG. 4 is a side view of the maximum beam antenna of FIG. 1; and,

FIG. 5 is a top perspective view of the maximum beam antenna of FIG. 1.

The broken line showing is for illustrative purposes only and forms no part of the claimed design.

1 Claim, 5 Drawing Sheets



(56)

References Cited

U.S. PATENT DOCUMENTS

D612,368 S 3/2010 Yang et al.
 7,705,783 B2 4/2010 Rao et al.
 D621,819 S 8/2010 Tsai et al.
 7,843,390 B2 11/2010 Liu
 D633,483 S 3/2011 Su et al.
 D635,127 S 3/2011 Tsai et al.
 7,911,402 B2* 3/2011 Rowson et al. 343/745
 D635,560 S 4/2011 Tsai et al.
 D635,963 S 4/2011 Podduturi
 D635,964 S 4/2011 Podduturi
 D635,965 S 4/2011 Mi et al.
 D636,382 S 4/2011 Podduturi
 D649,962 S 12/2011 Tseng et al.
 D651,198 S 12/2011 Mi et al.
 D654,059 S 2/2012 Mi et al.
 D654,060 S 2/2012 Ko et al.
 D658,639 S 5/2012 Huang et al.
 D659,129 S 5/2012 Mi et al.
 D659,685 S 5/2012 Huang et al.
 D659,688 S 5/2012 Huang et al.
 D662,916 S 7/2012 Huang et al.
 D671,097 S 11/2012 Mi et al.
 D676,429 S 2/2013 Gosalia et al.
 D678,255 S 3/2013 Ko et al.
 D684,565 S* 6/2013 Wei D14/230
 D685,772 S 7/2013 Zheng et al.
 8,482,471 B2* 7/2013 Su 343/742

D707,665 S* 6/2014 Chu D14/230
 D710,832 S* 8/2014 Yang D14/230
 2002/0003499 A1 1/2002 Kouarn et al.
 2004/0222936 A1 11/2004 Hung et al.
 2005/0001768 A1* 1/2005 Sekiguchi et al. 343/700 MS
 2005/0073462 A1 4/2005 Lin et al.
 2005/0190108 A1 9/2005 Lin et al.
 2005/0237258 A1* 10/2005 Abramov et al. 343/834
 2006/0044196 A1* 3/2006 Grant et al. 343/713
 2006/0208900 A1 9/2006 Tavassoli Hozouri
 2007/0030203 A1 2/2007 Tsai et al.
 2008/0150829 A1 6/2008 Lin et al.
 2009/0002244 A1 1/2009 Woo
 2009/0058739 A1 3/2009 Konishi
 2009/0135072 A1 5/2009 Ke et al.
 2009/0262028 A1 10/2009 Mumburu et al.
 2010/0188297 A1 7/2010 Chen et al.
 2010/0309067 A1 12/2010 Tsou et al.
 2011/0006950 A1 1/2011 Park et al.
 2012/0038514 A1 2/2012 Bang
 2012/0229348 A1 9/2012 Chiang
 2012/0242546 A1 9/2012 Hu et al.
 2014/0210687 A1* 7/2014 Chiu et al. 343/872

OTHER PUBLICATIONS

www.airgain.com PDF down load ultra60 DL antenna copyright
 2008, online, site visited May 5, 2015, http://www.airgain.com/wp-content/uploads/2012/04/DS_Ultra60DL.pdf.*

* cited by examiner

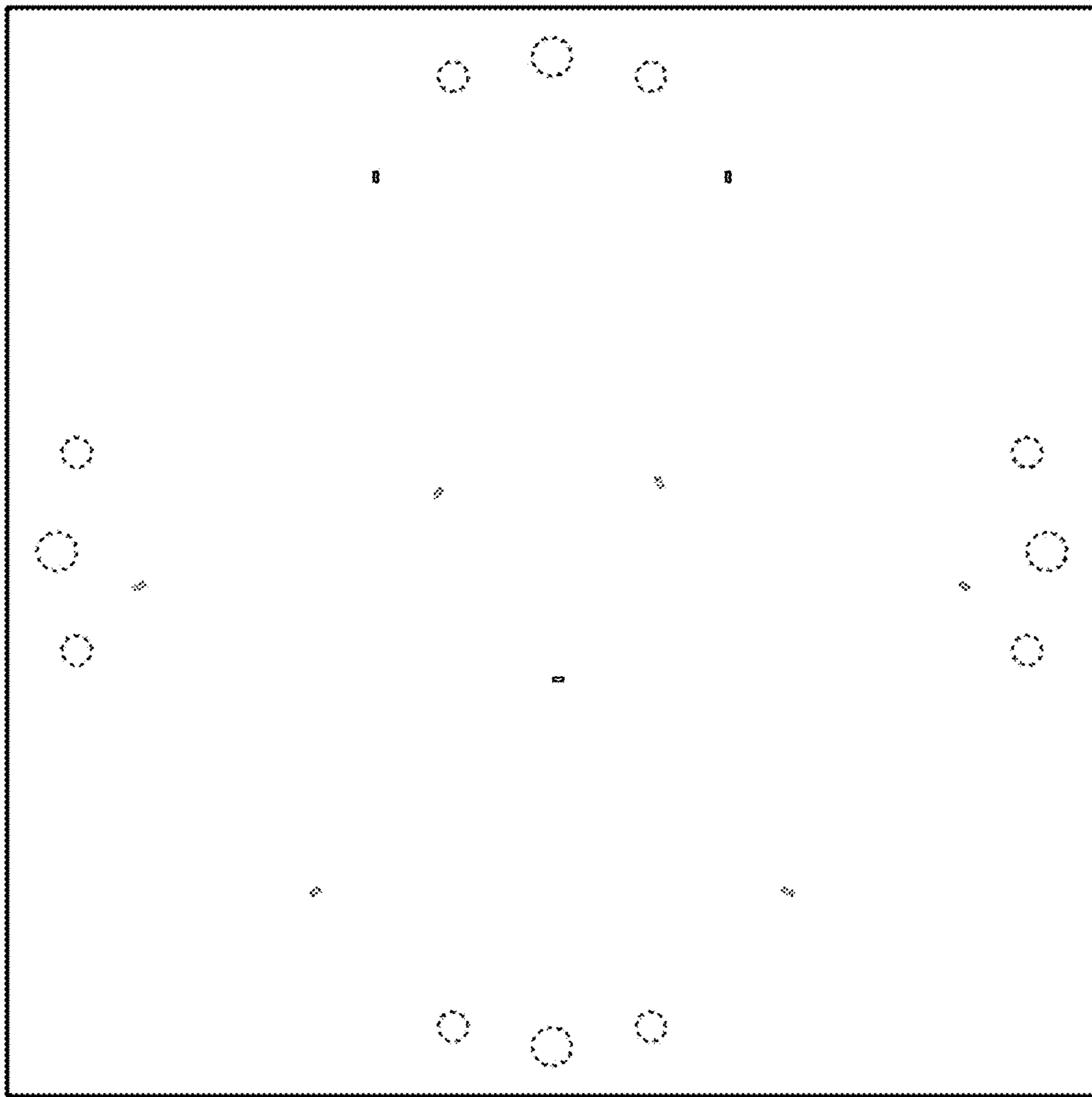


FIG. 1

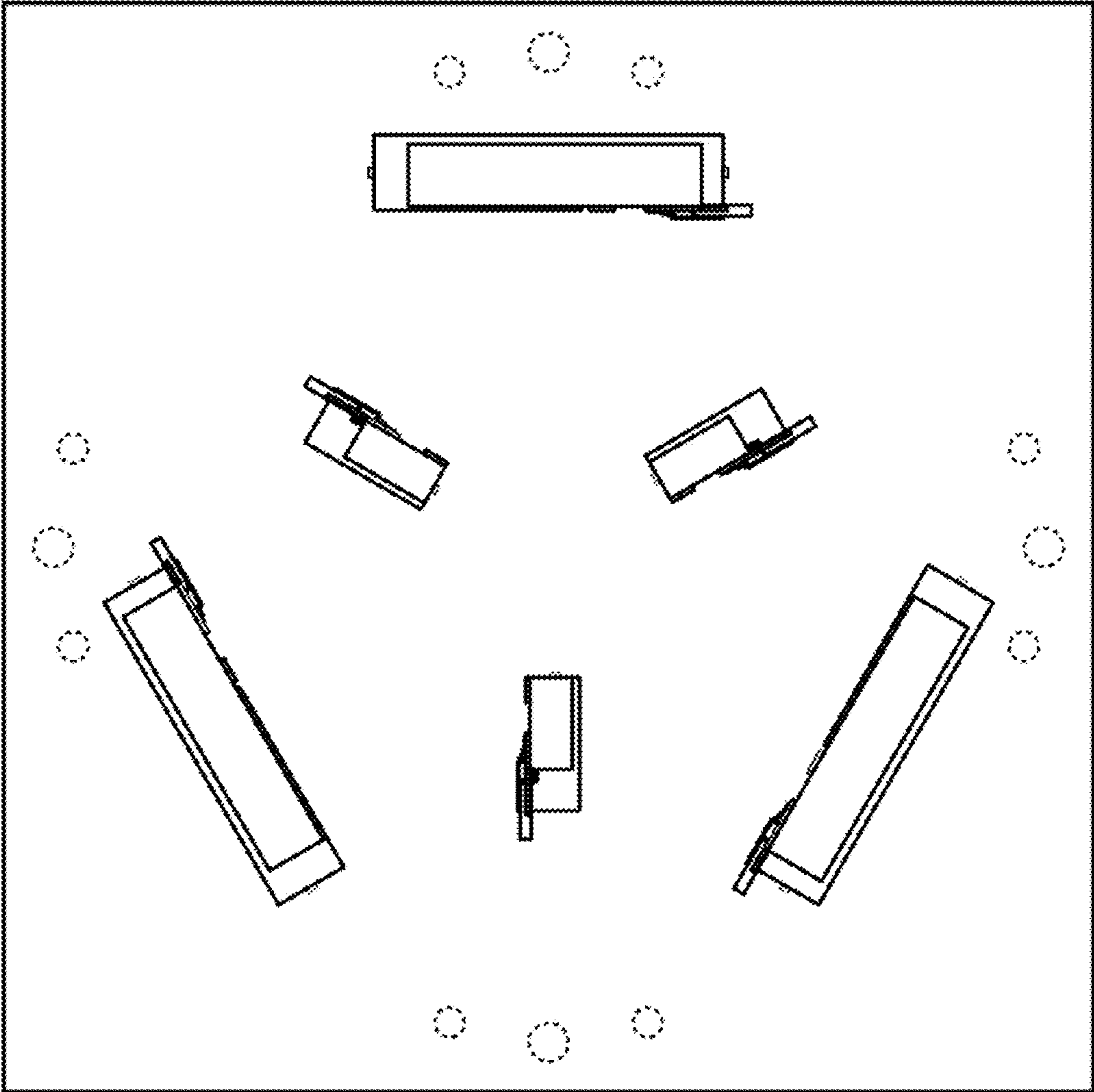


FIG. 2

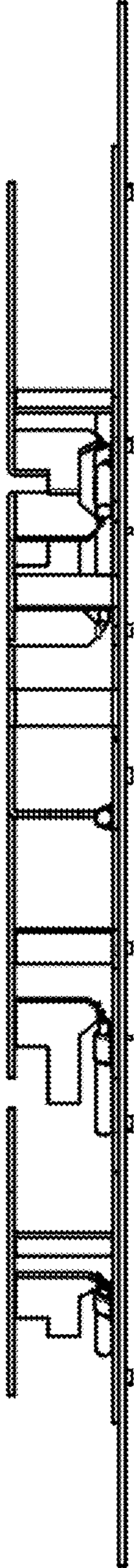


FIG. 3

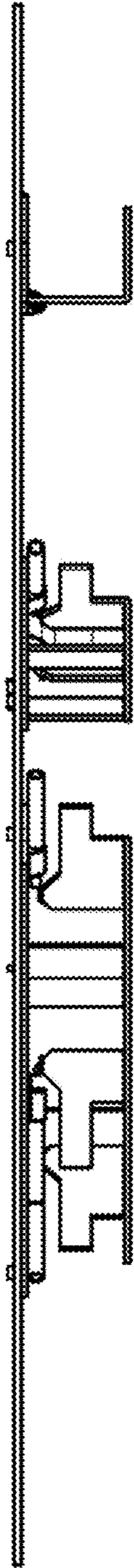


FIG. 4

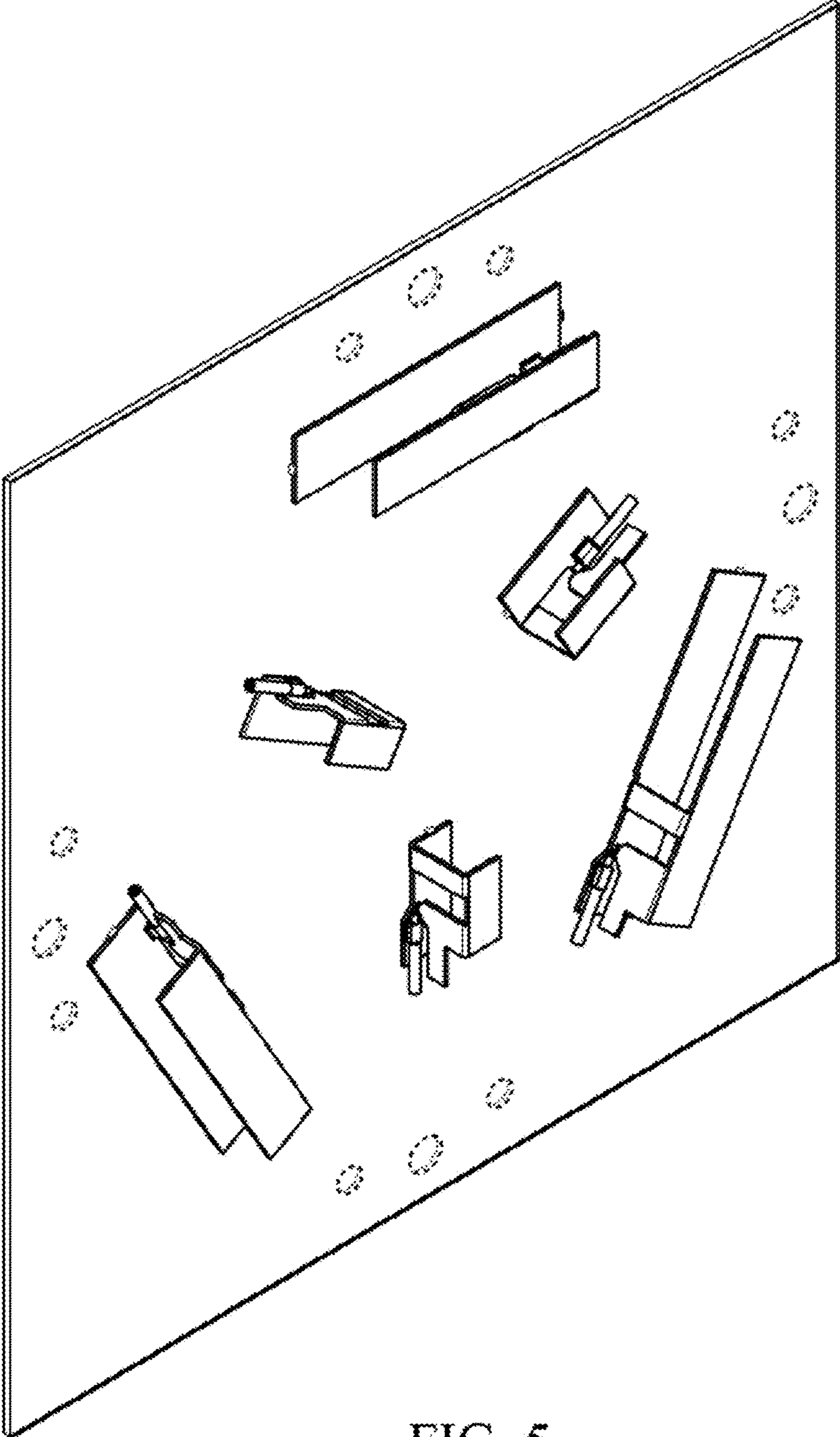


FIG. 5