



US00D733102S

(12) **United States Design Patent**
Palmborg et al.

(10) **Patent No.:** **US D733,102 S**
(45) **Date of Patent:** **** *Jun. 30, 2015**

(54) **EAR BUD**

(71) Applicant: **Doppler Labs, Inc.**, New York, NY (US)

(72) Inventors: **Nils Jacob Palmborg**, Brooklyn, NY (US); **Richard Fritz Lanman, III**, New York, NY (US); **Noah Kraft**, Brooklyn, NY (US)

(73) Assignee: **Doppler Labs, Inc.**, New York, NY (US)

(*) Notice: This patent is subject to a terminal disclaimer.

(**) Term: **14 Years**

(21) Appl. No.: **29/485,362**

(22) Filed: **Mar. 18, 2014**

(51) **LOC (10) Cl.** **14-01**

(52) **U.S. Cl.**
USPC **D14/223**

(58) **Field of Classification Search**
USPC D14/205, 206, 223; D24/174; D28/5, D28/8.1; D19/162; 132/73, 76.5; 181/129, 181/130, 135; 379/430, 431; 381/380, 381; 455/90.3, 575.1

CPC H04R 1/10
See application file for complete search history.

(56) **References Cited**

U.S. PATENT DOCUMENTS

237,861	A *	2/1881	Hare	248/690
D53,624	S *	7/1919	Woodward	D9/414
D167,873	S *	9/1952	Watson	D24/174
D185,740	S *	7/1959	Criswell	D24/174
3,048,526	A *	8/1962	Boswell	424/472
D206,665	S *	1/1967	Sanzone	D24/174

3,440,365	A *	4/1969	Hazell et al.	379/430
D258,091	S *	1/1981	Reed et al.	D24/101
D287,765	S *	1/1987	Topholm	D24/174
D360,691	S *	7/1995	Mostardo	D24/174
D410,493	S *	6/1999	Leveen et al.	D19/53
D436,580	S *	1/2001	Navano et al.	D14/486
D455,405	S *	4/2002	Bonn	D13/158
D467,346	S *	12/2002	Gerth	D24/200
D475,996	S *	6/2003	Skulley	D14/240
D494,571	S *	8/2004	Polito	D14/223
D541,684	S *	5/2007	Sandy et al.	D10/70
D555,146	S *	11/2007	Sandy	D14/167
D575,611	S *	8/2008	Clampitt et al.	D8/82
D583,341	S *	12/2008	Wang	D14/138 AB
D628,192	S *	11/2010	Hsu et al.	D14/218
D632,677	S *	2/2011	Brown et al.	D14/223
D725,082	S *	3/2015	Palmborg et al.	D14/223
2005/0172978	A1 *	8/2005	Tien	132/73

* cited by examiner

Primary Examiner — Paula Greene

(74) *Attorney, Agent, or Firm* — SoCal IP Law Group LLP; M. Kala Sarvaiya; Steven C. Sereboff

(57) **CLAIM**

We claim the ornamental design for an ear bud, as shown and described.

DESCRIPTION

FIG. 1 is a front view of an ear bud.
FIG. 2 is a rear view of the ear bud shown in FIG. 1.
FIG. 3 is a top, front perspective view of the ear bud shown in FIG. 1.
FIG. 4 is a top, side view of the ear bud shown in FIG. 1.
FIG. 5 is a right, side view of the ear bud shown in FIG. 1; and, FIG. 6 is a left, side view of the ear bud shown in FIG. 1.
The broken lines in FIGS. 1-6 are included for the purpose of illustrating the environment and form no part of the claimed design.

1 Claim, 4 Drawing Sheets

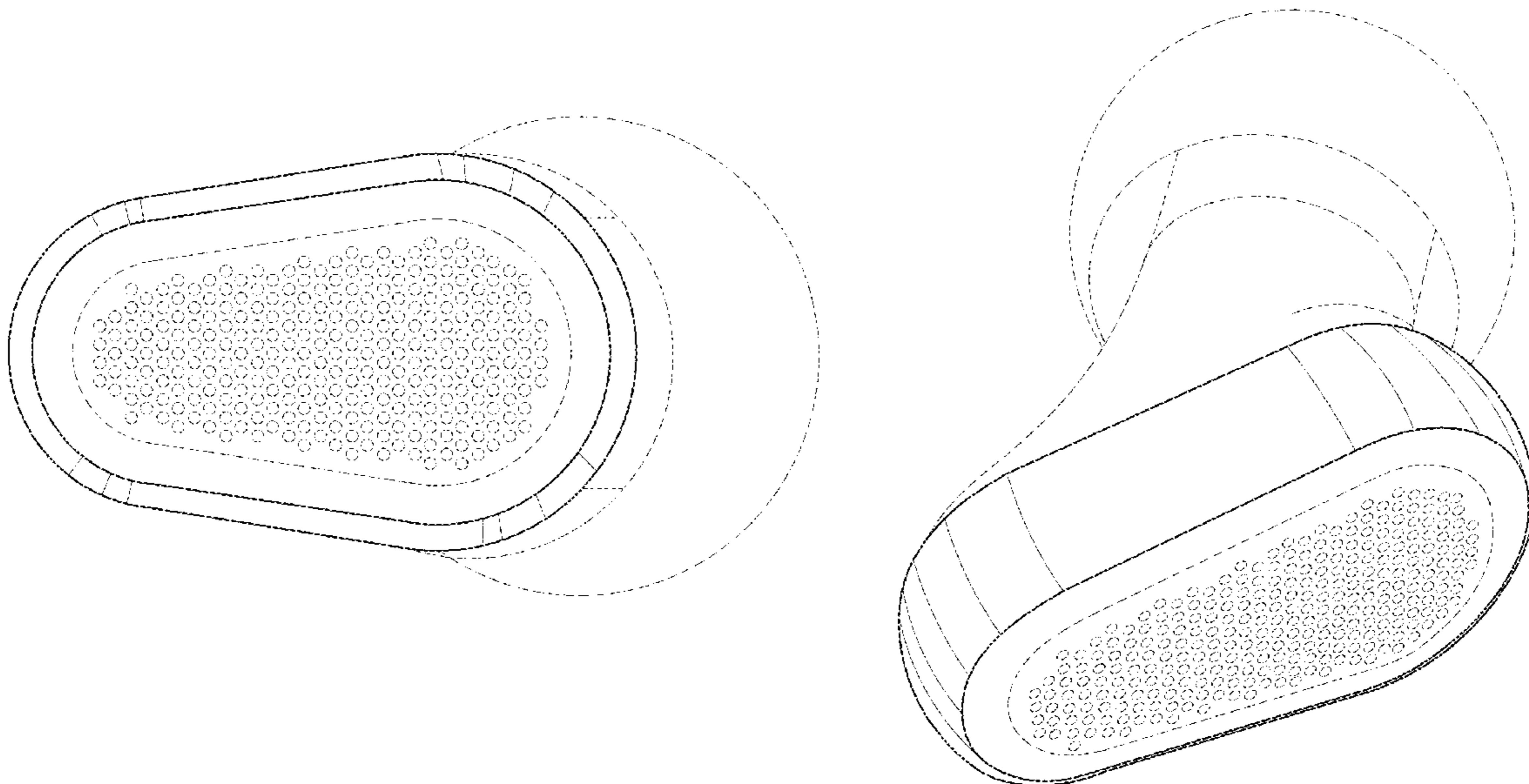


FIG. 1

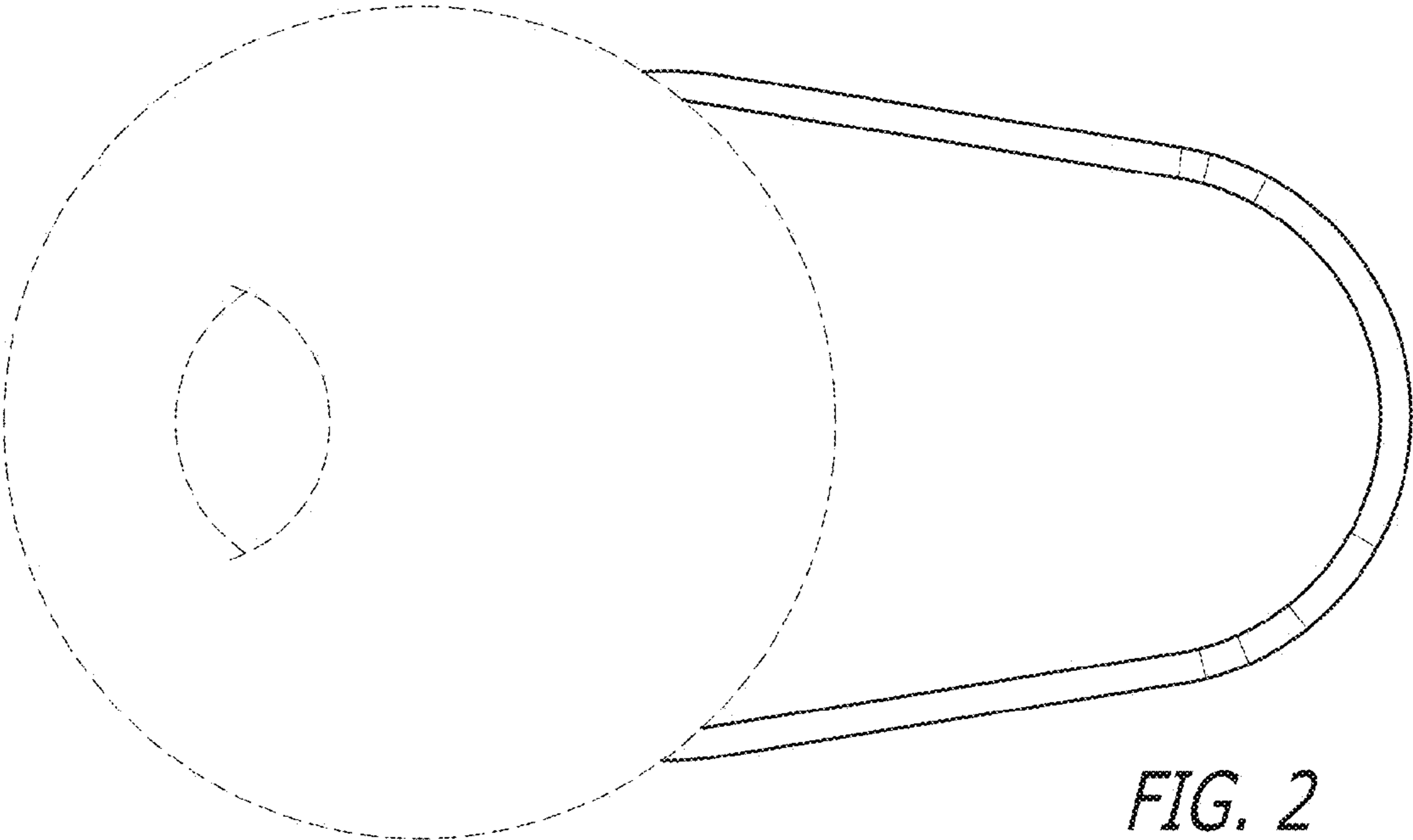
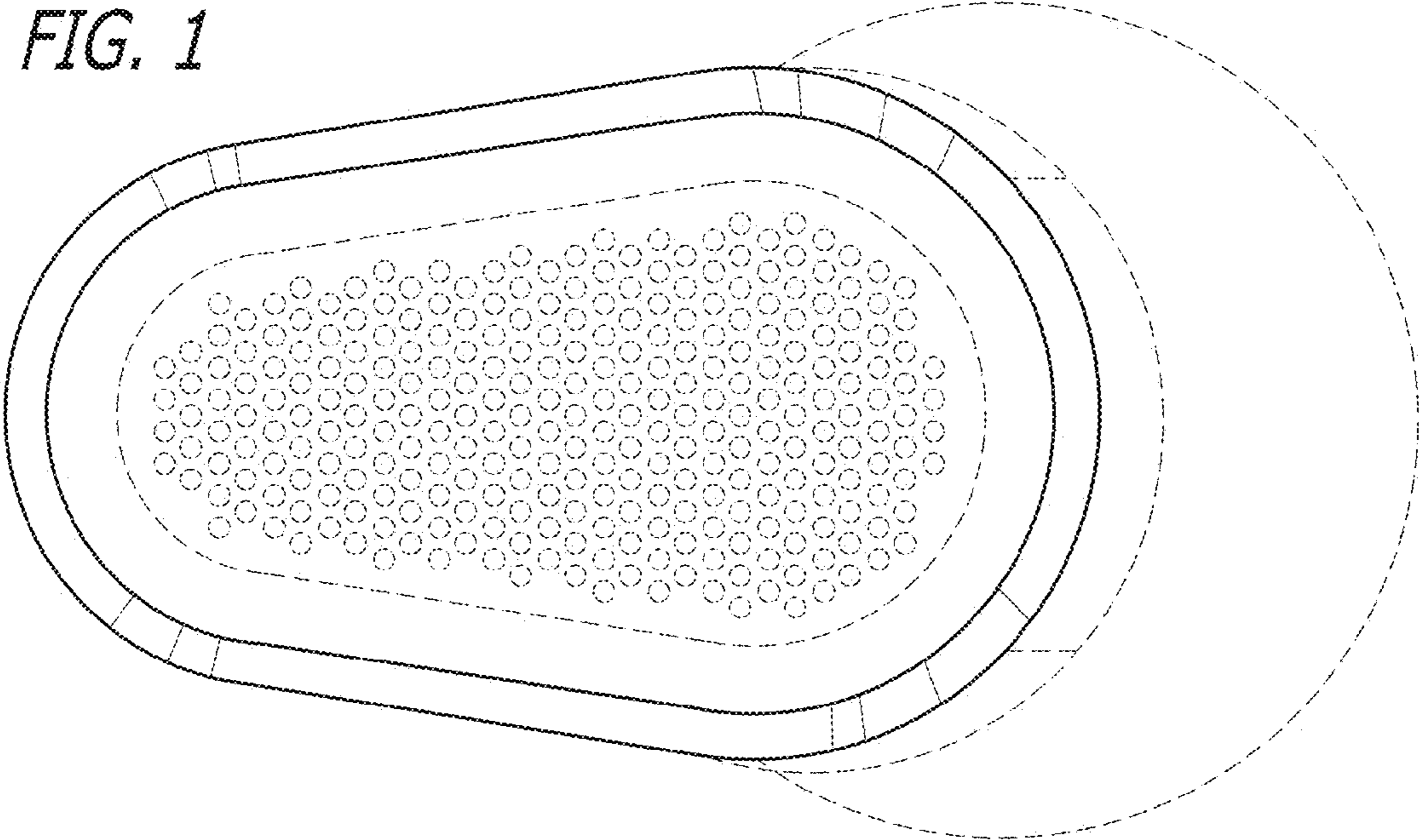
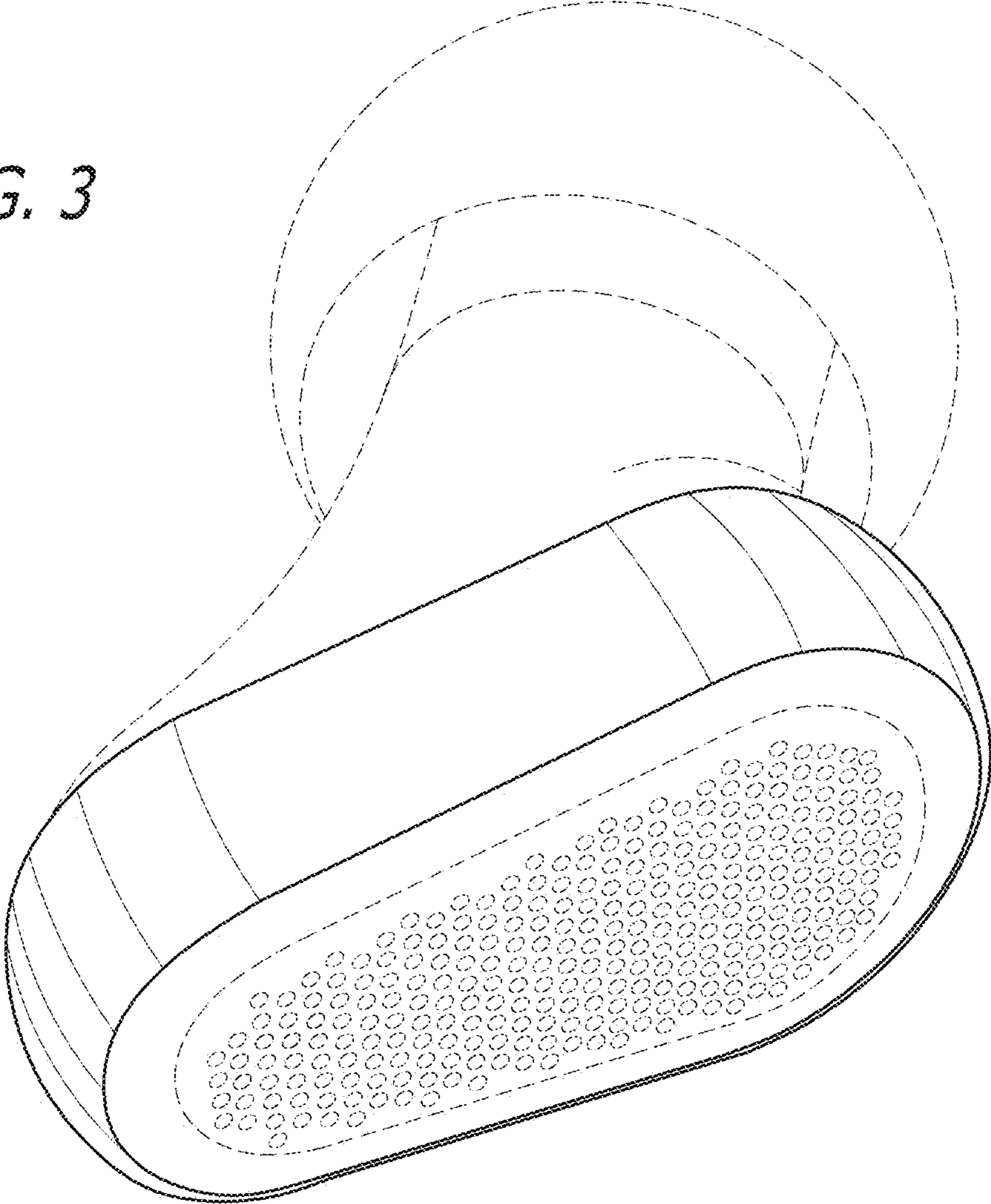


FIG. 2

FIG. 3



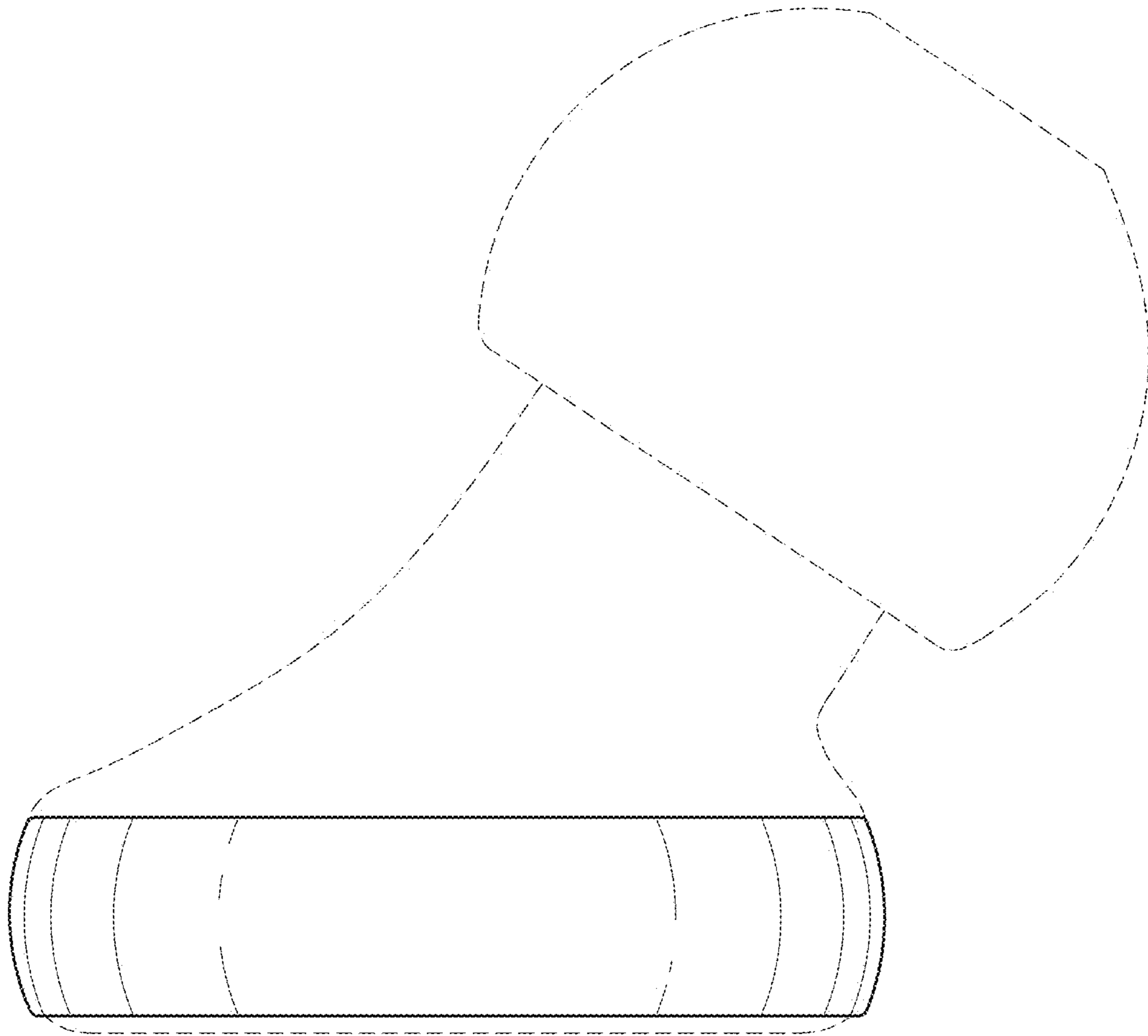


FIG. 4

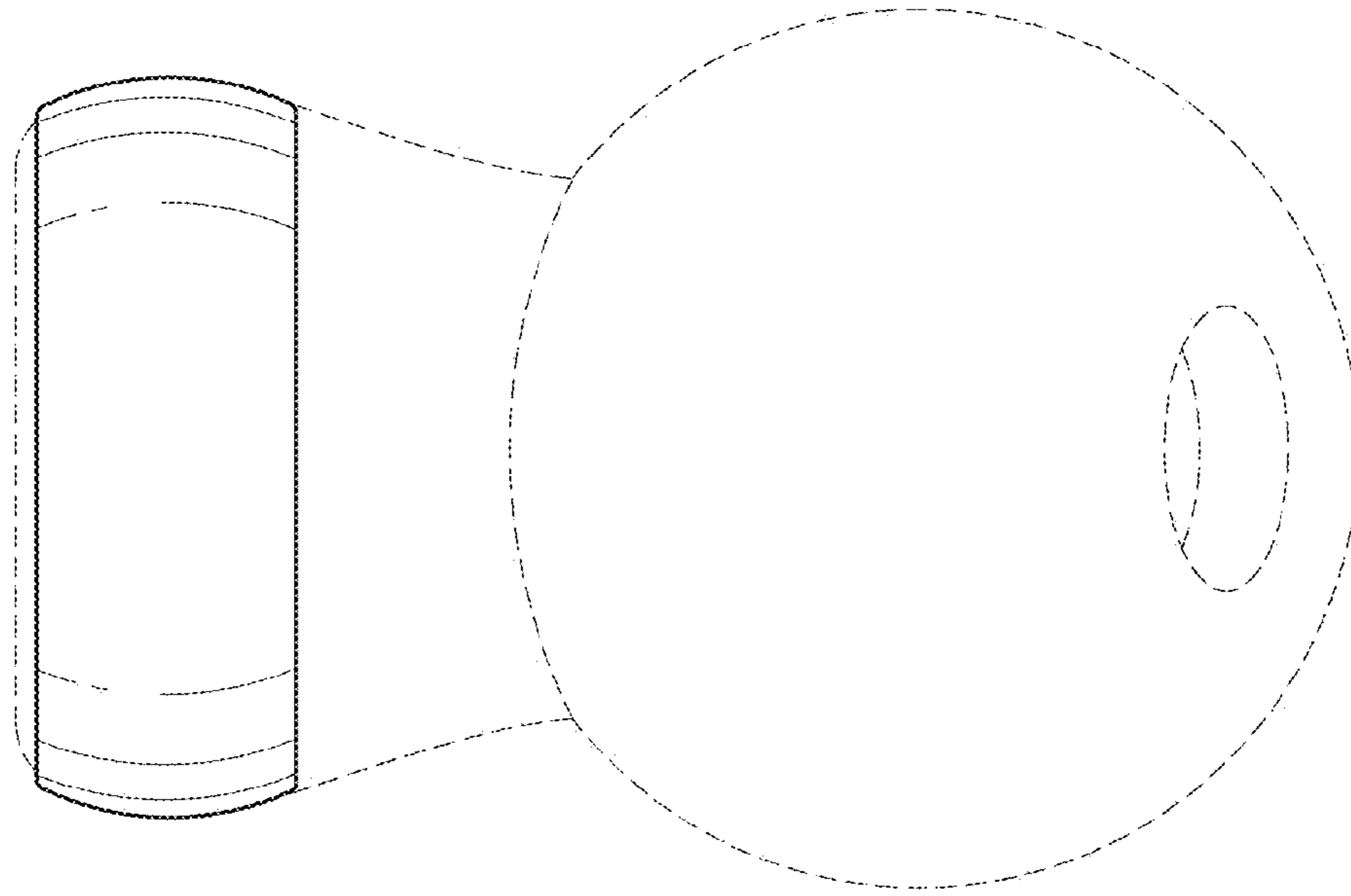


FIG. 5

FIG. 6

