



US00D733101S

(12) **United States Design Patent**
Pi et al.

(10) **Patent No.:** **US D733,101 S**
(45) **Date of Patent:** **** Jun. 30, 2015**

- (54) **PAIR OF EARBUDS**
- (71) Applicant: **Google Technology Holdings LLC**,
Mountain View, CA (US)
- (72) Inventors: **Jason S Pi**, San Jose, CA (US);
Christopher B Houghton, Chicago, IL
(US); **Max K Yoshimoto**, Sunnyvale,
CA (US)
- (73) Assignee: **Google Technology Holdings LLC**,
Mountain View, CA (US)
- (**) Term: **14 Years**
- (21) Appl. No.: **29/478,222**
- (22) Filed: **Jan. 2, 2014**
- (51) **LOC (10) Cl.** **14-01**
- (52) **U.S. Cl.**
USPC **D14/223**
- (58) **Field of Classification Search**
USPC D14/223, 205; 181/129, 130, 135;
379/430, 431; 381/380, 381, 374, 322,
381/328; 455/90.3, 575.1
CPC H04R 25/00
See application file for complete search history.

- D531,169 S * 10/2006 Tokioka et al. D14/223
- D554,109 S * 10/2007 Ledbetter et al. D14/223
- D554,627 S * 11/2007 Gondo D14/223
- D556,741 S * 12/2007 Yeo D14/223
- D557,689 S * 12/2007 Huang D14/223
- D564,495 S * 3/2008 Sasaki D14/205
- D572,703 S * 7/2008 Ledbetter et al. D14/205
- D573,977 S * 7/2008 Ledbetter et al. D14/205
- D573,978 S * 7/2008 Ledbetter et al. D14/205
- D586,332 S * 2/2009 Ewert et al. D14/223
- D587,685 S * 3/2009 Densho D14/206

(Continued)

Primary Examiner — Paula Greene

(74) *Attorney, Agent, or Firm* — Finnegan, Henderson,
Farabow, Garrett & Dunner, LLP

(57) **CLAIM**

The ornamental design for a pair of earbuds, as shown and
described.

DESCRIPTION

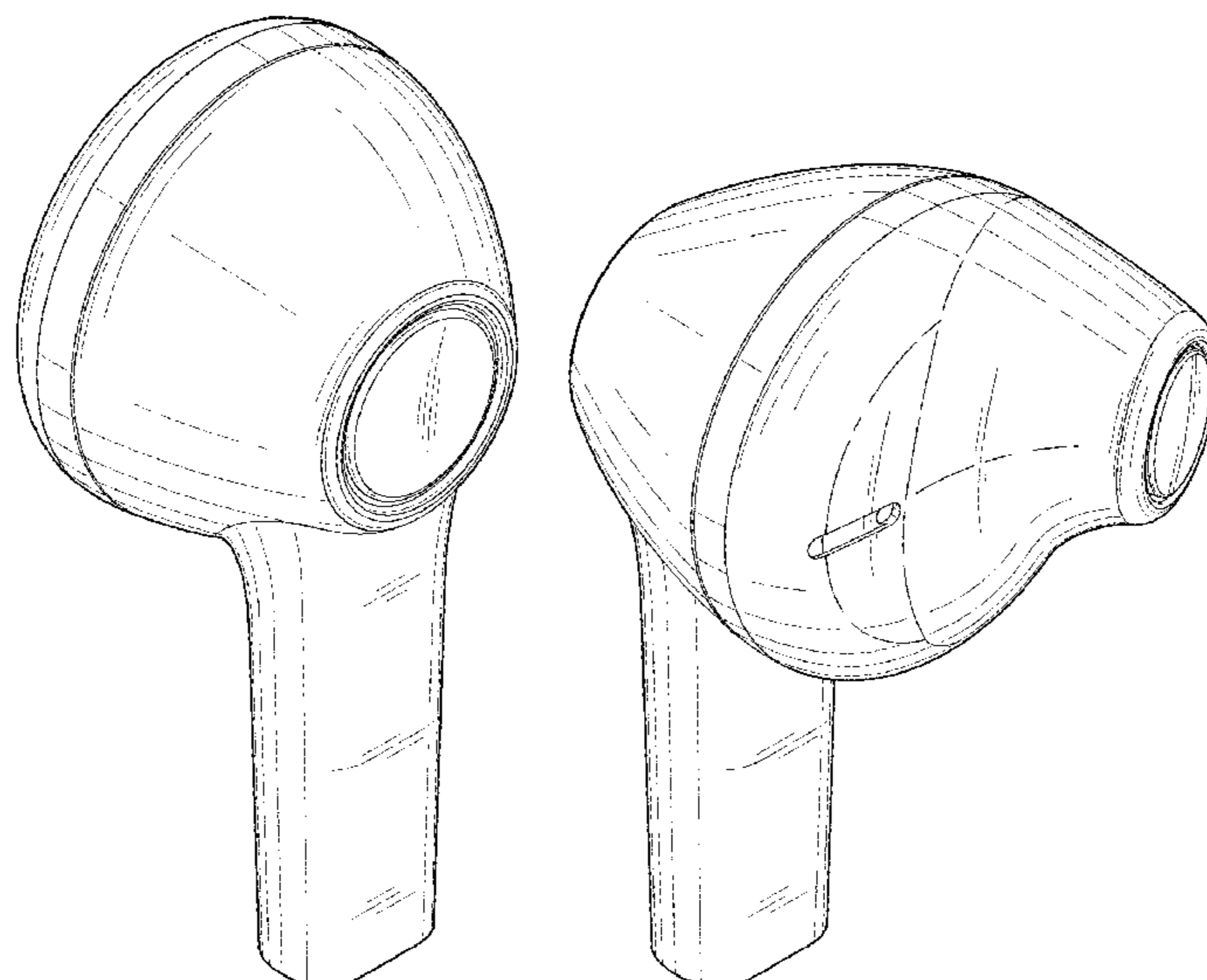
FIG. 1 is a top, rear, left perspective view of an ornamental
design for a right earbud of a pair of earbuds;
FIG. 2 is a top, rear, left perspective view of a left earbud of the
pair of earbuds;
FIG. 3 is a rear view of the right earbud shown in FIG. 1;
FIG. 4 is a rear view of the left earbud shown in FIG. 2;
FIG. 5 is a front view of the left earbud shown FIG. 2;
FIG. 6 is a front view of the right earbud shown in FIG. 1;
FIG. 7 is a right side view of the left earbud shown FIG. 2;
FIG. 8 is a left side view of the right earbud shown in FIG. 1;
FIG. 9 is a top view of the right earbud shown FIG. 1;
FIG. 10 is a top view of the left earbud shown FIG. 2;
FIG. 11 is a bottom view of the right earbud shown in FIG. 1;
and,
FIG. 12 is a bottom view of the left earbud shown FIG. 2.

1 Claim, 5 Drawing Sheets

(56) **References Cited**

U.S. PATENT DOCUMENTS

- 2,501,107 A * 3/1950 Volkmann 381/378
- 4,588,867 A * 5/1986 Konomi 379/430
- 4,972,492 A * 11/1990 Tanaka et al. 381/380
- D431,553 S * 10/2000 Suzuki D14/223
- 6,574,345 B1 * 6/2003 Huang 381/380
- D499,397 S * 12/2004 Hlas et al. D14/223
- D515,070 S * 2/2006 Andre et al. D14/205



(56)

References Cited

U.S. PATENT DOCUMENTS

D591,721 S *	5/2009	Densho	D14/205	D676,427 S *	2/2013	Yang	D14/223
D591,722 S *	5/2009	Densho	D14/205	D679,267 S *	4/2013	Lee et al.	D14/223
D593,537 S *	6/2009	Arimoto	D14/205	D681,015 S *	4/2013	Akana et al.	D14/223
D623,630 S *	9/2010	Ohori et al.	D14/223	D686,197 S	7/2013	Kurtz et al.	
D627,766 S *	11/2010	Arimoto	D14/223	D686,597 S *	7/2013	Lee et al.	D14/223
D652,823 S *	1/2012	Chen	D14/223	D689,471 S	9/2013	Hardi et al.	
D656,481 S *	3/2012	McManigal	D14/205	D707,652 S *	6/2014	Brunner et al.	D14/205
D662,493 S *	6/2012	Chen	D14/223	D711,857 S *	8/2014	Burgett et al.	D14/223
				2011/0211723 A1*	9/2011	Annunziato et al.	381/380
				2012/0237074 A1*	9/2012	Aase	381/380
				2013/0004011 A1*	1/2013	Hayashida et al.	381/380

* cited by examiner

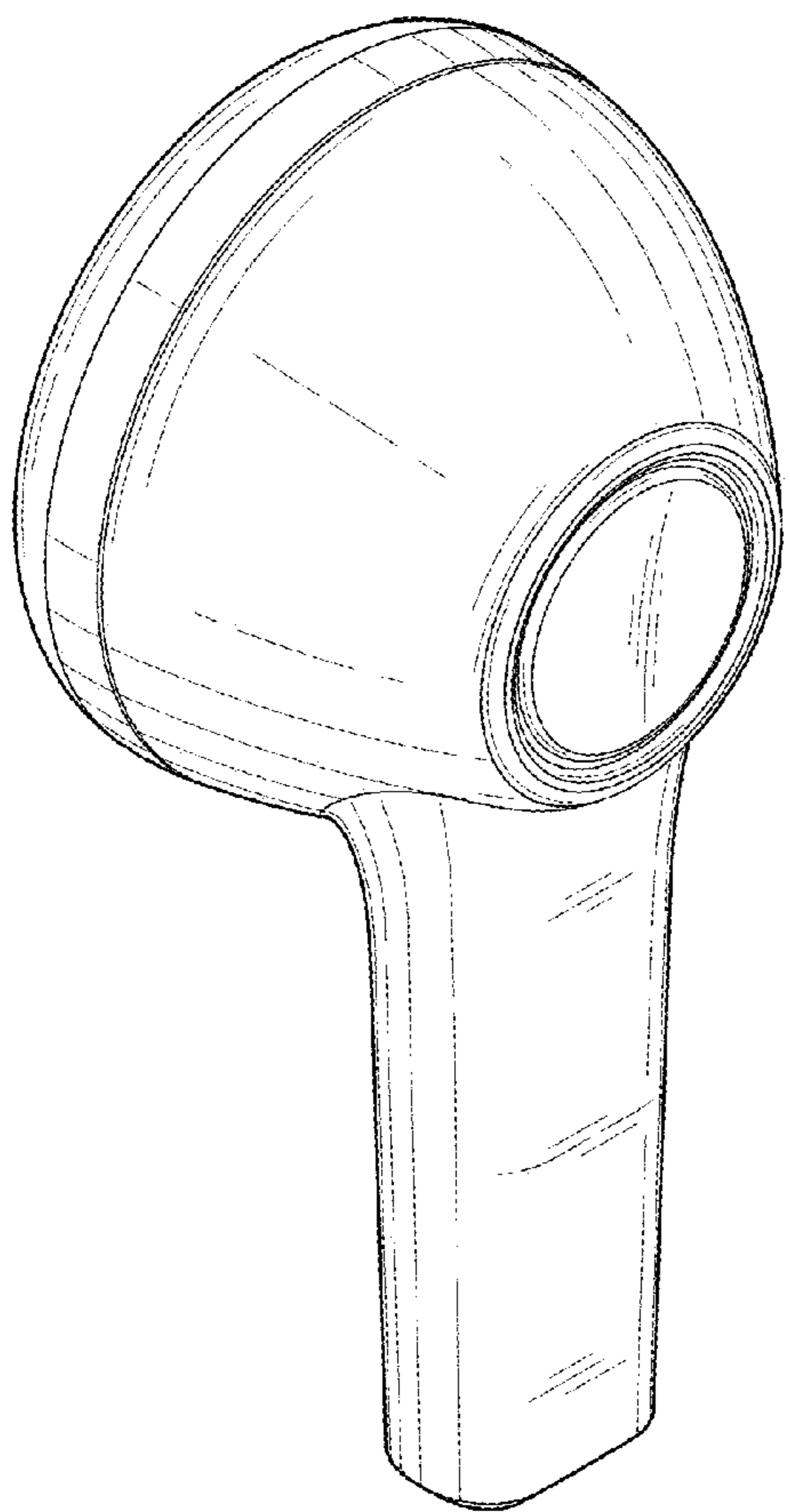


Fig. 1

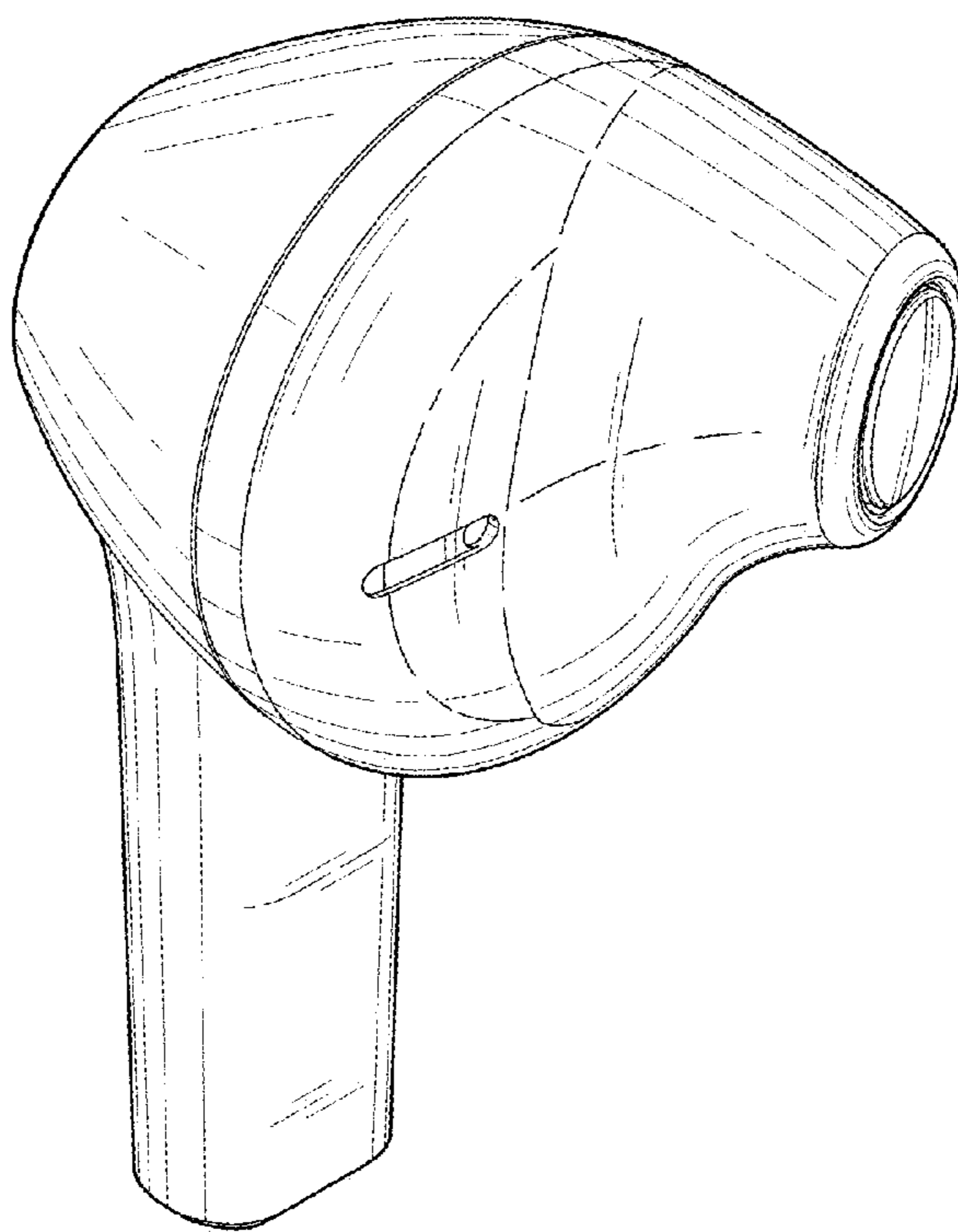


Fig. 2

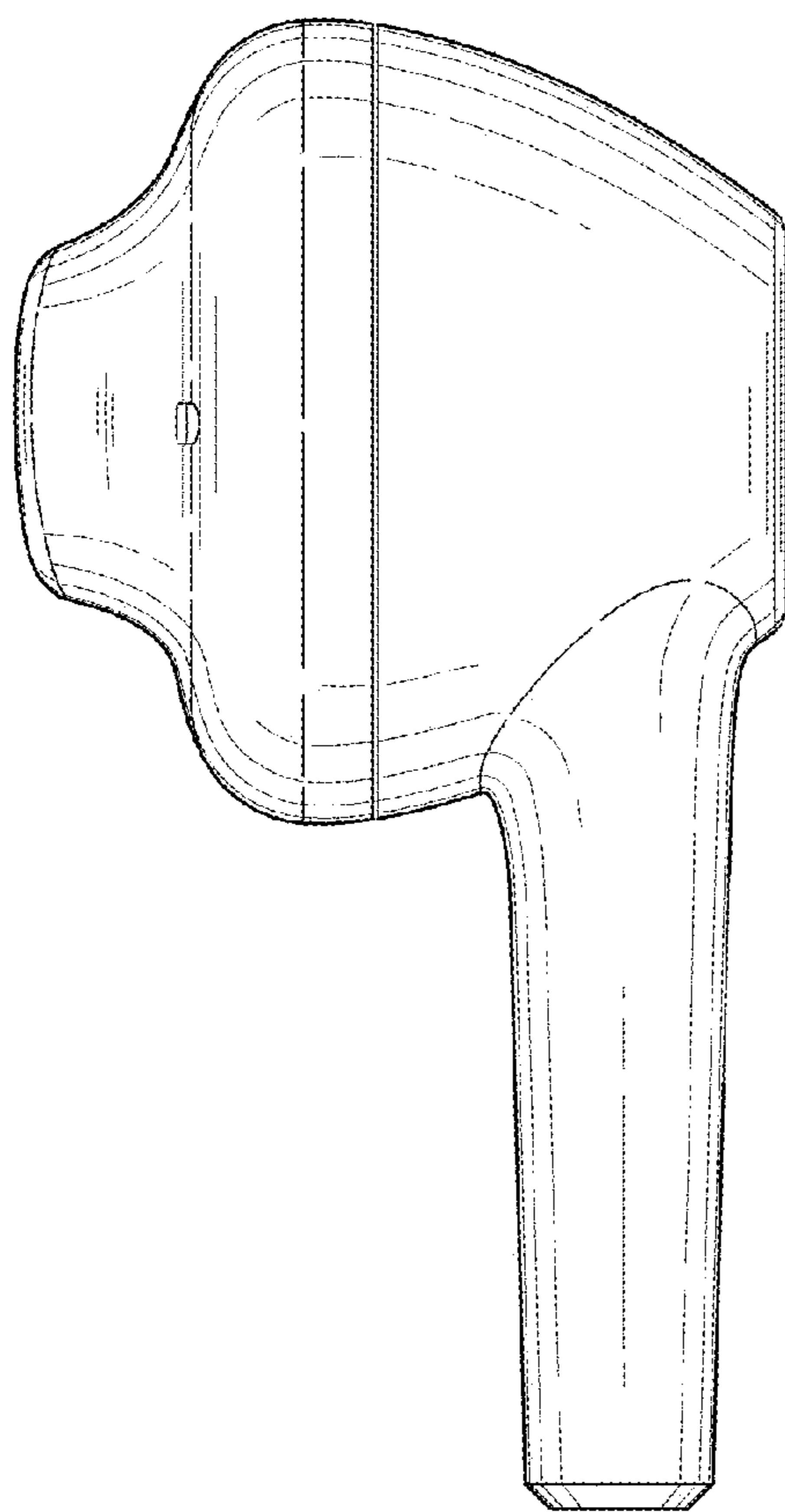


Fig. 3

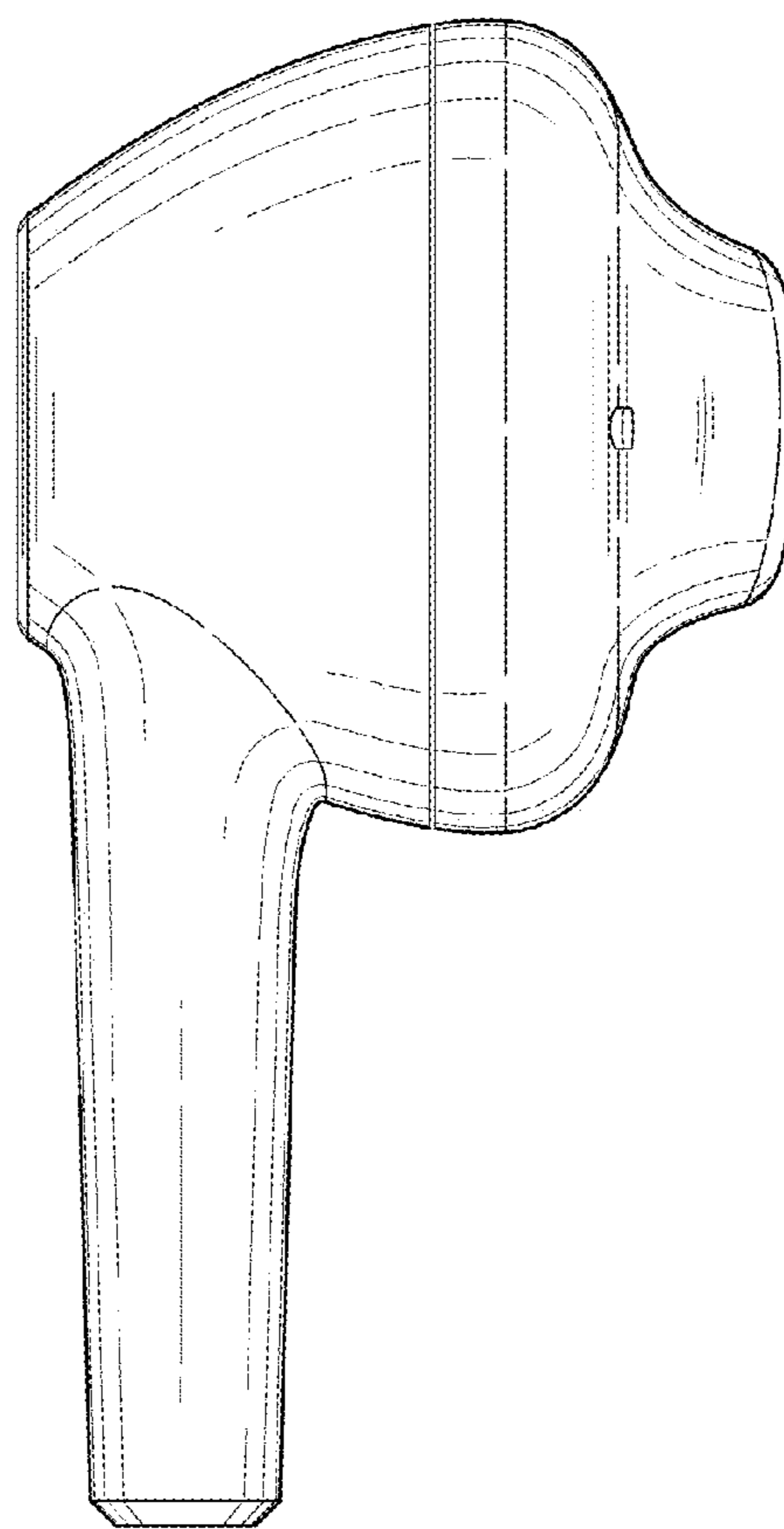


Fig. 4

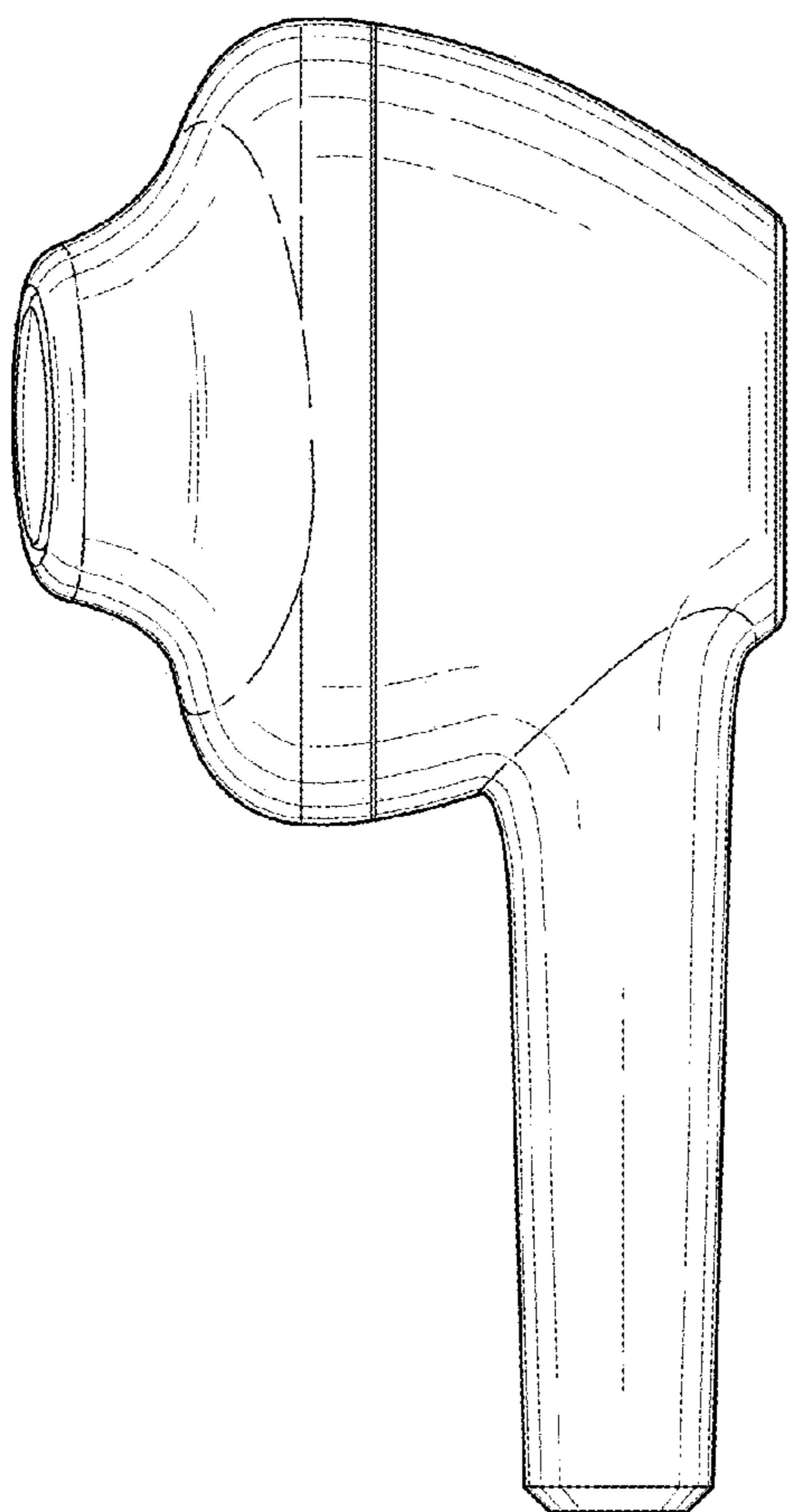


Fig. 5

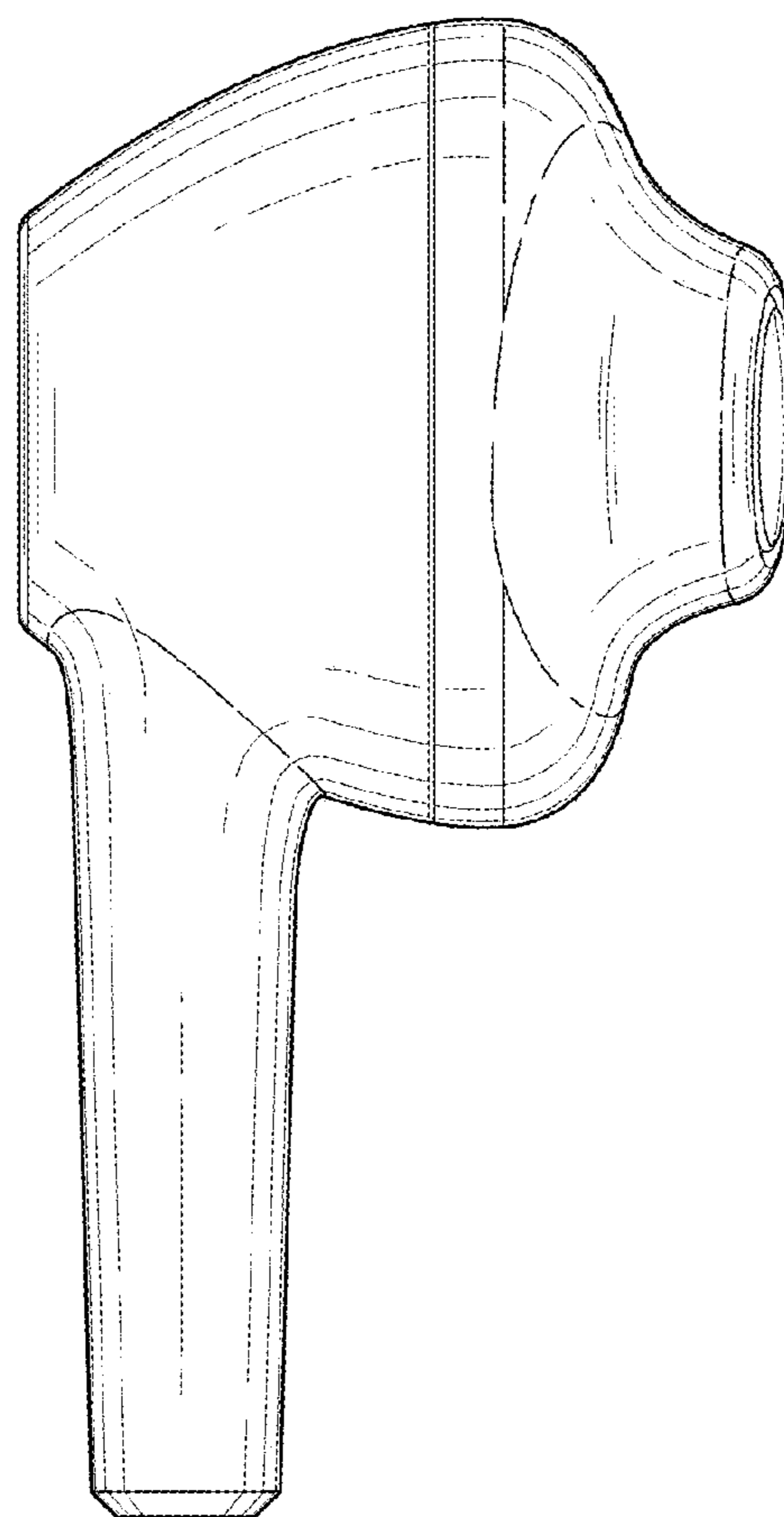


Fig. 6

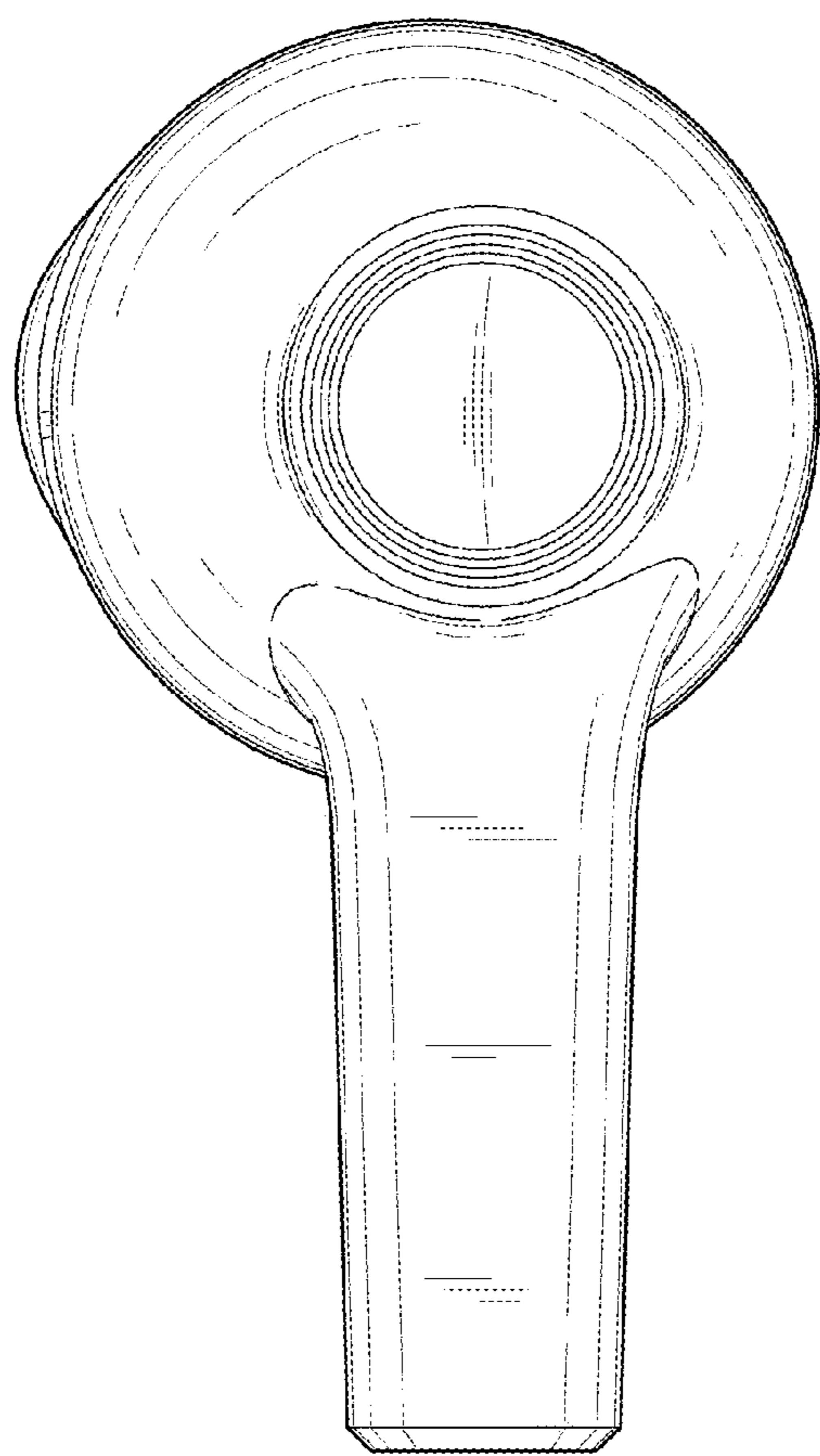


Fig. 7

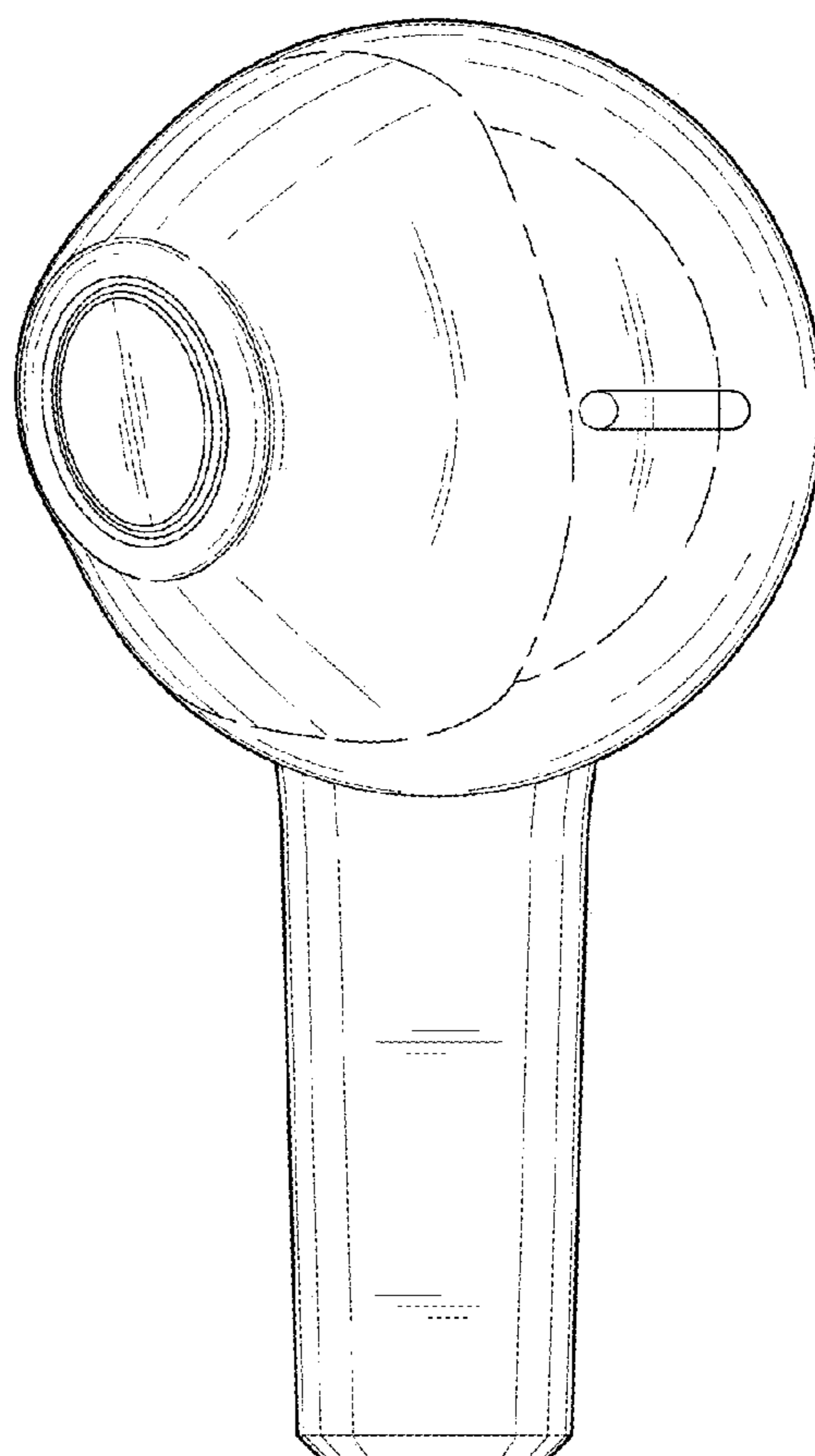


Fig. 8

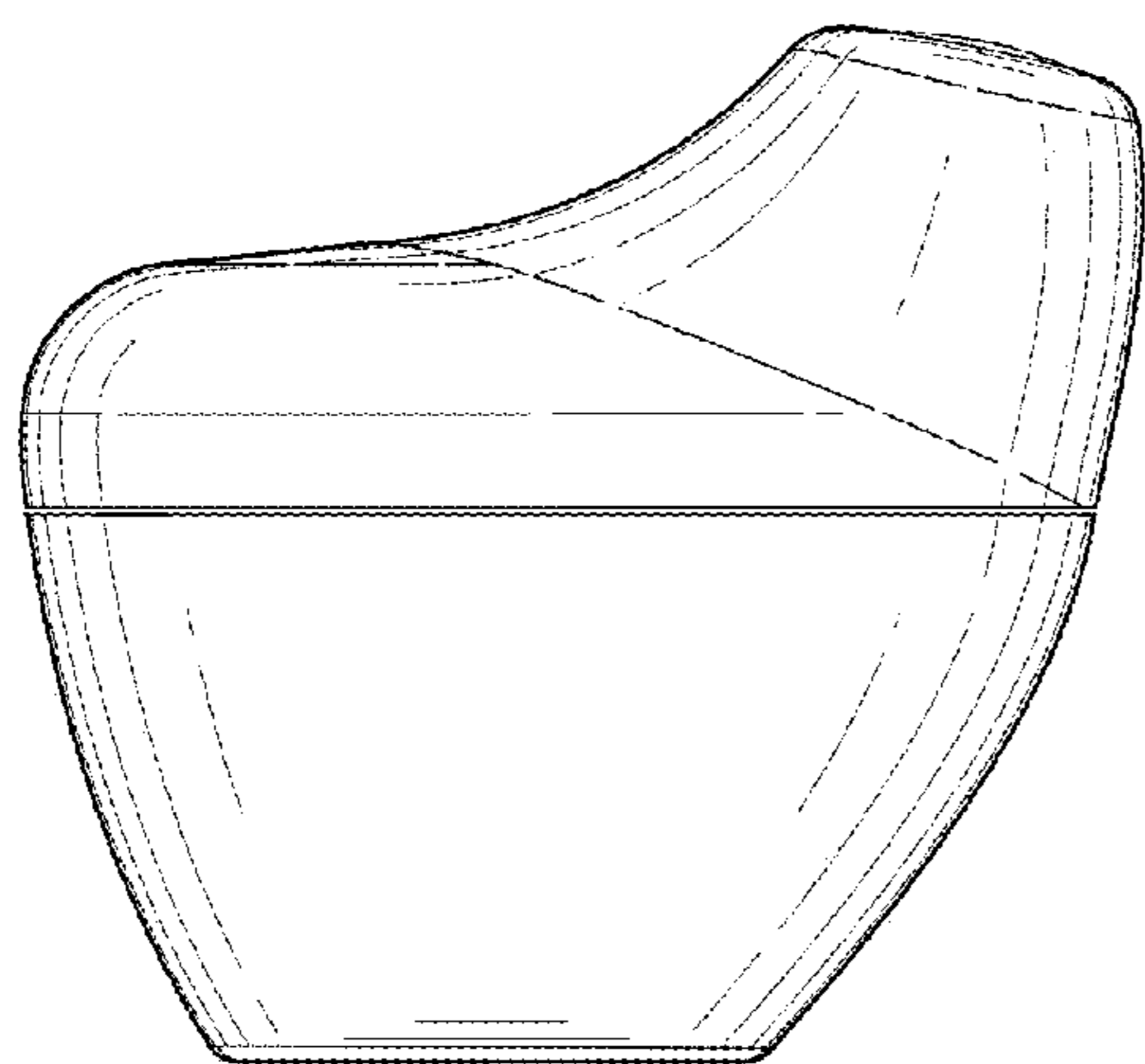


Fig. 9

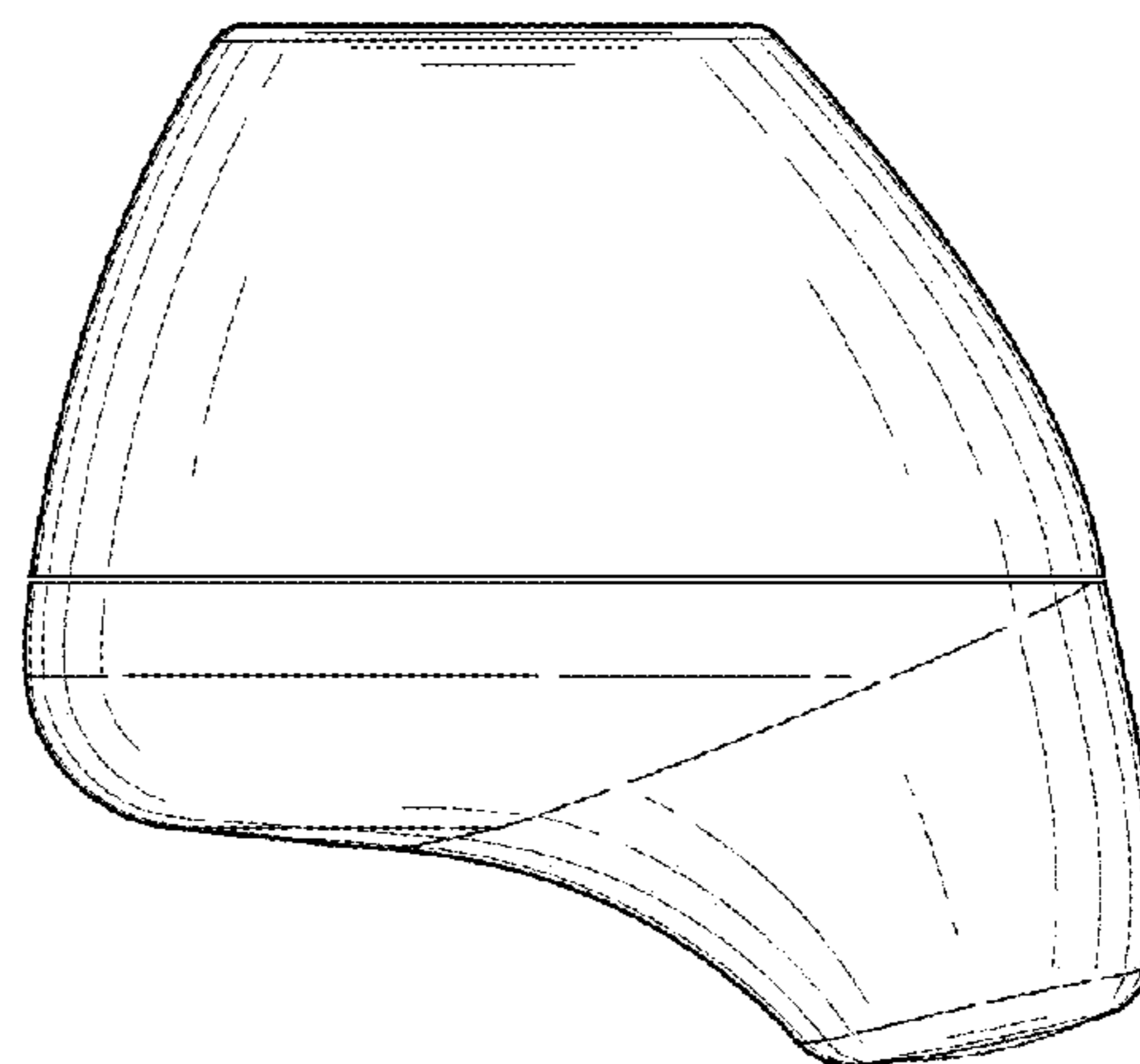


Fig. 10

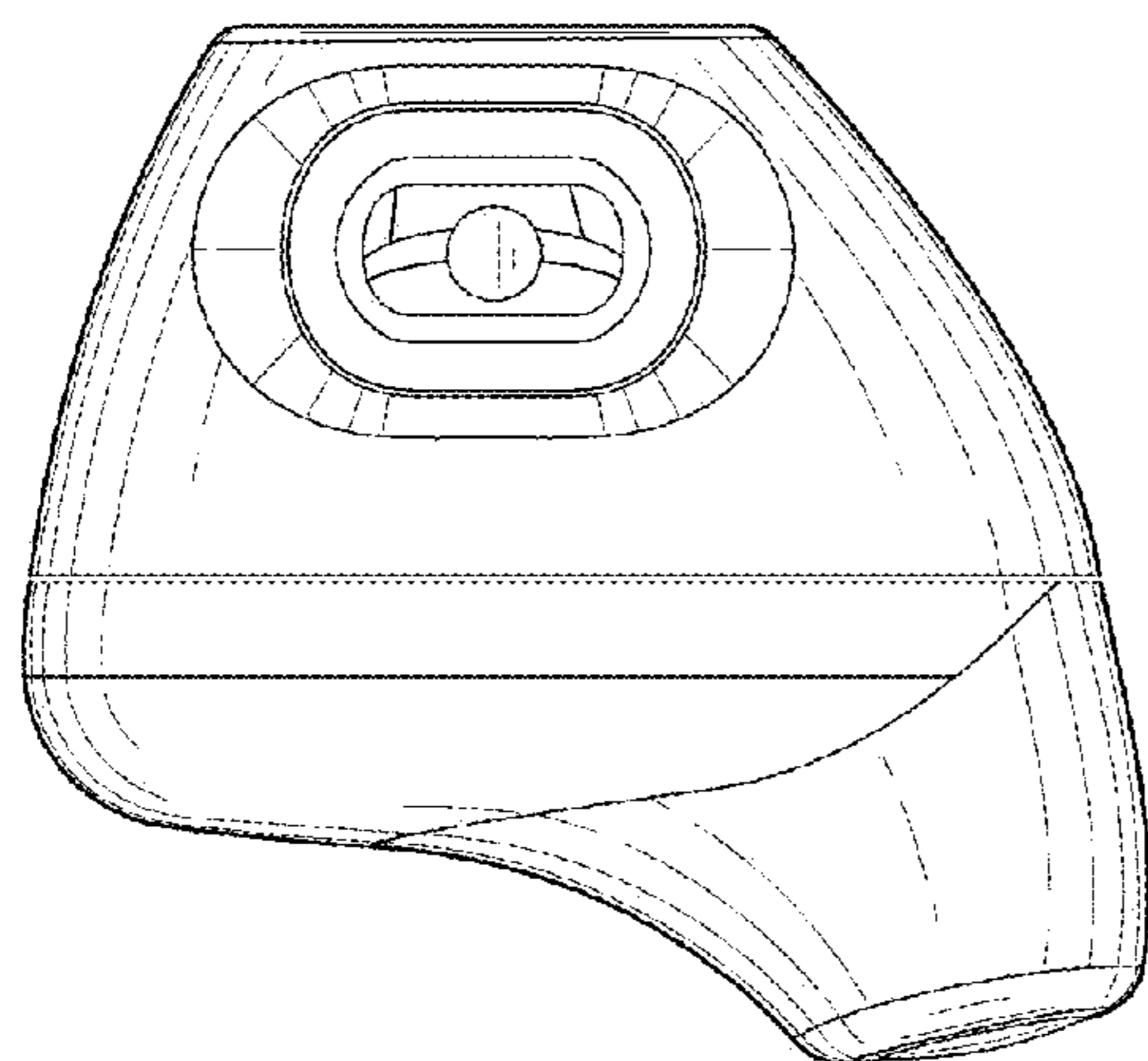


Fig. 11

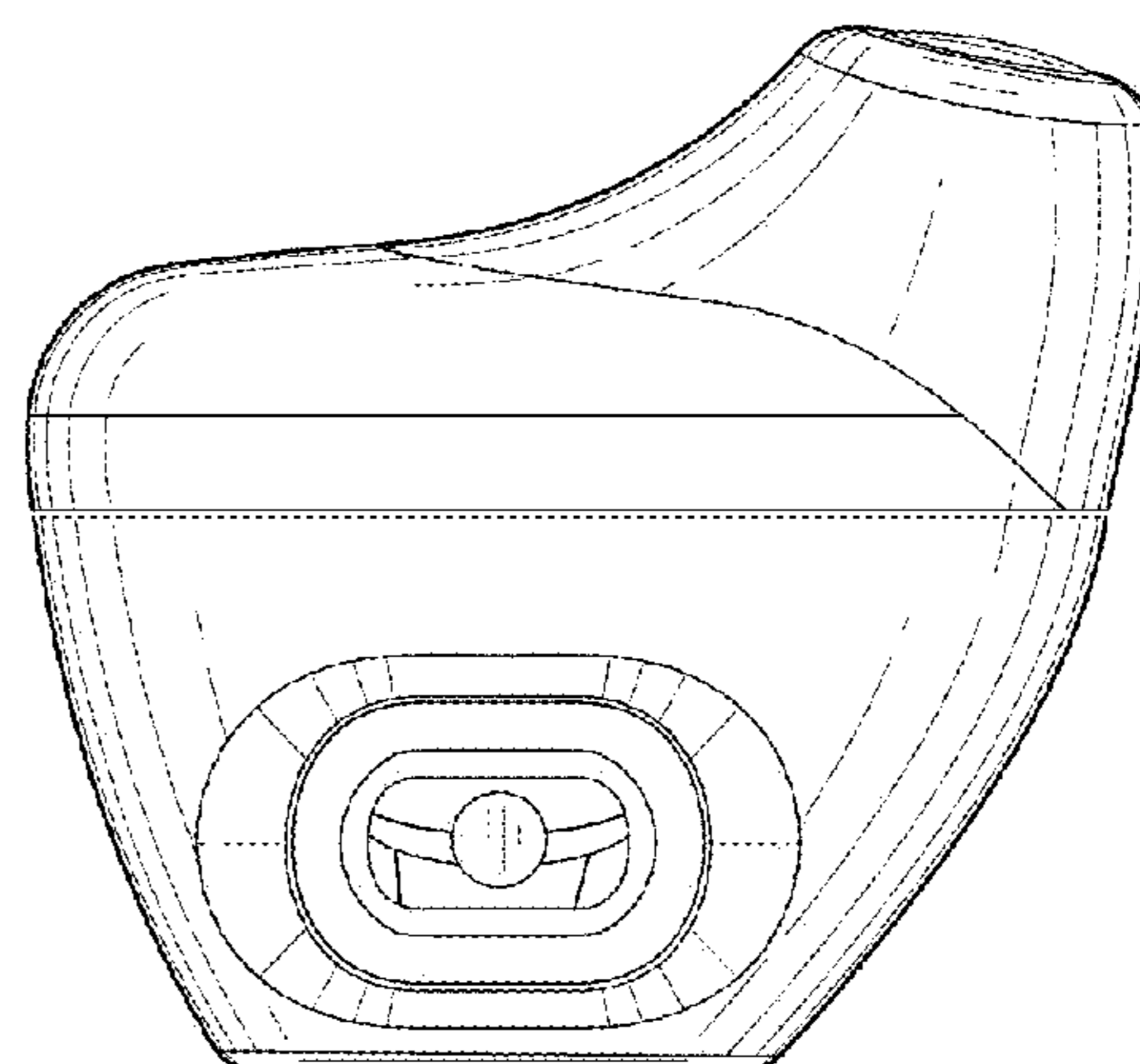


Fig. 12