



US00D733100S

(12) **United States Design Patent**
Kim

(10) **Patent No.:** **US D733,100 S**
(45) **Date of Patent:** **** Jun. 30, 2015**

(54) **REMOTE CONTROL**

(71) Applicant: **LG ELECTRONICS INC.**, Seoul (KR)

(72) Inventor: **Jongchul Kim**, Seoul (KR)

(73) Assignee: **LG Electronics Inc.**, Seoul (KR)

(**) Term: **14 Years**

(21) Appl. No.: **29/478,974**

(22) Filed: **Jan. 10, 2014**

(30) **Foreign Application Priority Data**

Jul. 11, 2013 (KR) 30-2013-0035909

(51) **LOC (10) Cl.** **14-03**

(52) **U.S. Cl.**
USPC **D14/218**

(58) **Field of Classification Search**
USPC D14/218, 137-139, 174, 151, 191-193,
D14/299, 167, 168, 221; D13/168,
D13/162-164; D21/512-517, 566;
D10/104, 106; 455/352-355,
455/151.1-151.4, 128, 347, 90.3; 348/114,
348/734

See application file for complete search history.

(56) **References Cited**

U.S. PATENT DOCUMENTS

D528,510 S *	9/2006	Schmieta et al.	D13/168
D532,777 S *	11/2006	Yu et al.	D14/218
D546,807 S *	7/2007	Lee	D14/138 AA
D568,827 S *	5/2008	Ikeda et al.	D13/168
D595,267 S *	6/2009	Dozoretz et al.	D14/218
D602,474 S *	10/2009	Hansen et al.	D14/218
D607,846 S *	1/2010	Daniels	D13/168
D621,371 S *	8/2010	Sheppard et al.	D13/168

D629,376 S *	12/2010	Choi et al.	D14/138 G
D640,240 S *	6/2011	McManigal	D14/218
D647,882 S *	11/2011	Kim et al.	D14/218
D654,478 S *	2/2012	Noh et al.	D14/218
D656,487 S *	3/2012	Corsini et al.	D14/218
D665,382 S *	8/2012	Kim et al.	D14/218
D676,009 S *	2/2013	Hirota	D14/138 AD
D679,266 S *	4/2013	Shin et al.	D14/218
D687,405 S *	8/2013	Takei	D14/138 G
D697,057 S *	1/2014	Kwon et al.	D14/218
D704,165 S *	5/2014	Won et al.	D14/218
D714,762 S *	10/2014	O'Neil	D14/218
D723,478 S *	3/2015	Turksu et al.	D13/168
D723,521 S *	3/2015	Chen et al.	D14/218
D725,633 S *	3/2015	Sung et al.	D14/218
2008/0204978 A1 *	8/2008	Haspil et al.	361/679
2012/0220352 A1 *	8/2012	Sato et al.	455/575.4

* cited by examiner

Primary Examiner — John Windmuller

(74) *Attorney, Agent, or Firm* — Morgan, Lewis & Bockius LLP

(57) **CLAIM**

The ornamental design for a remote control, as shown and described.

DESCRIPTION

FIG. 1 is a front, right side, perspective view of a remote control showing my new design; FIG. 2 is a front view thereof; FIG. 3 is a rear view thereof; FIG. 4 is a left side view thereof; FIG. 5 is a right side view thereof; FIG. 6 is a top view thereof; FIG. 7 is a bottom view thereof; and, FIG. 8 is a perspective view thereof in use with a charger. The broken lines in FIG. 8 are for illustrative purposes only and form no part of the claimed design.

1 Claim, 6 Drawing Sheets

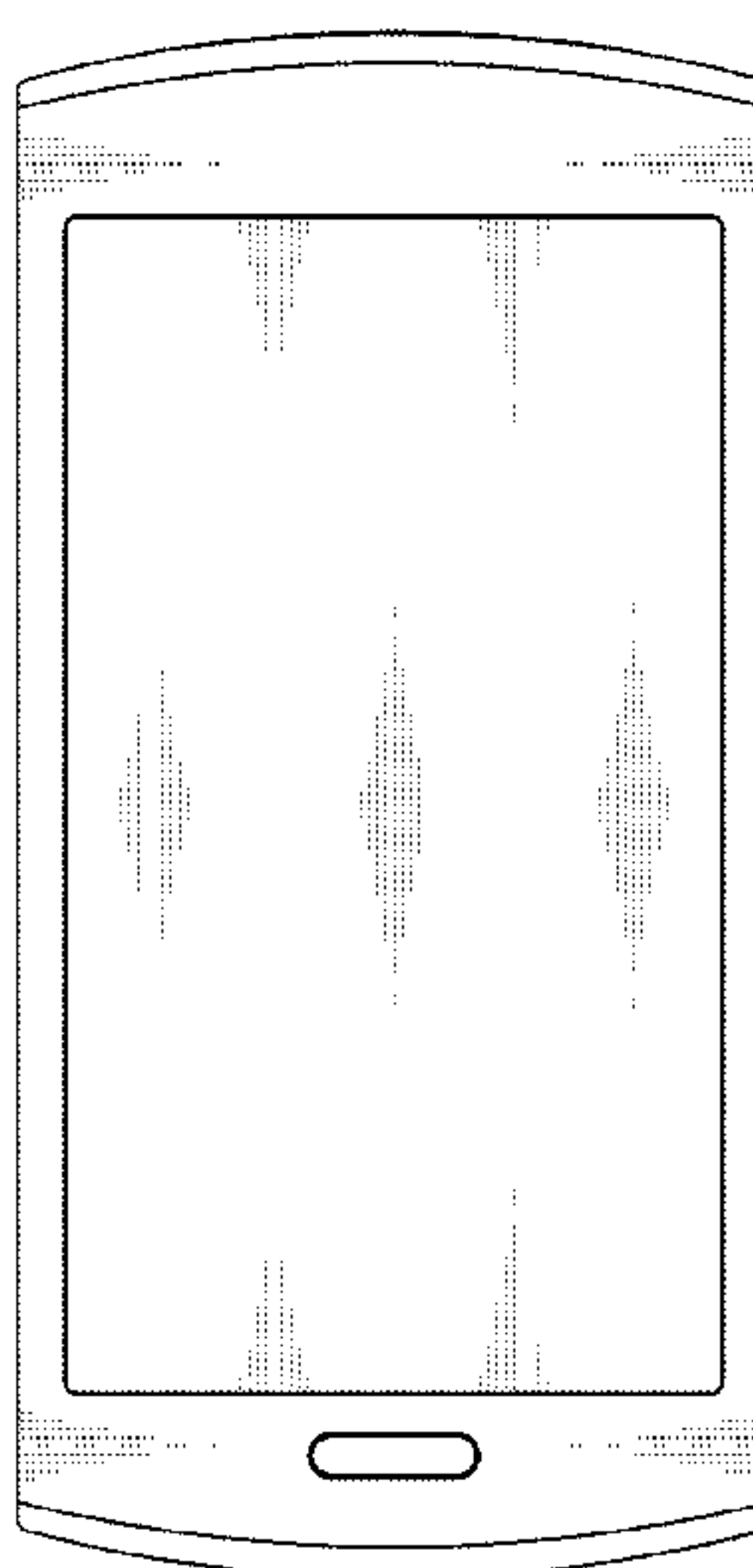
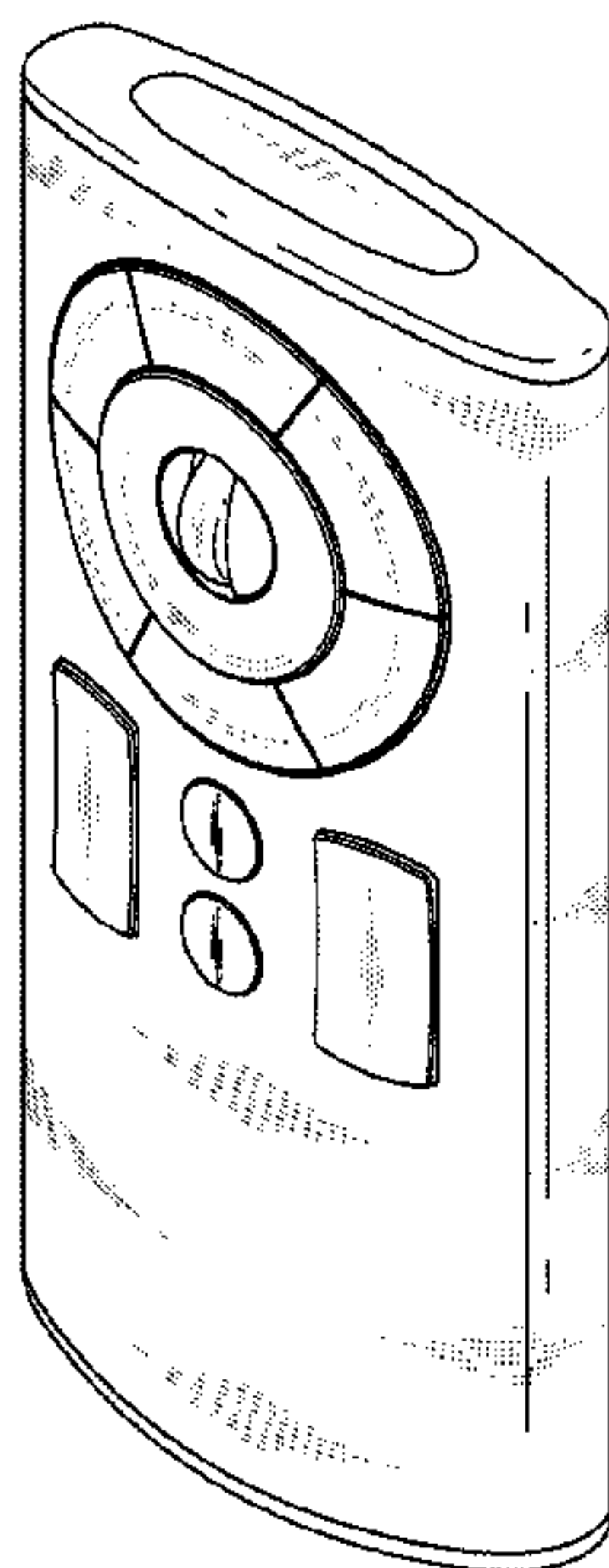


FIG. 1

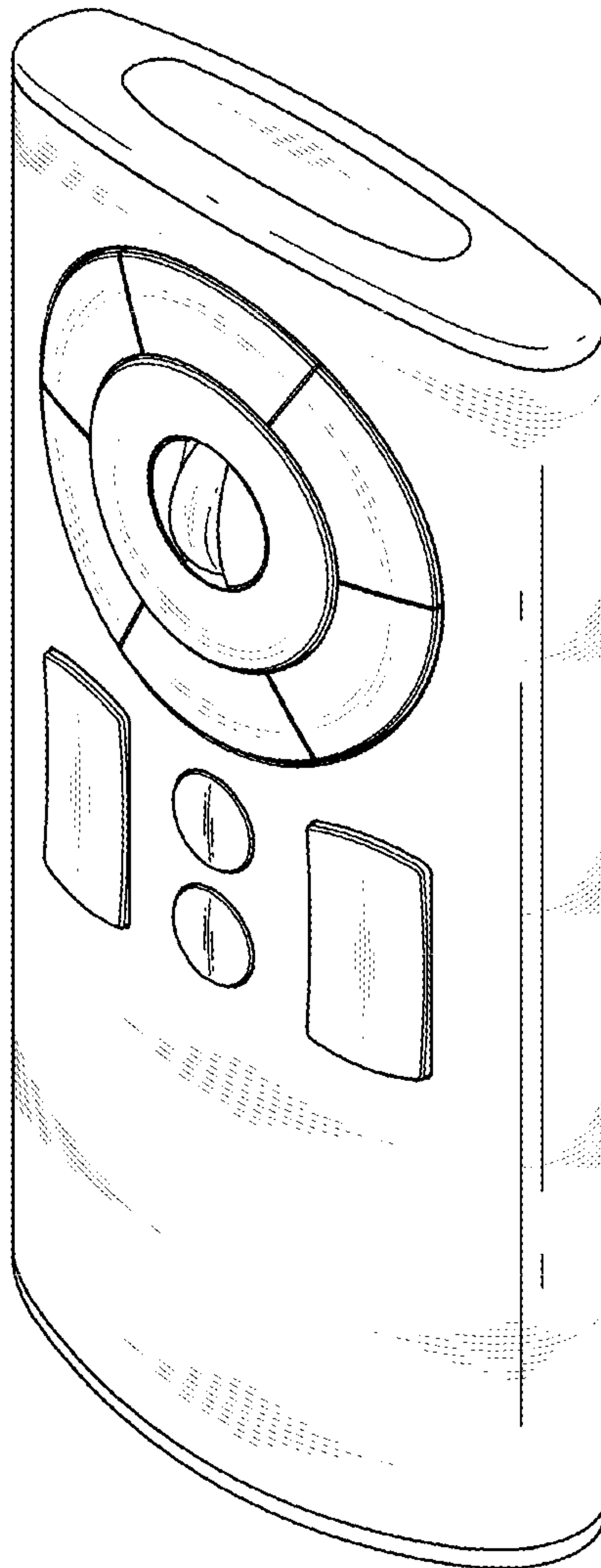


FIG. 2

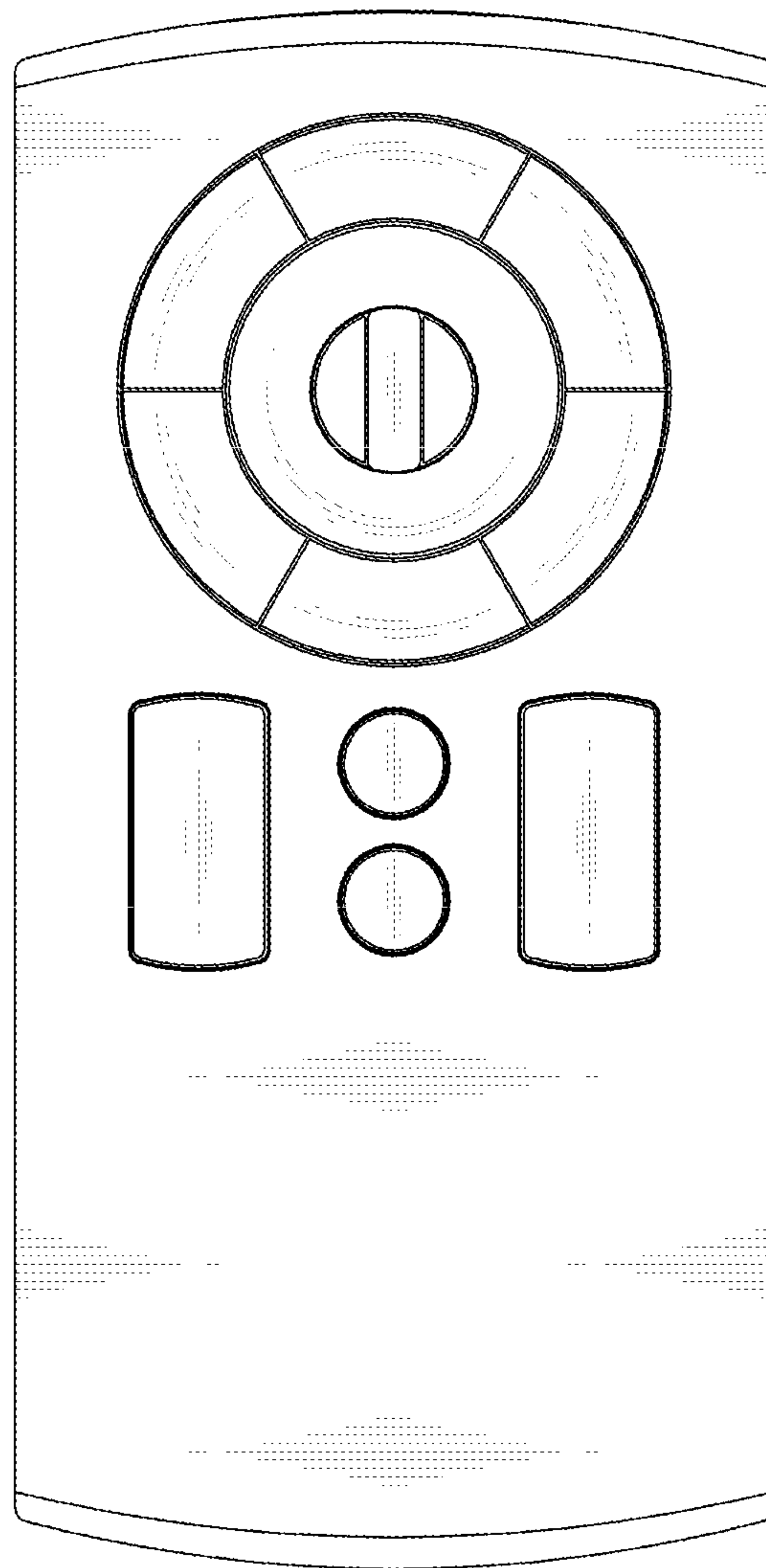


FIG. 3

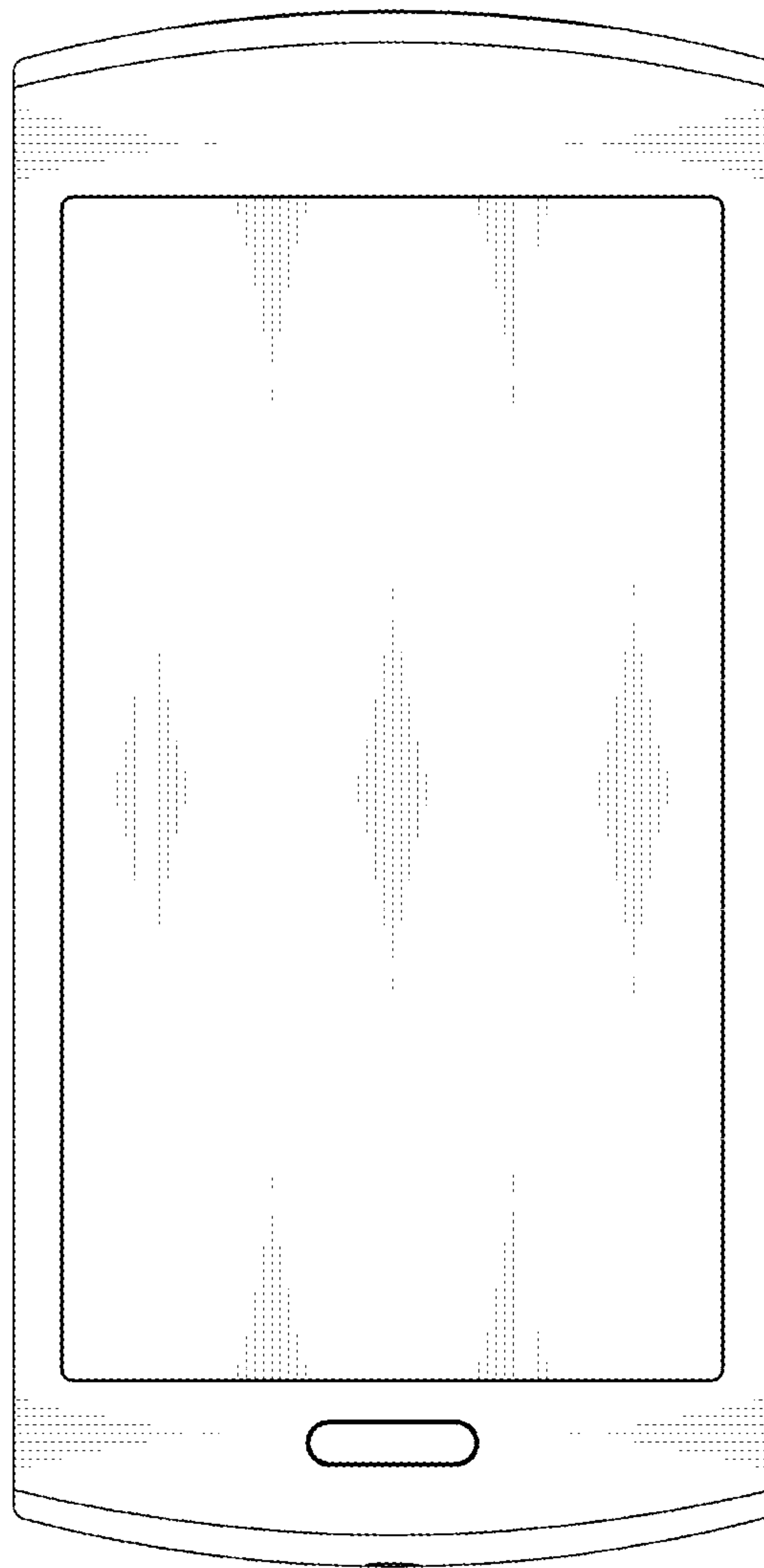


FIG. 4

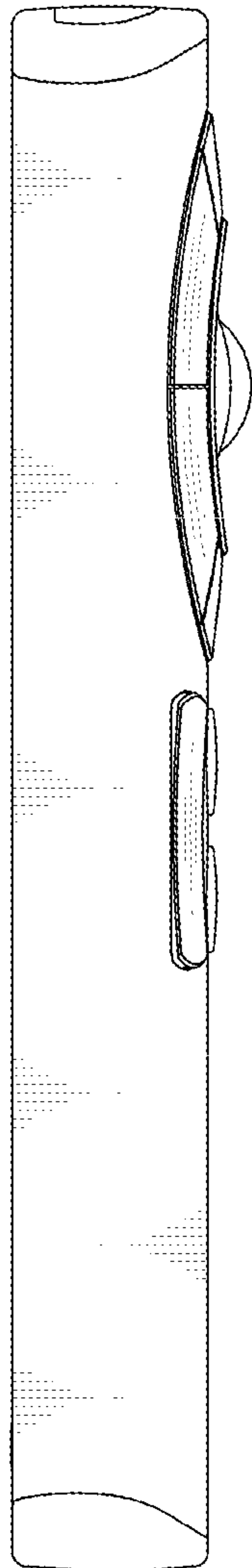


FIG. 5

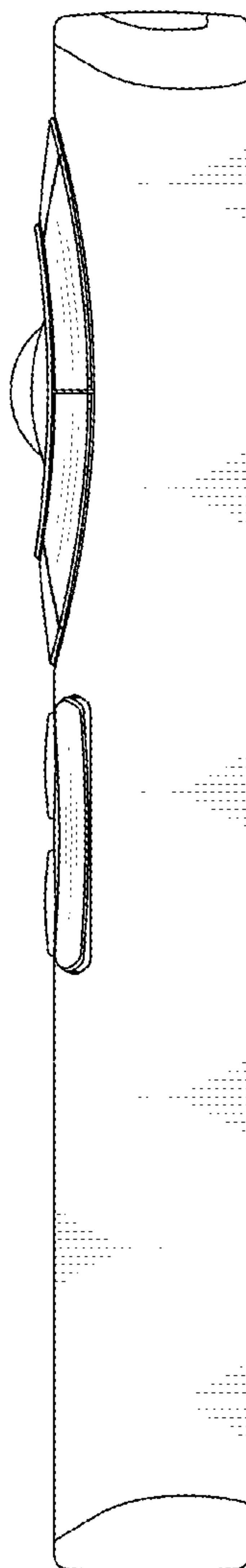


FIG. 6

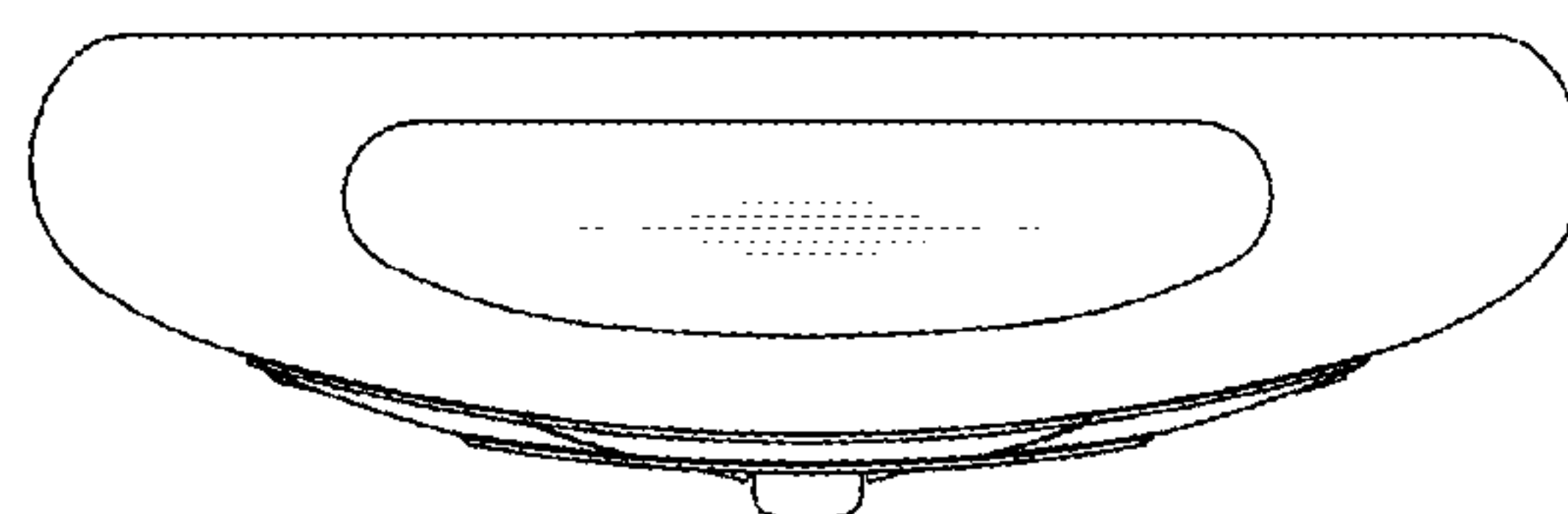


FIG. 7

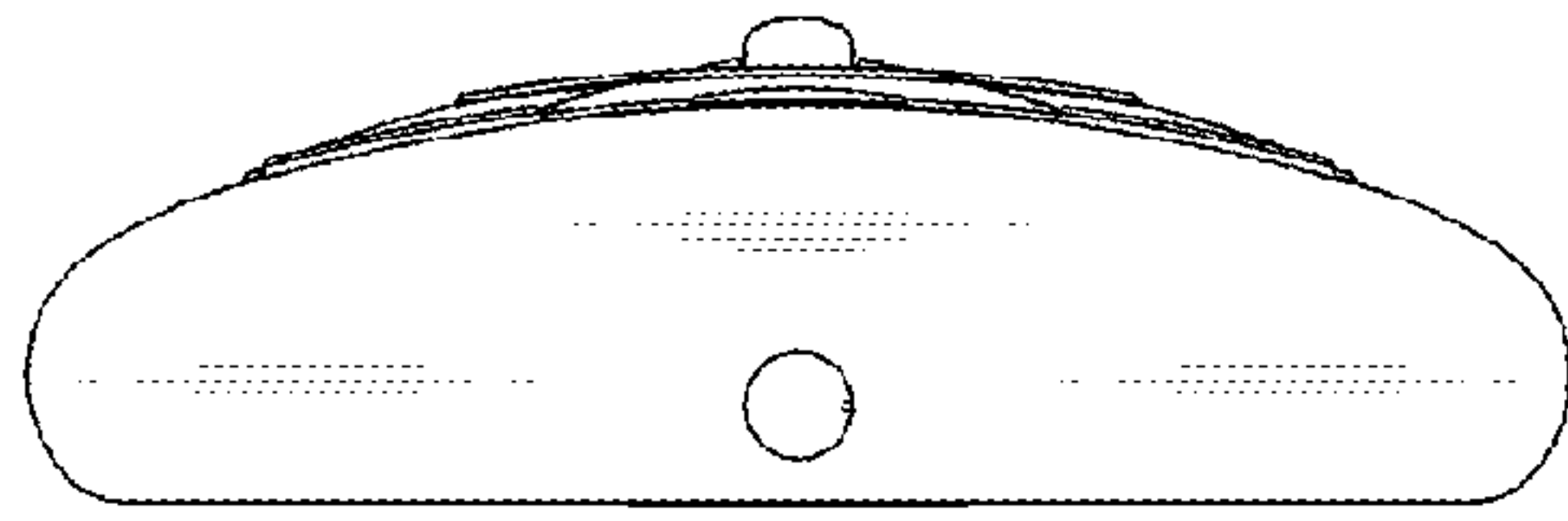


FIG. 8

