



US00D733099S

(12) **United States Design Patent**
Pupecki et al.

(10) **Patent No.:** **US D733,099 S**
(45) **Date of Patent:** **** Jun. 30, 2015**

- (54) **AUDIO SYSTEM ACCESSORY**
- (71) Applicant: **Bose Corporation**, Framingham, MA (US)
- (72) Inventors: **Jay Pupecki**, Worcester, MA (US); **Karson Isaiah Shadley**, Oakland, CA (US); **Robert Edward Mangum**, San Mateo, CA (US); **Sean Missal**, San Fernando, CA (US)
- (73) Assignee: **Bose Corporation**, Framingham, MA (US)
- (**) Term: **14 Years**
- (21) Appl. No.: **29/483,430**
- (22) Filed: **Feb. 28, 2014**
- (51) **LOC (10) Cl.** **14-01**
- (52) **U.S. Cl.**
USPC **D14/217; D14/250**
- (58) **Field of Classification Search**
USPC D14/217, 250, 496, 511, 203.4, 203.3, D14/204, 224.1; D3/218, 230; D6/407, 632; 224/240; 206/6.1, 320; 273/148 B; D10/80
CPC B65D 85/00
See application file for complete search history.

D346,494	S	*	5/1994	Graham et al.	D3/218
5,360,108	A	*	11/1994	Alagia	206/320
D355,657	S	*	2/1995	Scheid et al.	D3/218
D378,020	S	*	2/1997	Hatt	D3/218
5,887,720	A	*	3/1999	Lin	206/702
D420,218	S	*	2/2000	Chen	D3/218
6,347,796	B1	*	2/2002	Grossman et al.	273/148 B
6,352,186	B1	*	3/2002	Endo	224/254
D515,310	S	*	2/2006	Liu et al.	D3/218
D517,311	S	*	3/2006	Kim	D3/218
D518,290	S	*	4/2006	Andre et al.	D3/218
D563,093	S	*	3/2008	Nussberger	D3/201
D603,603	S	*	11/2009	Laine et al.	D3/218
D609,463	S	*	2/2010	Bullen	D3/218
D609,464	S	*	2/2010	Bullen	D3/218
D641,974	S	*	7/2011	Stampfli	D3/218
8,008,591	B2	*	8/2011	Shi et al.	200/341
D661,892	S	*	6/2012	Ramos	D3/218
D665,386	S	*	8/2012	Fathollahi	D14/250
2002/0175099	A1	*	11/2002	Wu	206/320

* cited by examiner

Primary Examiner — Paula Greene

(74) Attorney, Agent, or Firm — Bose Corporation

(57) **CLAIM**

The ornamental design for an audio system accessory, substantially as shown and described.

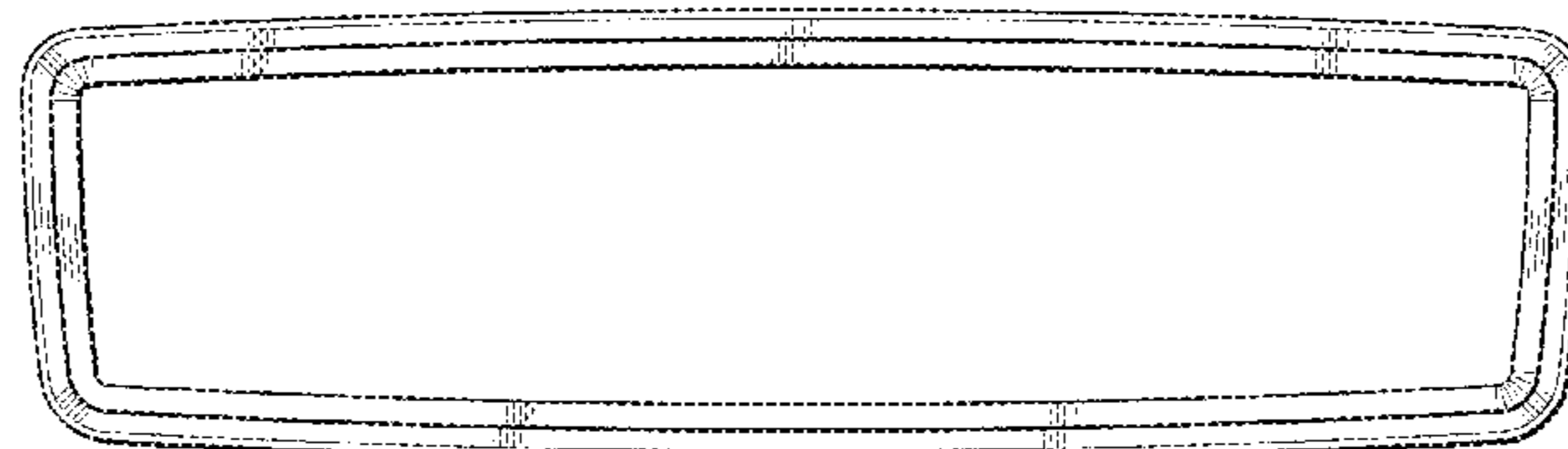
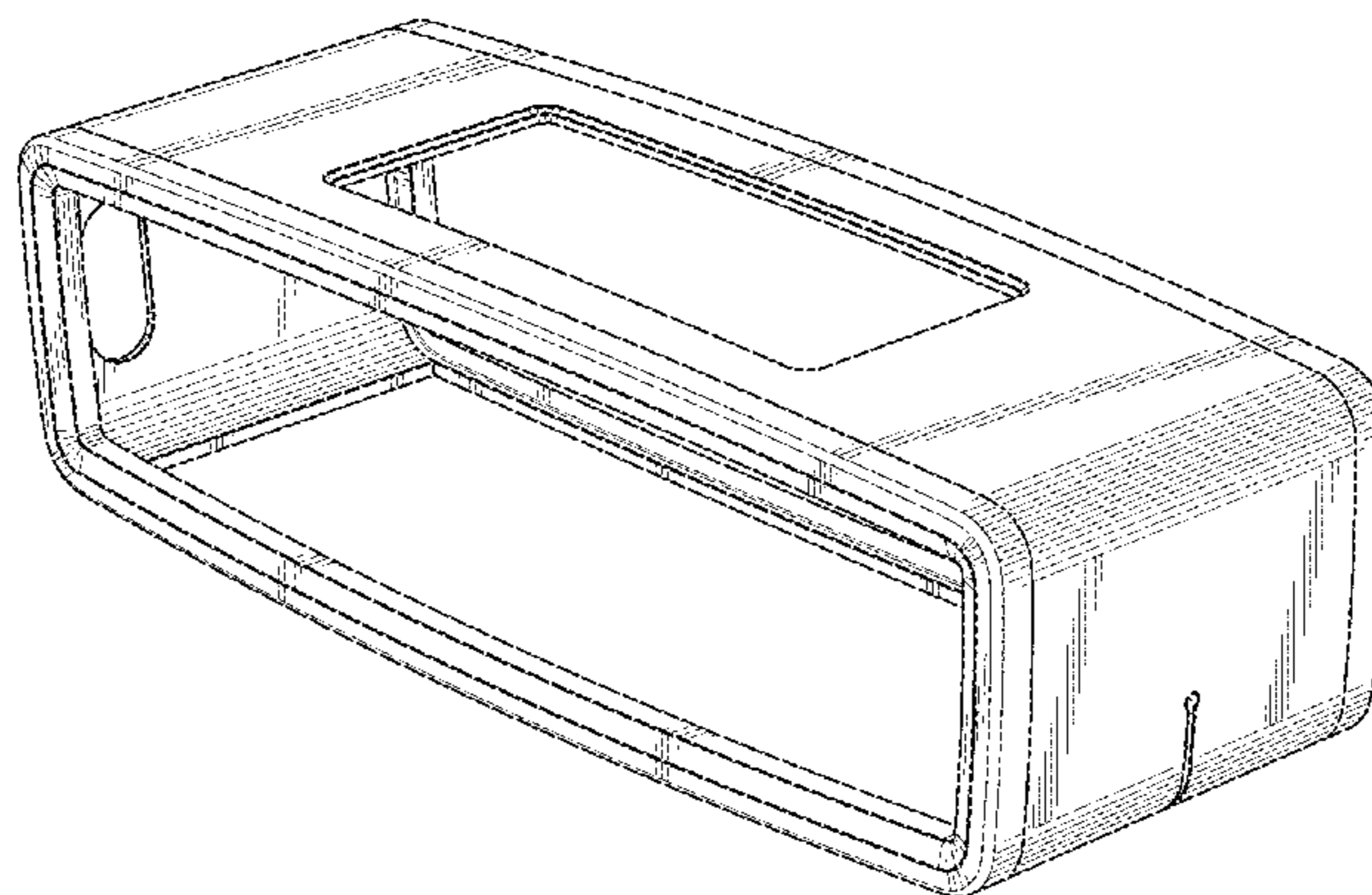
DESCRIPTION

FIG. 1 is a perspective view of an audio system accessory as seen from the front, top and side; FIG. 2 is a front view thereof; FIG. 3 is a back view thereof; FIG. 4 is a top view thereof; FIG. 5 is a bottom view thereof; FIG. 6 is a side view thereof; and, FIG. 7 is an opposite side view thereof.

1 Claim, 6 Drawing Sheets

(56) **References Cited**
U.S. PATENT DOCUMENTS

4,836,256	A	*	6/1989	Meliconi	206/523
4,896,805	A	*	1/1990	Klaczak et al.	224/236
D307,673	S	*	5/1990	Brown	D3/218
D331,839	S	*	12/1992	Patrick	D3/218
D334,467	S	*	4/1993	Hata	D6/632



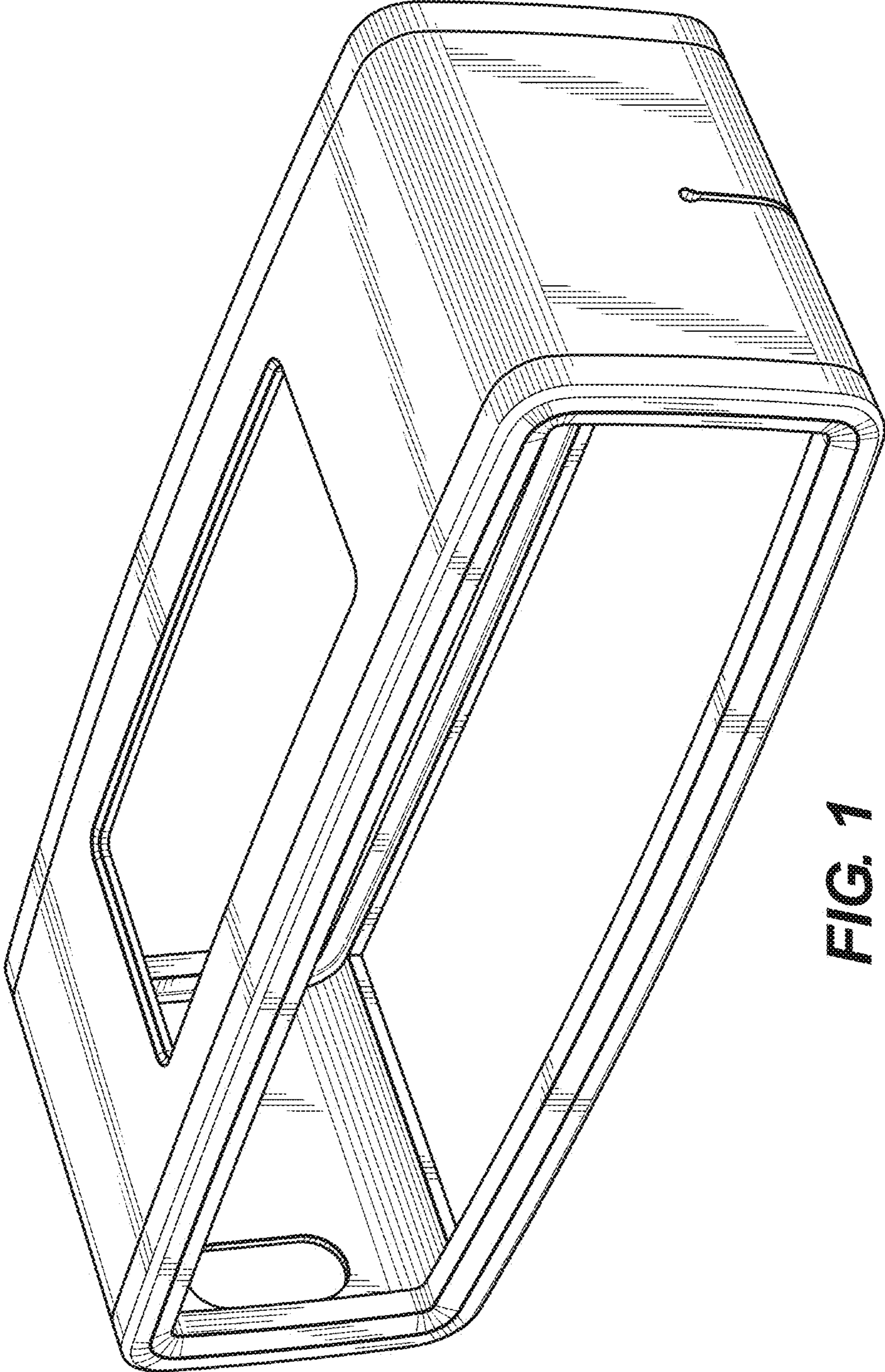


FIG. 1

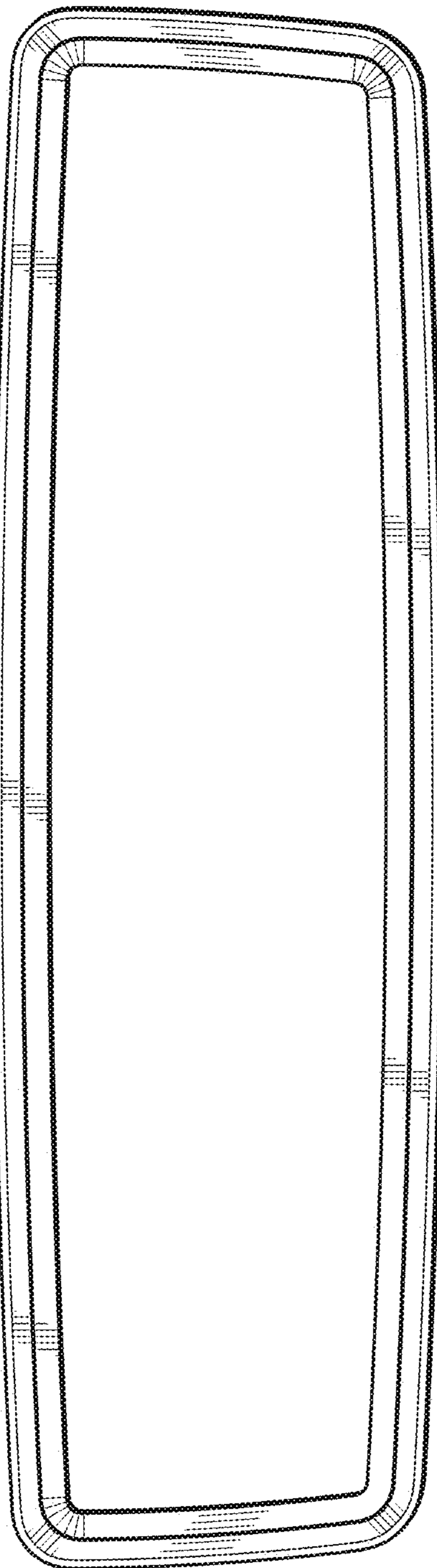


FIG. 2

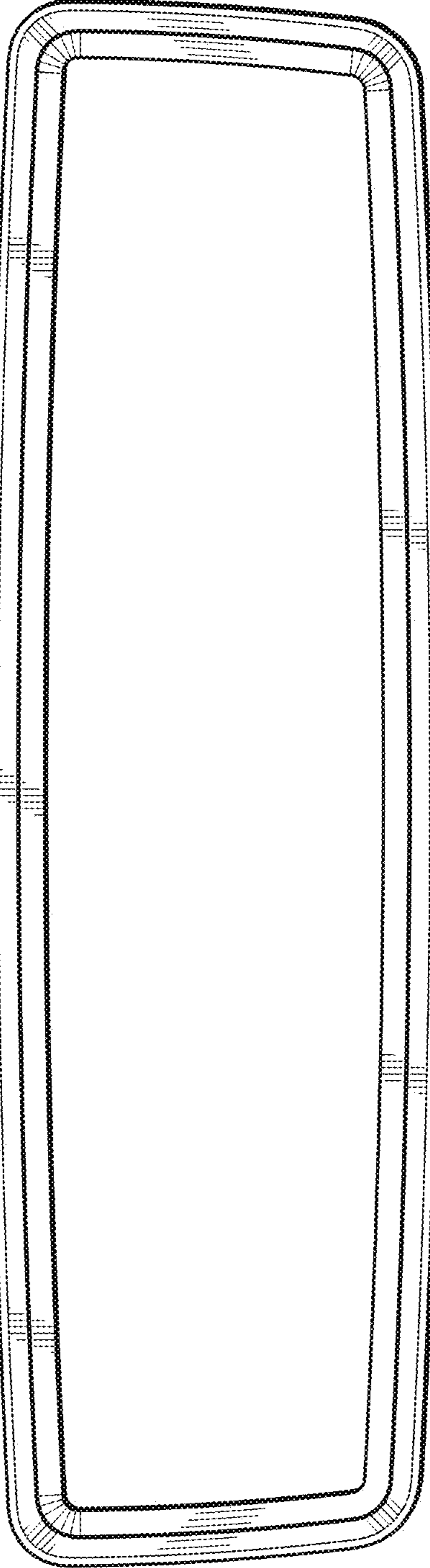


FIG. 3

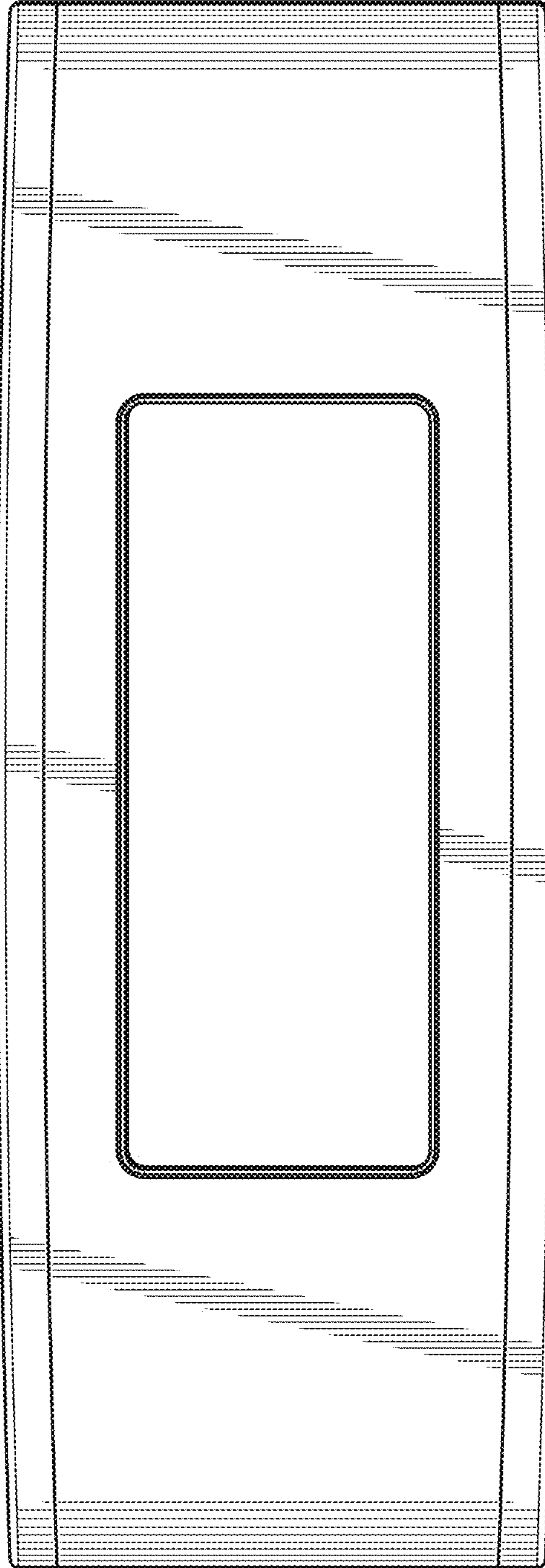


FIG. 4

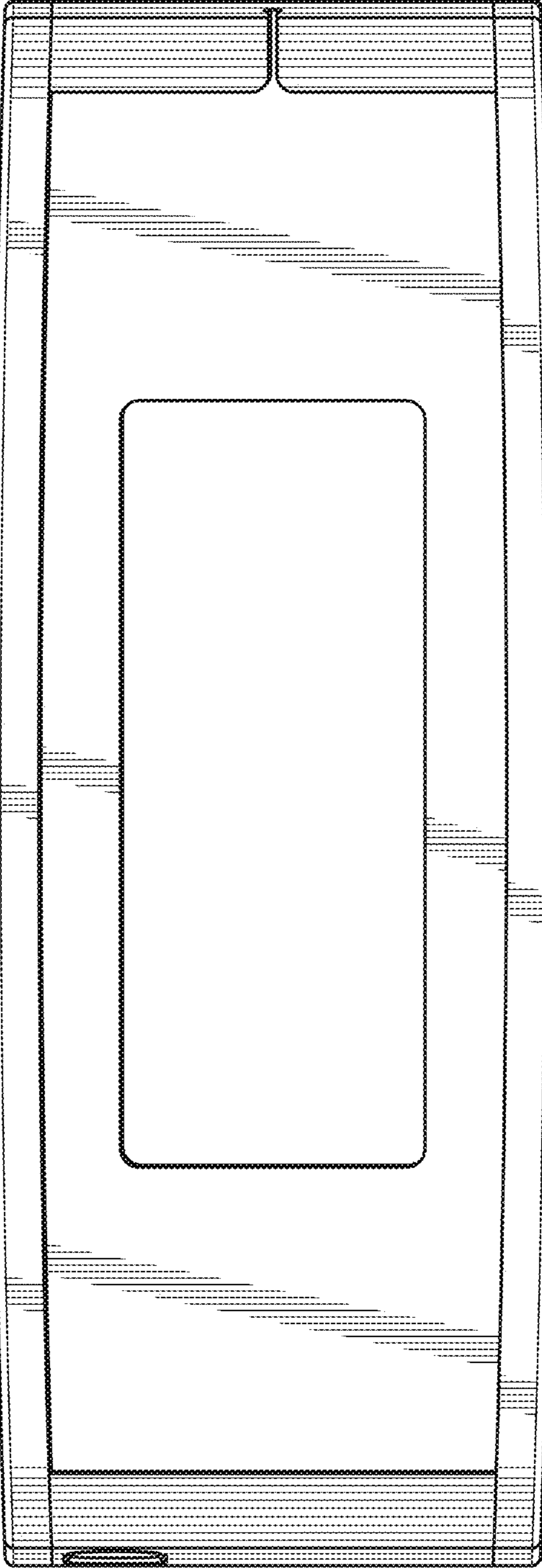


FIG. 5

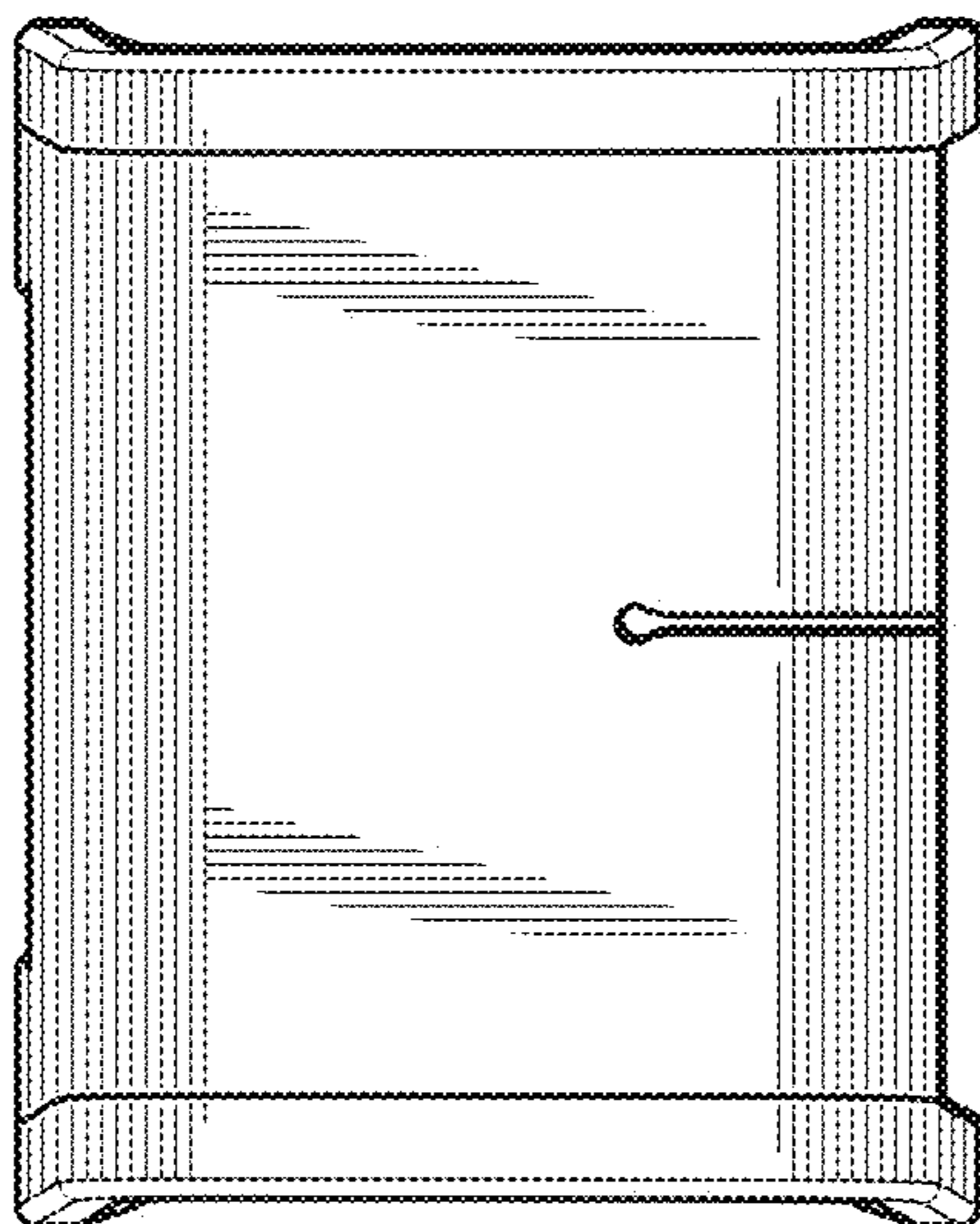


FIG. 7

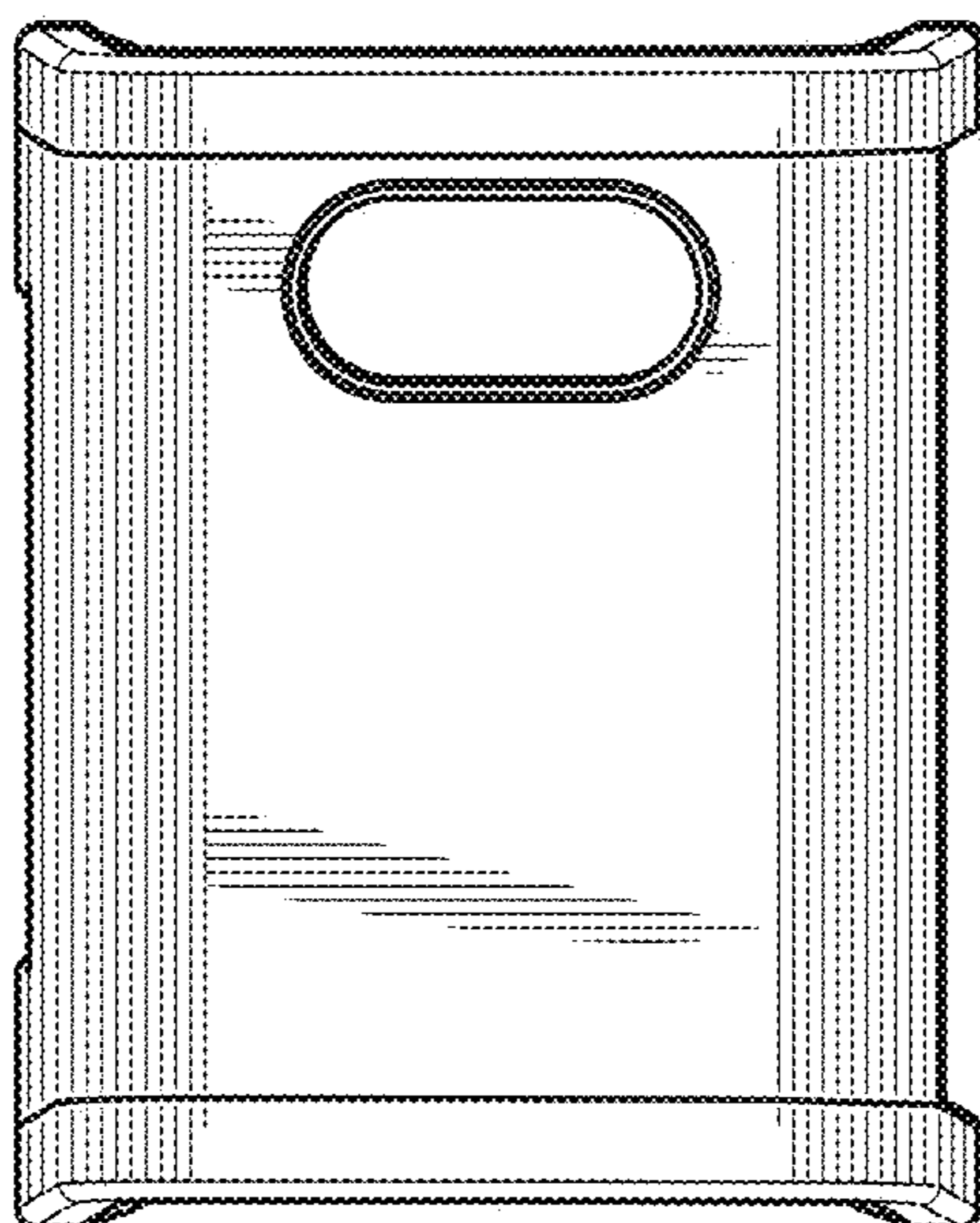


FIG. 6