



US00D733097S

(12) **United States Design Patent**
Grismer et al.

(10) **Patent No.:** **US D733,097 S**
(45) **Date of Patent:** **** Jun. 30, 2015**

(54) **SPEAKER**

(71) Applicant: **PUMA SE**, Herzogenaurach (DE)

(72) Inventors: **Kelly Grismer**, San Diego, CA (US);
Guo Feng, Shenzhen (CN); **Wang Bo**,
Shenzhen (CN); **Cao Dengfeng**,
Shenzhen (CN); **Xiao Xueping**,
Shenzhen (CN); **He Xinhua**, Shenzhen
(CN)

(73) Assignee: **PUMA SE**, Herzogenaurach (DE)

(**) Term: **14 Years**

(21) Appl. No.: **29/476,949**

(22) Filed: **Dec. 18, 2013**

(51) **LOC (10) Cl.** **14-03**

(52) **U.S. Cl.**

USPC **D14/216**

(58) **Field of Classification Search**

USPC D14/167, 168, 170–172, 188, 194–196,
D14/204, 207, 209.1, 210–216, 219, 221,
D14/222, 224, 496, 192, 205, 206, 223;
181/143, 144, 147, 148, 150, 153, 157,
181/198, 199; 381/300–303, 306, 332, 333,
381/336, 345, 361–364, 386–388;
369/6–12

CPC B60R 11/0217; G06F 1/1688; H04M 1/03;
H04M 1/035; H04R 1/02; H04R 1/06; H04R
1/021; H04R 1/025; H04R 1/026; H04R
1/028; H04R 1/105; H04R 1/323; H04R
1/403; H04R 1/2803; H04R 1/2834; H04R
5/02; H04R 7/20; H04R 9/06; H04R 9/025;
H04R 2201/021; H04R 2400/00; H04R
2400/07; H04R 2499/11; H04R 2499/13;
H04R 2499/15; H04S 3/00; H04S 7/30

See application file for complete search history.

(56) **References Cited**

U.S. PATENT DOCUMENTS

D261,511 S *	10/1981	Hass	D14/192
D316,891 S *	5/1991	Lee	D23/213
D422,051 S *	3/2000	Louis, Jr.	D23/213
D434,406 S *	11/2000	Towle	D14/192
D458,244 S *	6/2002	Masuda	D14/205
D608,347 S *	1/2010	Graber	D14/216
D687,017 S *	7/2013	Ashcraft et al.	D14/216
D697,496 S *	1/2014	Ashcraft et al.	D14/216
D709,118 S *	7/2014	Yu	D16/204
D725,076 S *	3/2015	Wong	D14/216
D725,077 S *	3/2015	Wong	D14/216

* cited by examiner

Primary Examiner — Keli L Hill

(74) *Attorney, Agent, or Firm* — Brown Rudnick LLP; Mark S. Leonardo

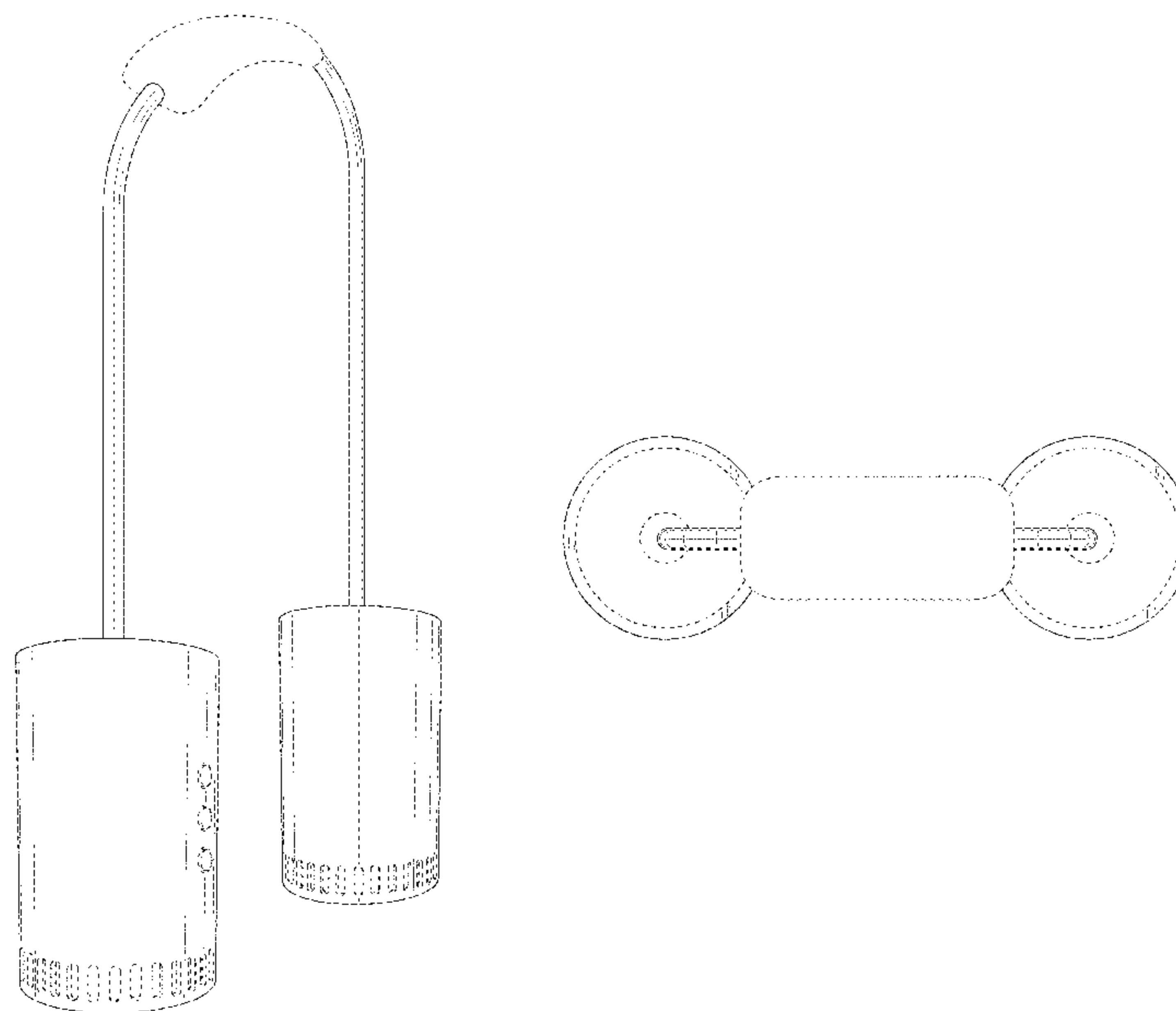
(57) **CLAIM**

The ornamental design for a speaker, as shown and described.

DESCRIPTION

FIG. 1 illustrates a front side perspective view of a speaker employing an ornamental design in accordance with the present invention; FIG. 2 illustrates a front side view of the speaker of FIG. 1; FIG. 3 illustrates a back side view of the speaker of FIG. 1; FIG. 4 illustrates a left side view of the speaker of FIG. 1; FIG. 5 illustrates a right side view of the speaker of FIG. 1; FIG. 6 illustrates a top side view of the speaker of FIG. 1; and, FIG. 7 illustrates a bottom side view of the speaker of FIG. 1. All features illustrated in phantom line are expressly disclaimed and form no part of the claimed design.

1 Claim, 6 Drawing Sheets



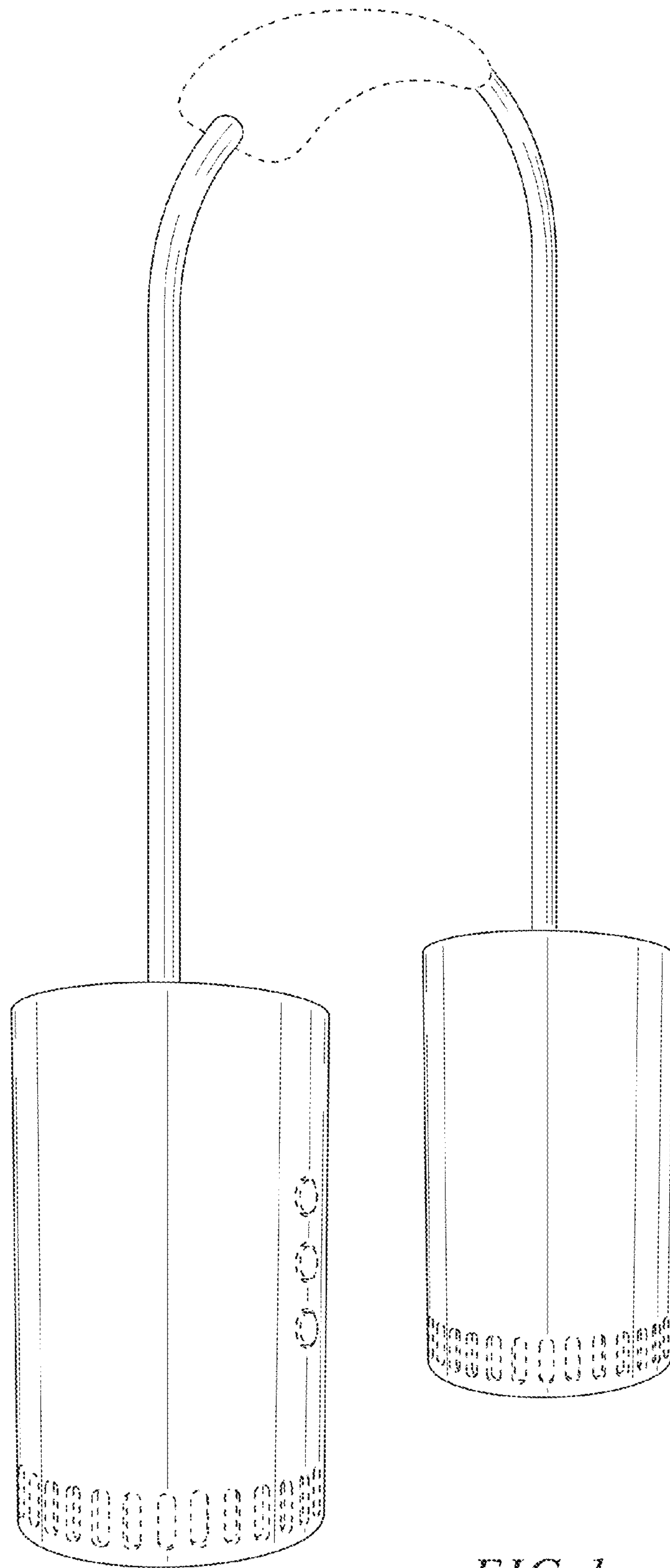


FIG. 1

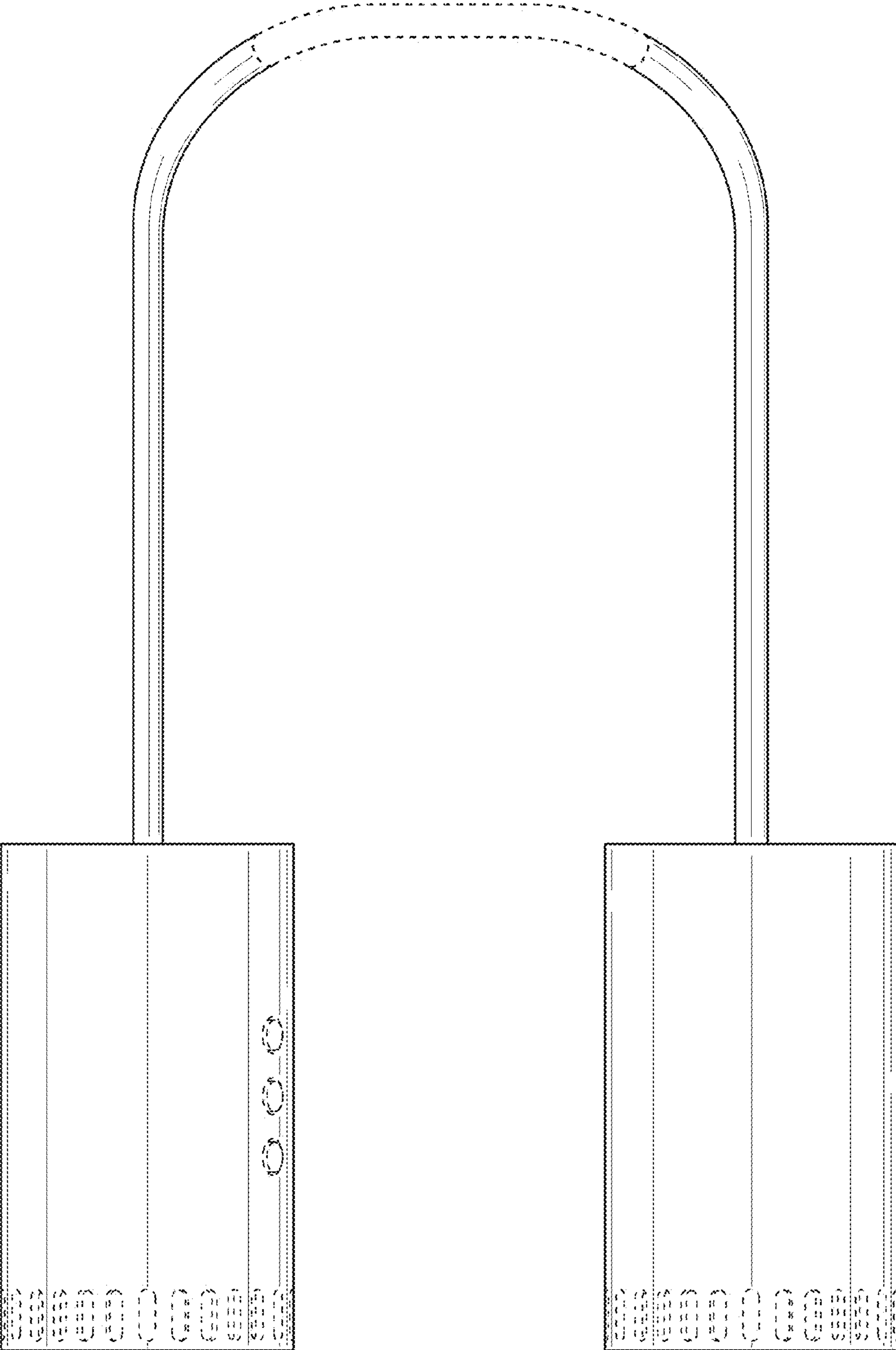


FIG. 2

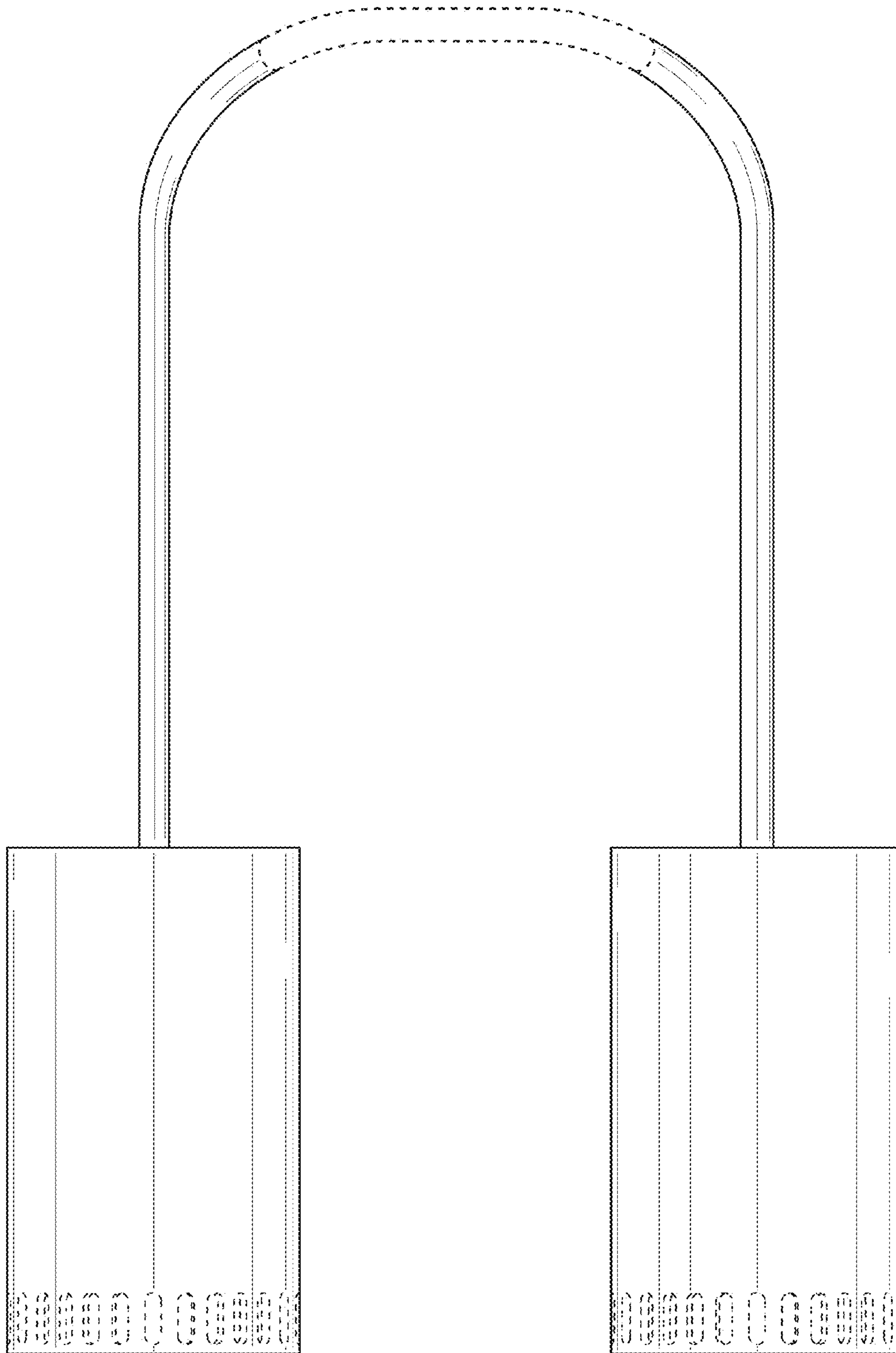


FIG. 3

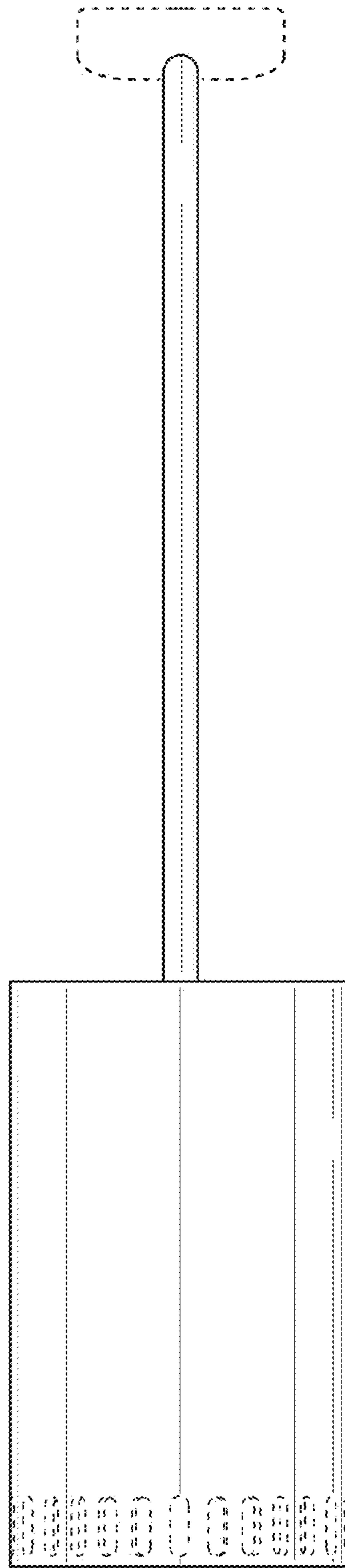


FIG. 4

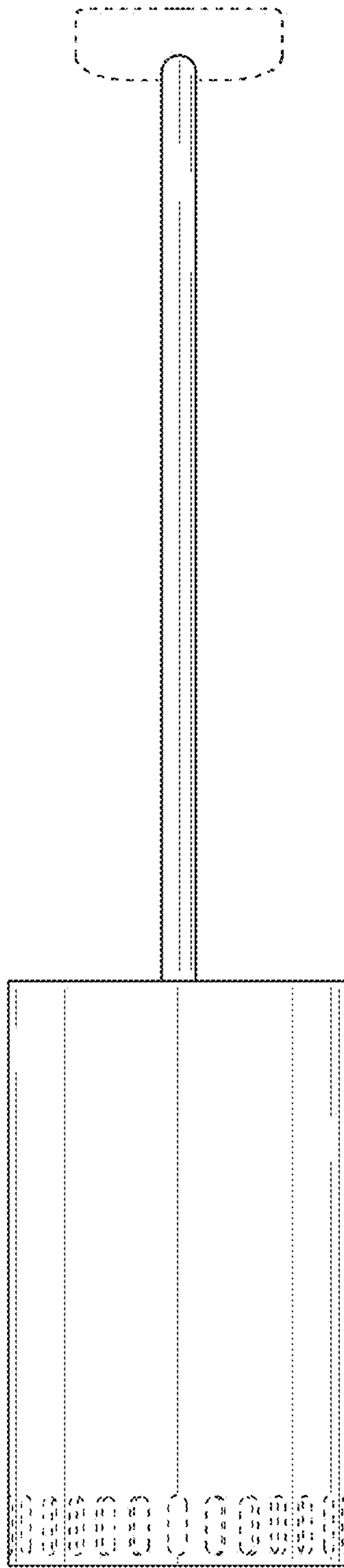


FIG. 5

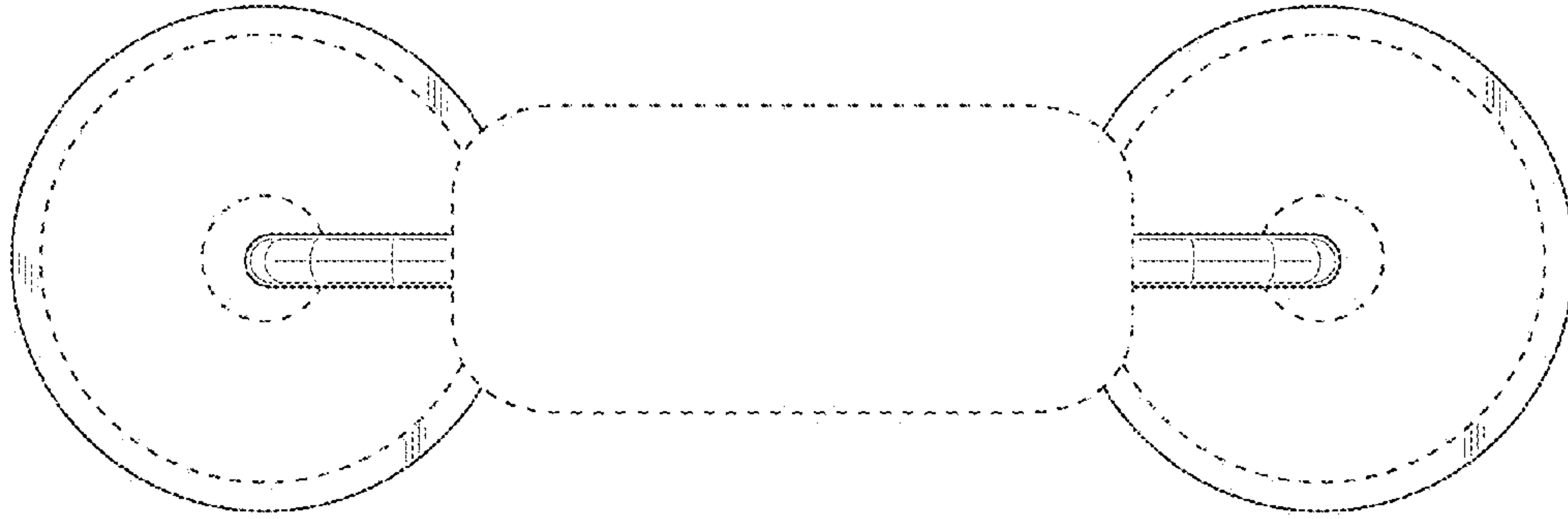


FIG. 6

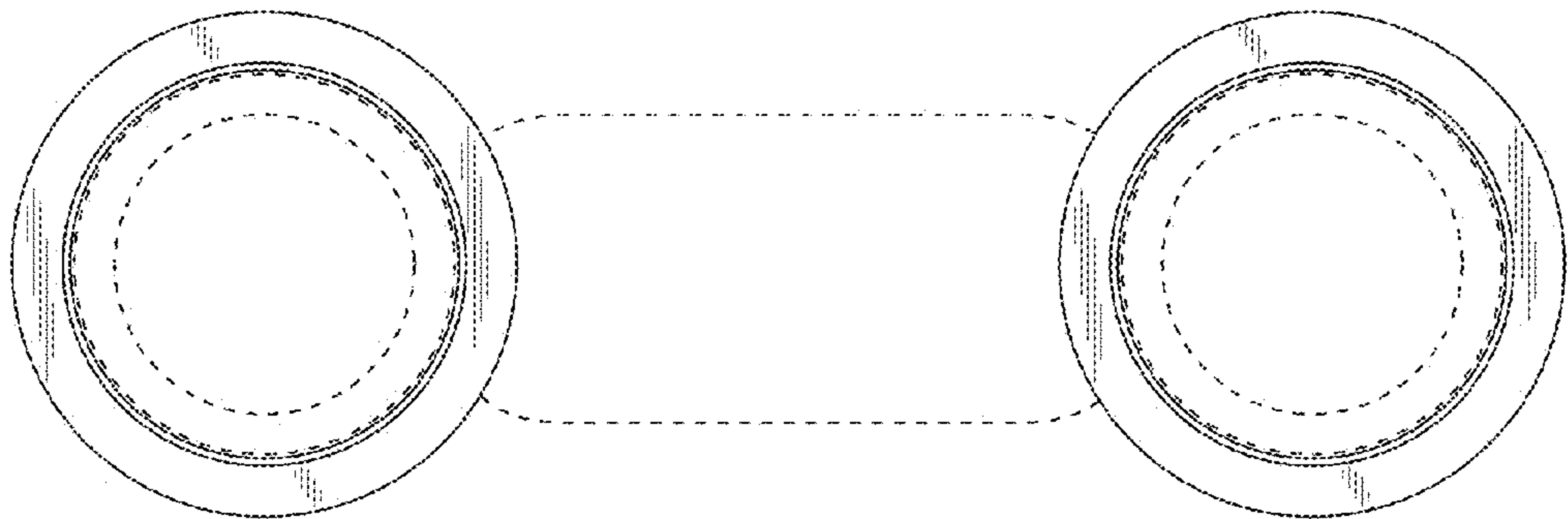


FIG. 7