



US00D733093S

(12) **United States Design Patent**
Corval

(10) **Patent No.:** **US D733,093 S**
(45) **Date of Patent:** **** Jun. 30, 2015**

(54) **SPEAKER BASE**

(71) Applicant: **Alice Zhou**, Fenghua, Zhejiang (CN)

(72) Inventor: **Alexis Corval**, Zhejiang (CN)

(73) Assignee: **Alice Zhou**, Fenghua, Zhejiang (CN)

(**) Term: **14 Years**

(21) Appl. No.: **29/453,104**

(22) Filed: **Apr. 25, 2013**

(30) **Foreign Application Priority Data**

Nov. 29, 2012 (CN) 2012 3 0587405

(51) **LOC (10) Cl.** **14-01**

(52) **U.S. Cl.**
USPC **D14/209.1**; D14/224.1

(58) **Field of Classification Search**
USPC D14/224.1, 221, 215, 209.1, 434, 435,
D14/253, 251; D24/173, 174; D17/24, 11;
D13/107, 108; 381/334, 340; 320/113,
320/114; 181/129
CPC H04R 1/02
See application file for complete search history.

(56) **References Cited**

U.S. PATENT DOCUMENTS

D68,985	S	*	12/1925	Polydoroff	D14/208
D71,069	S	*	9/1926	Lehman	D14/208
1,855,836	A	*	4/1932	King	181/188
4,984,278	A	*	1/1991	Frye et al.	381/387
5,103,482	A	*	4/1992	Fabri-Conti	381/340
D338,467	S	*	8/1993	Jung	D14/208
6,116,373	A	*	9/2000	Dodd	181/152
D495,336	S	*	8/2004	Andre et al.	D14/434
D500,022	S	*	12/2004	Rath et al.	D14/206
D523,847	S	*	6/2006	Naruki	D14/224.1

D525,616	S	*	7/2006	Andre et al.	D14/224.1
D553,123	S	*	10/2007	Solland	D14/217
D554,108	S	*	10/2007	Solland	D14/217
D602,008	S	*	10/2009	Bentley et al.	D14/224
D610,127	S	*	2/2010	Daniele	D14/209.1
D625,289	S	*	10/2010	Hao et al.	D14/209.1
D641,004	S	*	7/2011	Poandl	D14/209.1
D643,398	S	*	8/2011	Zakarias et al.	D14/148
D645,842	S	*	9/2011	Bolton	D14/209.1
D656,479	S	*	3/2012	Lin	D14/188
D677,650	S	*	3/2013	Bosa	D14/208
D684,142	S	*	6/2013	Sun et al.	D14/215
D684,145	S	*	6/2013	Rath	D14/224
D691,125	S	*	10/2013	Cheon et al.	D14/253
D711,364	S	*	8/2014	Barker	D14/252
2009/0087008	A1	*	4/2009	Danley	381/341
2010/0119096	A1	*	5/2010	Suzuki	381/340
2012/0027237	A1	*	2/2012	Lin	381/340
2013/0279731	A1	*	10/2013	Kim et al.	381/340

* cited by examiner

Primary Examiner — Paula Greene

(74) *Attorney, Agent, or Firm* — Jackson IPG PLLC;
Demian K. Jackson

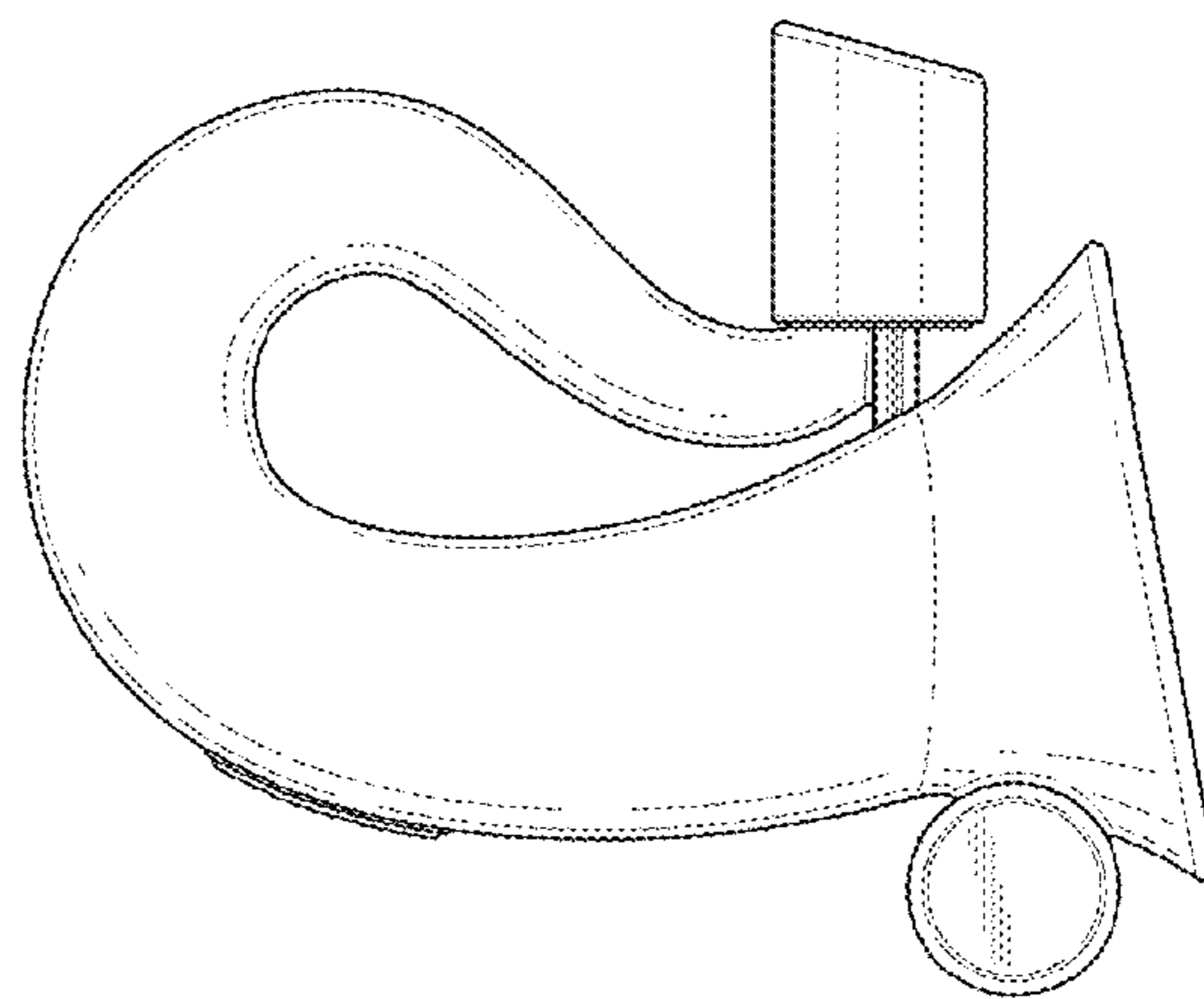
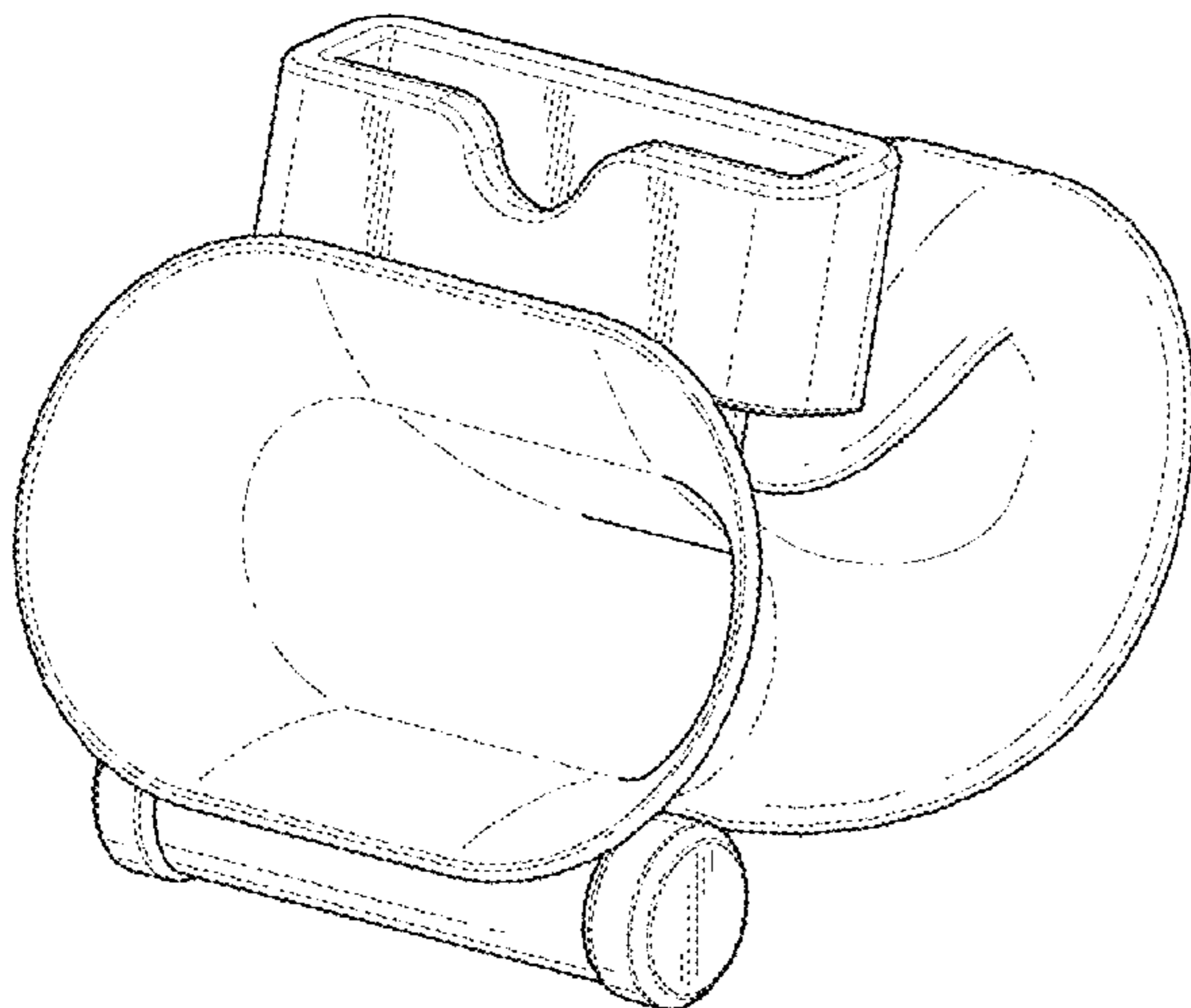
(57) **CLAIM**

The ornamental design for a speaker base, as shown and described.

DESCRIPTION

FIG. 1 is a front side perspective view of a speaker base showing my new design;
FIG. 2 is a front elevational view thereof;
FIG. 3 is a rear elevational view thereof;
FIG. 4 is a left side elevational view thereof;
FIG. 5 is a right side elevational view thereof;
FIG. 6 is a top plan view thereof; and,
FIG. 7 is a bottom plan view thereof.
Those portions of the illustrated design indicated by broken lines form no part of the claimed design.

1 Claim, 7 Drawing Sheets



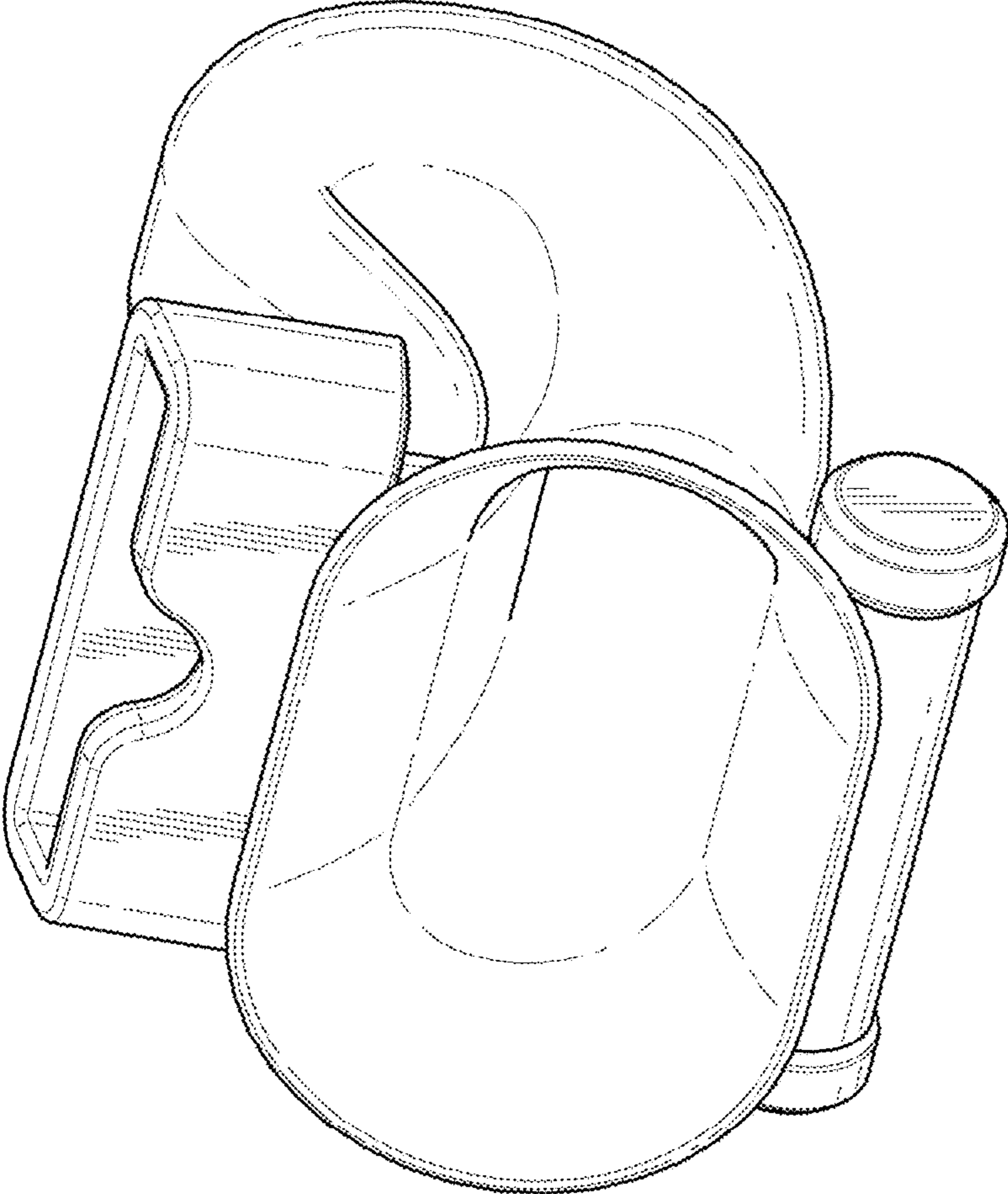


FIG. 1

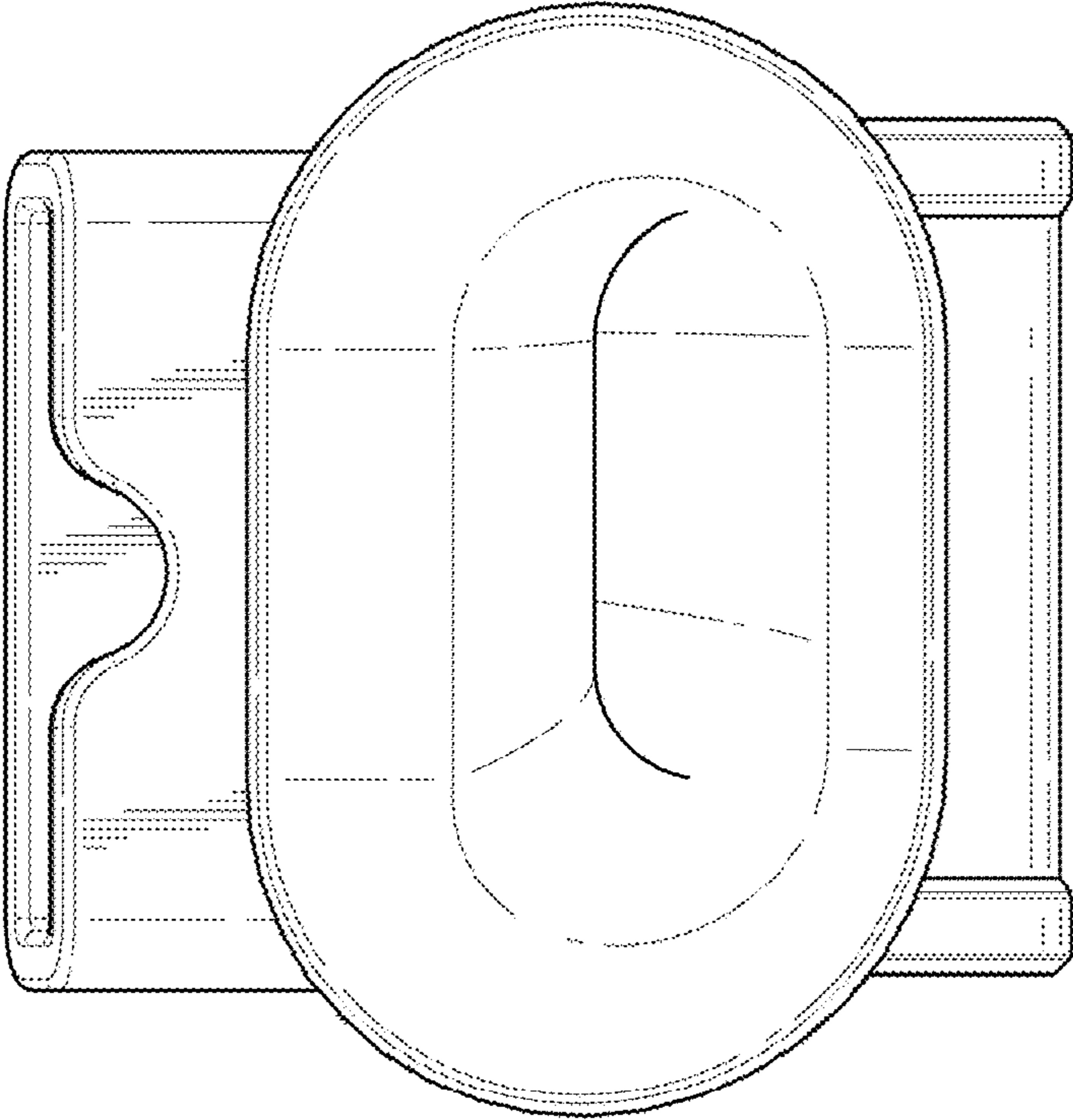


FIG. 2

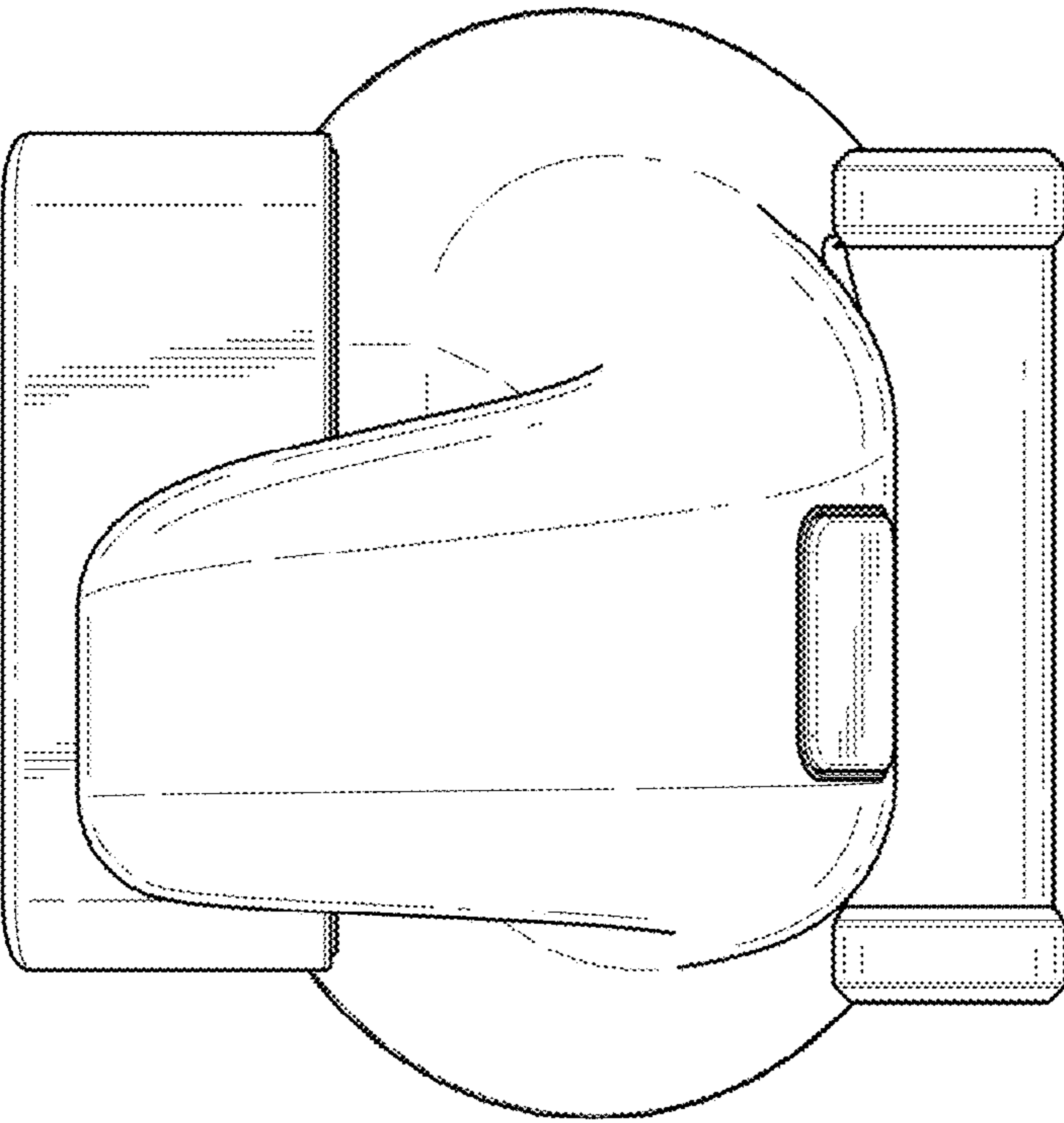


FIG. 3

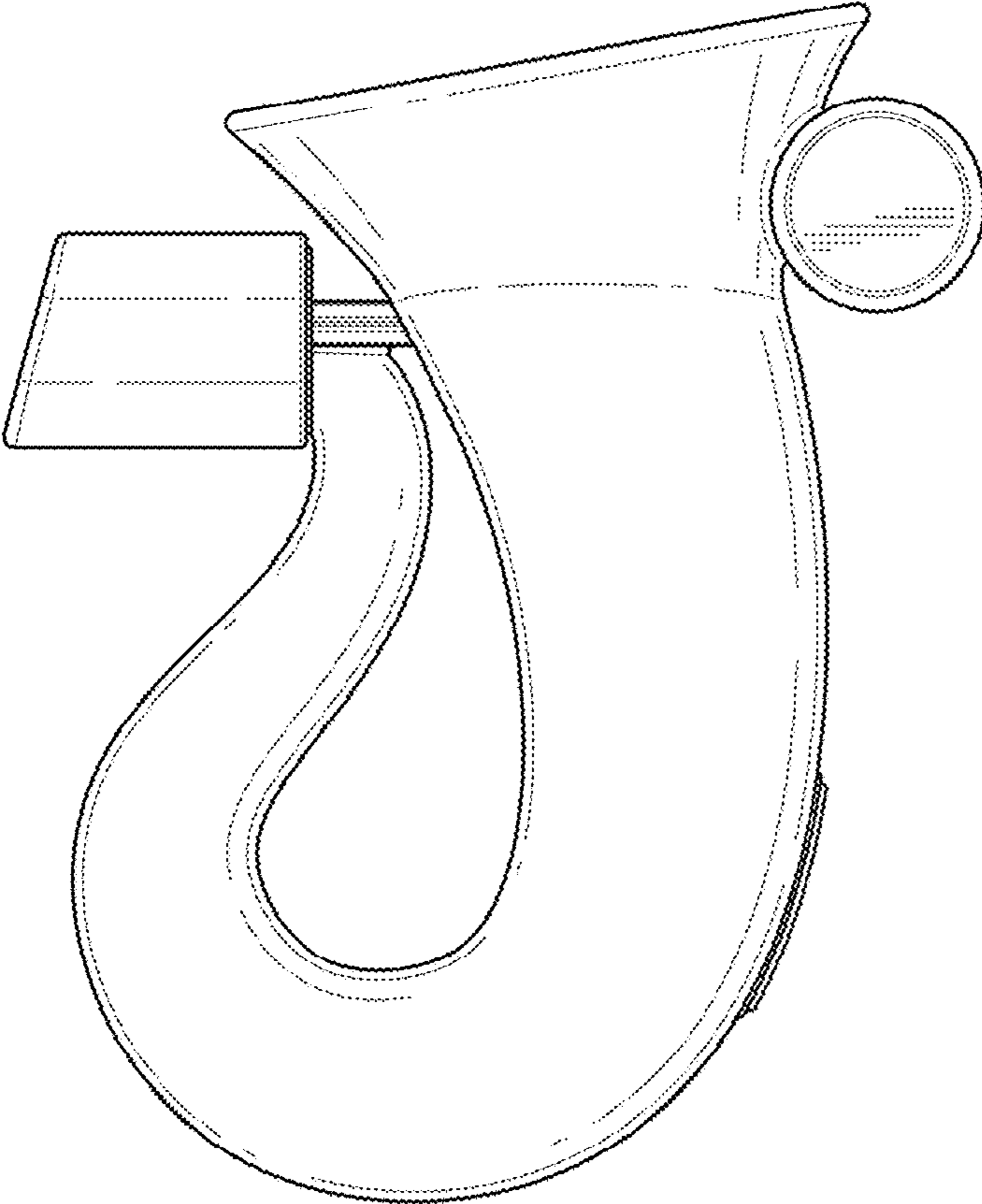


FIG. 4

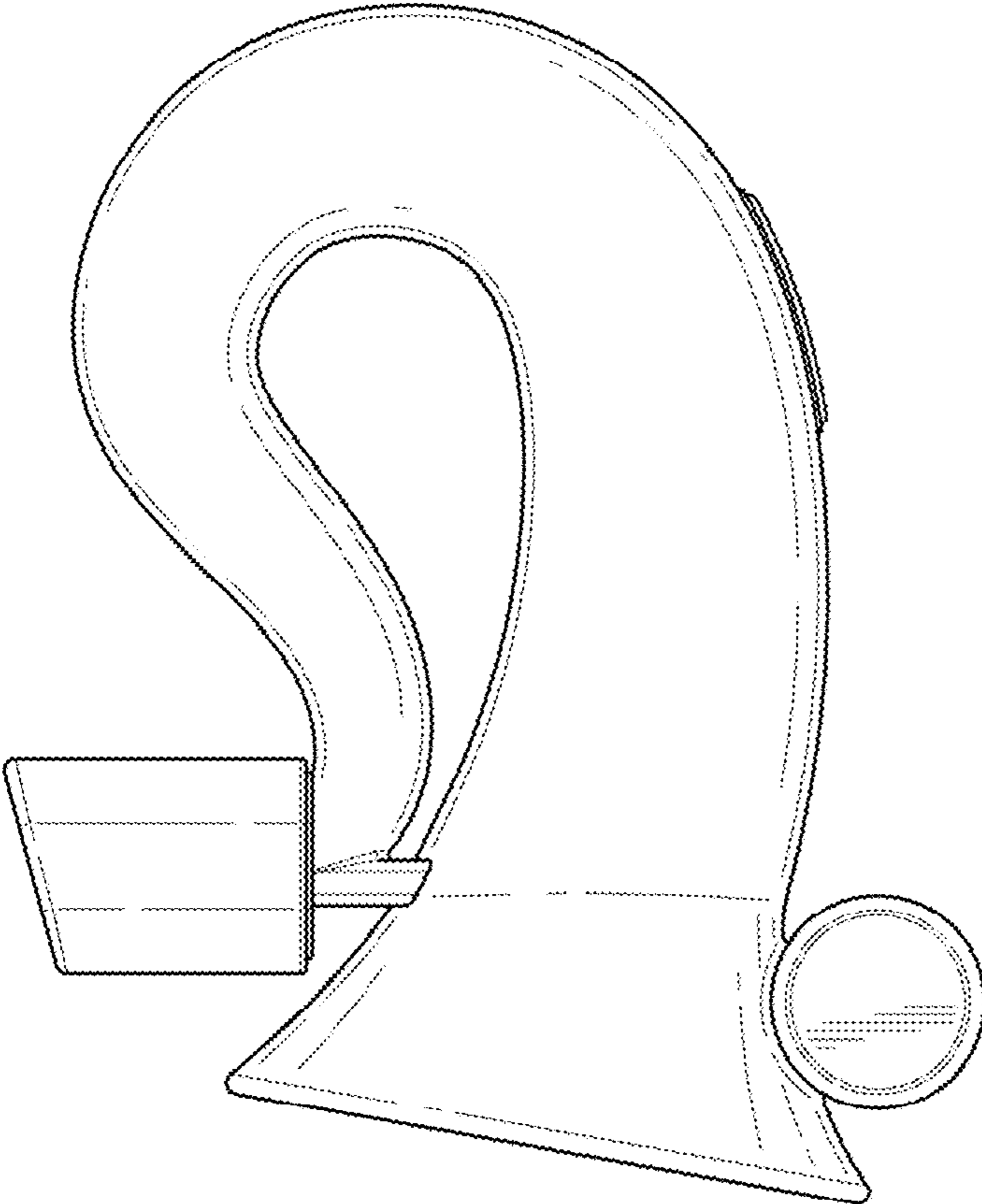


FIG. 5

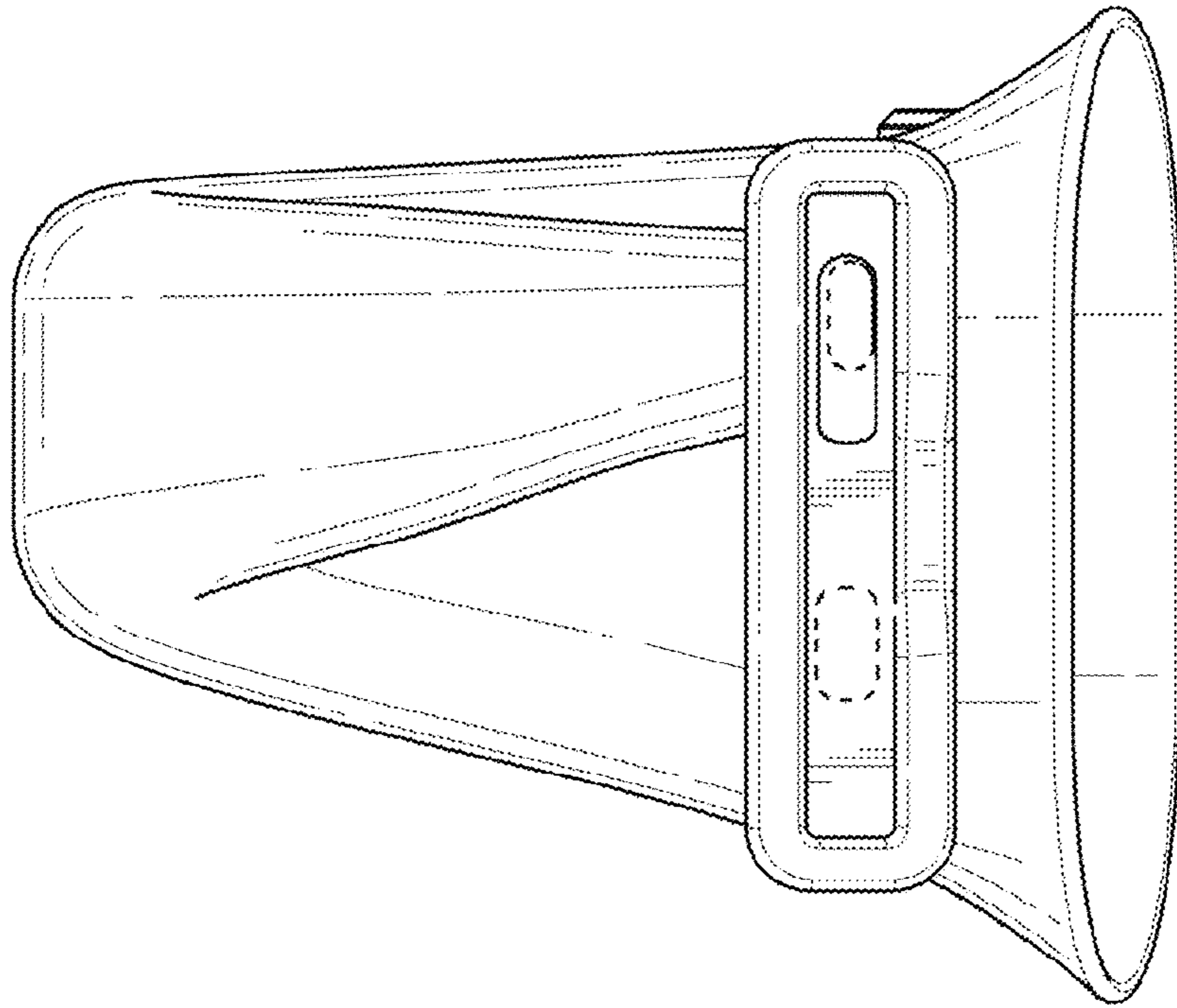


FIG. 6

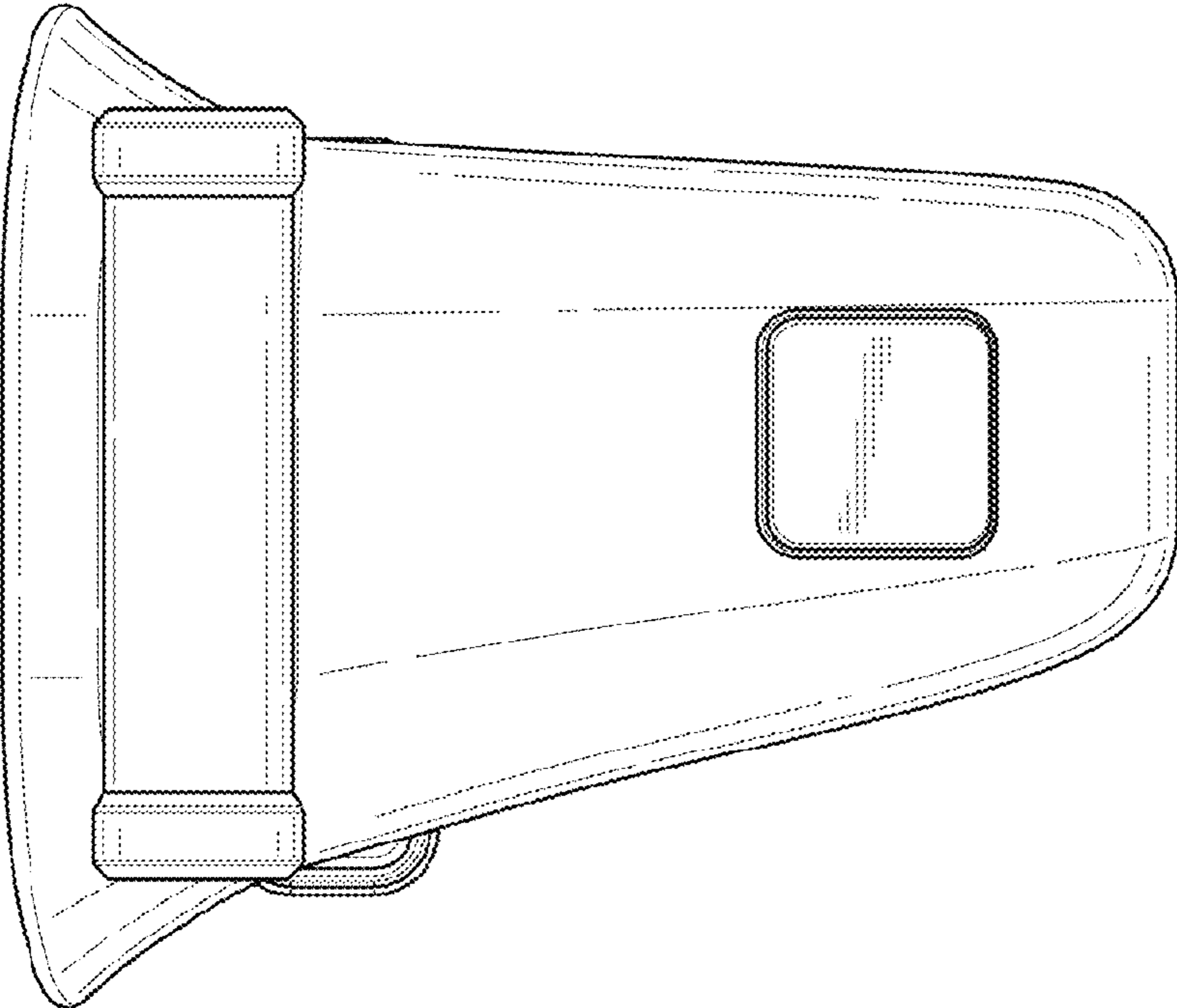


FIG. 7