



US00D733090S

(12) **United States Design Patent**
Petersen

(10) **Patent No.:** **US D733,090 S**
(45) **Date of Patent:** **** Jun. 30, 2015**

(54) **HEADPHONE**

(71) Applicant: **Zound Industries International AB,**
Stockholm (SE)

(72) Inventor: **Erik Petersen, Johanneshov (SE)**

(73) Assignee: **Zound Industries International AB,**
Stockholm (SE)

(**) Term: **14 Years**

(21) Appl. No.: **29/483,772**

(22) Filed: **Mar. 3, 2014**

(30) **Foreign Application Priority Data**

Sep. 4, 2013 (EM) 002302638-0001
Sep. 4, 2013 (EM) 002302638-0002

(51) **LOC (10) Cl.** **14-01**

(52) **U.S. Cl.**
USPC **D14/205**

(58) **Field of Classification Search**
USPC D14/205; D29/112; 181/129, 130, 135;
379/430, 431; 381/380, 381; 455/90.3,
455/575.1; 2/209
CPC H04R 1/1066
See application file for complete search history.

(56) **References Cited**

U.S. PATENT DOCUMENTS

3,119,119 A * 1/1964 Millinger et al. 2/209
D246,259 S * 11/1977 Nishimura et al. D14/205
D534,155 S * 12/2006 Obata D14/205

D563,382 S * 3/2008 Wikel D14/205
D582,890 S * 12/2008 Koza et al. D14/205
D592,640 S * 5/2009 Tkachuk D14/205
D625,705 S * 10/2010 Oho et al. D14/205
D657,345 S * 4/2012 Brunner et al. D14/205
D658,158 S * 4/2012 Suzuki D14/205
8,295,529 B2 * 10/2012 Petersen et al. 381/374
D683,329 S * 5/2013 Hagelin D14/205
D696,226 S * 12/2013 Brunner et al. D14/205
D704,163 S * 5/2014 Brunner et al. D14/205
D707,200 S * 6/2014 Yang D14/205
8,755,555 B2 * 6/2014 Dougherty et al. 381/378
D713,374 S * 9/2014 Farrage D14/205
D722,998 S * 2/2015 Sancho et al. D14/205

* cited by examiner

Primary Examiner — Paula Greene

(74) *Attorney, Agent, or Firm* — Capitol City TechLaw

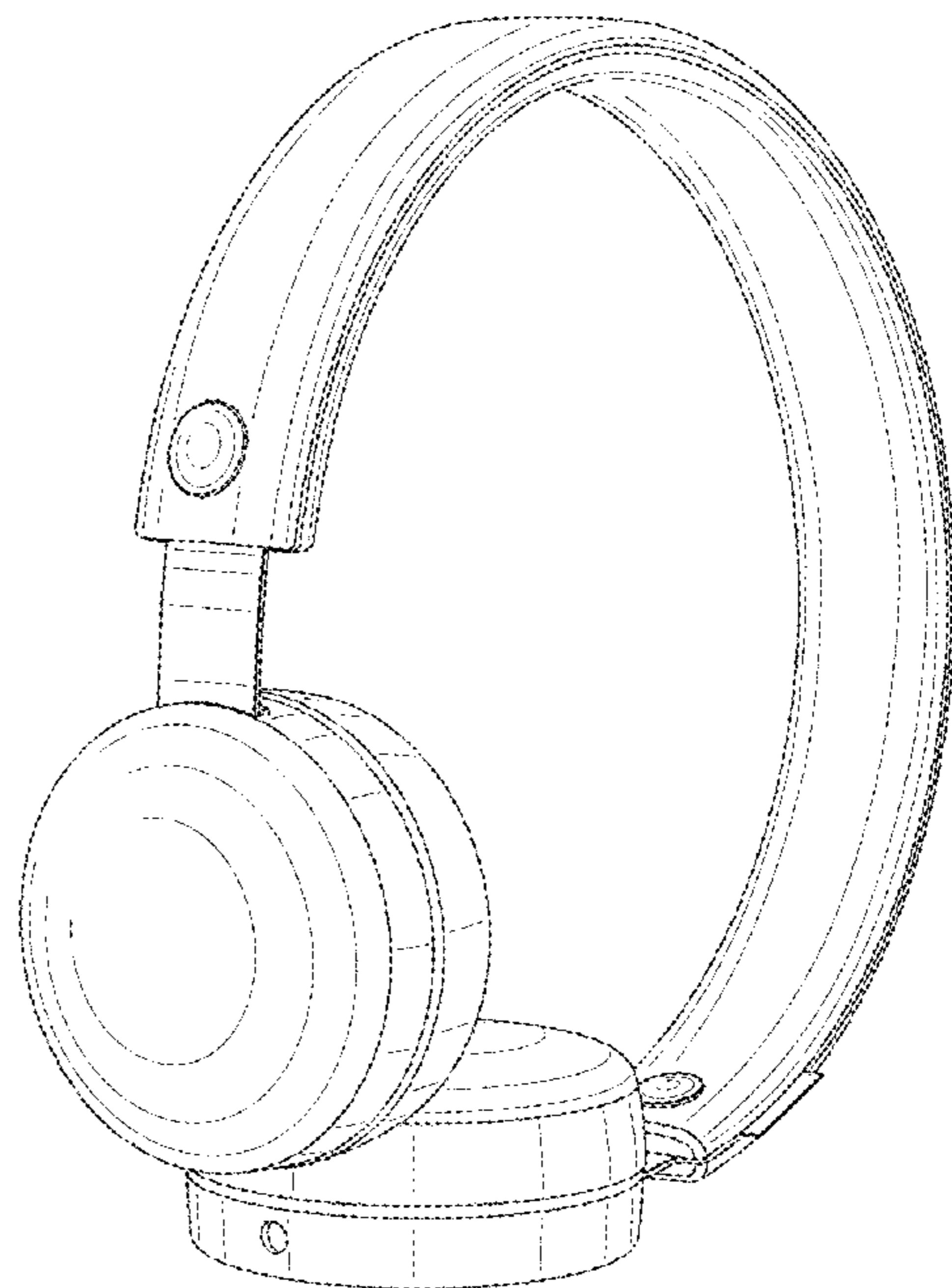
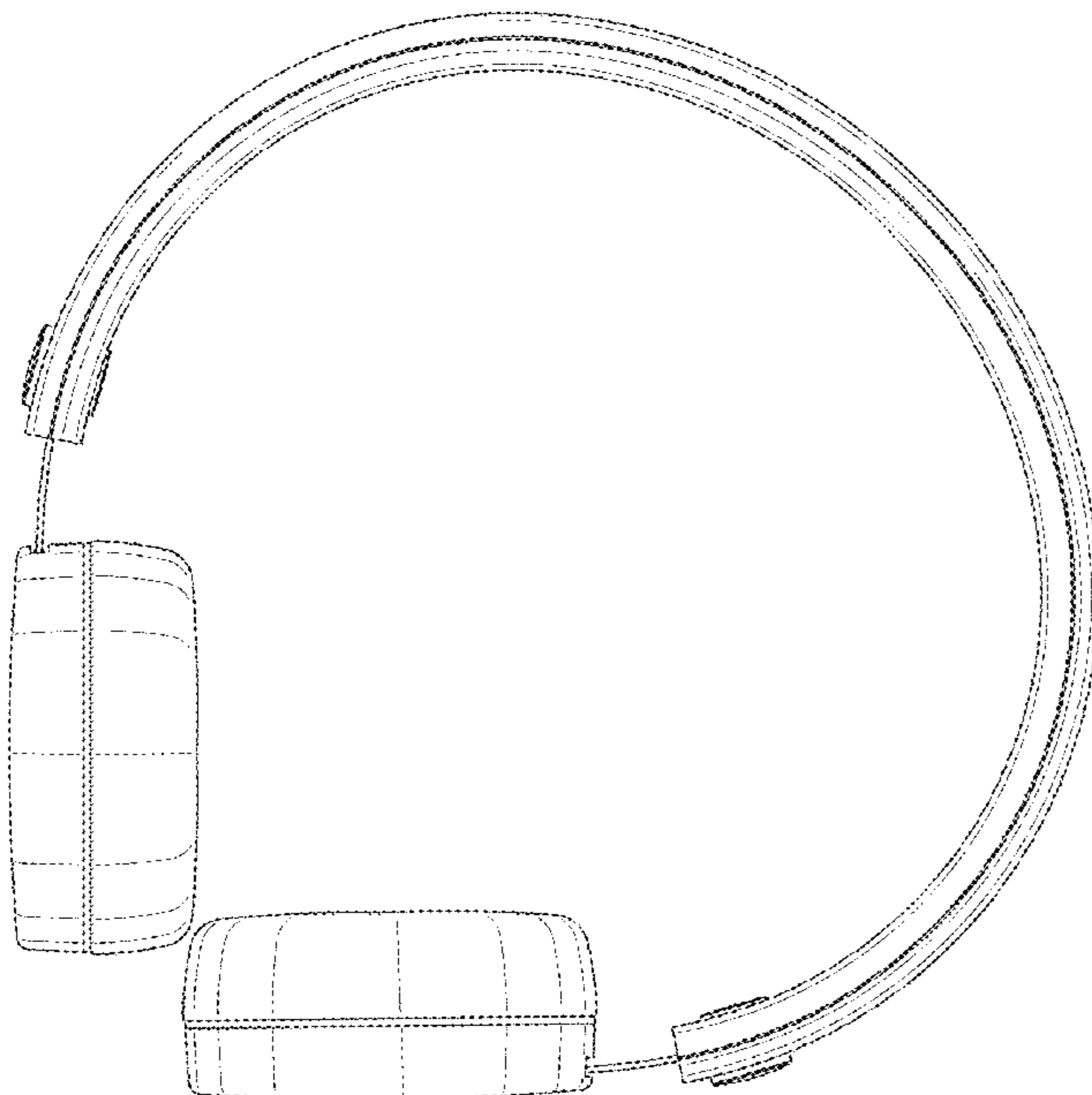
(57) **CLAIM**

The ornamental design for a headphone, as shown and described.

DESCRIPTION

FIG. 1 is a rear view of a headphone showing my new design;
FIG. 2 is a front view thereof;
FIG. 3 is a rear, bottom, and right side perspective view thereof;
FIG. 4 is front, bottom, and right side perspective view thereof;
FIG. 5 is a left side view thereof;
FIG. 6 is a top view thereof; and,
FIG. 7 is a bottom view thereof.

1 Claim, 7 Drawing Sheets



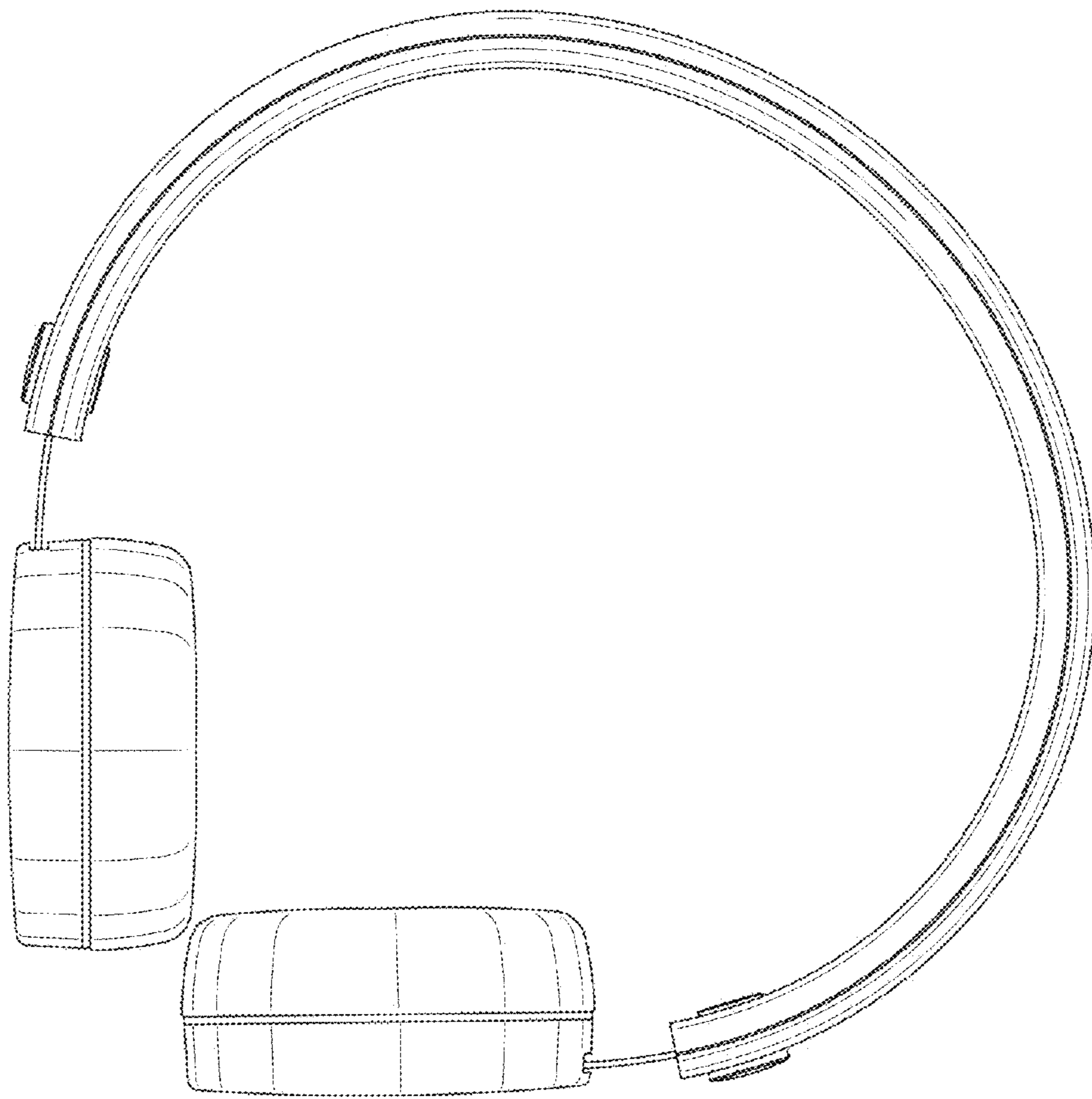


FIG. 1

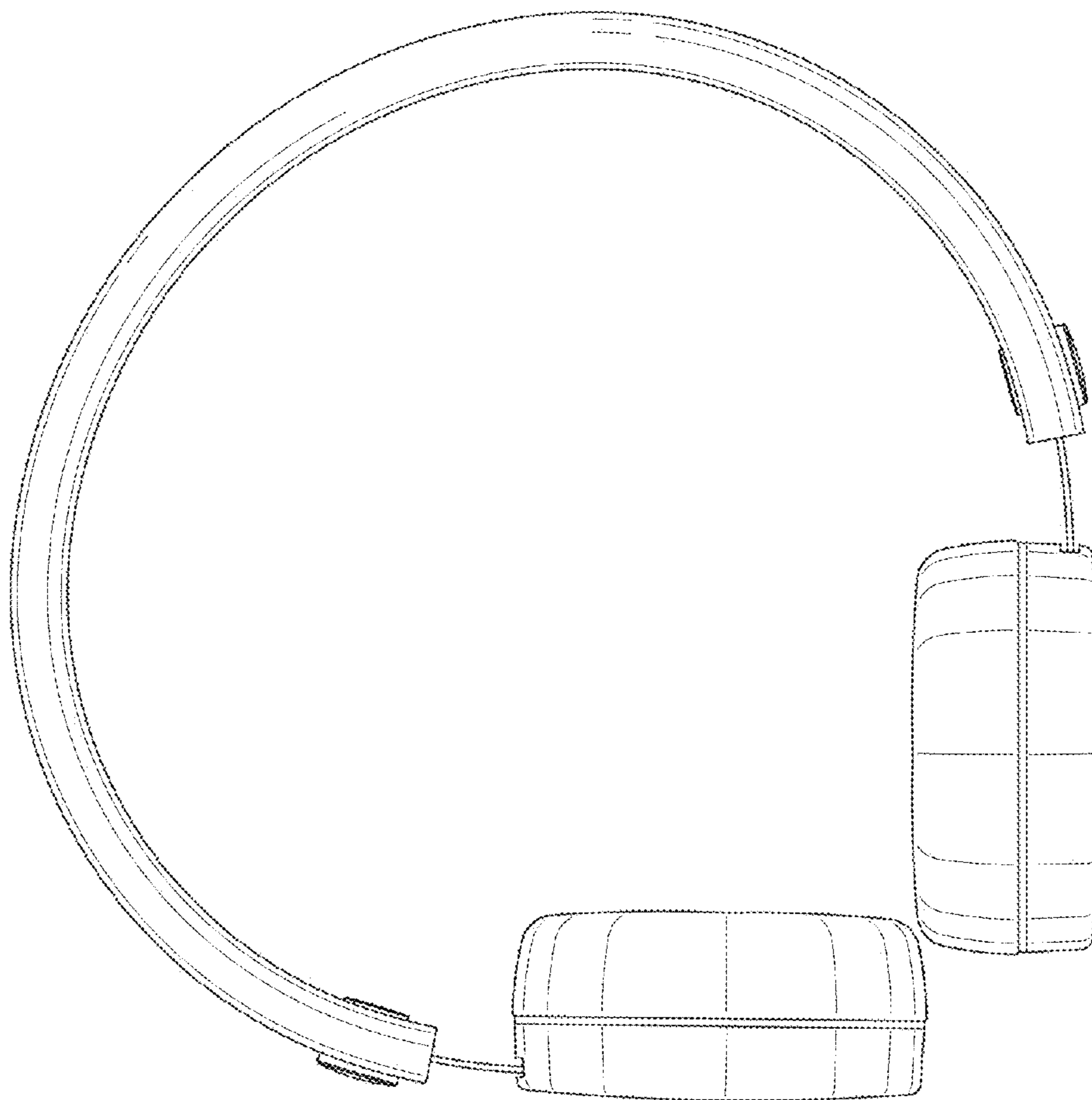


FIG. 2

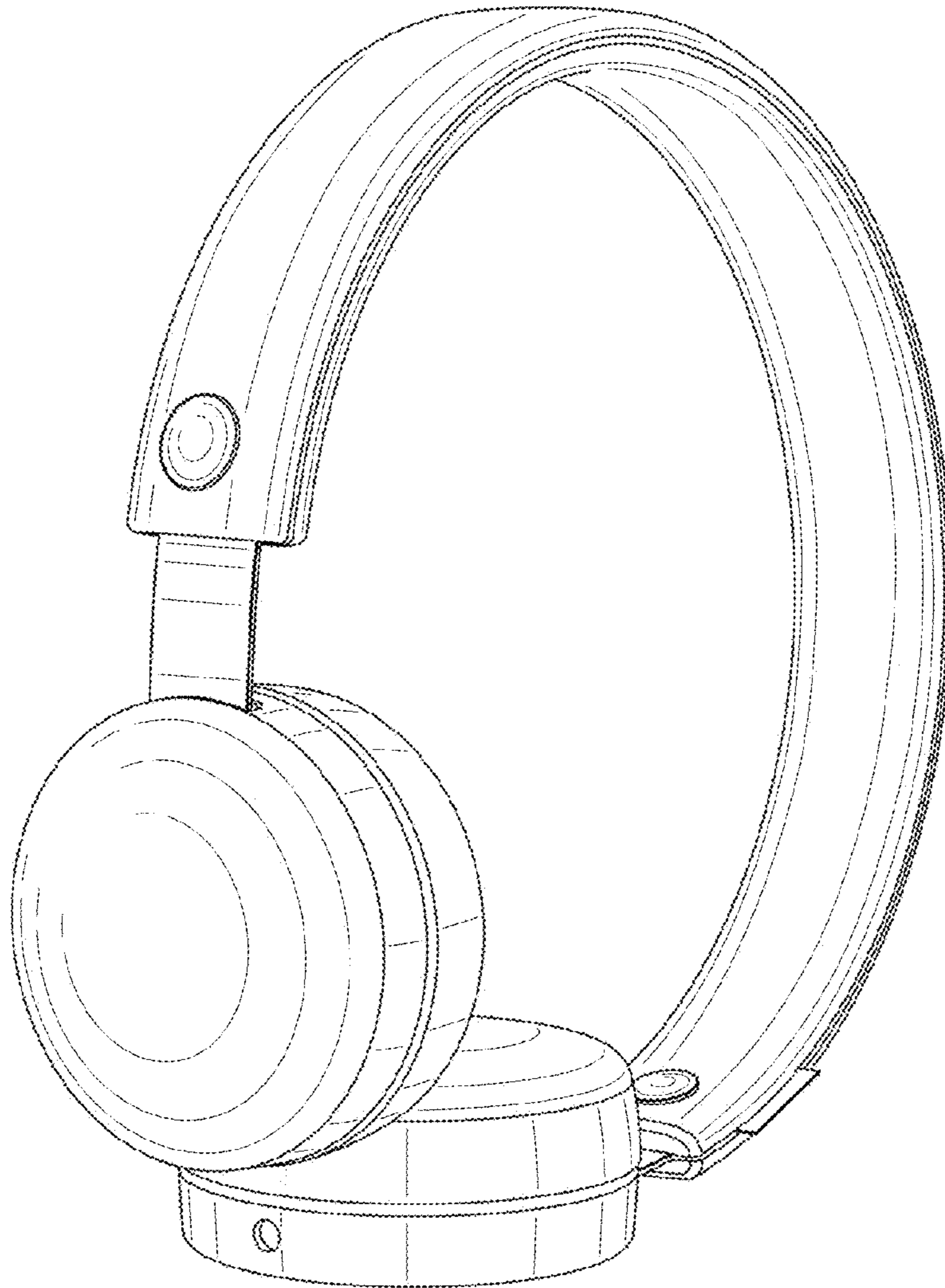


FIG. 3

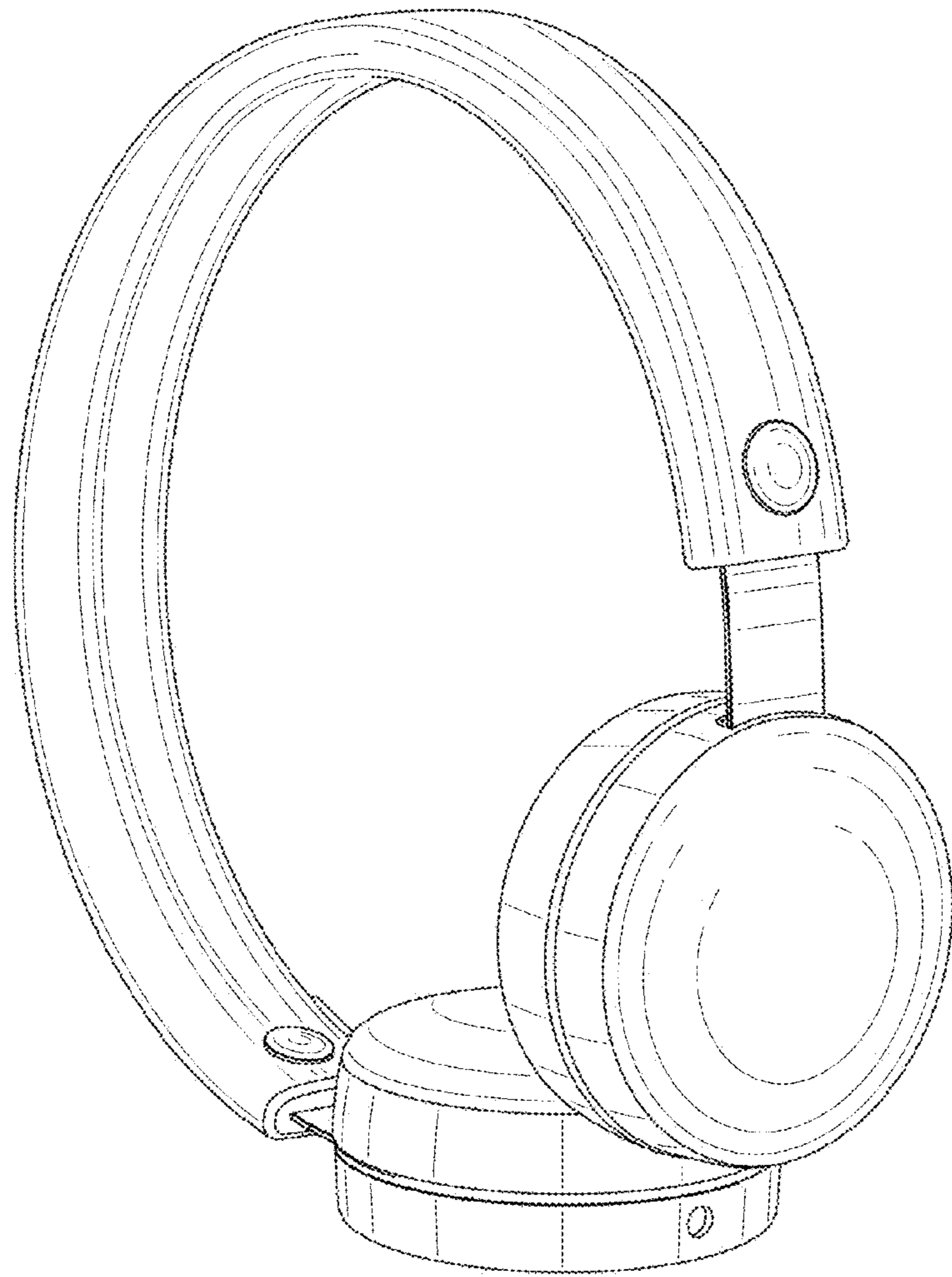


FIG. 4

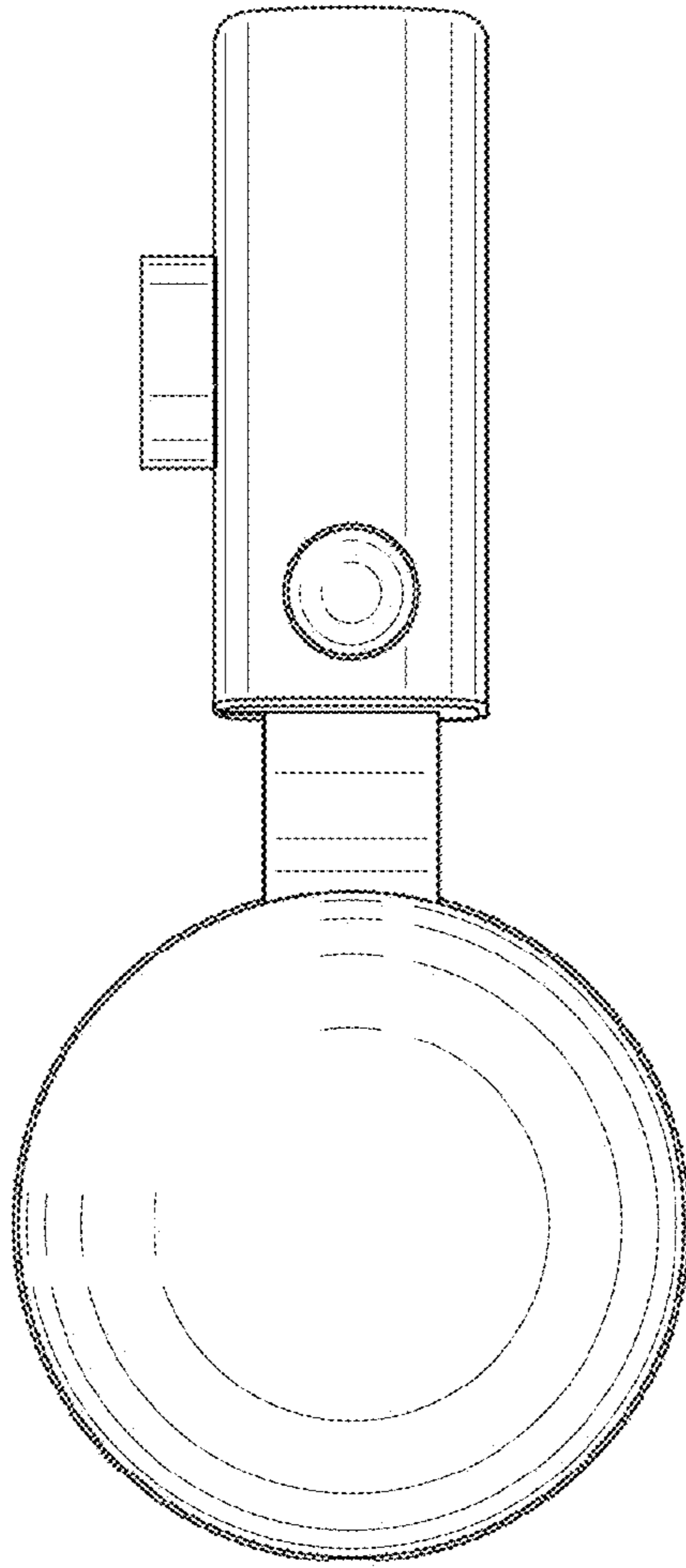


FIG. 5

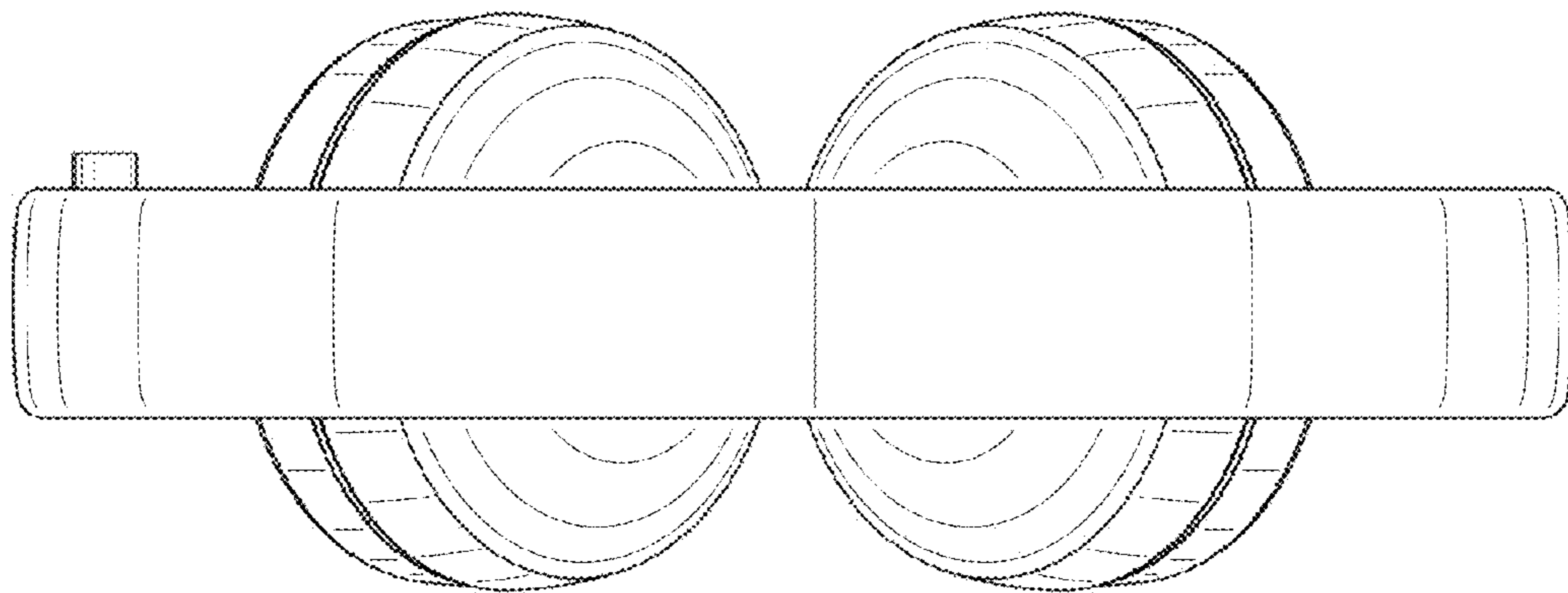


FIG. 6

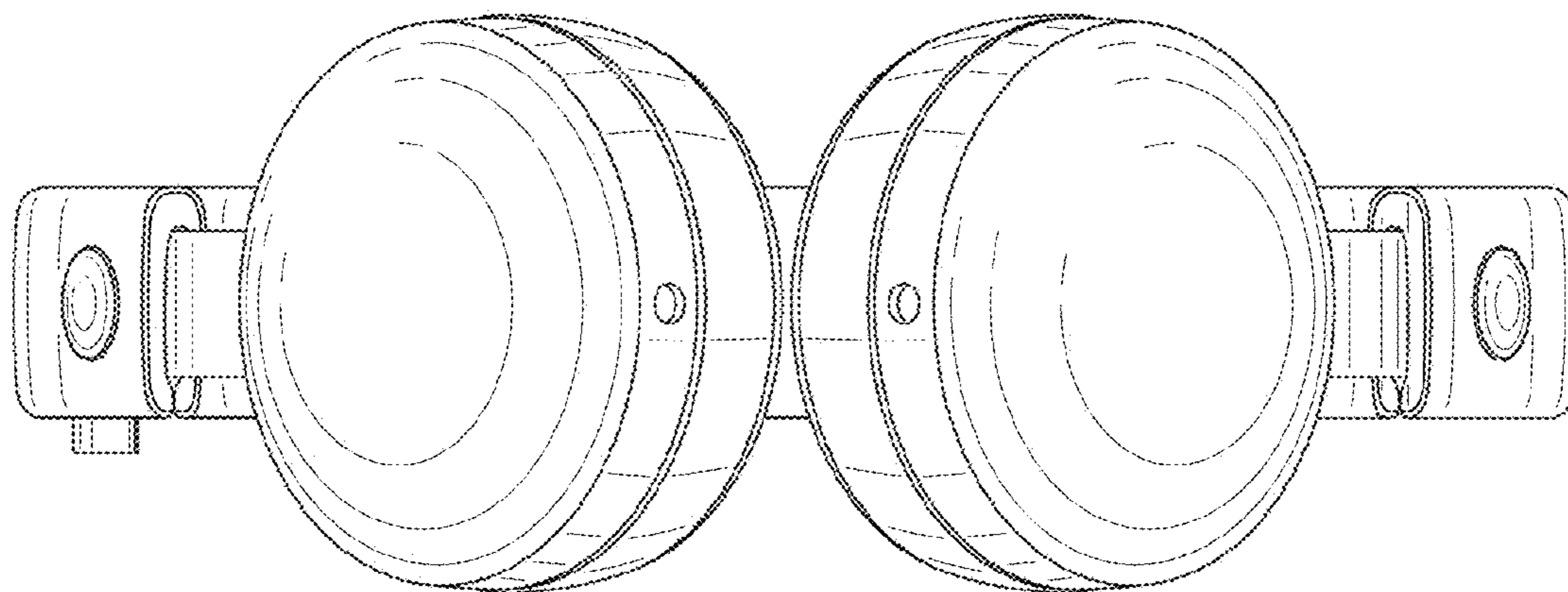


FIG. 7