



US00D733083S

(12) **United States Design Patent**  
**Hwangbo et al.**

(10) **Patent No.:** **US D733,083 S**  
(45) **Date of Patent:** **\*\* Jun. 30, 2015**

(54) **TELEVISION RECEIVER**  
(71) Applicant: **LG ELECTRONICS INC.**, Seoul (KR)  
(72) Inventors: **Deung Hwangbo**, Seoul (KR);  
**Byungmu Huh**, Seoul (KR); **Jongyoun Shin**, Gunpo-si (KR)  
(73) Assignee: **LG Electronics Inc.**, Seoul (KR)

(\*\*) Term: **14 Years**  
(21) Appl. No.: **29/480,670**  
(22) Filed: **Jan. 28, 2014**

(30) **Foreign Application Priority Data**  
Jul. 29, 2013 (KR) ..... 30-2013-0039239  
(51) **LOC (10) Cl.** ..... **14-03**  
(52) **U.S. Cl.**  
USPC ..... **D14/126**  
(58) **Field of Classification Search**  
USPC ..... D14/125-134, 239, 371, 374-377, 450,  
D14/448, 336, 159; D6/300; D10/15, 26;  
D21/329, 515, 577, 333, 331;  
D16/241; 312/7.2; 345/104, 156, 168,  
345/87, 173, 690; 446/484, 175; 273/148 B;  
248/917-924, 465; 348/836, 838, 180,  
348/184, 325, 739  
CPC ..... H05K 5/0004; H05K 5/0017; H05K 5/02;  
H05K 5/0216; G06F 1/1601; G06F 1/1643  
See application file for complete search history.

(56) **References Cited**  
**U.S. PATENT DOCUMENTS**  
D634,722 S \* 3/2011 Kim et al. .... D14/126  
D634,723 S \* 3/2011 Park et al. .... D14/126  
D643,388 S \* 8/2011 Takami et al. .... D14/126  
D643,391 S \* 8/2011 Honda ..... D14/126

D661,271 S \* 6/2012 Hwangbo et al. .... D14/126  
D682,799 S \* 5/2013 Hwang Bo et al. .... D14/126  
D701,186 S \* 3/2014 Kim ..... D14/126  
D702,659 S \* 4/2014 Yoo et al. .... D14/126  
D703,168 S \* 4/2014 Won et al. .... D14/126  
D703,169 S \* 4/2014 Kim et al. .... D14/126  
D708,157 S \* 7/2014 Park ..... D14/126  
D708,596 S \* 7/2014 Park ..... D14/126  
D723,485 S \* 3/2015 Hwangbo et al. .... D14/126  
D726,669 S \* 4/2015 Yoo et al. .... D14/126

**OTHER PUBLICATIONS**

Ballestin, Alberto, "War sword in South Korea: Samsung tomb price your HDTV OLED and 4K LG launches more affordable models" Aug. 12, 2013, <http://es.engadget.com>, 2 pages.\*

\* cited by examiner

*Primary Examiner* — Eric Goodman  
*Assistant Examiner* — Clese Moore, Jr.

(74) *Attorney, Agent, or Firm* — Birch, Stewart, Kolasch & Birch, LLP

(57) **CLAIM**  
The ornamental design for a television receiver, as shown and described.

**DESCRIPTION**

FIG. 1 is a perspective view of a television receiver showing our new design;  
FIG. 2 is a front view thereof;  
FIG. 3 is a rear view thereof;  
FIG. 4 is a left side view thereof;  
FIG. 5 is a right side view thereof;  
FIG. 6 is a top plan view thereof;  
FIG. 7 is a bottom plan view thereof; and,  
FIG. 8 is a rear perspective view thereof.  
The broken lines shown illustrate portions of the television receiver that form no part of the claimed design.

**1 Claim, 7 Drawing Sheets**

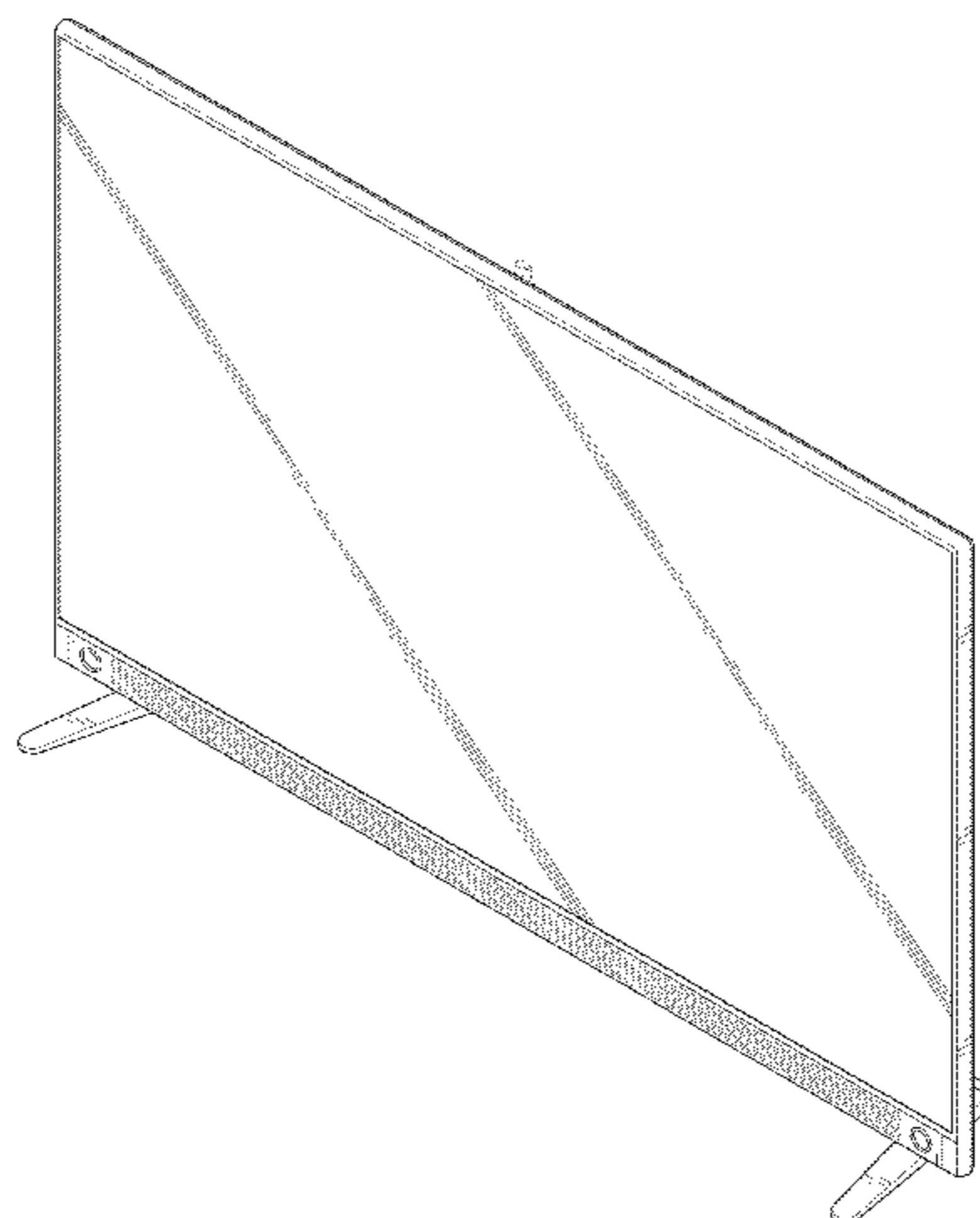


FIG. 1

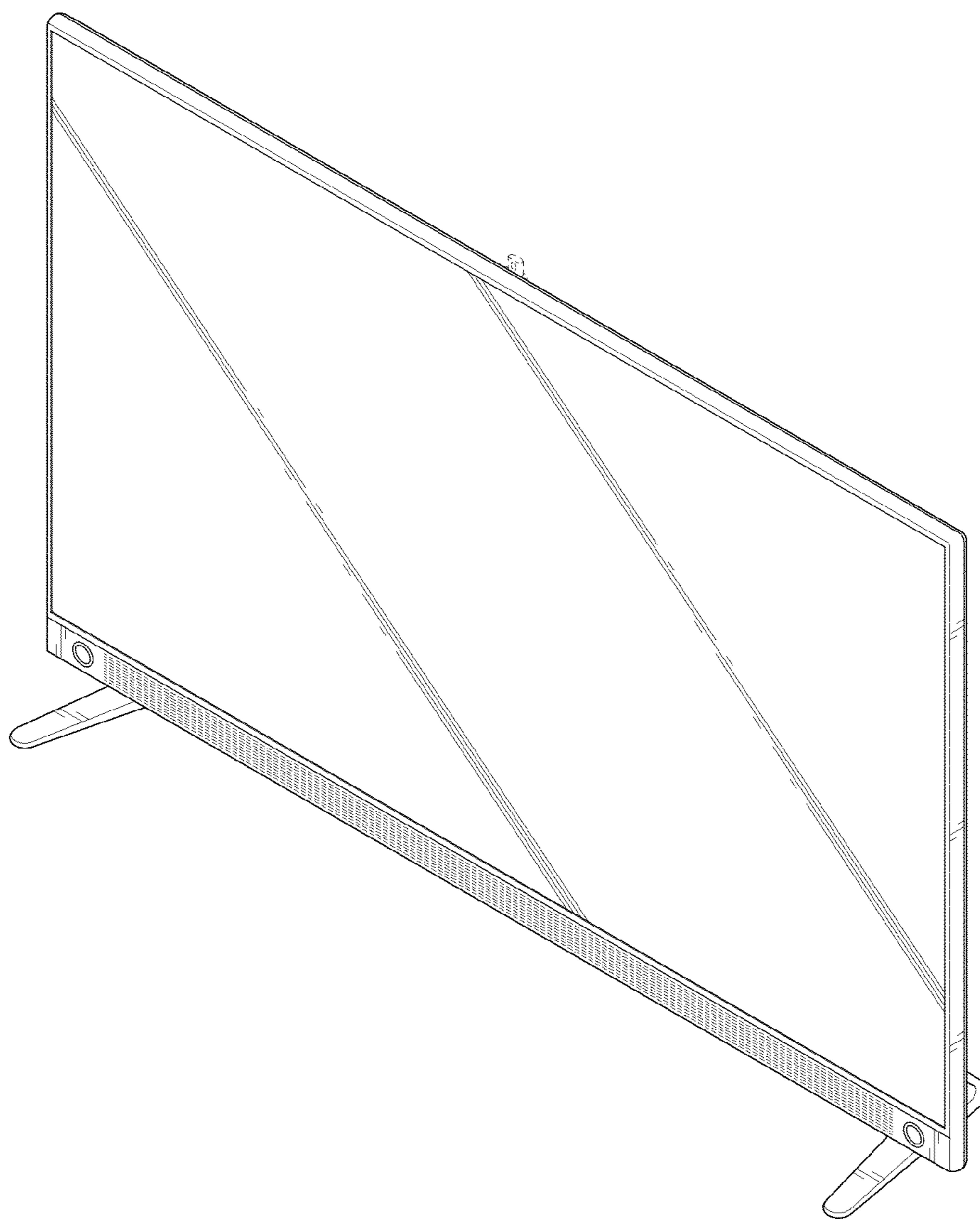


FIG. 2

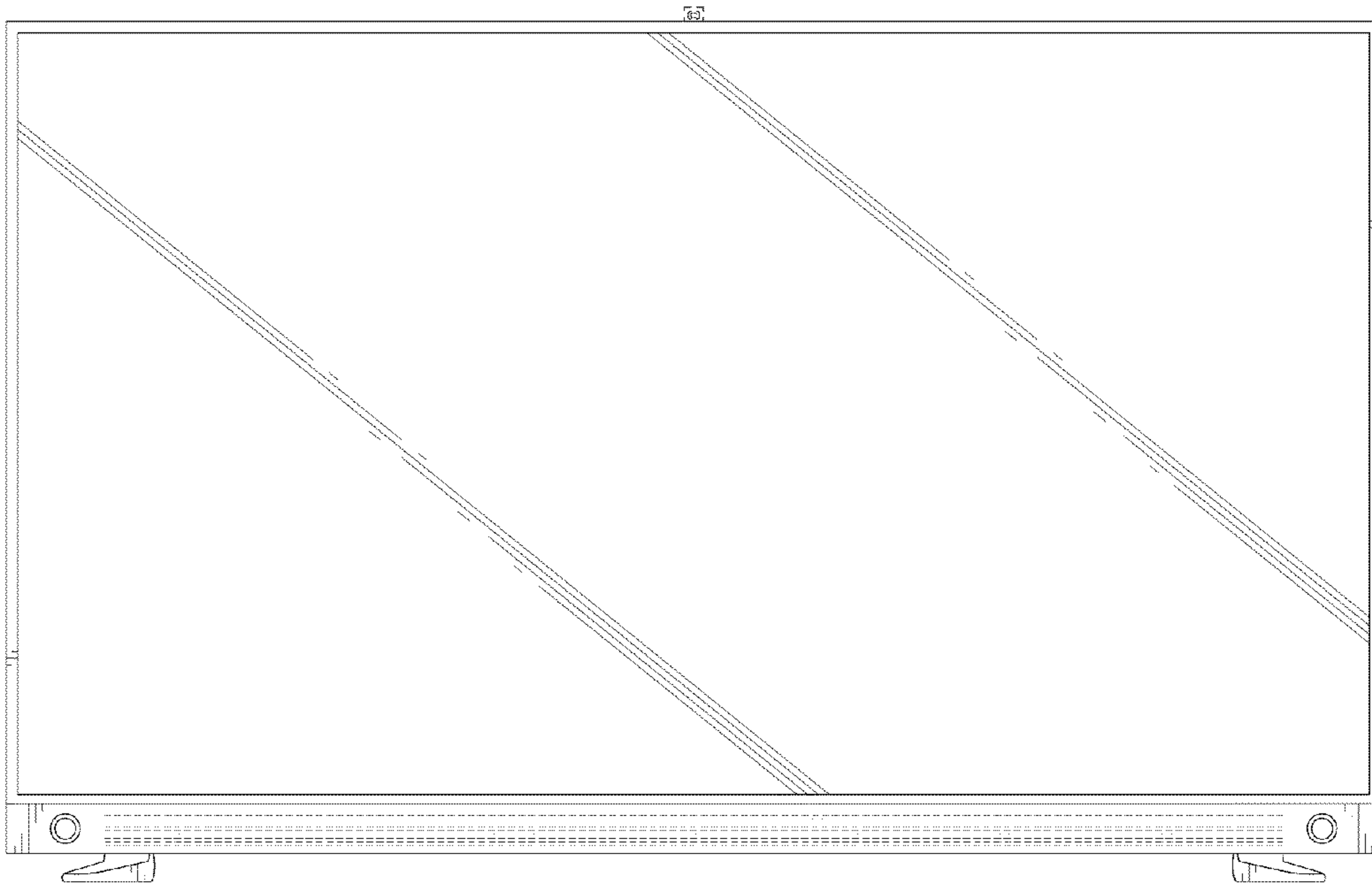


FIG. 3

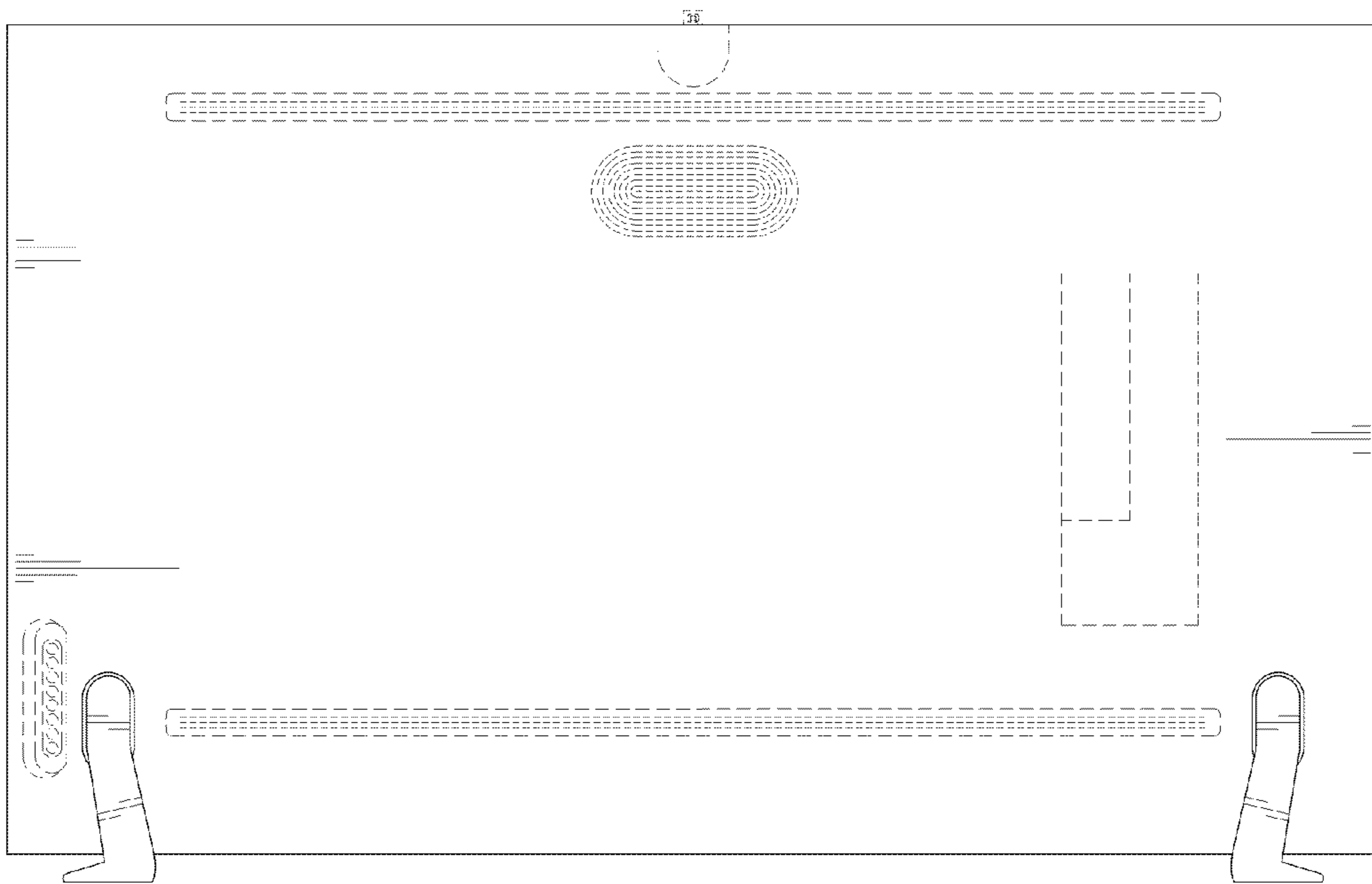


FIG. 4

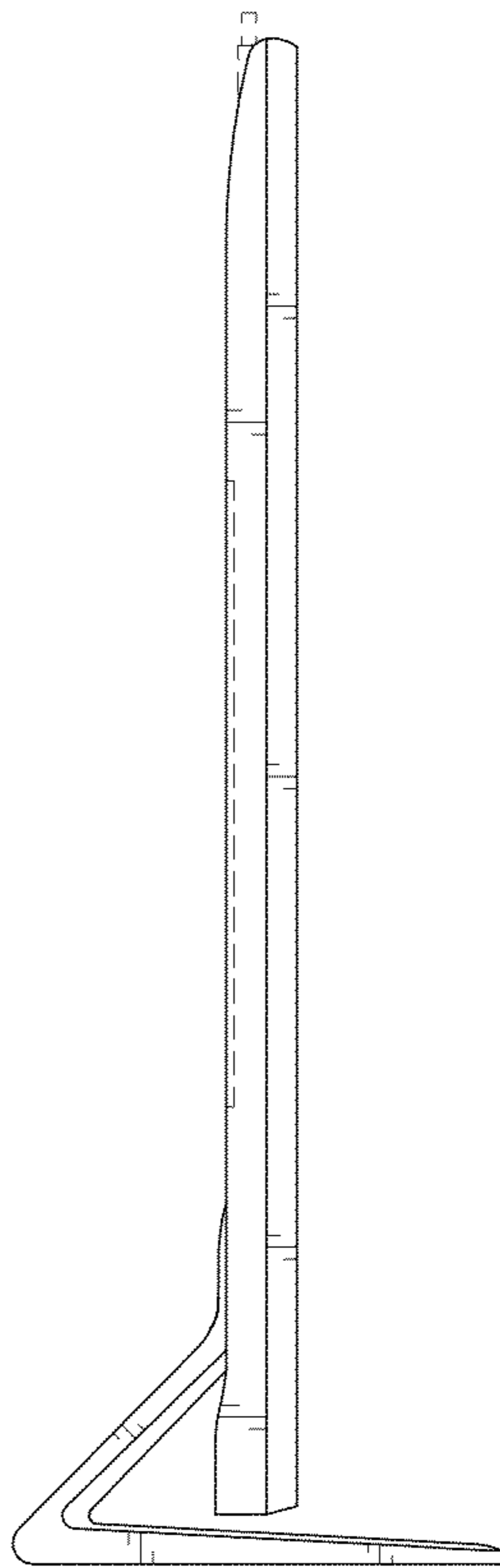


FIG. 5

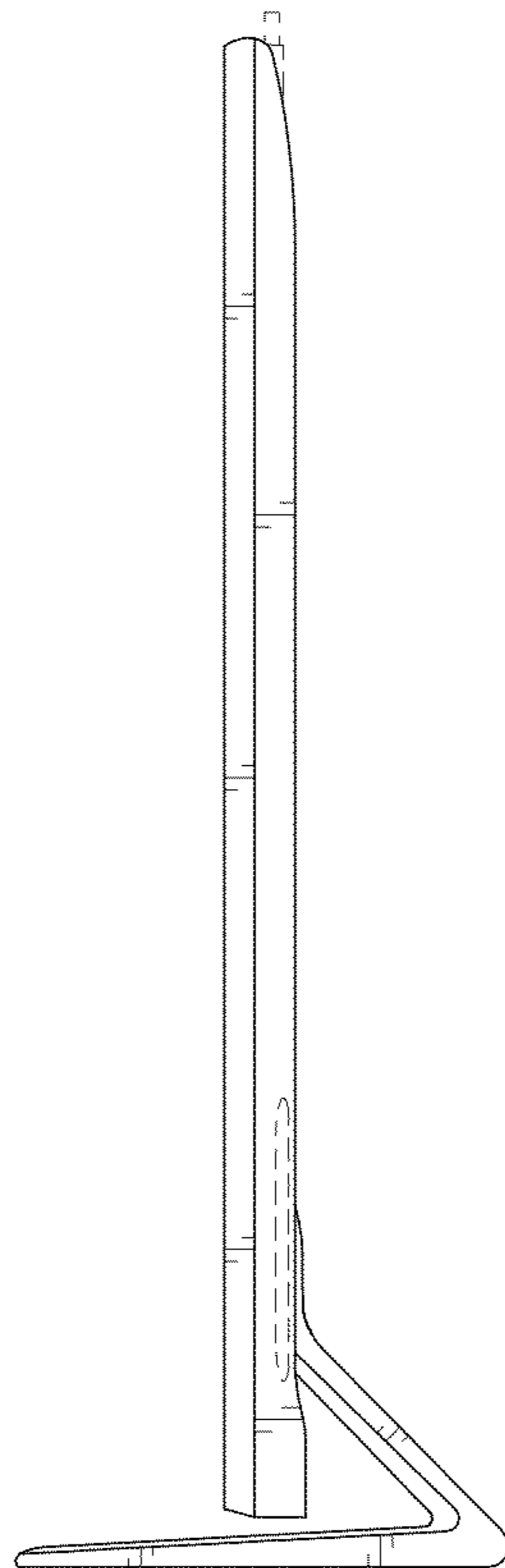


FIG. 6

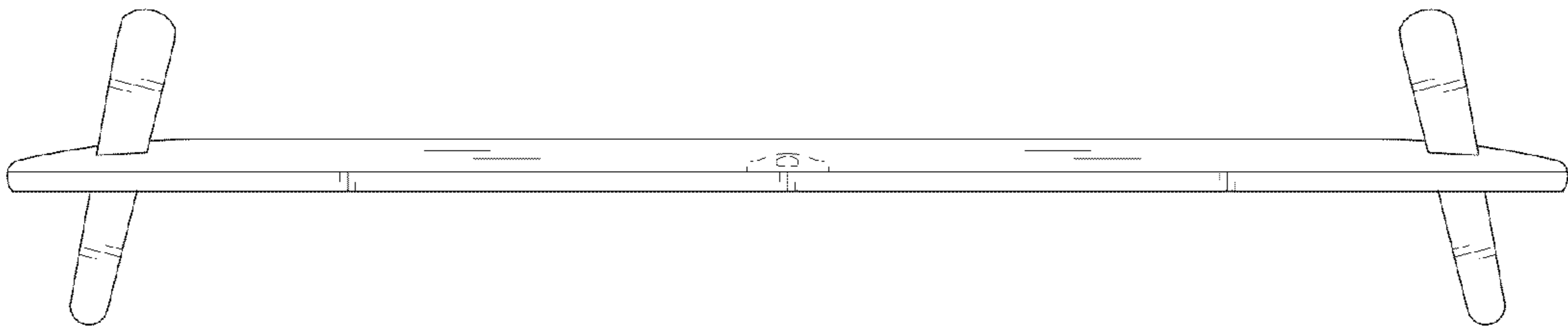


FIG. 7

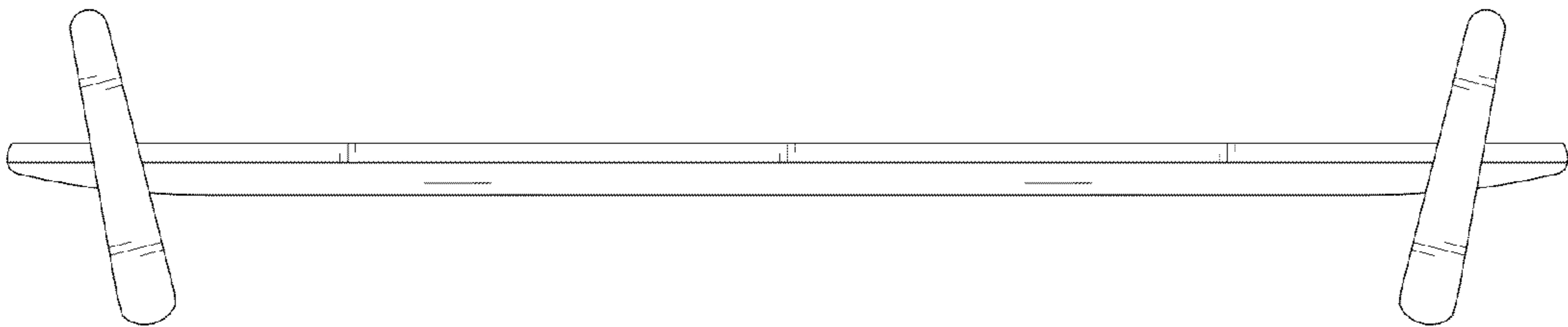


FIG. 8

