



US00D733081S

(12) **United States Design Patent**
Won

(10) **Patent No.:** **US D733,081 S**
(45) **Date of Patent:** **** Jun. 30, 2015**

(54) **TV RECEIVER**

(71) Applicant: **LG ELECTRONICS INC.**, Seoul (KR)

(72) Inventor: **Hyojin Won**, Seoul (KR)

(73) Assignee: **LG Electronics Inc.**, Seoul (KR)

(**) Term: **14 Years**

(21) Appl. No.: **29/476,778**

(22) Filed: **Dec. 17, 2013**

(30) **Foreign Application Priority Data**

Jun. 17, 2013 (KR) 30-2013-0031255

(51) **LOC (10) Cl.** **14-03**

(52) **U.S. Cl.**
USPC **D14/126**

(58) **Field of Classification Search**
USPC D14/126, 127, 128, 129, 239, 371, 136,
D14/341, 375; 312/7.2; 348/836, 838, 180,
348/184, 325, 739; 341/12; 248/917-924,
248/465; 345/104, 133, 156, 168, 87, 173;
720/605, 600, 655; 455/347;
273/148 B; D27/126; D10/15, 26
CPC H04N 21/42224; H04N 2005/443;
H04N 21/4122; H04N 21/41407; H04N
21/4222; H04N 21/43615; H04N 21/43635;
H04N 5/4403; H04N 5/64; H04N 5/655;
H04N 5/645; H04N 7/00

See application file for complete search history.

(56) **References Cited**

U.S. PATENT DOCUMENTS

D607,426 S *	1/2010	Yang	D14/126
D643,002 S *	8/2011	Choi et al.	D14/126
D680,981 S *	4/2013	Kim et al.	D14/126
D680,982 S *	4/2013	Lee et al.	D14/126
D682,229 S *	5/2013	Lee et al.	D14/126
D682,232 S *	5/2013	Lee et al.	D14/126
D691,977 S *	10/2013	Lee et al.	D14/126

* cited by examiner

Primary Examiner — Randall Gholson

(74) *Attorney, Agent, or Firm* — Morgan, Lewis & Bockius LLP

(57) **CLAIM**

The ornamental design for a TV receiver, as shown and described.

DESCRIPTION

FIG. 1 is a front, right side, perspective view of a TV receiver showing our new design;
FIG. 2 is a front view thereof;
FIG. 3 is a rear view thereof;
FIG. 4 is a left side view thereof;
FIG. 5 is a right side view thereof;
FIG. 6 is a top view thereof; and,
FIG. 7 is a bottom view thereof.

1 Claim, 4 Drawing Sheets

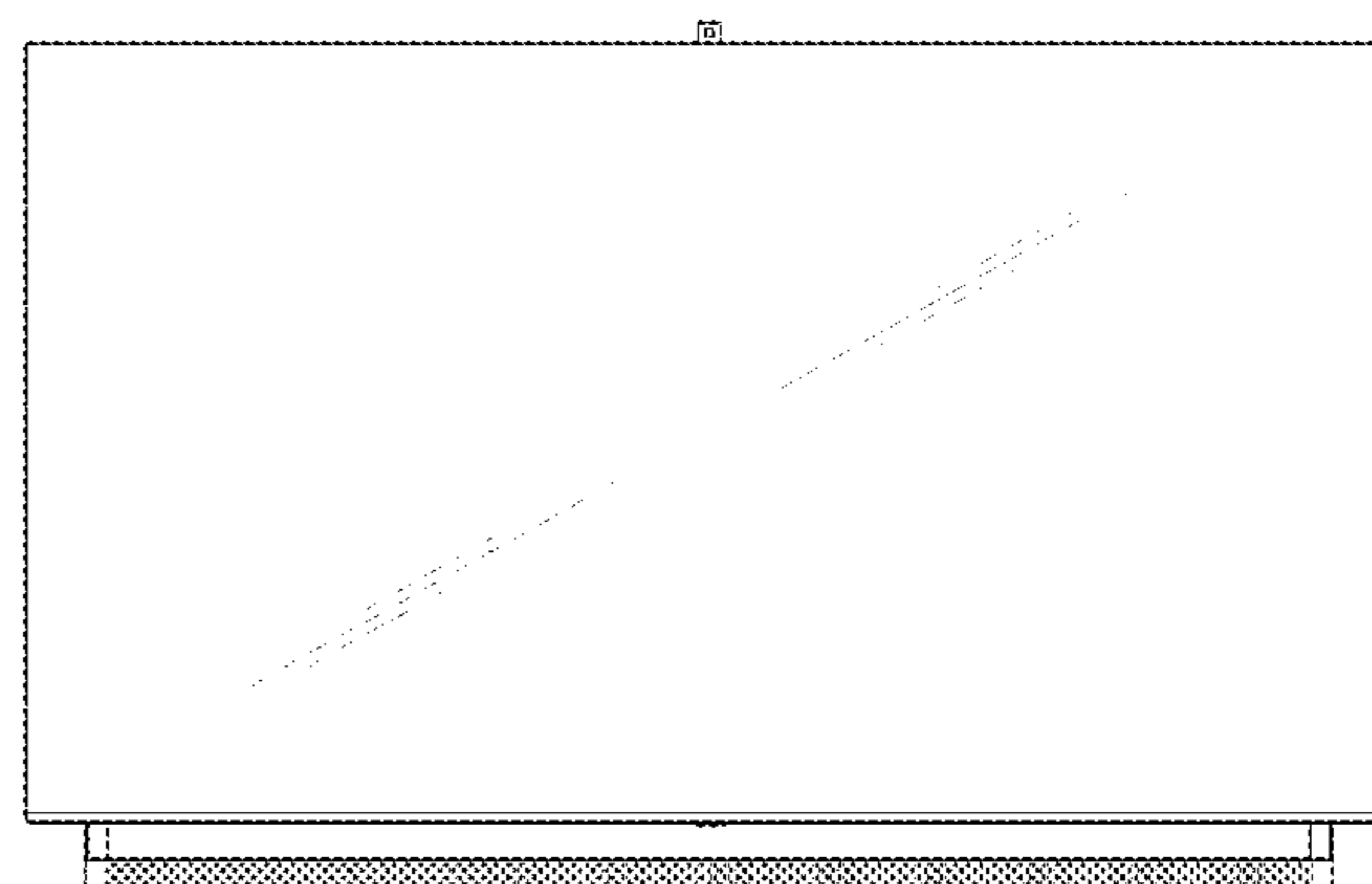
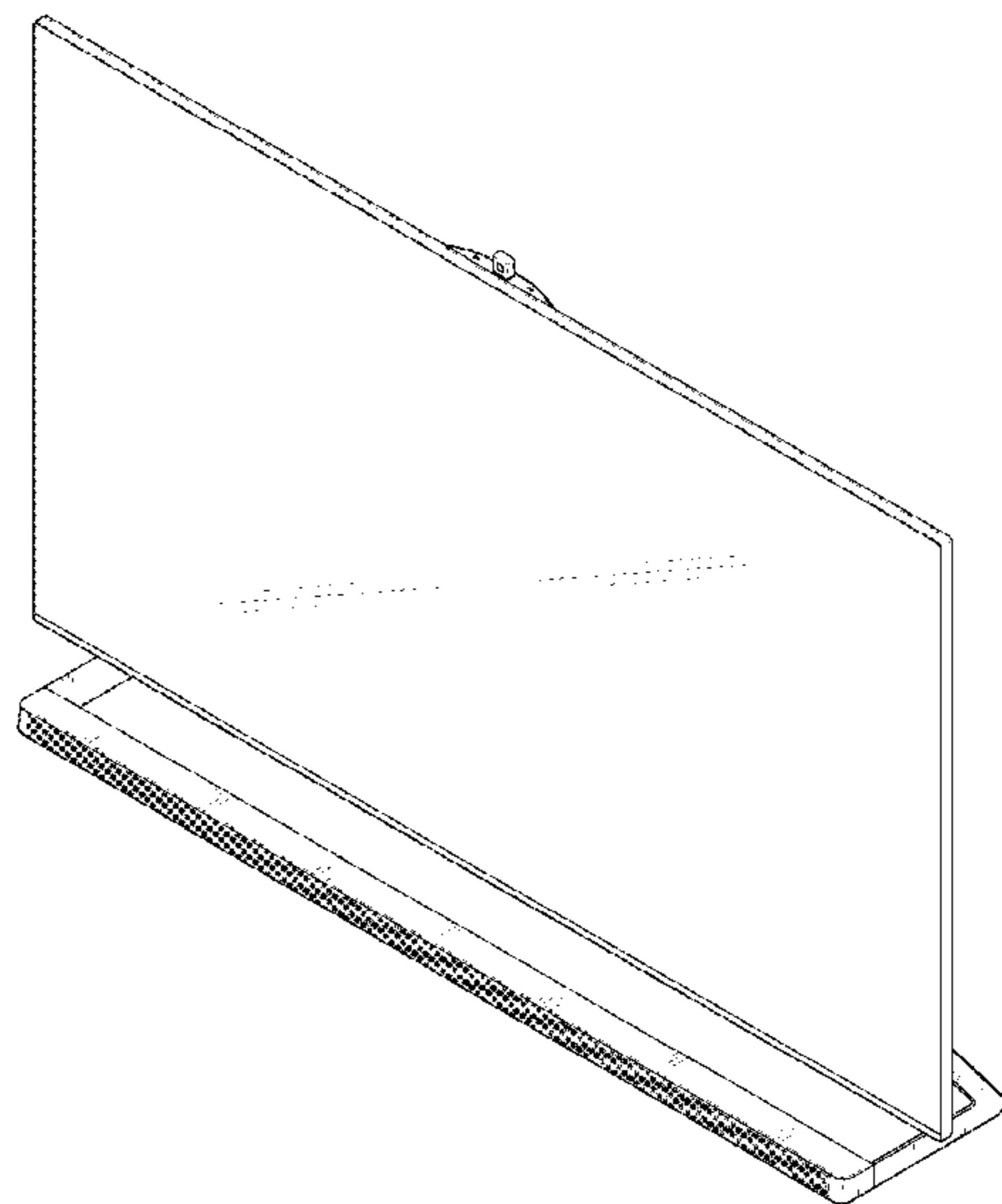


FIG. 1

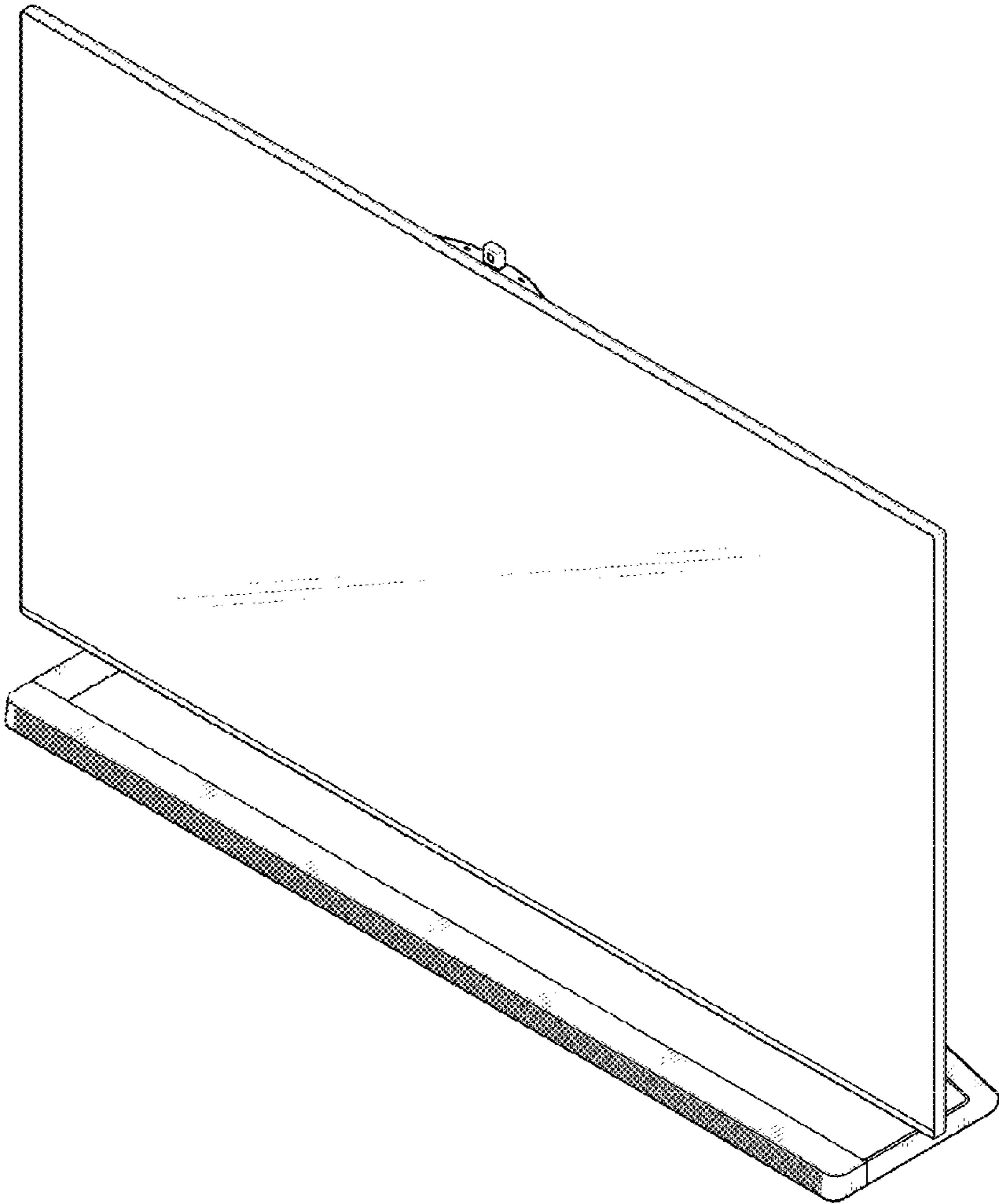


FIG. 2

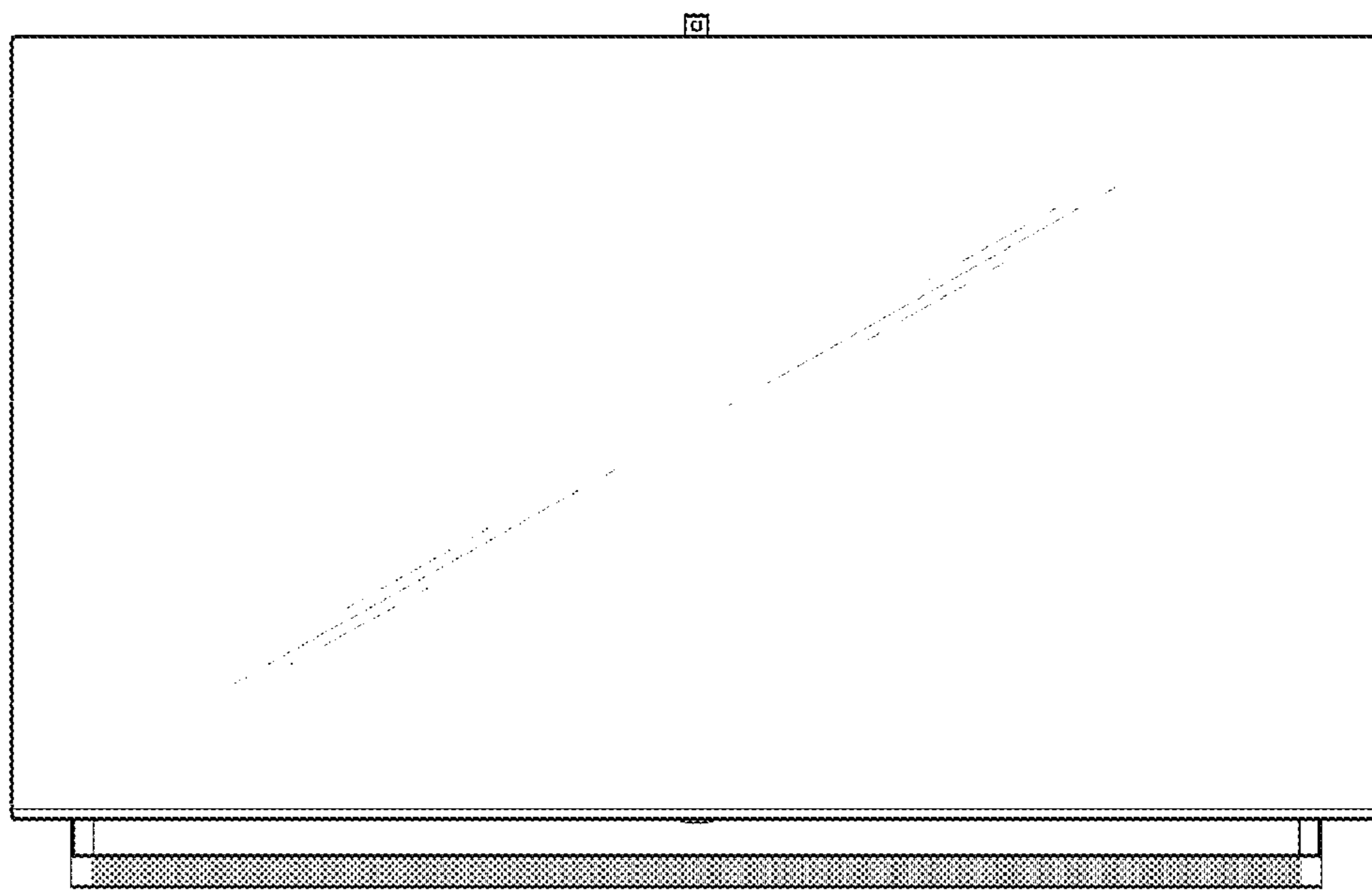


FIG. 3

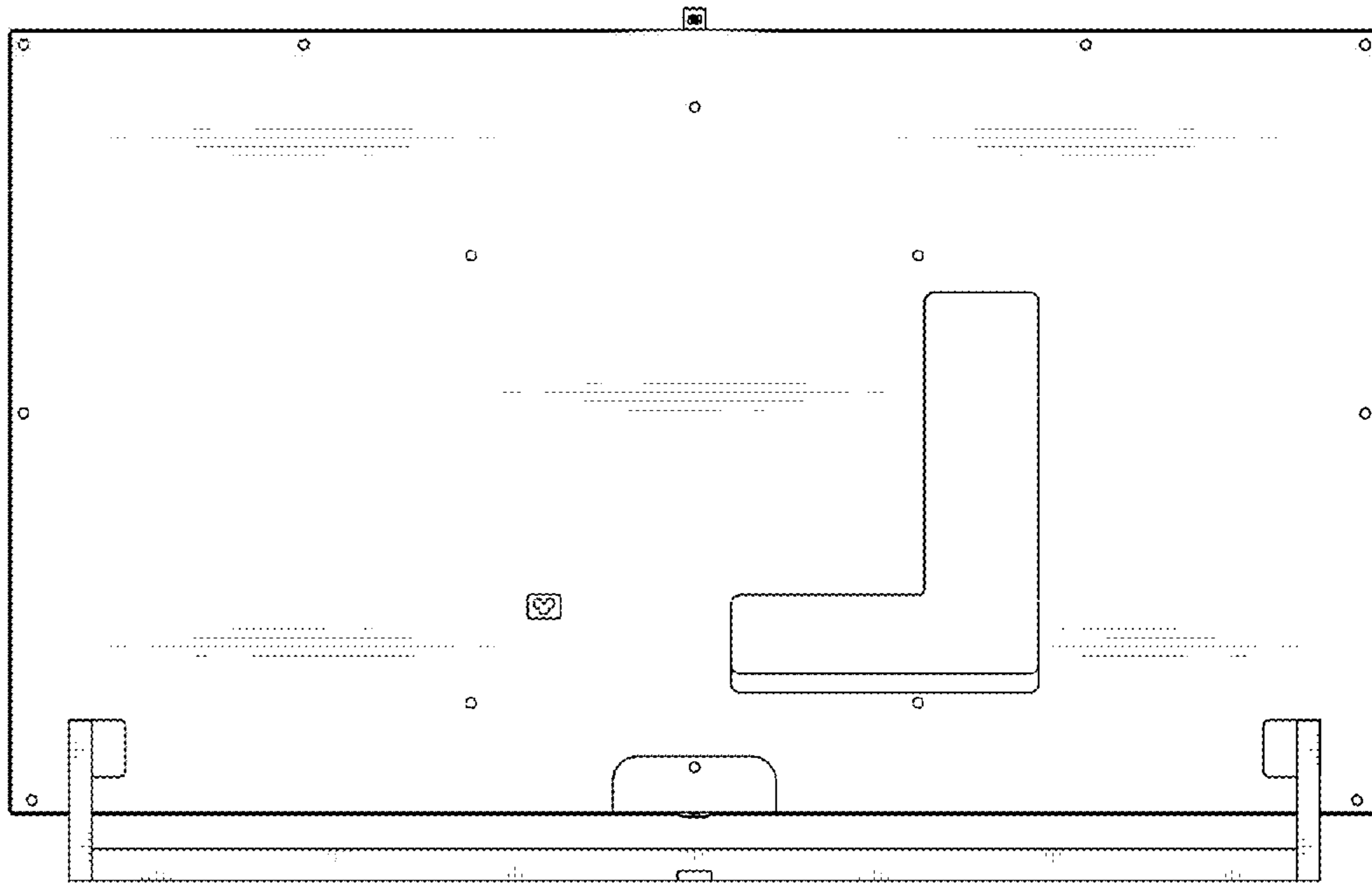


FIG. 4

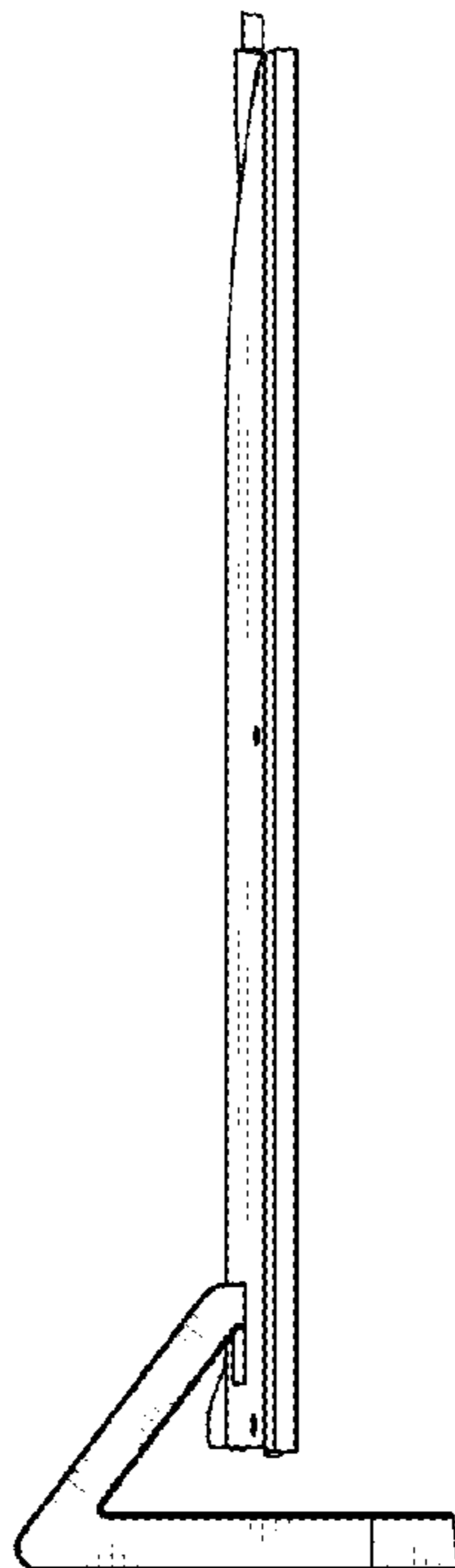


FIG. 5

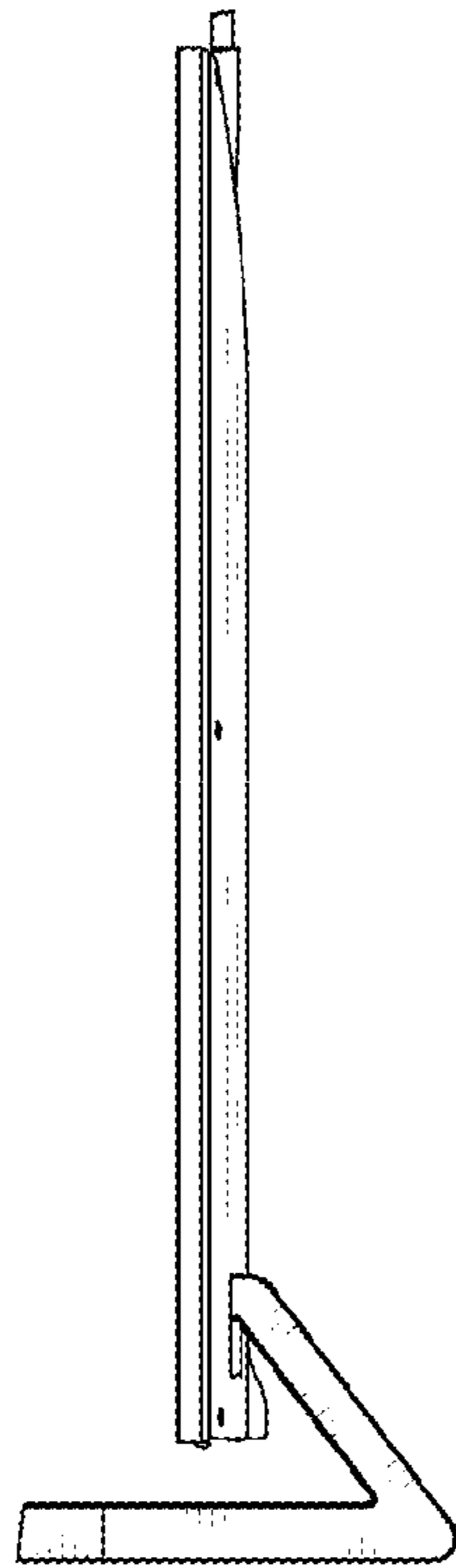


FIG. 6

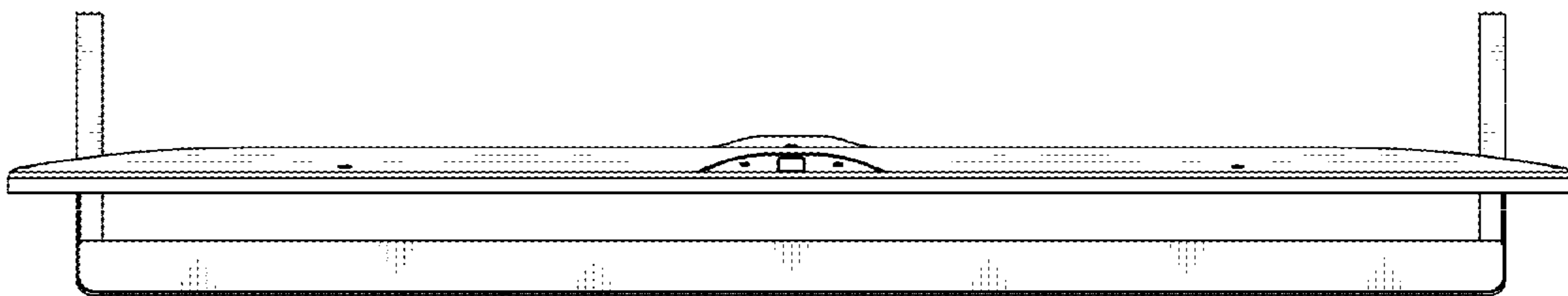


FIG. 7

