



US00D733079S

(12) **United States Design Patent**
Chen et al.

(10) **Patent No.:** **US D733,079 S**
(45) **Date of Patent:** **** Jun. 30, 2015**

(54) **LIGHT-EMITTING DIODE DEVICE**

(71) Applicant: **EPISTAR CORPORATION**, Hsinchu (TW)

(72) Inventors: **Chao Hsing Chen**, Hsinchu (TW); **Tsun Kai Ko**, Hsinchu (TW); **Chien Fu Shen**, Hsinchu (TW); **Jia Kuen Wang**, Hsinchu (TW); **Tzu Yao Tseng**, Hsinchu (TW)

(73) Assignee: **Epistar Corporation**, Hsinchu (TW)

(**) Term: **14 Years**

(21) Appl. No.: **29/489,458**

(22) Filed: **Apr. 30, 2014**

(51) **LOC (10) Cl.** **13-03**

(52) **U.S. Cl.**
USPC **D13/180**

(58) **Field of Classification Search**
USPC D13/180; D26/1; 257/79, 80, 81, 88, 257/89, 95, 98, 99, 100, E33.058; 313/483, 313/498, 500; 362/555, 800
See application file for complete search history.

(56) **References Cited**

U.S. PATENT DOCUMENTS

7,042,089	B2 *	5/2006	Uemura et al.	257/745
7,531,841	B2 *	5/2009	Ko et al.	257/79
7,947,996	B2 *	5/2011	Sakamoto et al.	257/98
8,093,605	B2 *	1/2012	Kamei	257/98
8,120,057	B2 *	2/2012	Sano et al.	257/99
8,188,493	B2 *	5/2012	Li et al.	257/91
8,293,382	B2 *	10/2012	Ou et al.	428/690
D674,356	S *	1/2013	Inoue et al.	D13/180
D681,567	S *	5/2013	Wang et al.	D13/180
8,436,369	B2 *	5/2013	Seo et al.	257/79
8,466,487	B2 *	6/2013	Emura	257/99
D687,396	S *	8/2013	Chen et al.	D13/180
8,546,840	B2 *	10/2013	Inoue et al.	257/99

(Continued)

Primary Examiner — Selina Sikder

(74) *Attorney, Agent, or Firm* — Muncy, Geissler, Olds & Lowe, P.C.

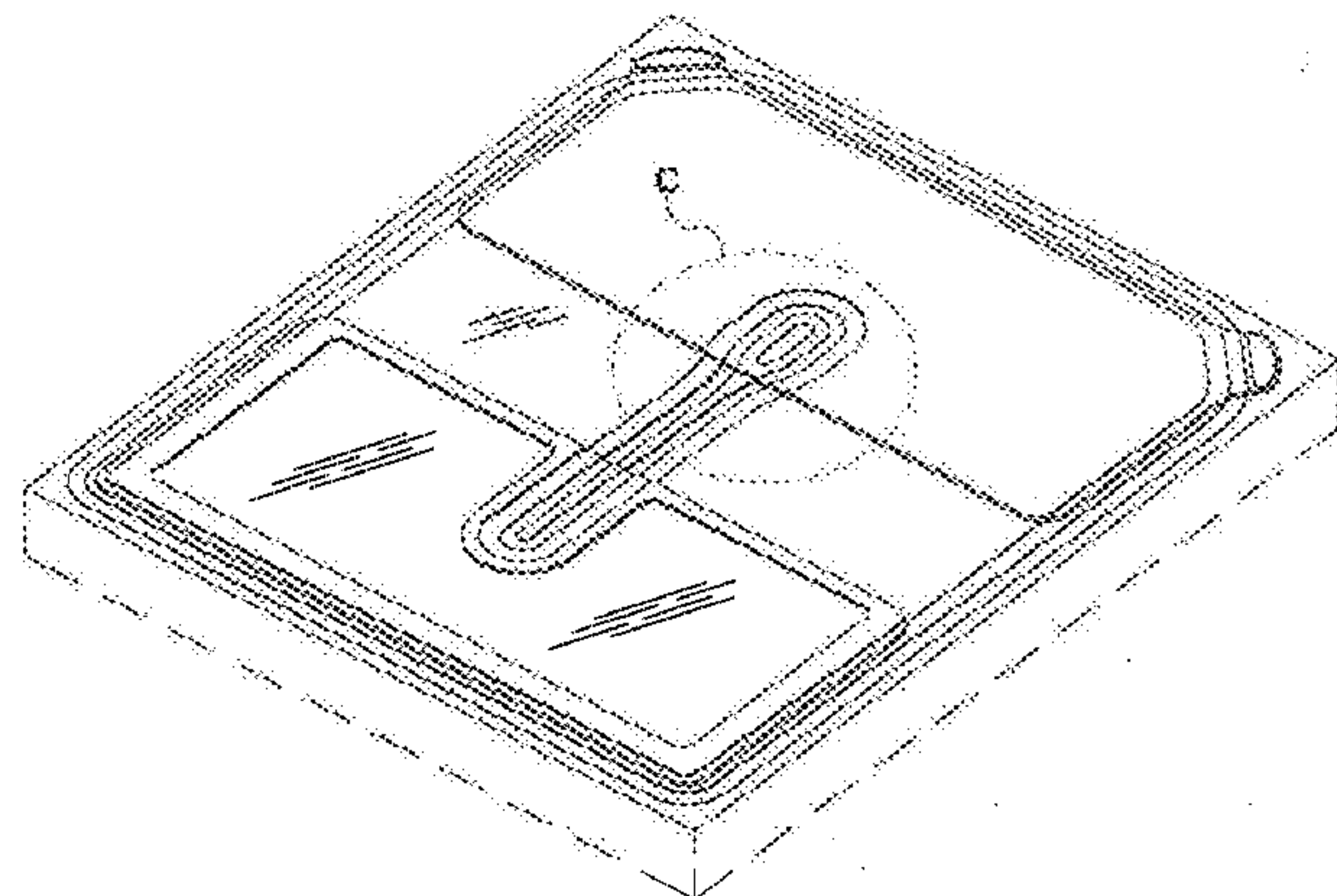
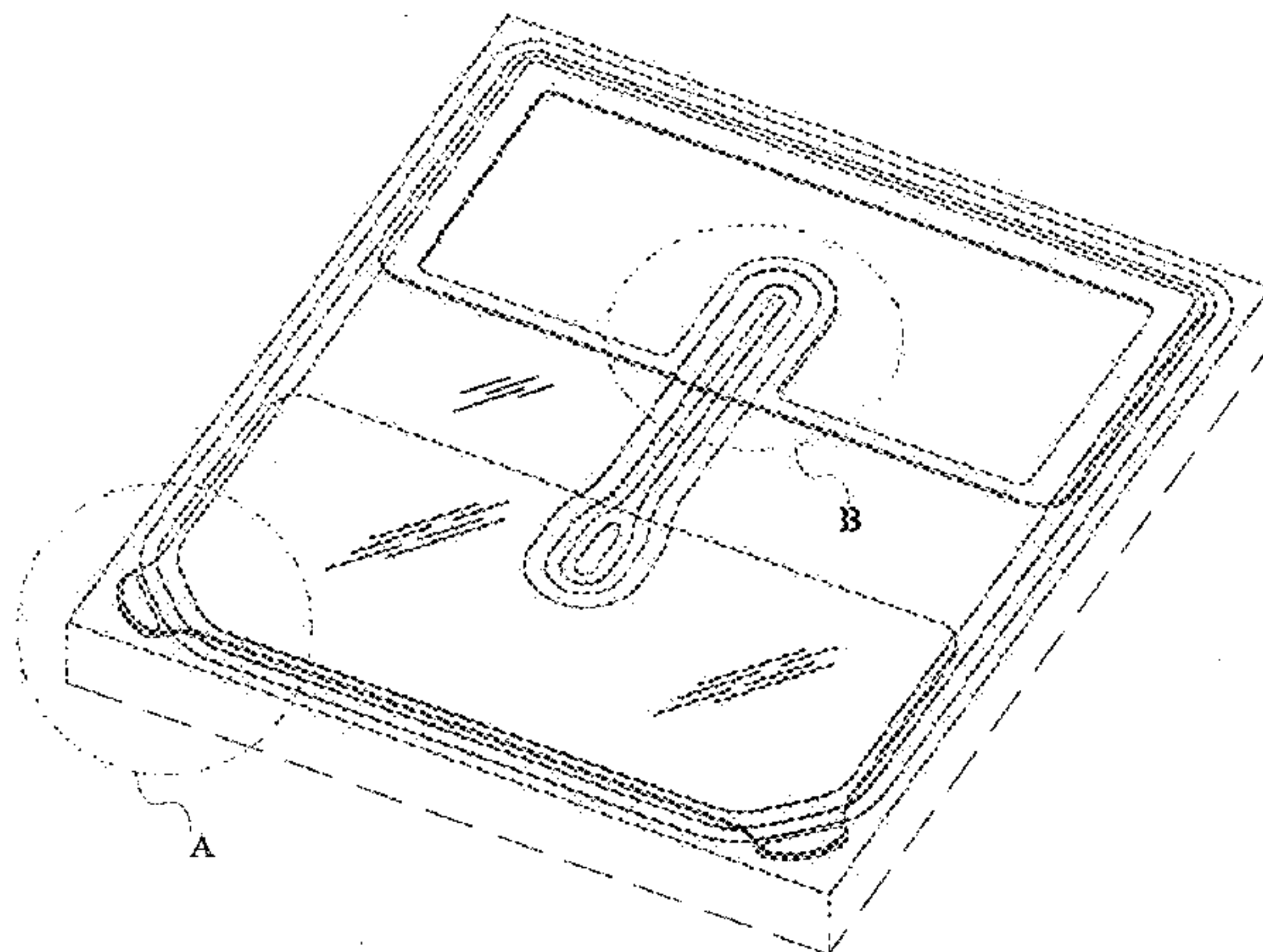
(57) **CLAIM**

The ornamental design for a light-emitting diode device, as shown and described.

DESCRIPTION

FIG. 1 is a perspective view of a light-emitting diode device showing our first example of the new design; FIG. 2 is another perspective view thereof; FIG. 3 is a front elevational view thereof; FIG. 4 is a rear elevational view thereof; FIG. 5 is a left side view thereof; FIG. 6 is a right side view thereof; FIG. 7 is a top plan view thereof; FIG. 8 is a bottom plan view thereof; FIG. 9 is an enlarged partial view thereof at section A in FIG. 1; FIG. 10 is an enlarged partial view thereof at section B in FIG. 1; FIG. 11 is an enlarged partial view thereof at section C in FIG. 1; FIG. 12 is a perspective view of a light-emitting diode device showing our second example of the new design; FIG. 13 is another perspective view thereof; FIG. 14 is a front elevational view thereof; FIG. 15 is a rear elevational view thereof; FIG. 16 is a left side view thereof; FIG. 17 is a right side view thereof; FIG. 18 is a top plan view thereof; FIG. 19 is a bottom plan view thereof; FIG. 20 is an enlarged partial view thereof at section A in FIG. 11; FIG. 21 is an enlarged partial view thereof at section B in FIG. 11; and, FIG. 22 is an enlarged partial view thereof at section C in FIG. 1. The broken line showing is for the purpose of illustrating environmental structure only and forms no part of the claimed design.

1 Claim, 18 Drawing Sheets



(56)

References Cited

U.S. PATENT DOCUMENTS

D698,743 S * 2/2014 Hon et al. D13/180
8,716,732 B2 * 5/2014 Kamiya et al. 257/98
D718,259 S * 11/2014 Chen et al. D13/180
D721,663 S * 1/2015 Chen et al. D13/180

2003/0107053 A1 * 6/2003 Uemura et al. 257/200
2008/0210972 A1 * 9/2008 Ko et al. 257/99
2011/0121329 A1 * 5/2011 Chen et al. 257/91
2014/0077252 A1 * 3/2014 Lim et al. 257/99
2014/0225143 A1 * 8/2014 Kususe et al. 257/98

* cited by examiner

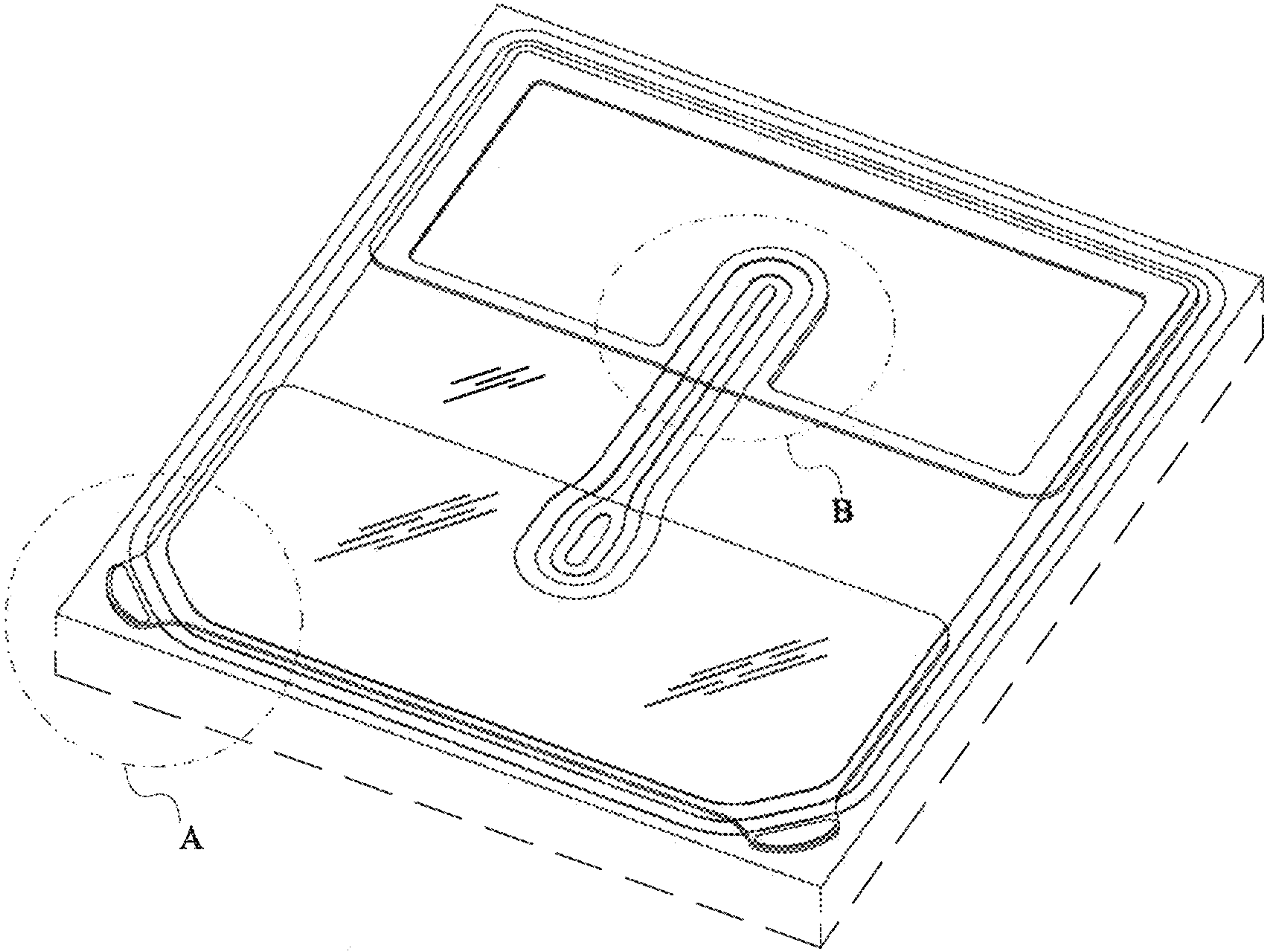


FIG.1

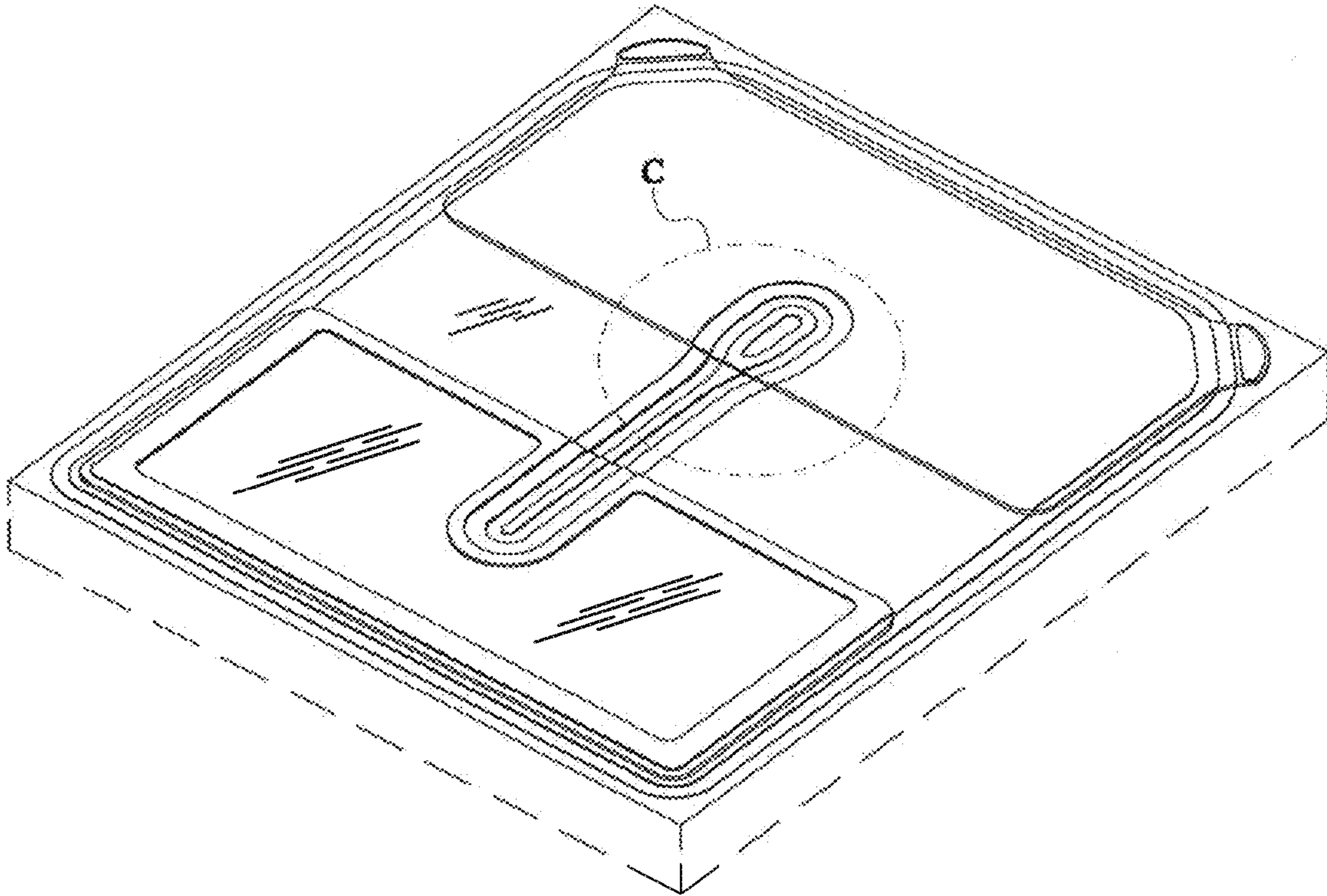


FIG.2

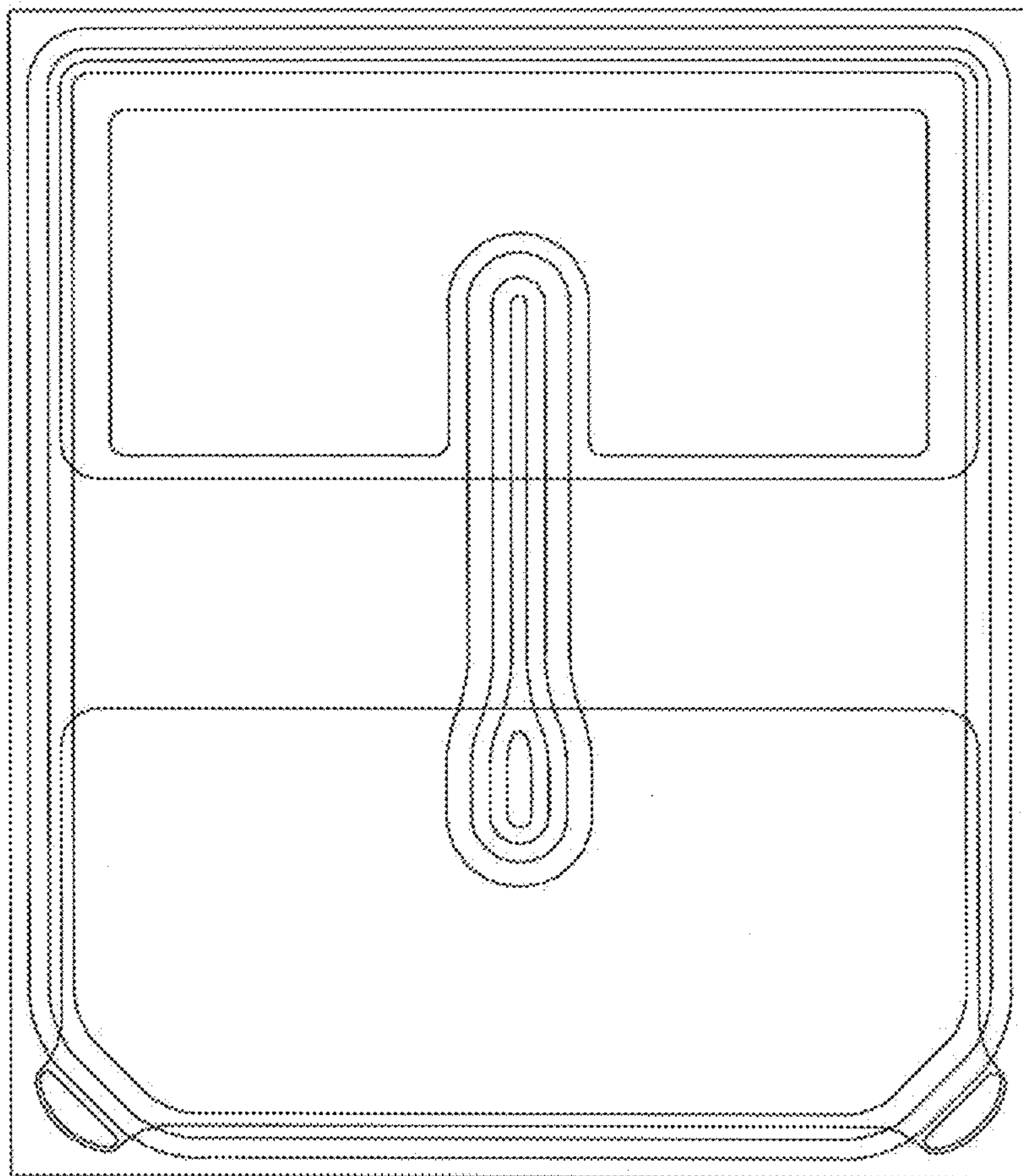


FIG.3

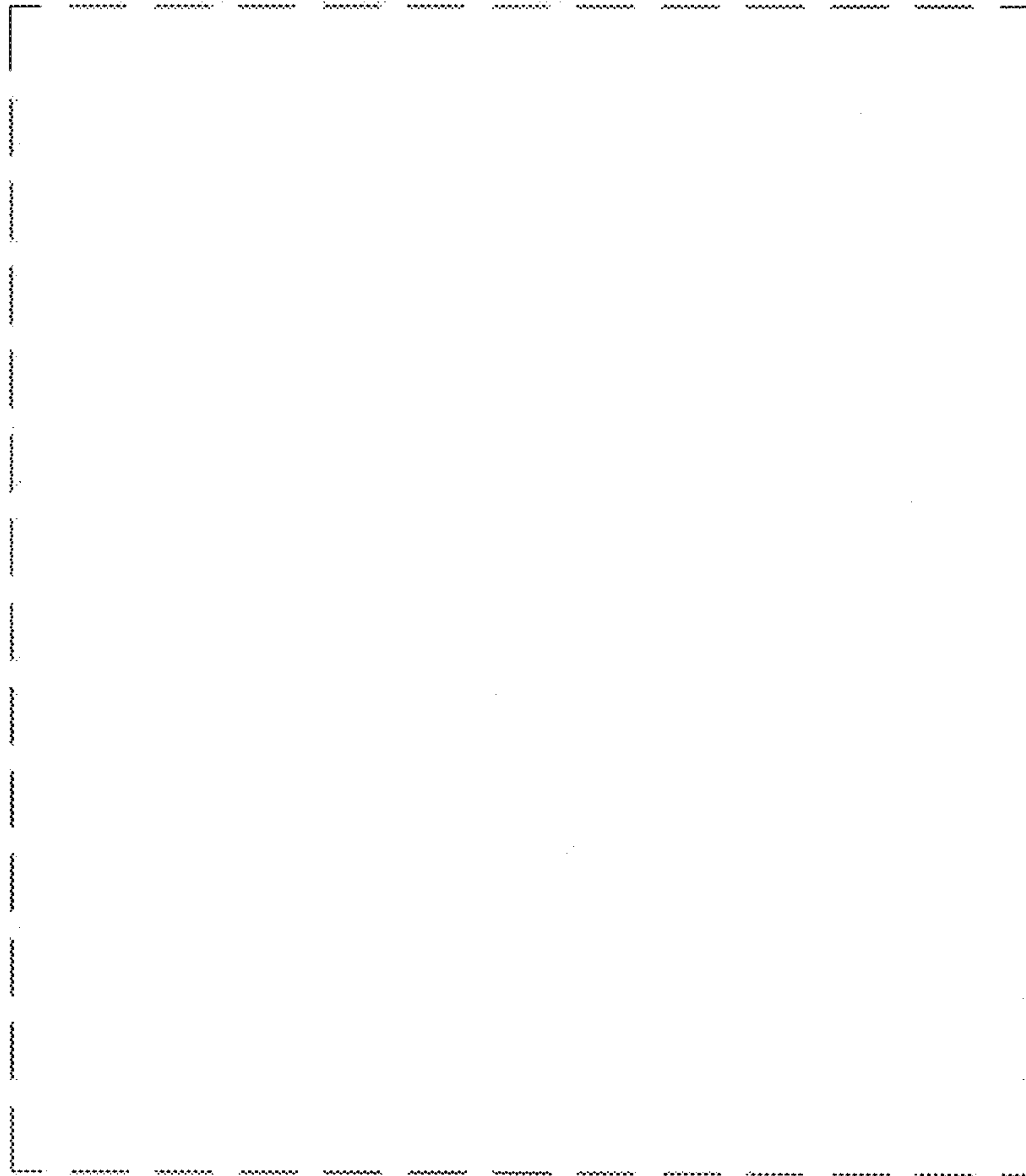


FIG.4

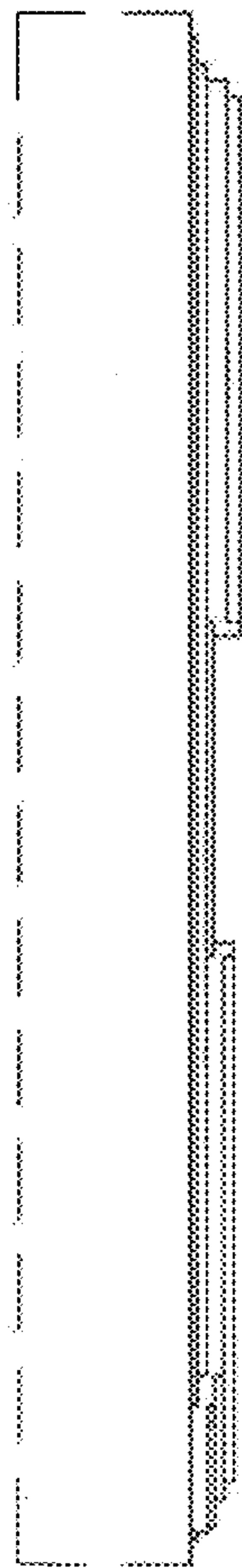


FIG. 5

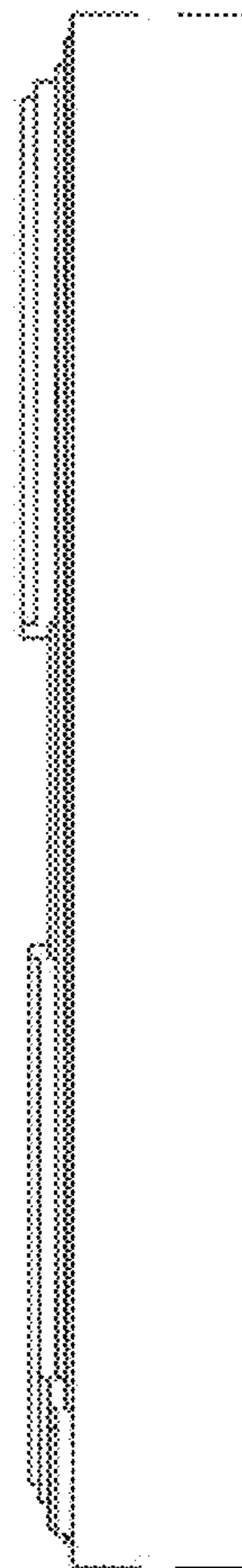


FIG. 6

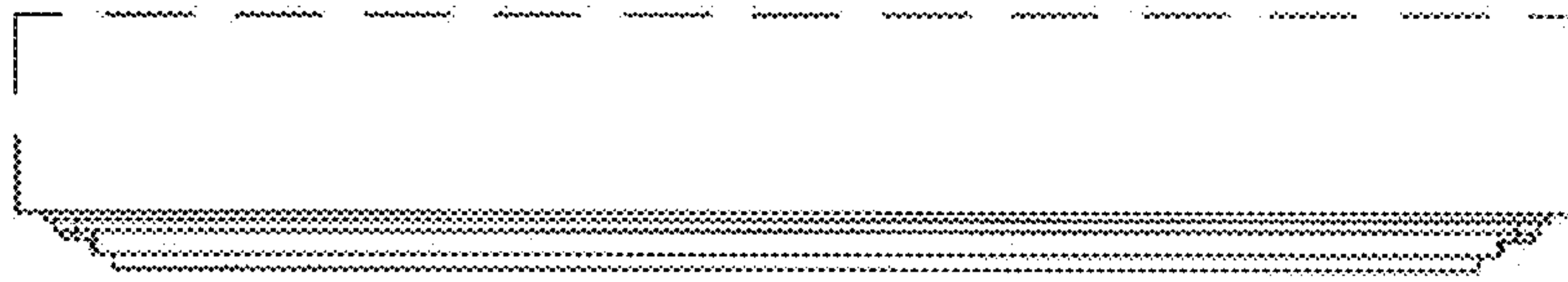


FIG. 7

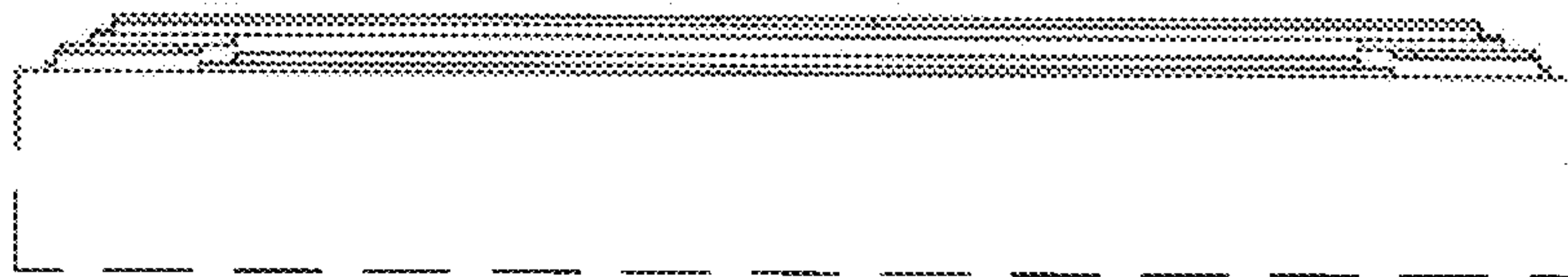


FIG. 8

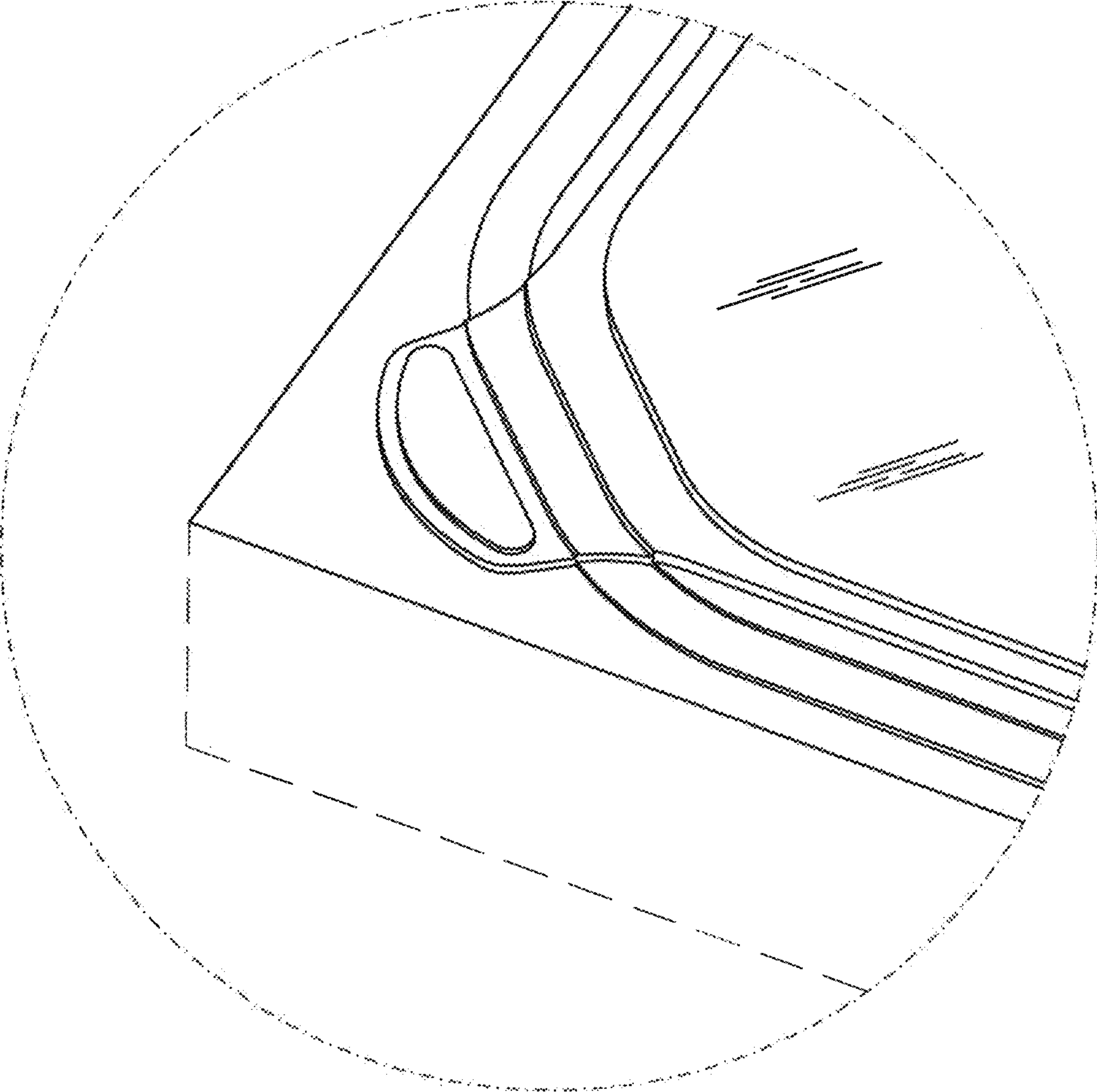


FIG.9

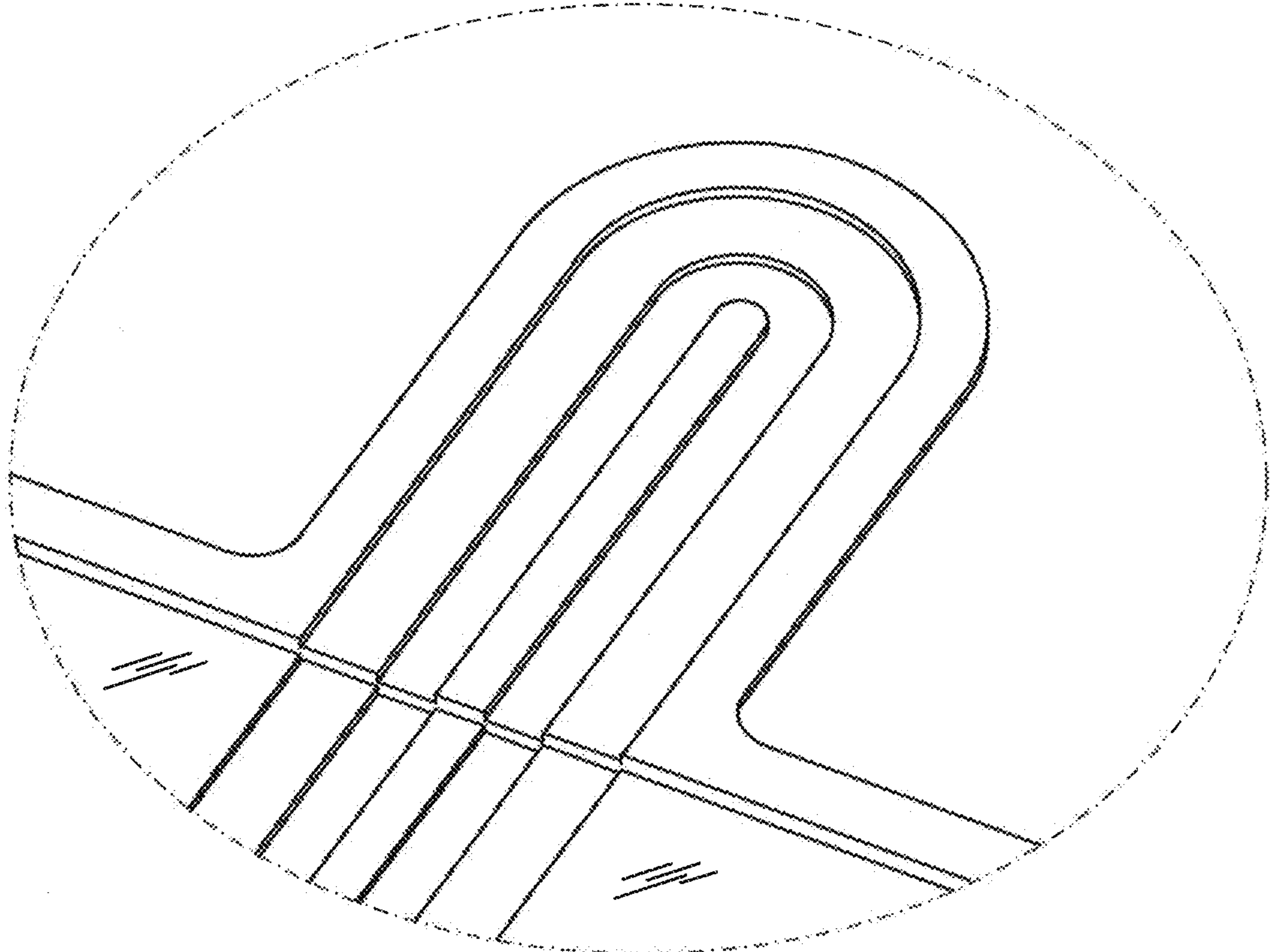


FIG.10

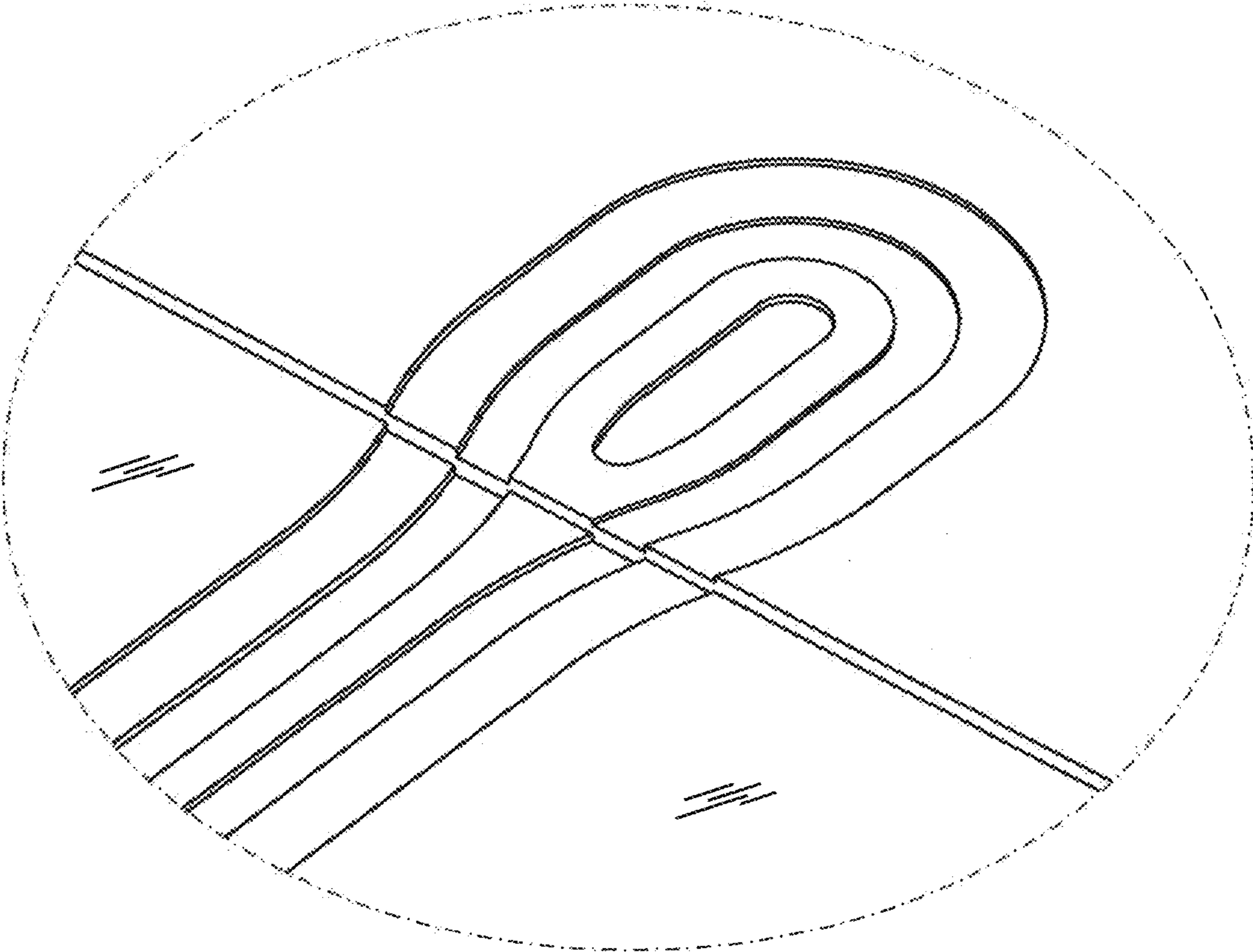


FIG.11

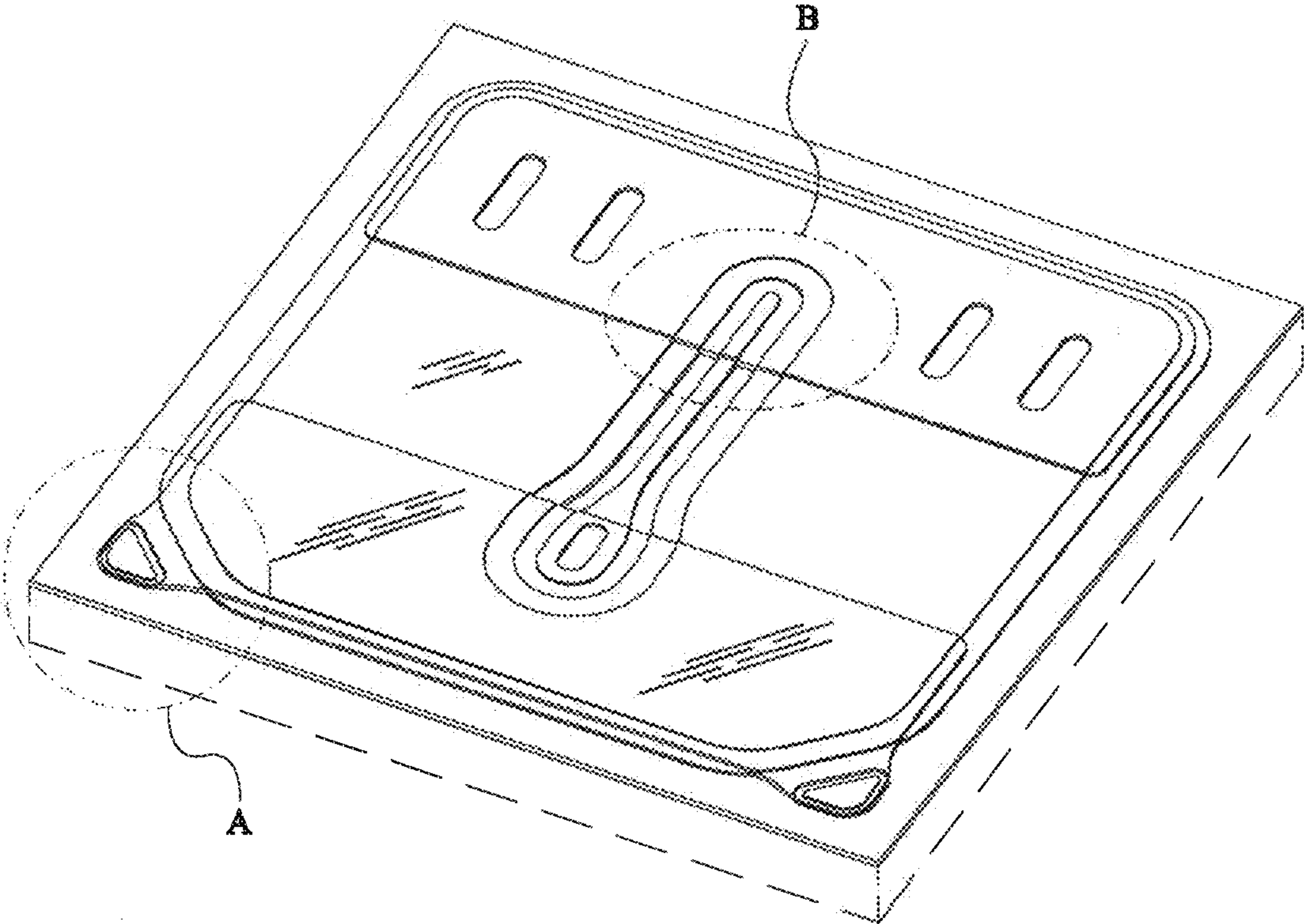


FIG.12

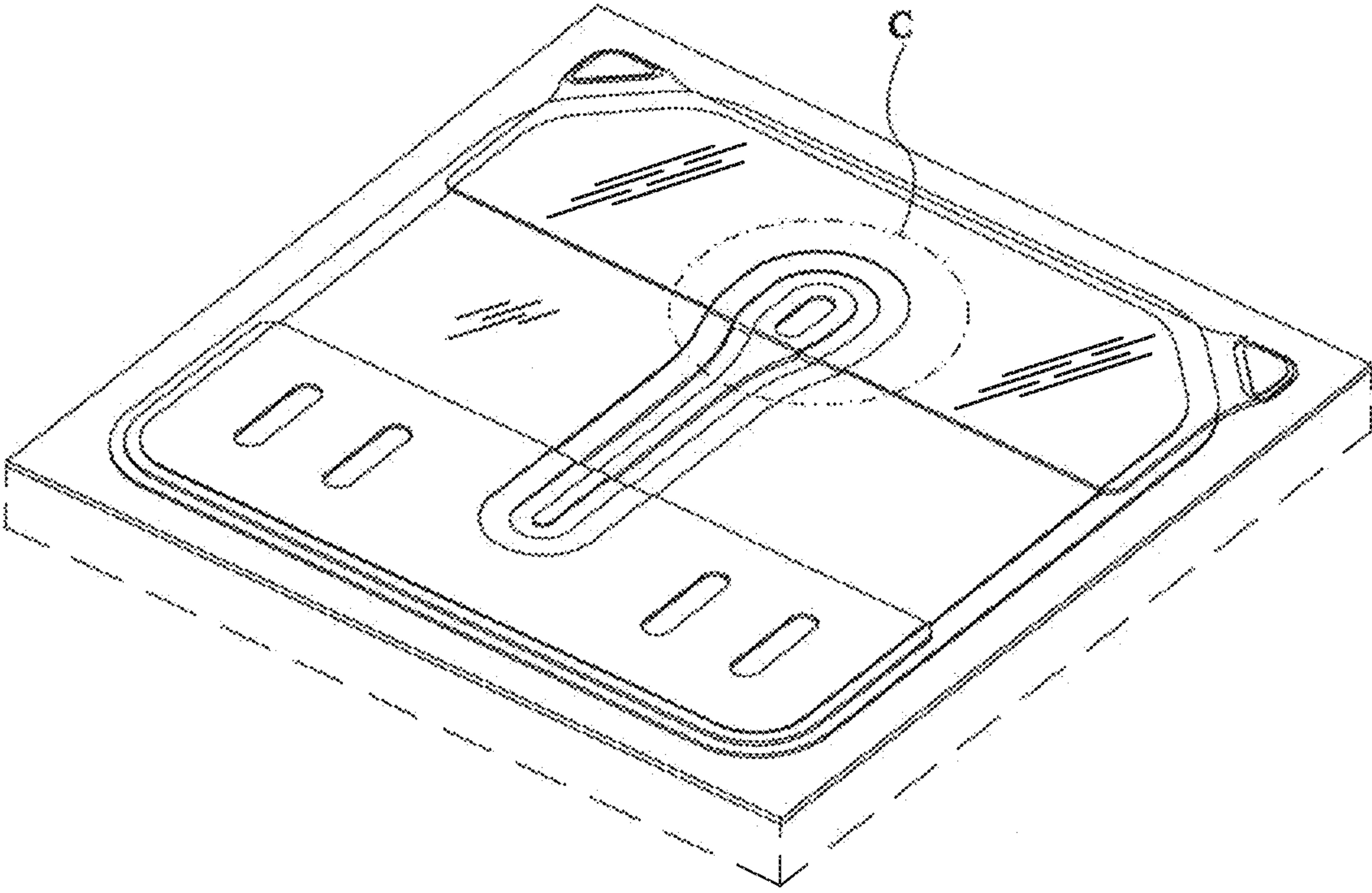


FIG.13

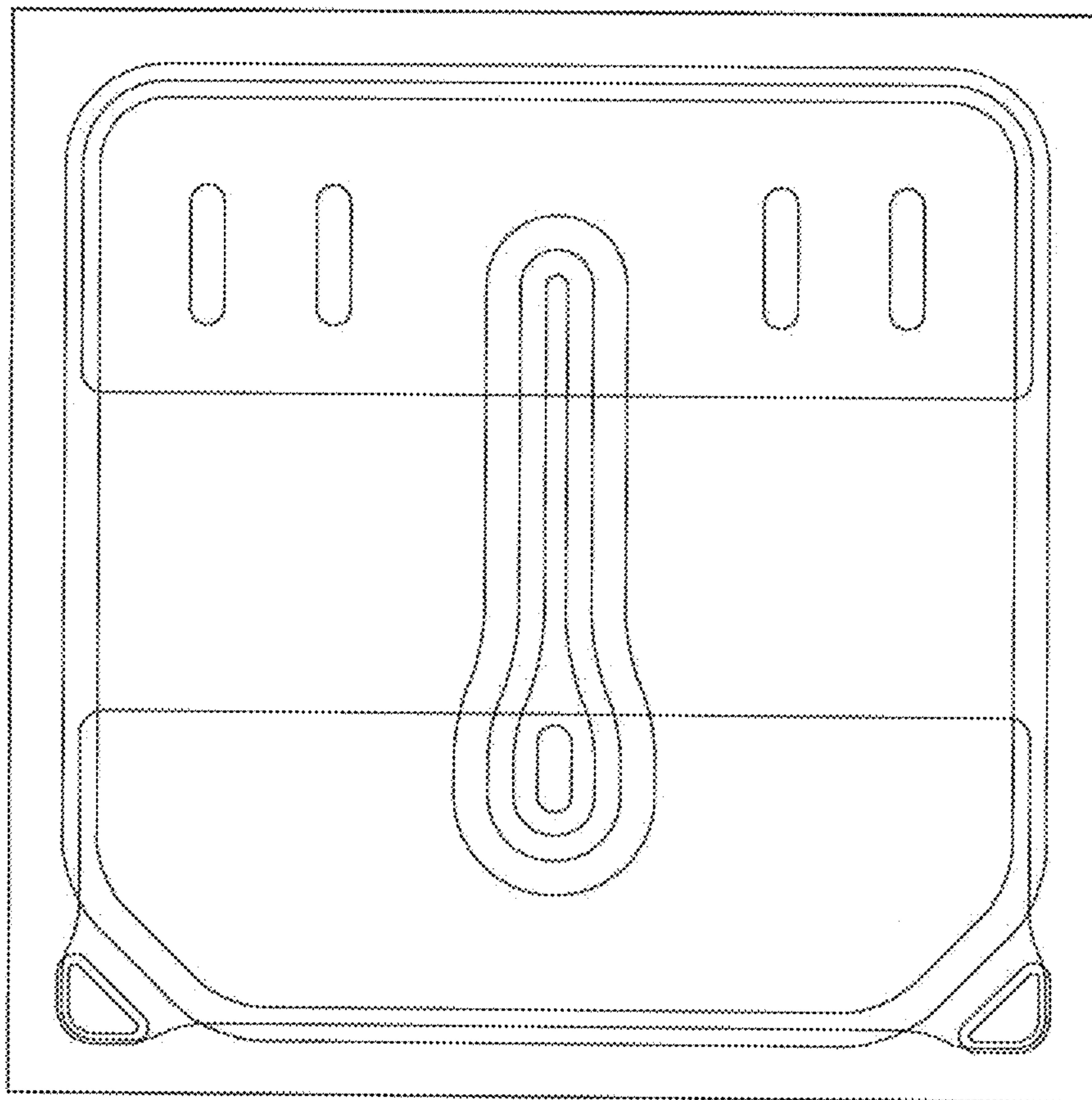


FIG.14

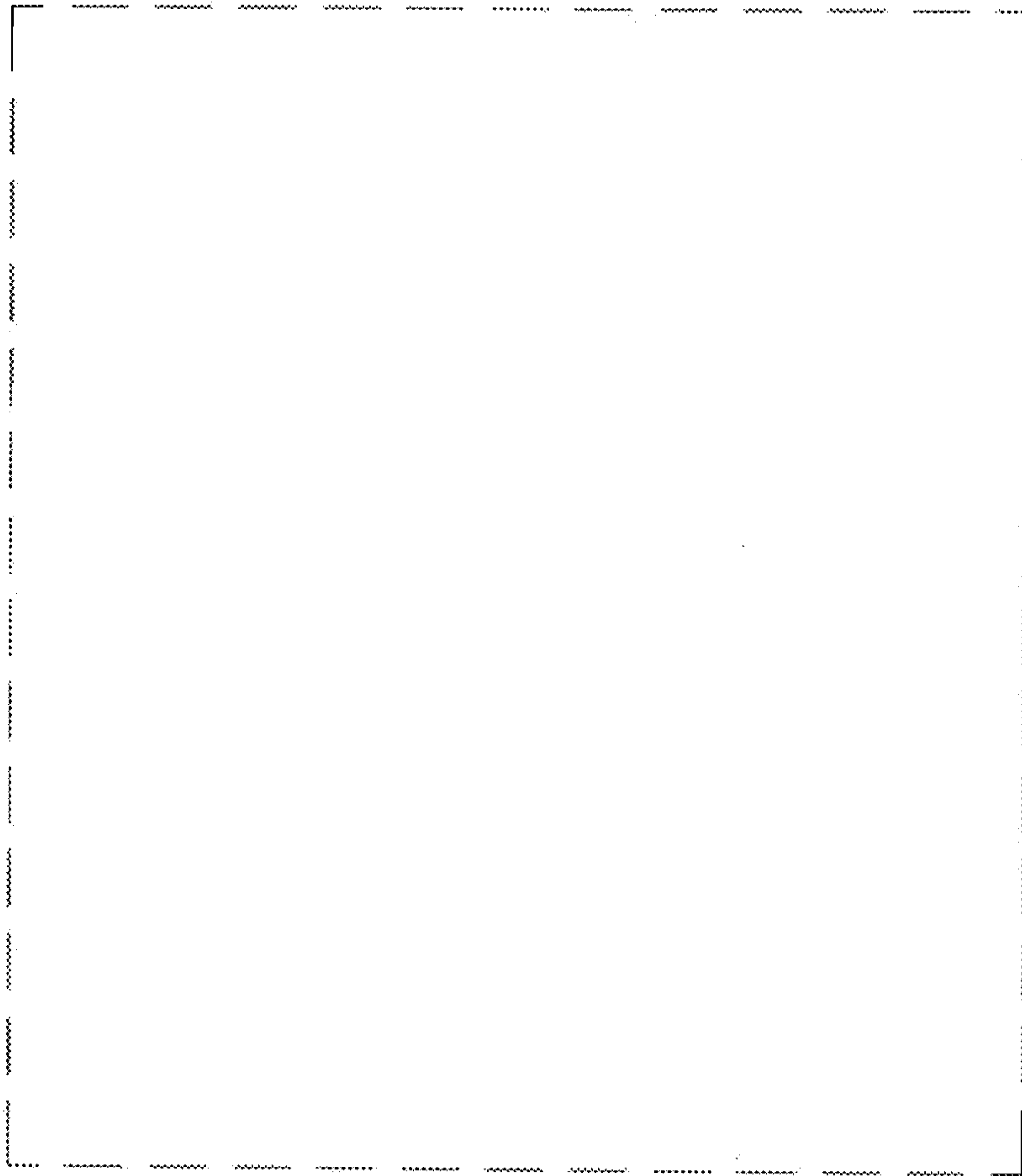


FIG.15

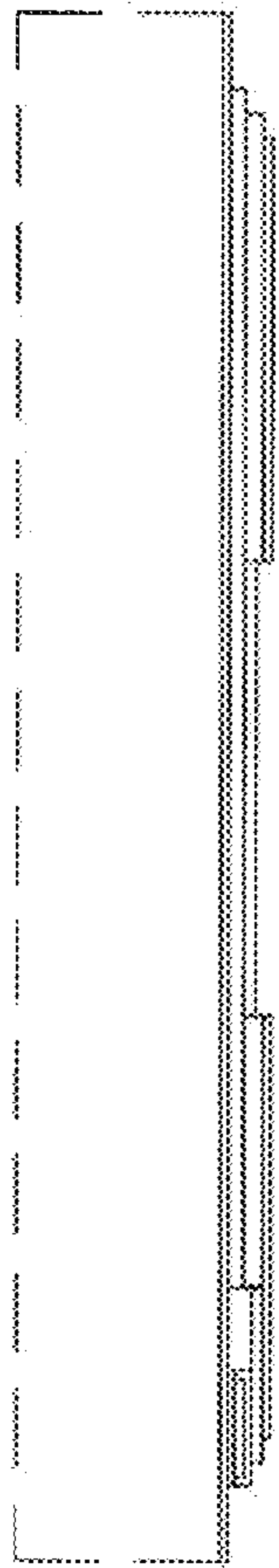


FIG. 16

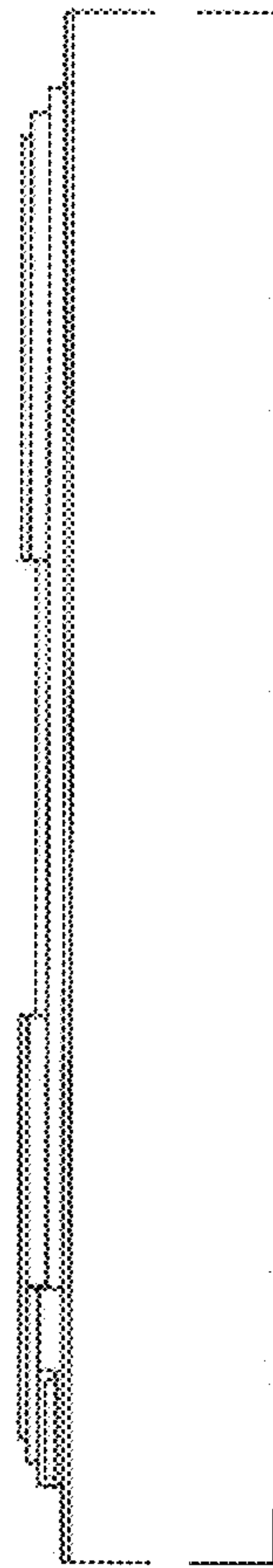


FIG. 17

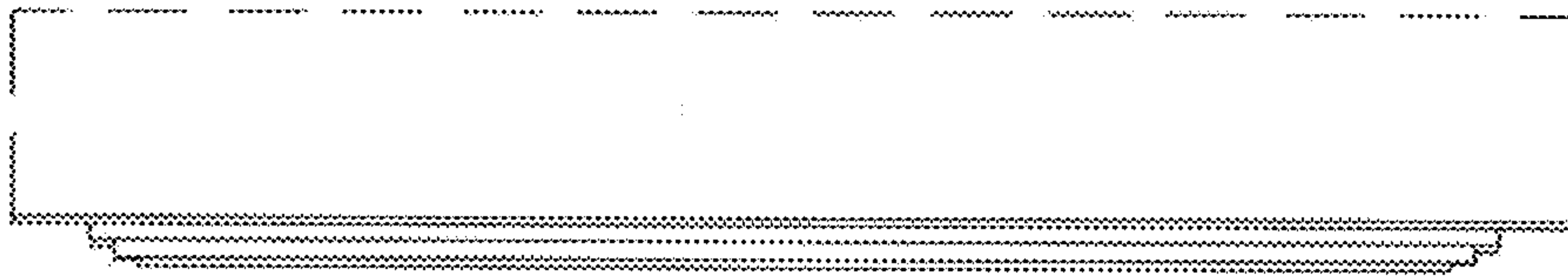


FIG.18

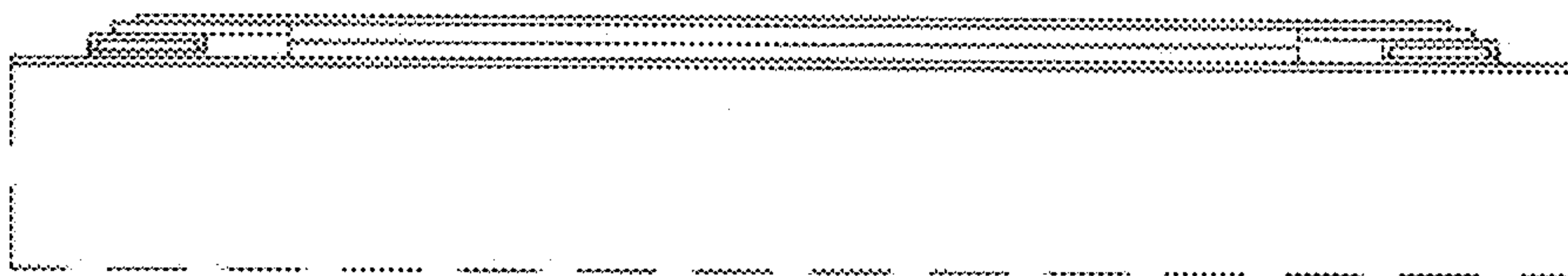


FIG.19

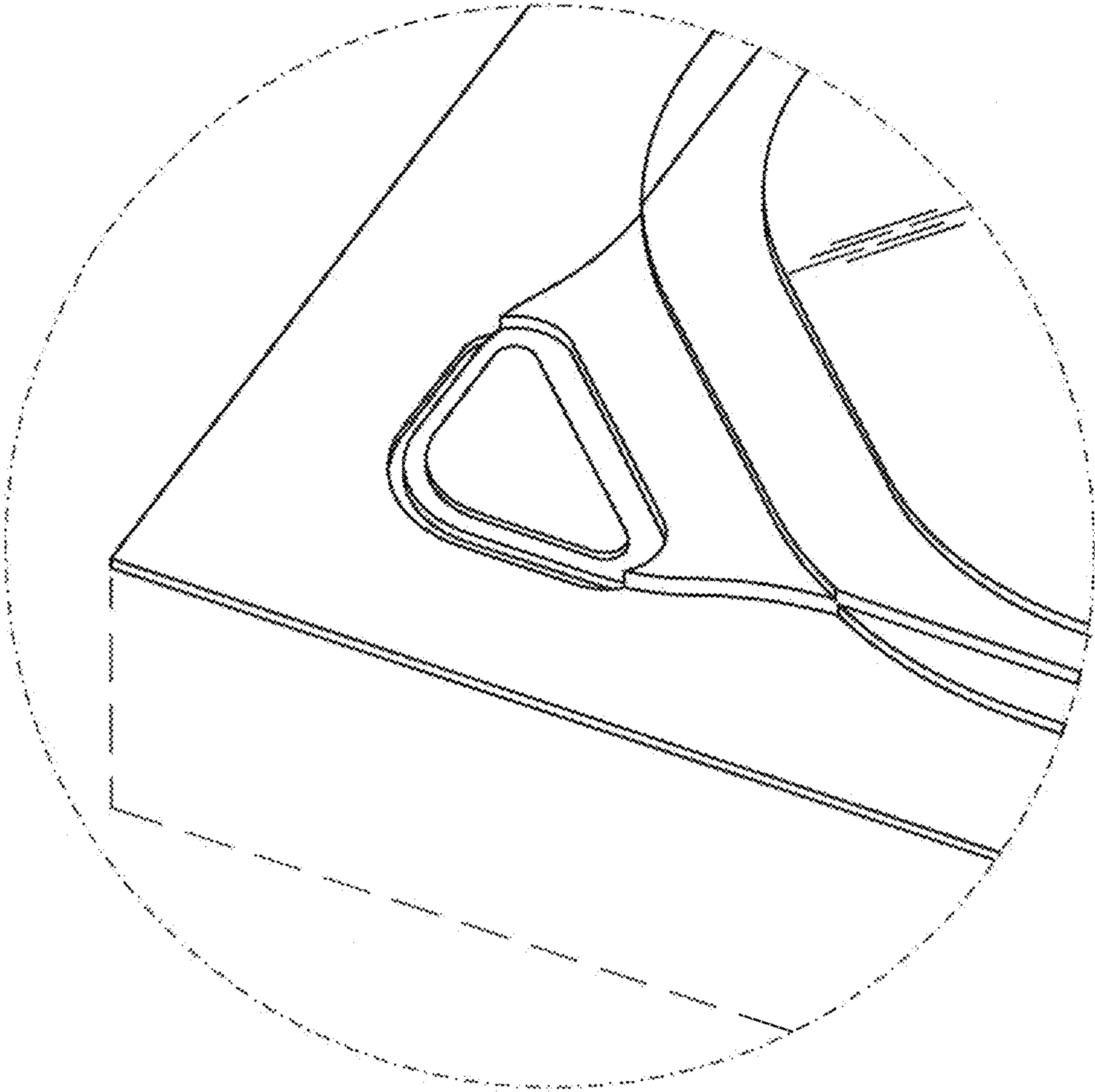


FIG.20

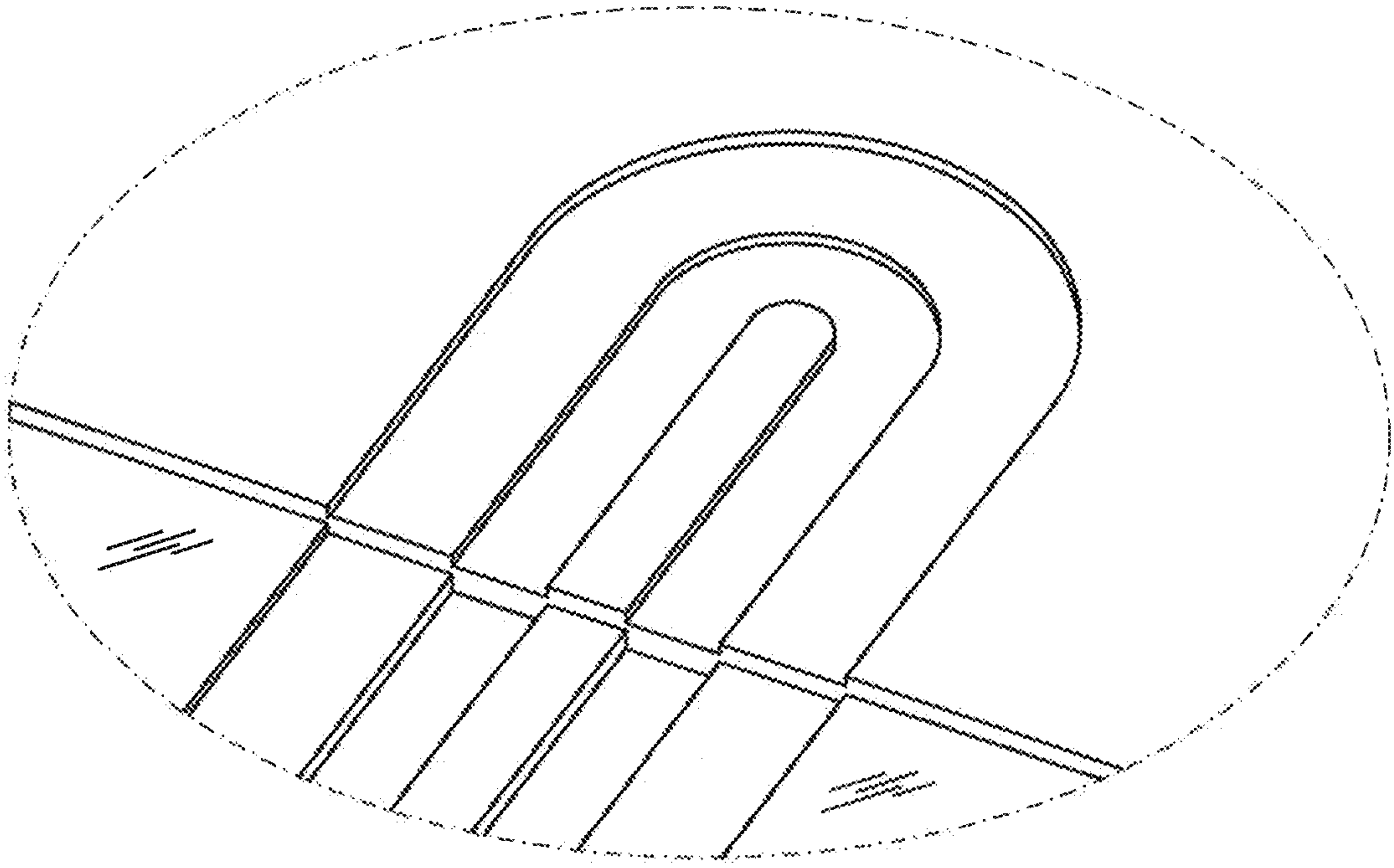


FIG.21

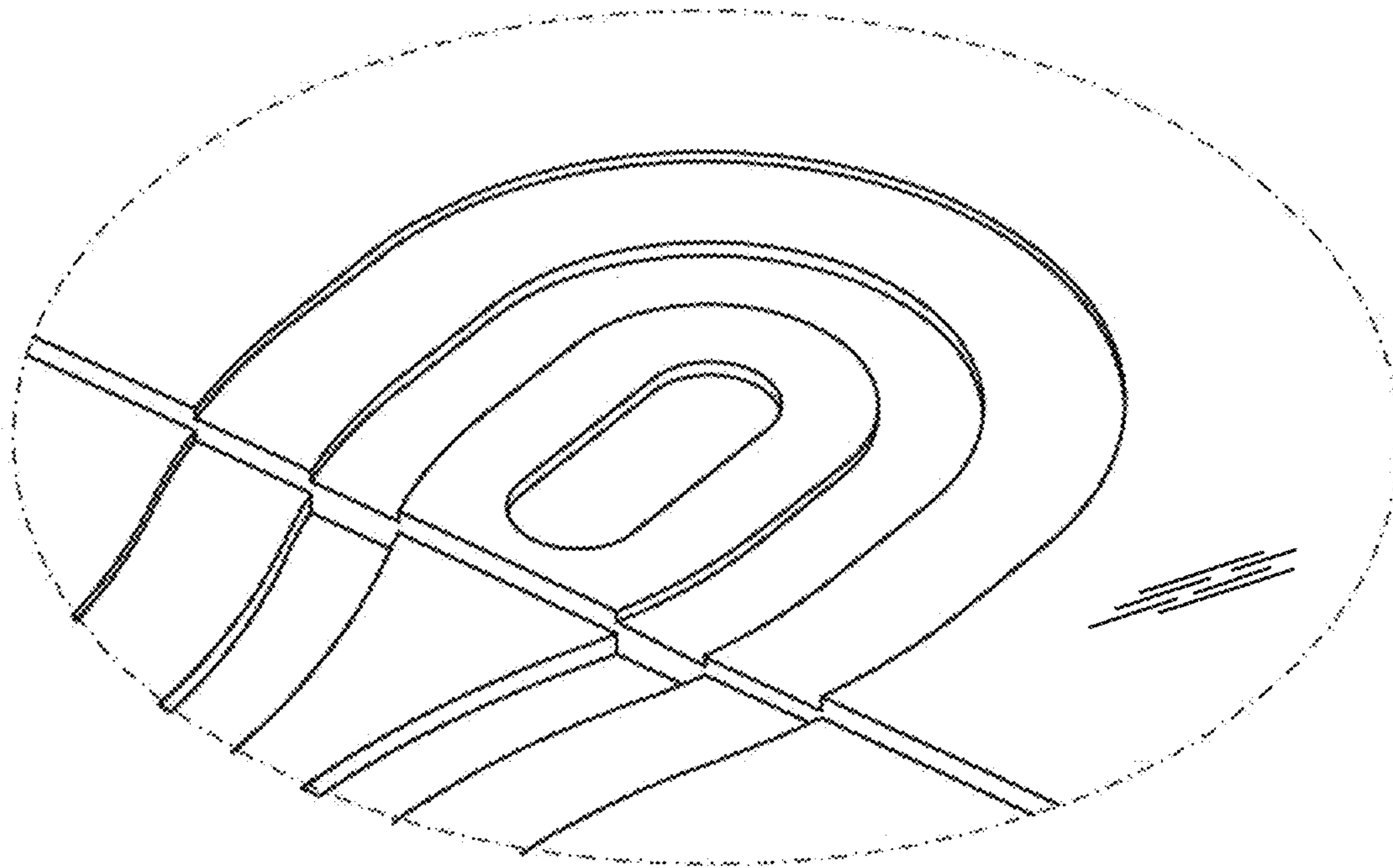


FIG.22