



US00D733078S

(12) **United States Design Patent**  
**Wu**

(10) **Patent No.:** **US D733,078 S**  
(45) **Date of Patent:** **\*\* Jun. 30, 2015**

- (54) **EMBEDDED CONTROLLER**
- (71) Applicant: **TIMOTION TECHNOLOGY CO., LTD.**, New Taipei (TW)
- (72) Inventor: **Chou-Hsin Wu**, New Taipei (TW)
- (73) Assignee: **TIMOTION TECHNOLOGY CO., LTD.**, New Taipei (TW)
- (\*\*) Term: **14 Years**
- (21) Appl. No.: **29/482,369**
- (22) Filed: **Feb. 18, 2014**
- (51) **LOC (10) Cl.** ..... **13-03**
- (52) **U.S. Cl.**  
USPC ..... **D13/174; D13/171**
- (58) **Field of Classification Search**  
USPC ..... **D13/171, 173, 174**  
CPC ..... **H01H 3/022; H01H 3/12; H01H 3/122;**  
**H01H 9/0235; H01H 13/023; H01H 13/04;**  
**H01H 13/14; H01H 13/86; H01H 21/24;**  
**H01H 25/065; A47C 1/0345; A47C 1/035;**  
**A47C 7/506**  
See application file for complete search history.

D692,401 S *	10/2013	Li et al.	.....	D13/174
D707,640 S *	6/2014	Li et al.	.....	D13/174
8,766,115 B2 *	7/2014	Kristen	.....	200/5 A
D714,229 S *	9/2014	Wenji et al.	.....	D13/171
D720,305 S *	12/2014	Wenji	.....	D13/174
2011/0198894 A1 *	8/2011	Hsieh et al.	.....	297/68
2014/0353134 A1 *	12/2014	Muller	.....	200/5 A

\* cited by examiner

*Primary Examiner* — Selina Sikder

(74) *Attorney, Agent, or Firm* — Chun-Ming Shih; HDLS IPR Services

(57) **CLAIM**

The ornamental design for an embedded controller, as shown and described.

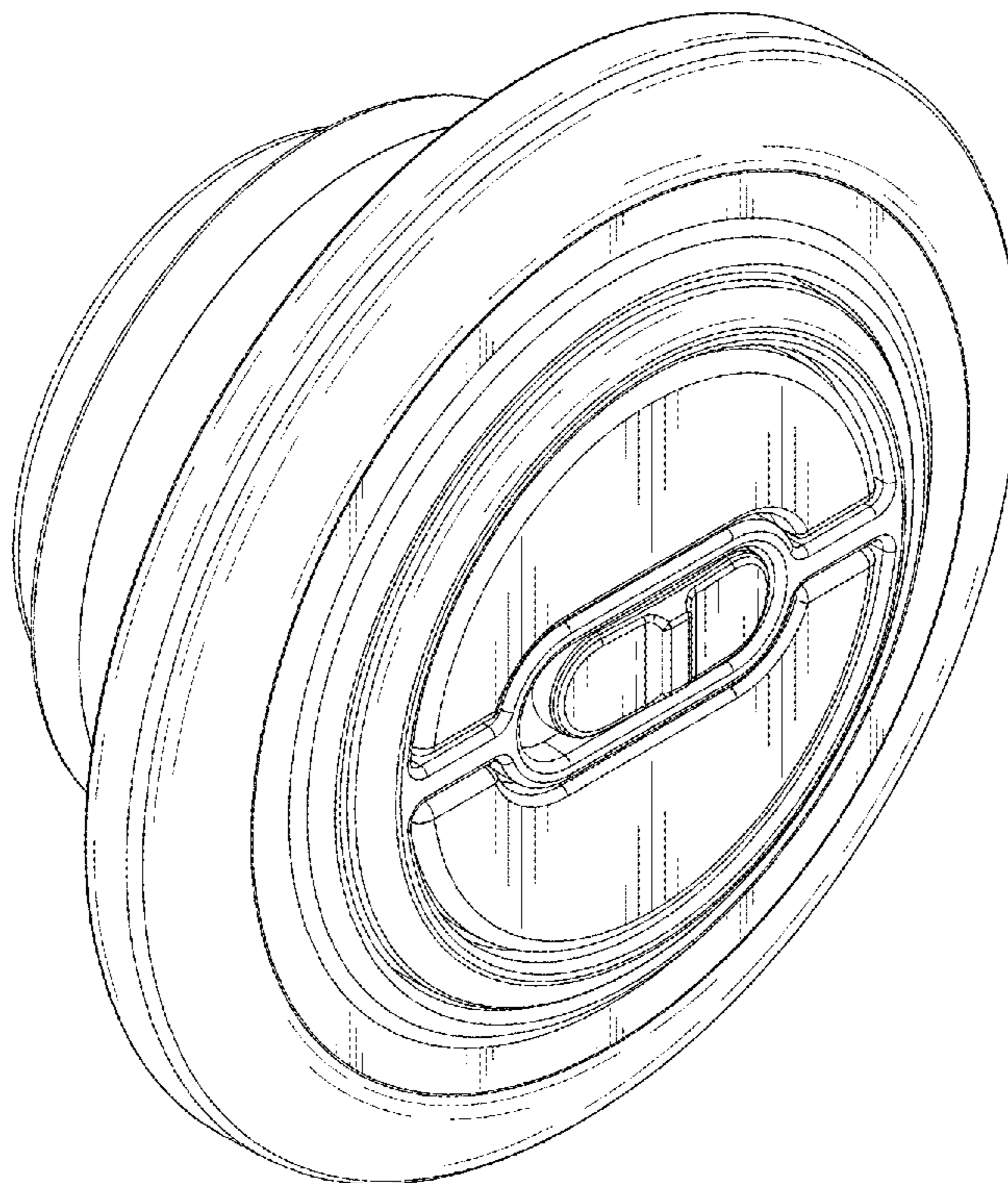
**DESCRIPTION**

FIG. 1 is a perspective view of an embedded controller showing my new design;  
FIG. 2 is a front view thereof;  
FIG. 3 is a rear view thereof;  
FIG. 4 is a left side view thereof;  
FIG. 5 is a right side view thereof;  
FIG. 6 is a top view thereof;  
FIG. 7 is a bottom view thereof; and,  
FIG. 8 is the other perspective view showing the embedded controller.

The broken lines shown represent unclaimed subject matter and form no part of the claimed design.

**1 Claim, 6 Drawing Sheets**

- (56) **References Cited**  
U.S. PATENT DOCUMENTS  
D691,098 S \* 10/2013 Li et al. .... D13/174  
D691,099 S \* 10/2013 Li et al. .... D13/174  
D691,971 S \* 10/2013 Li et al. .... D13/174



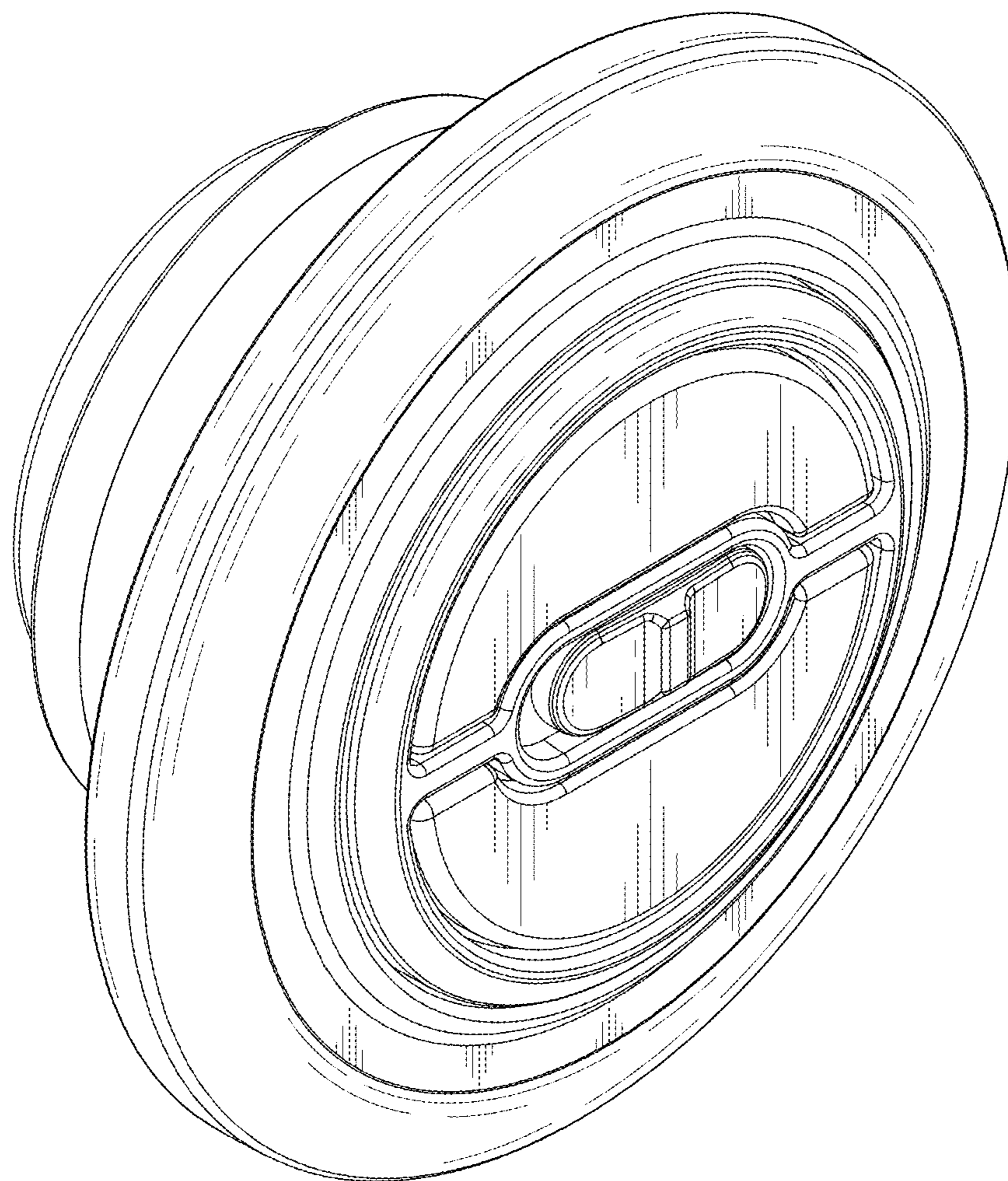


FIG.1

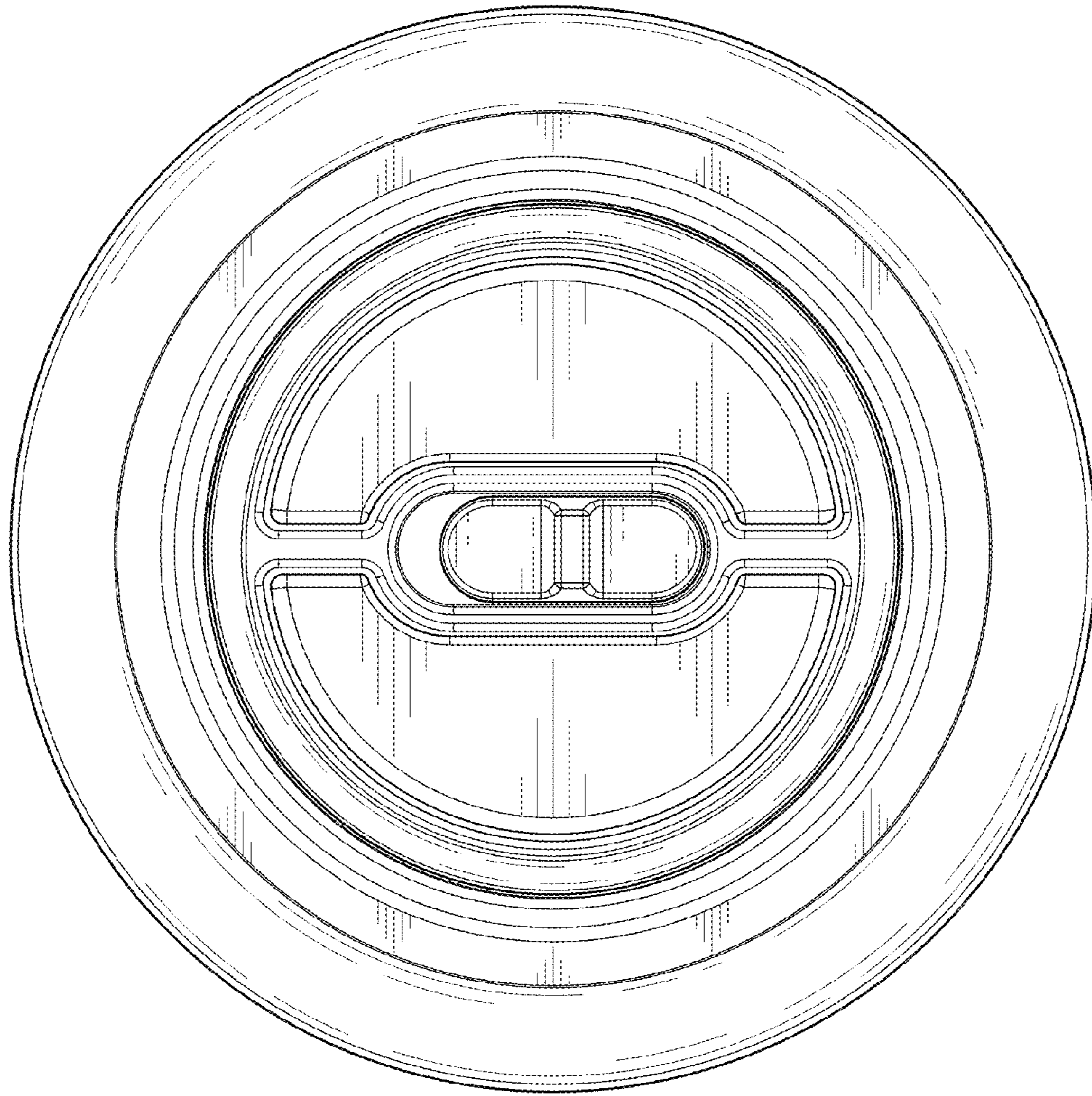


FIG.2

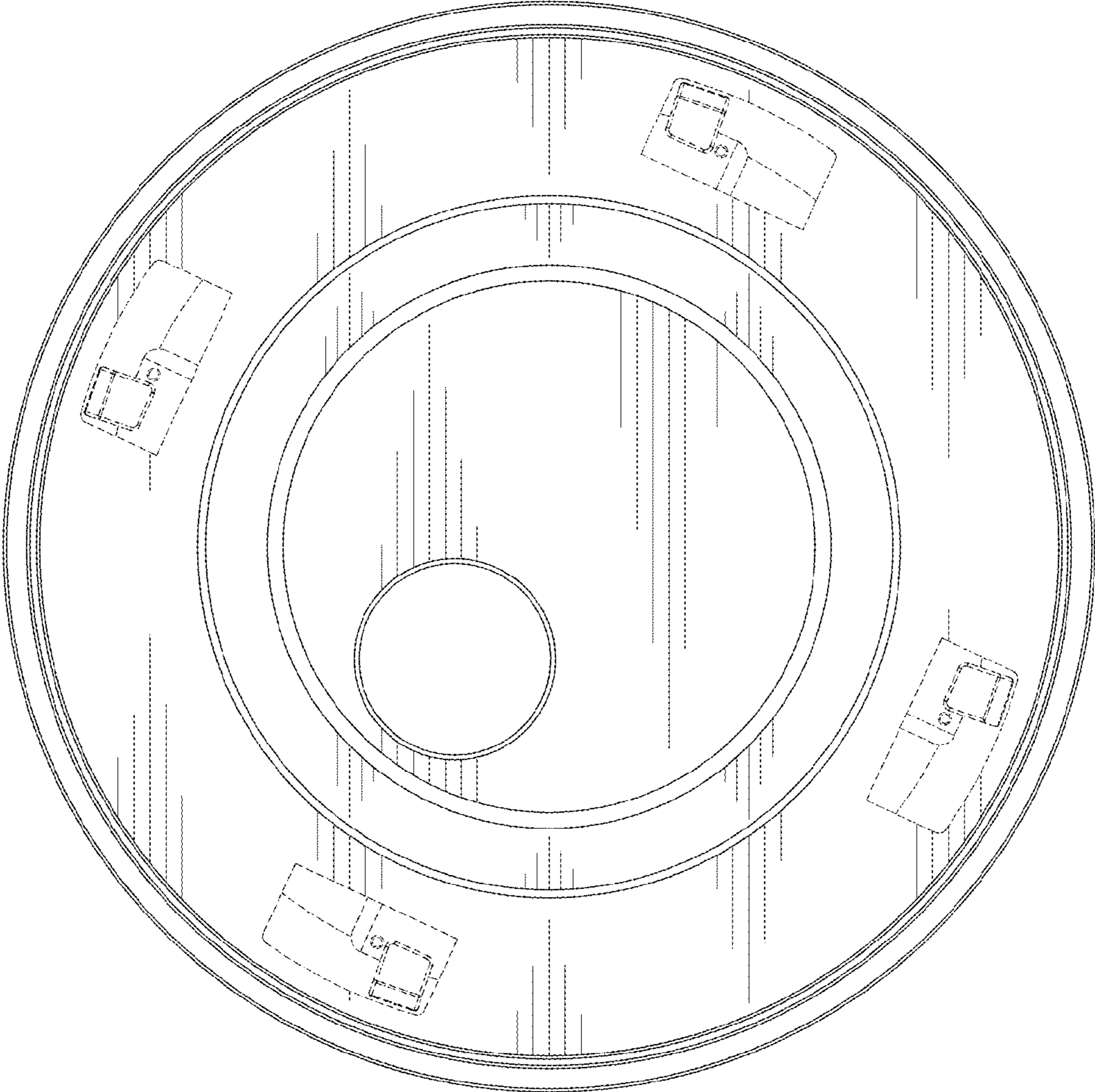


FIG.3

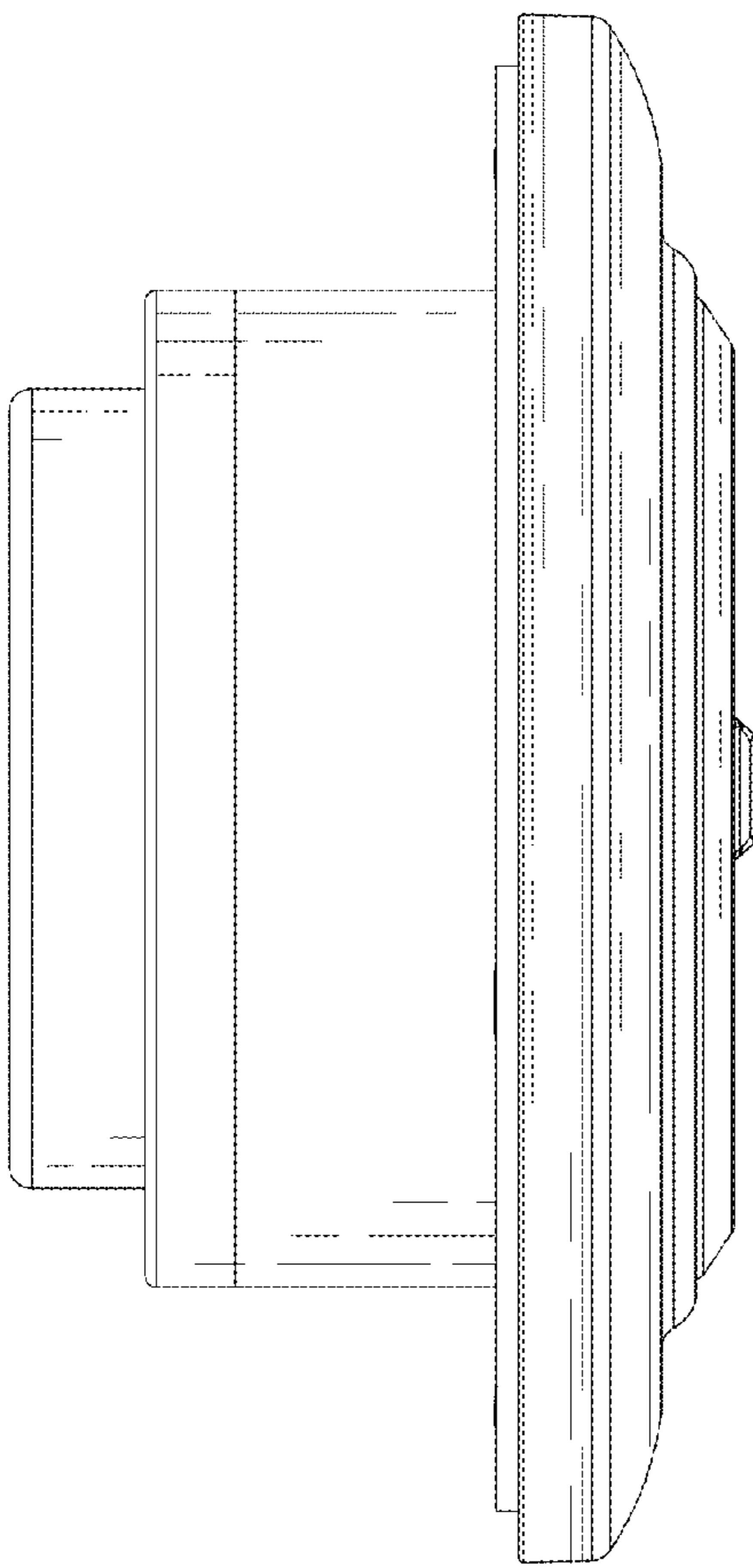


FIG.4

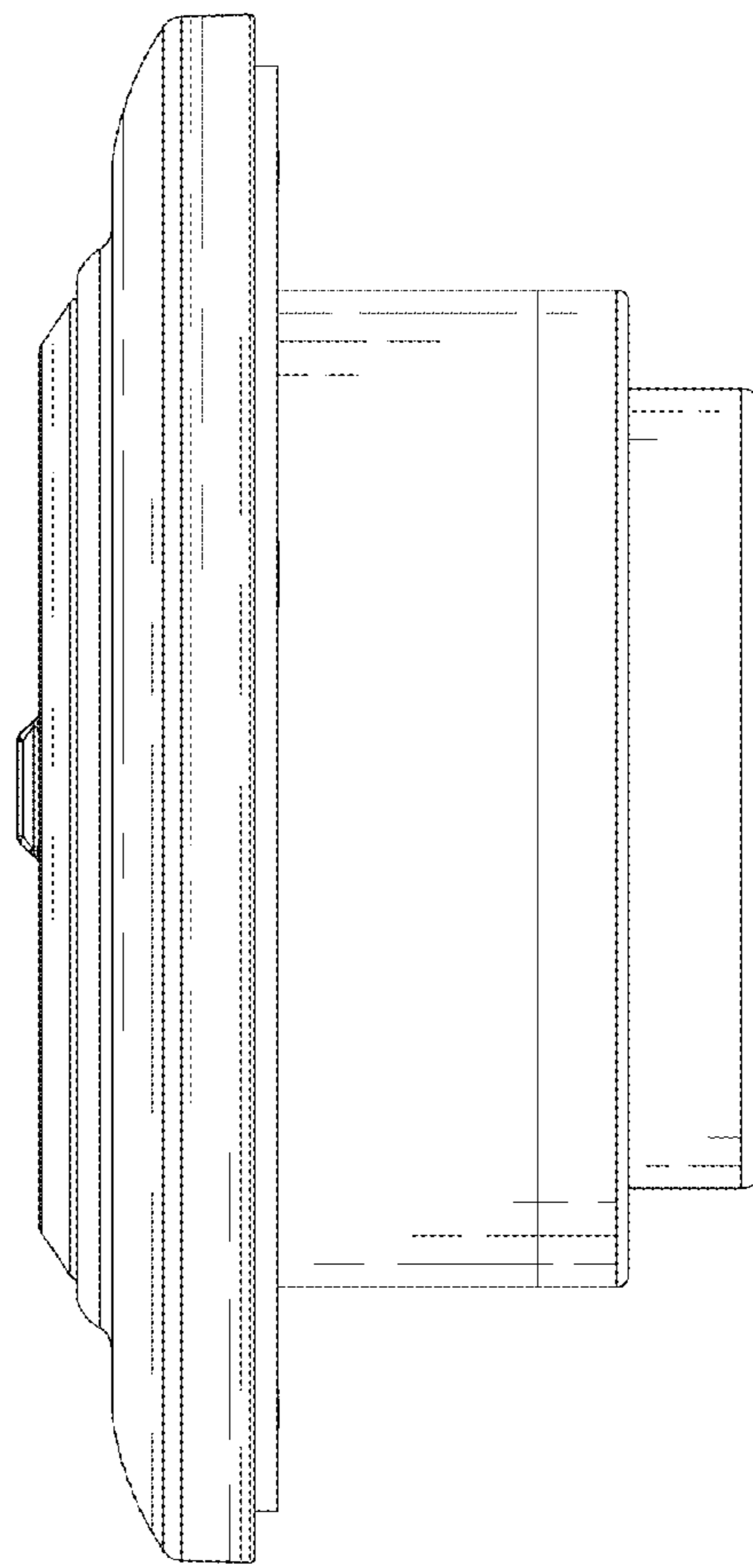


FIG.5

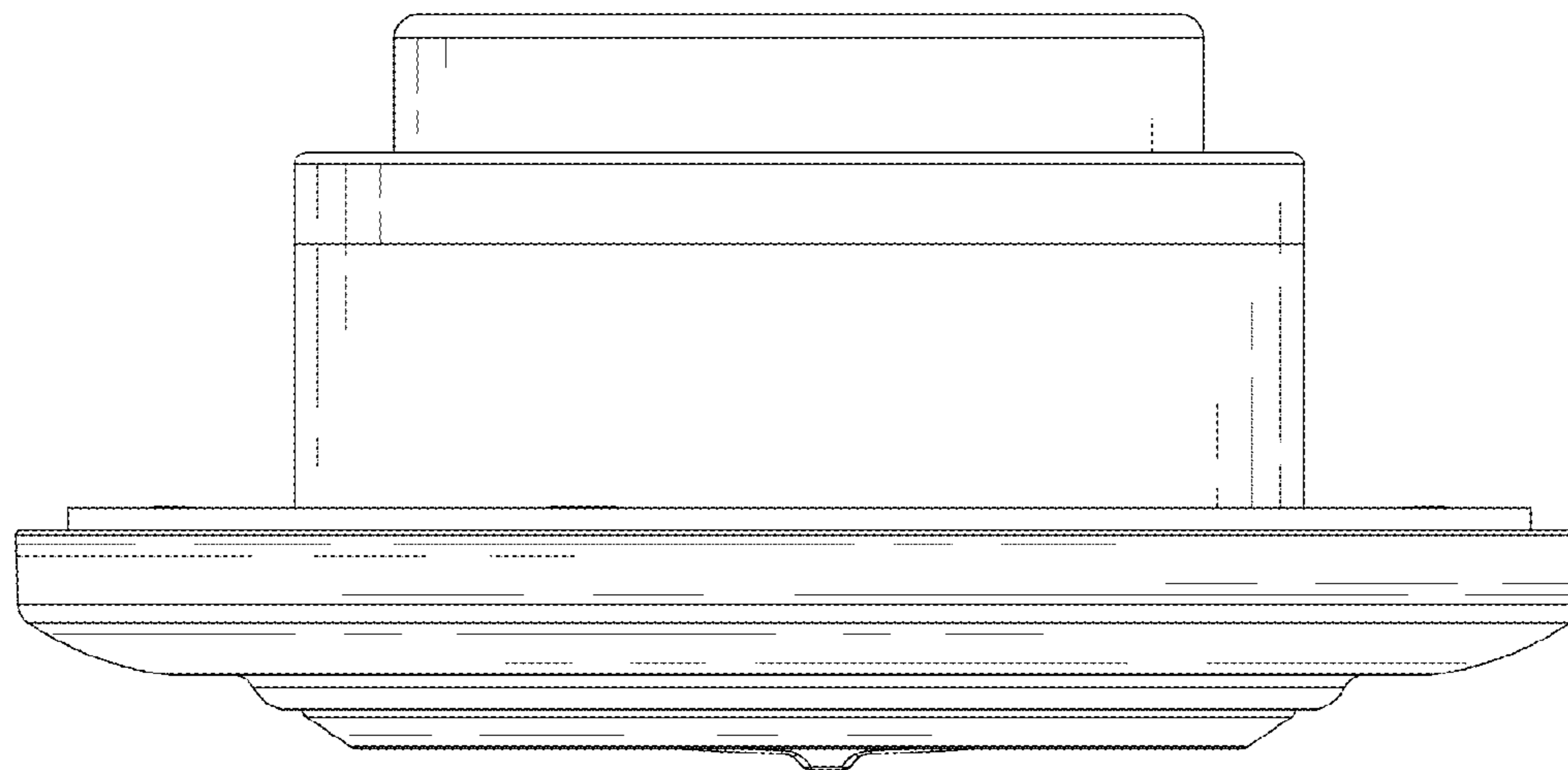


FIG. 6

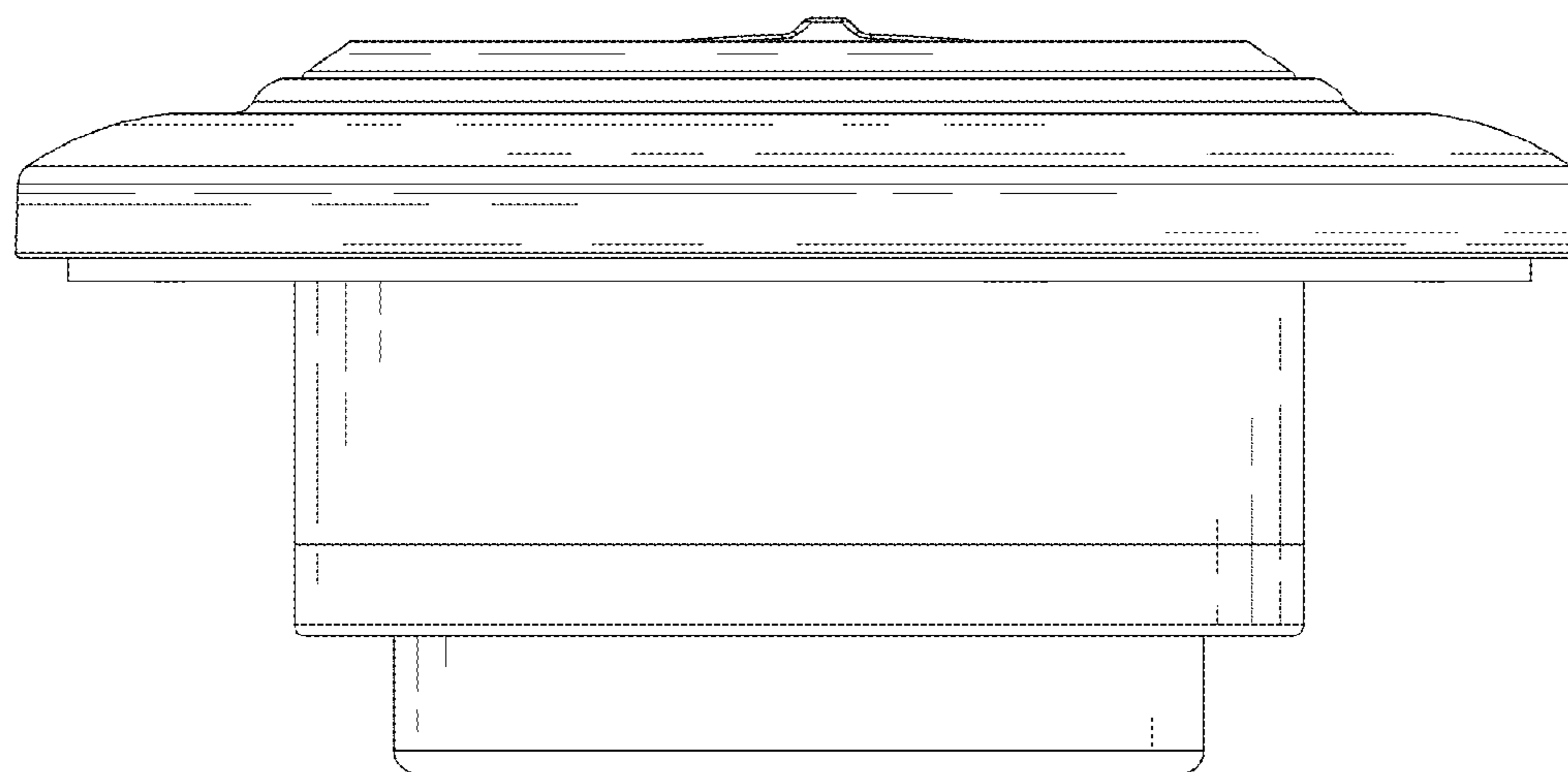


FIG. 7

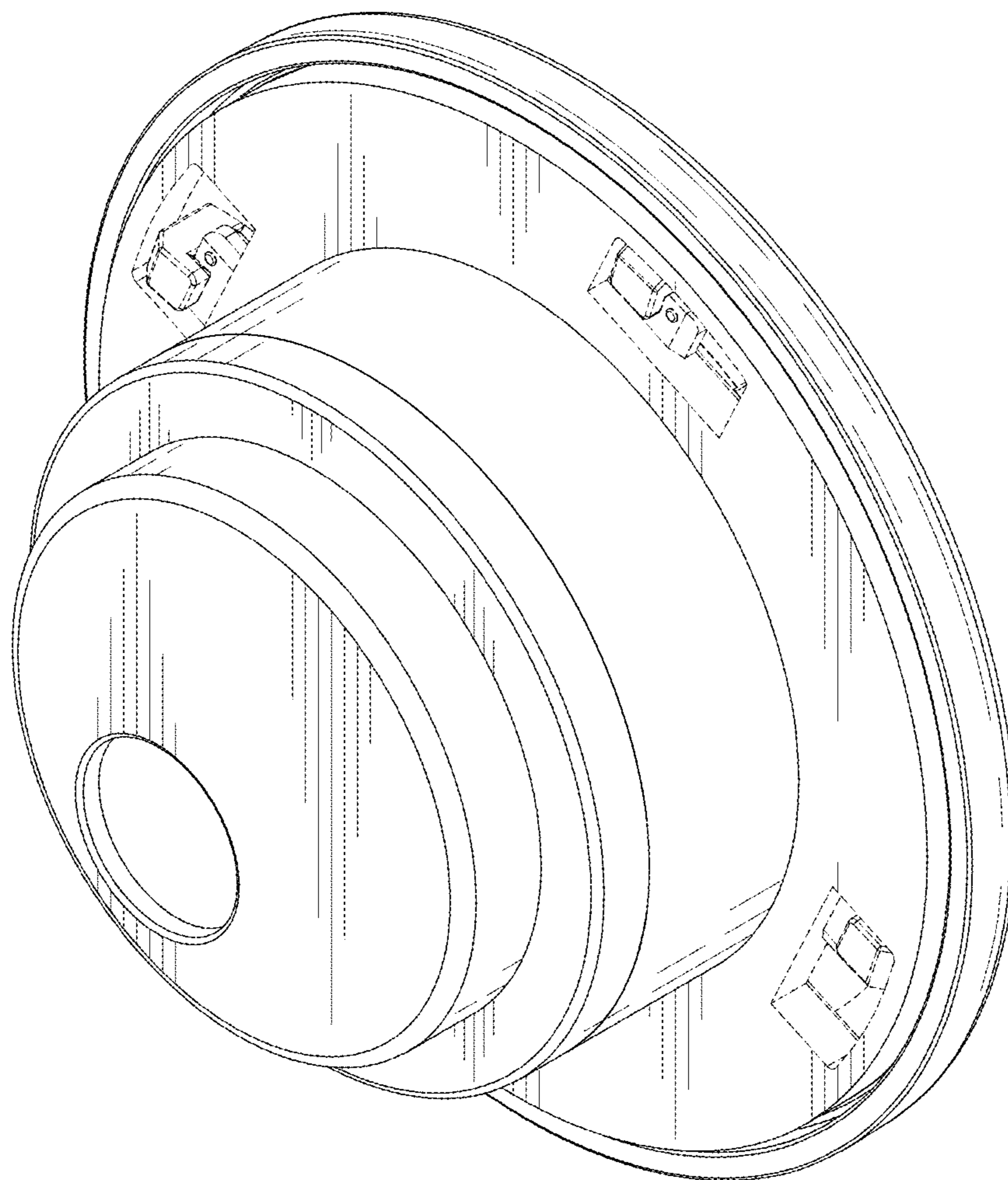


FIG.8