



US00D733067S

(12) **United States Design Patent**
Dendas et al.

(10) **Patent No.:** **US D733,067 S**
(45) **Date of Patent:** **** Jun. 30, 2015**

(54) **CABLE SPLITTER HOUSING**

(56) **References Cited**

(71) Applicant: **TE CONNECTIVITY NEDERLAND B.V.**, AR's Hertogenbosch (NE)

U.S. PATENT DOCUMENTS

(72) Inventors: **Freddy Jean Philip Dendas**, Genk (BE); **Marc Jansen**, Steensel (NL); **Dennis Spaan**, Oss (NL)

D210,021	S	*	1/1968	Prifogle et al.	D13/154
4,262,167	A	*	4/1981	Bossard et al.	174/92
D274,453	S	*	6/1984	Hayes	D23/262
D326,845	S	*	6/1992	Katz et al.	D13/160
D361,751	S	*	8/1995	Geis	D13/154
D412,885	S	*	8/1999	Toly	D13/154
D432,092	S	*	10/2000	Stebleton et al.	D13/156
D444,452	S	*	7/2001	Smith	D13/154
D446,192	S	*	8/2001	Wallace	D13/178
D495,662	S	*	9/2004	Chawgo	D13/156
D560,610	S	*	1/2008	McCoy	D13/146
D561,111	S	*	2/2008	Howard	D13/154
7,432,445	B2	*	10/2008	Bird et al.	174/92
D595,234	S	*	6/2009	Ishizuka	D13/154
D645,022	S	*	9/2011	Lee et al.	D14/205
D713,357	S	*	9/2014	Wang et al.	D13/156
2014/0153876	A1	*	6/2014	Dendas et al.	385/76

(73) Assignee: **TE Connectivity Nederland B.V.**, 'S-Hertogenbosch (NL)

(**) Term: **14 Years**

(21) Appl. No.: **29/441,928**

(22) Filed: **Jan. 10, 2013**

(30) **Foreign Application Priority Data**

Jul. 11, 2012	(EM)	002072330-001
Jul. 11, 2012	(EM)	002072330-002
Jul. 11, 2012	(EM)	002072330-003
Jul. 11, 2012	(EM)	002072330-004
Jul. 11, 2012	(EM)	002072330-005
Jul. 11, 2012	(EM)	002072330-006
Jul. 11, 2012	(EM)	002072330-007

* cited by examiner

Primary Examiner — Derrick Holland

Assistant Examiner — Jennifer O King

(74) *Attorney, Agent, or Firm* — Faegre Baker Daniels LLP

(57) **CLAIM**

The ornamental design for a cable splitter housing, as shown and described.

DESCRIPTION

FIG. 1 is a first side view of a cable splitter housing; FIG. 2 is a top plan view thereof; FIG. 3 is a second side view thereof; FIG. 4 is an end view thereof; and, FIG. 5 is a perspective view thereof. The broken lines shown represent unclaimed subject matter and form no part of the claimed design.

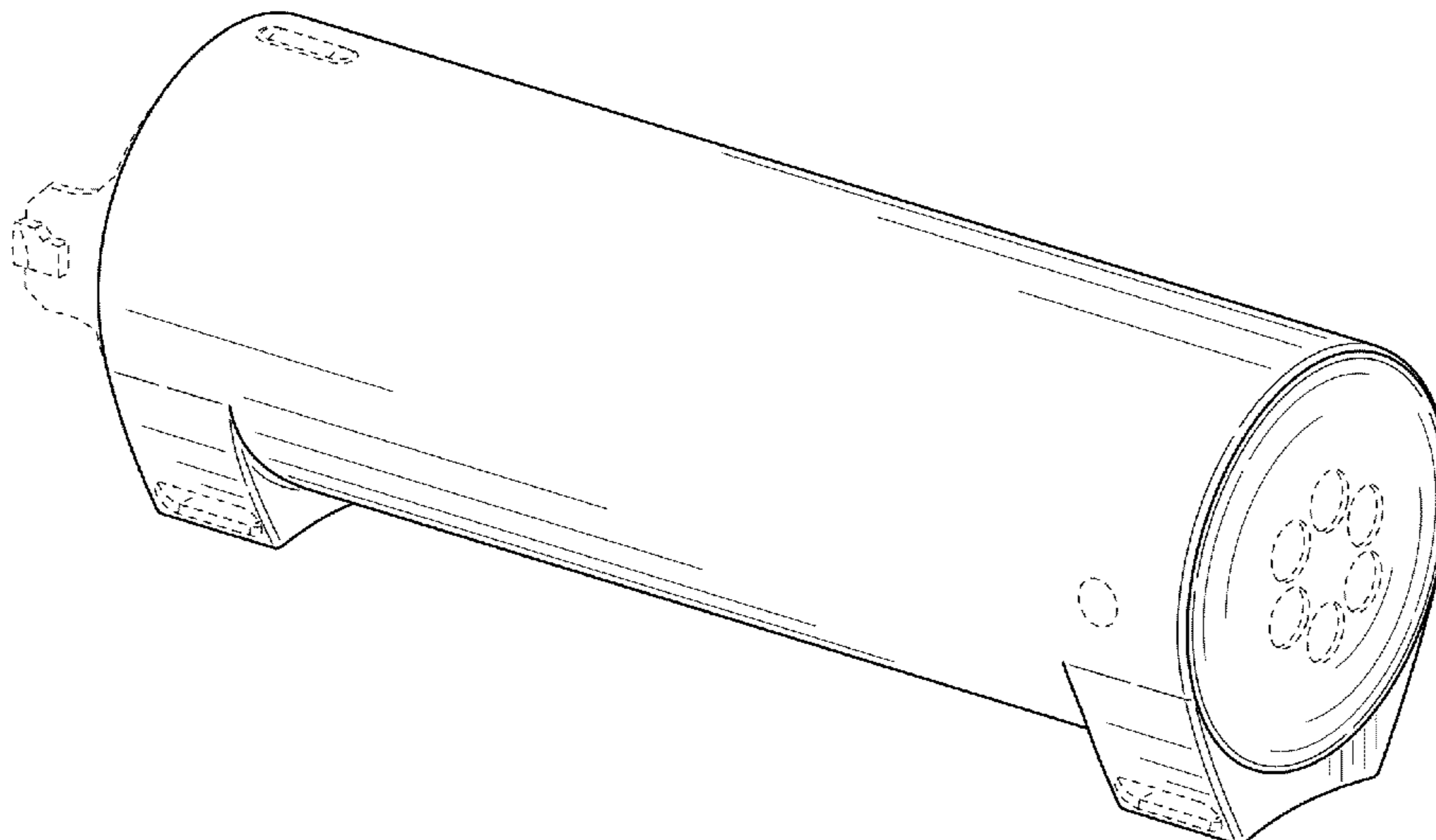
(51) **LOC (10) Cl.** **13-03**

(52) **U.S. Cl.**
USPC **D13/155**

(58) **Field of Classification Search**
USPC D13/133, 146, 147, 153, 154, 155, 184, D13/199; 439/246, 278, 282, 374, 502, 505, 439/527, 578, 607.1, 607.01–607.59, 623, 439/680, 686, 775, 892, 894; 385/53, 55, 385/56, 72, 76, 78, 84

See application file for complete search history.

1 Claim, 5 Drawing Sheets



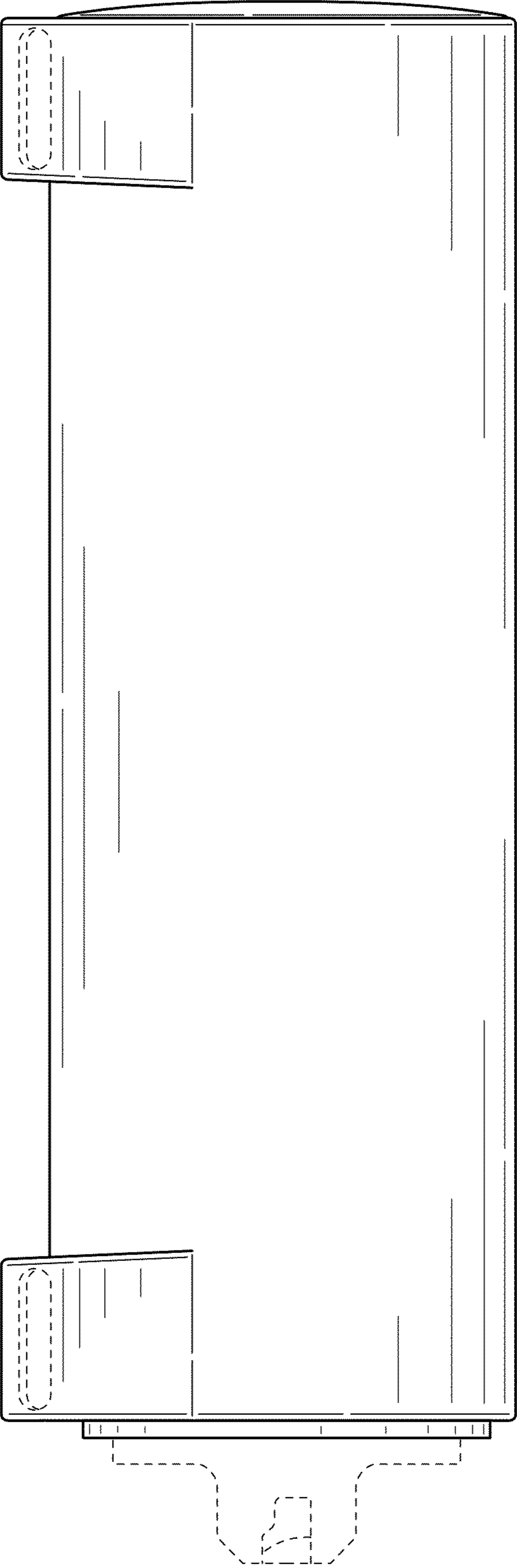


FIG. 1

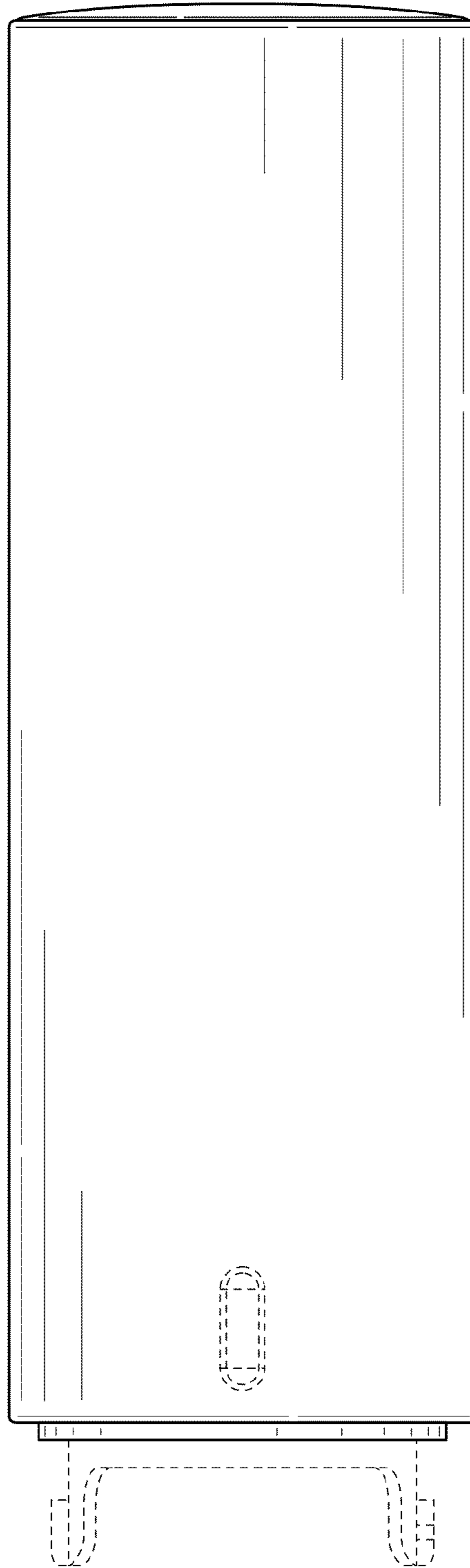


FIG. 2

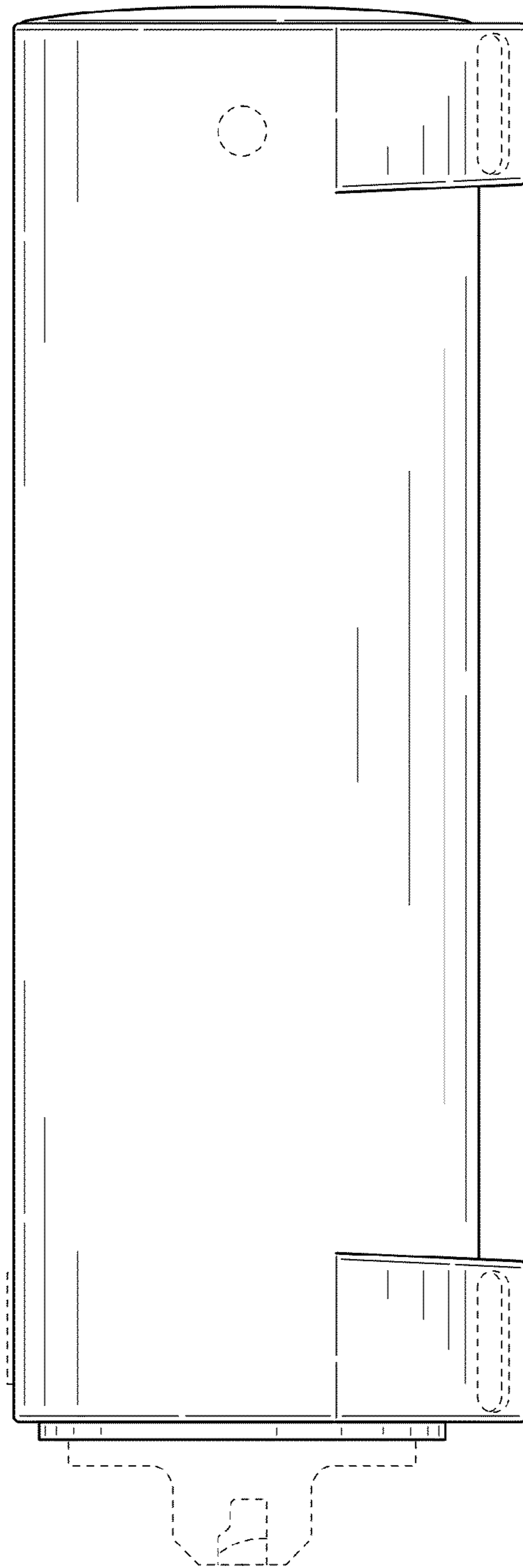


FIG. 3

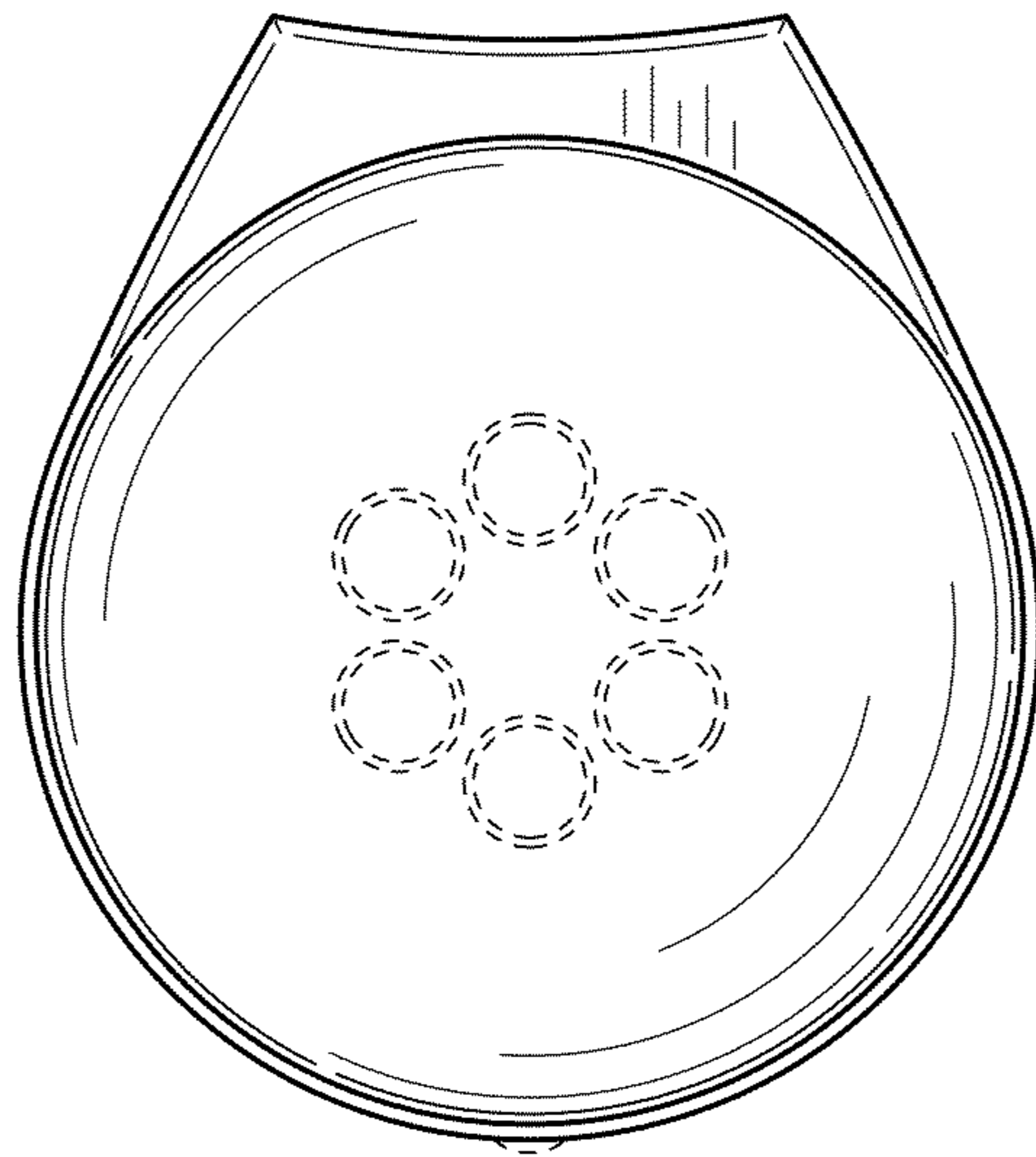


FIG. 4

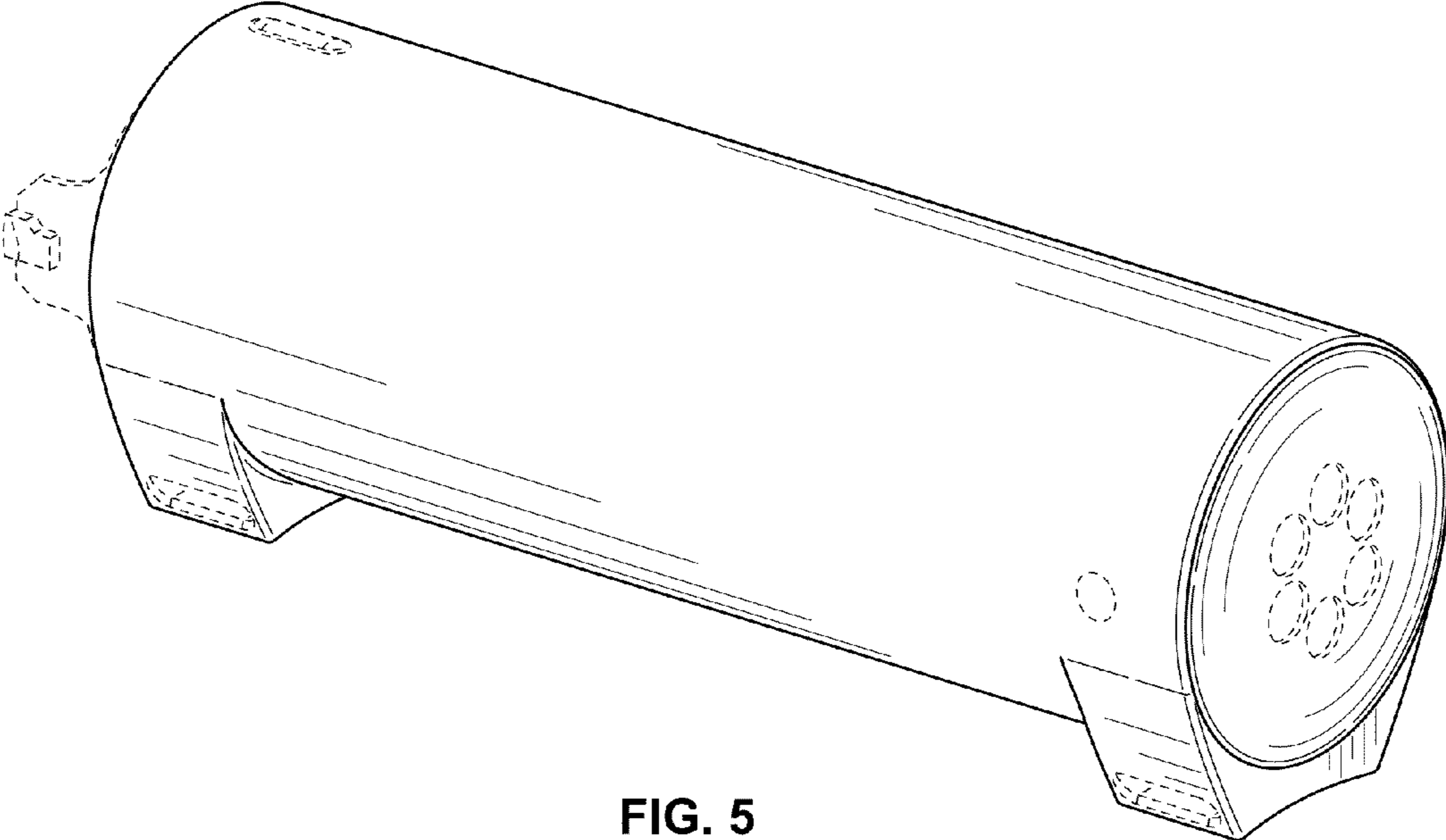


FIG. 5