

US00D733066S

(12) **United States Design Patent**
Vaughn et al.

(10) **Patent No.:** **US D733,066 S**

(45) **Date of Patent:** **** Jun. 30, 2015**

(54) **CABLE BOX**

(71) Applicant: **AFL Telecommunications LLC**,
Duncan, SC (US)

(72) Inventors: **Roger Alan Vaughn**, Greer, SC (US);
Edward Michael Morris, Greer, SC
(US)

(73) Assignee: **AFL Telecommunications LLC**,
Duncan, SC (US)

(**) Term: **14 Years**

(21) Appl. No.: **29/464,332**

(22) Filed: **Aug. 15, 2013**

(51) **LOC (10) Cl.** **13-03**

(52) **U.S. Cl.**
USPC **D13/152**

(58) **Field of Classification Search**
USPC D13/152, 156, 154, 139.1–139.8, 162,
D13/164, 118, 122, 184; 439/535, 536;
220/4.02; 174/54, 55, 58; D14/140.5
See application file for complete search history.

(56) **References Cited**

U.S. PATENT DOCUMENTS

D308,854 S * 6/1990 Fuhrmann et al. D13/184
D418,481 S * 1/2000 Lin D13/152

D486,452 S * 2/2004 Dinh D13/156
D556,145 S * 11/2007 Williams et al. D13/152
D583,795 S * 12/2008 Keenum et al. D14/140.5
D629,365 S * 12/2010 Garcia De Vicuna D13/152
D630,591 S * 1/2011 Garcia De Vicuna D13/152
D690,274 S * 9/2013 Greaney D13/156
D702,198 S * 4/2014 Gretz D13/184

* cited by examiner

Primary Examiner — Holly Baynham

Assistant Examiner — Rhea Shields

(74) *Attorney, Agent, or Firm* — Sughrue Mion, PLLC

(57) **CLAIM**

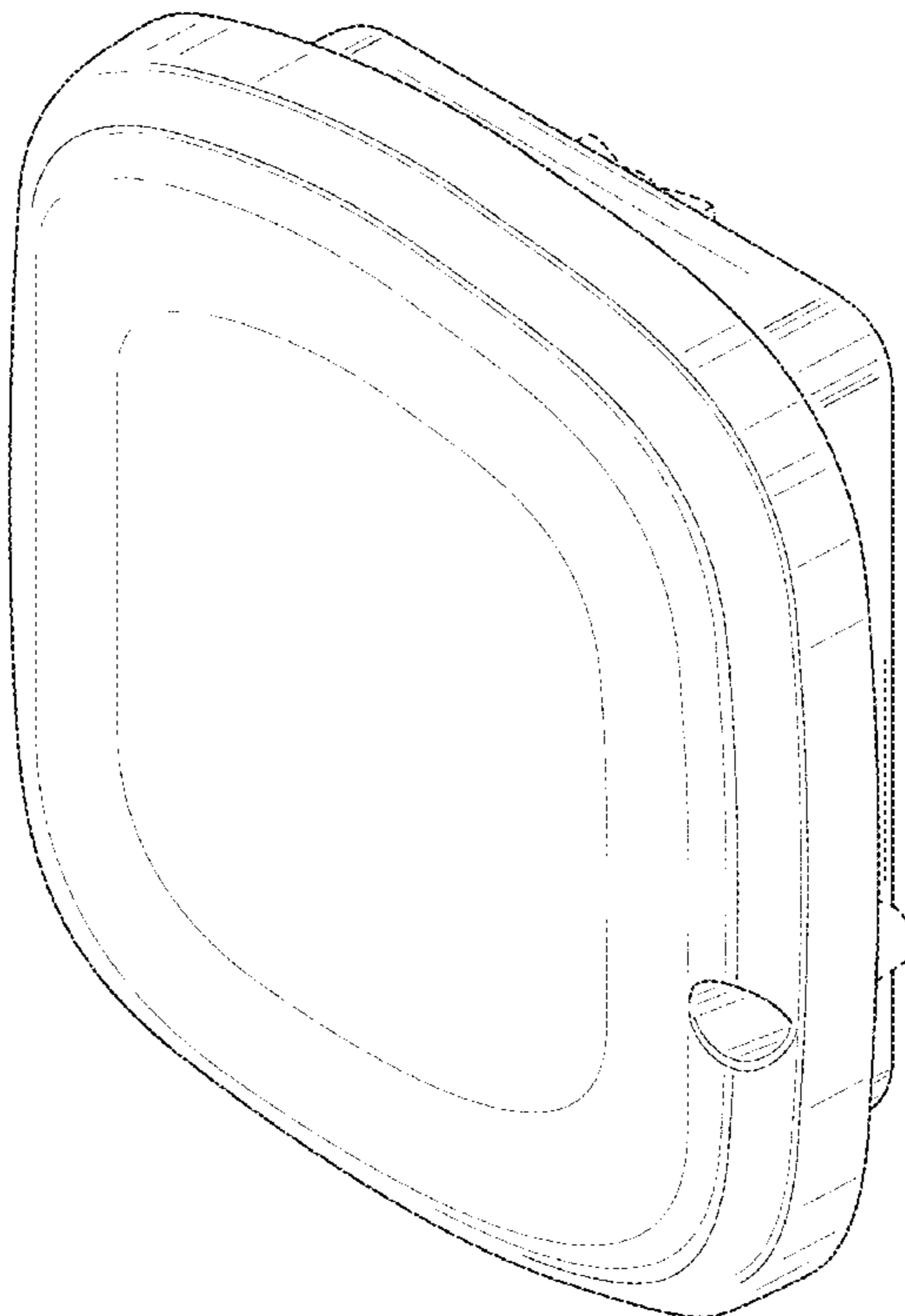
The ornamental design for a cable box, as shown and described.

DESCRIPTION

FIG. 1 is a front perspective view of the cable box;
FIG. 2 is a front view of thereof;
FIG. 3 is a rear view thereof;
FIG. 4 is a right side view thereof;
FIG. 5 is a left side view thereof;
FIG. 6 is a top view thereof; and,
FIG. 7 is a bottom view thereof.

In the drawings, the broken lines depict unclaimed subject matter only and form no part of the claimed design.

1 Claim, 7 Drawing Sheets



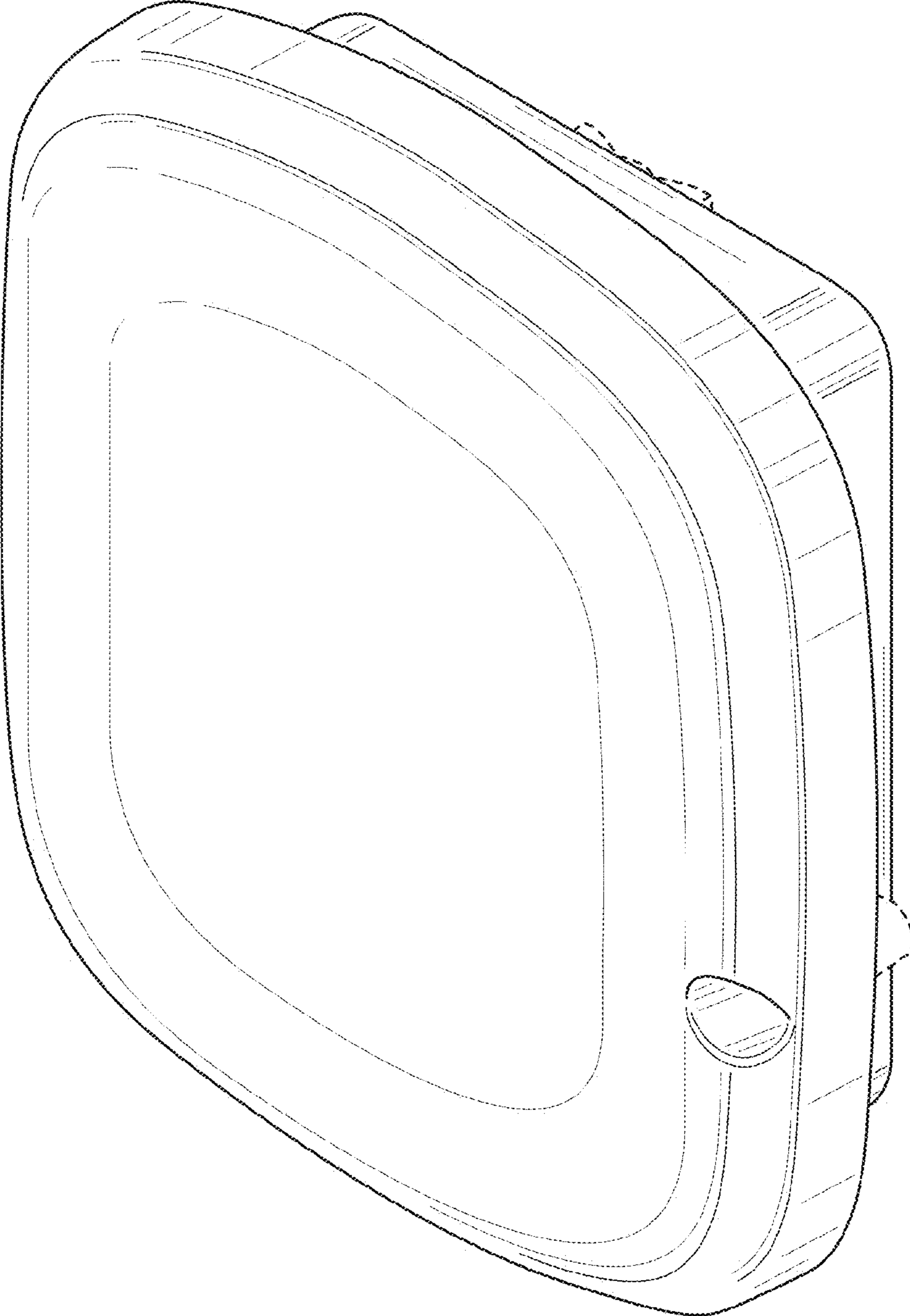


FIG. 1

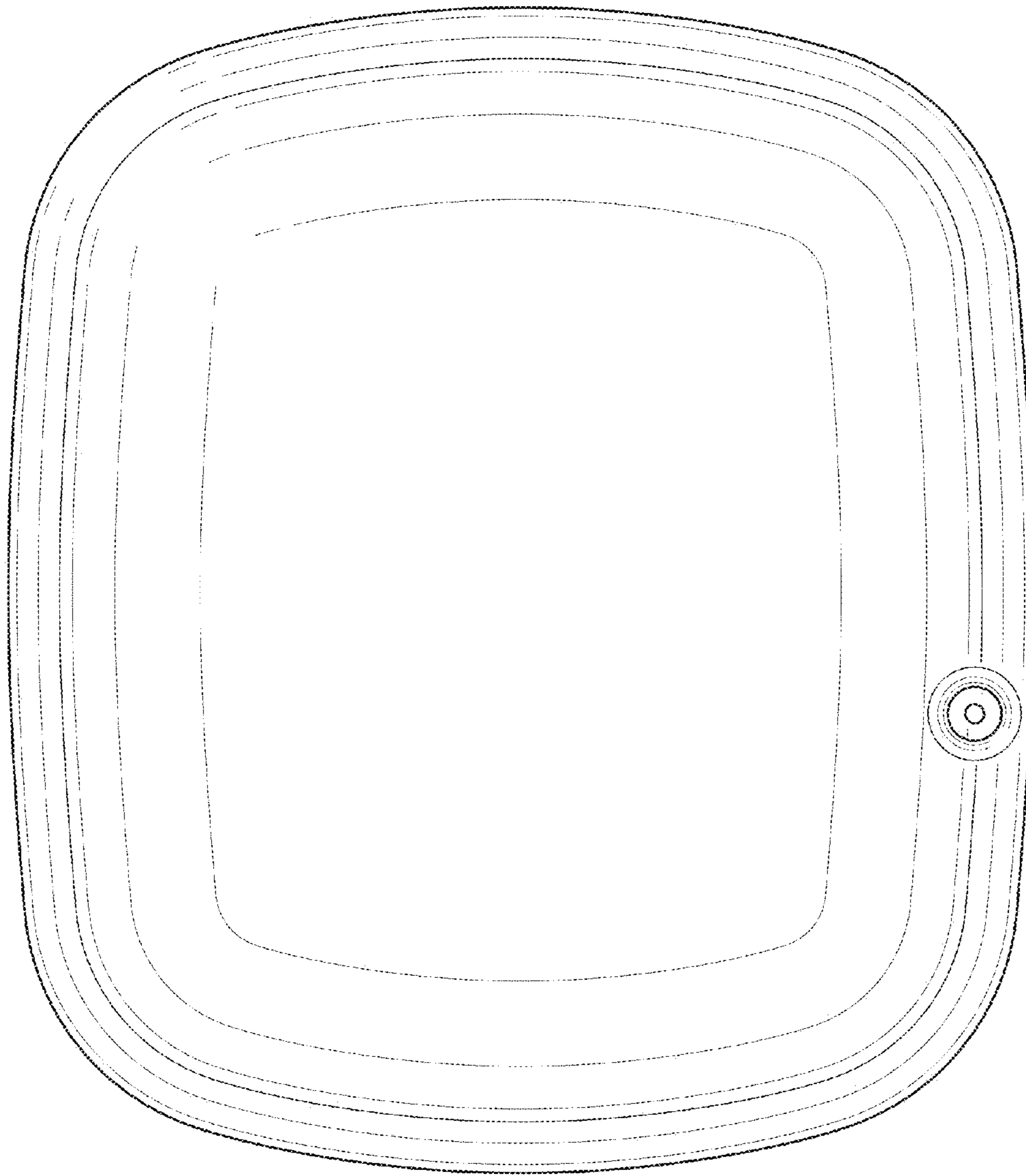


FIG. 2

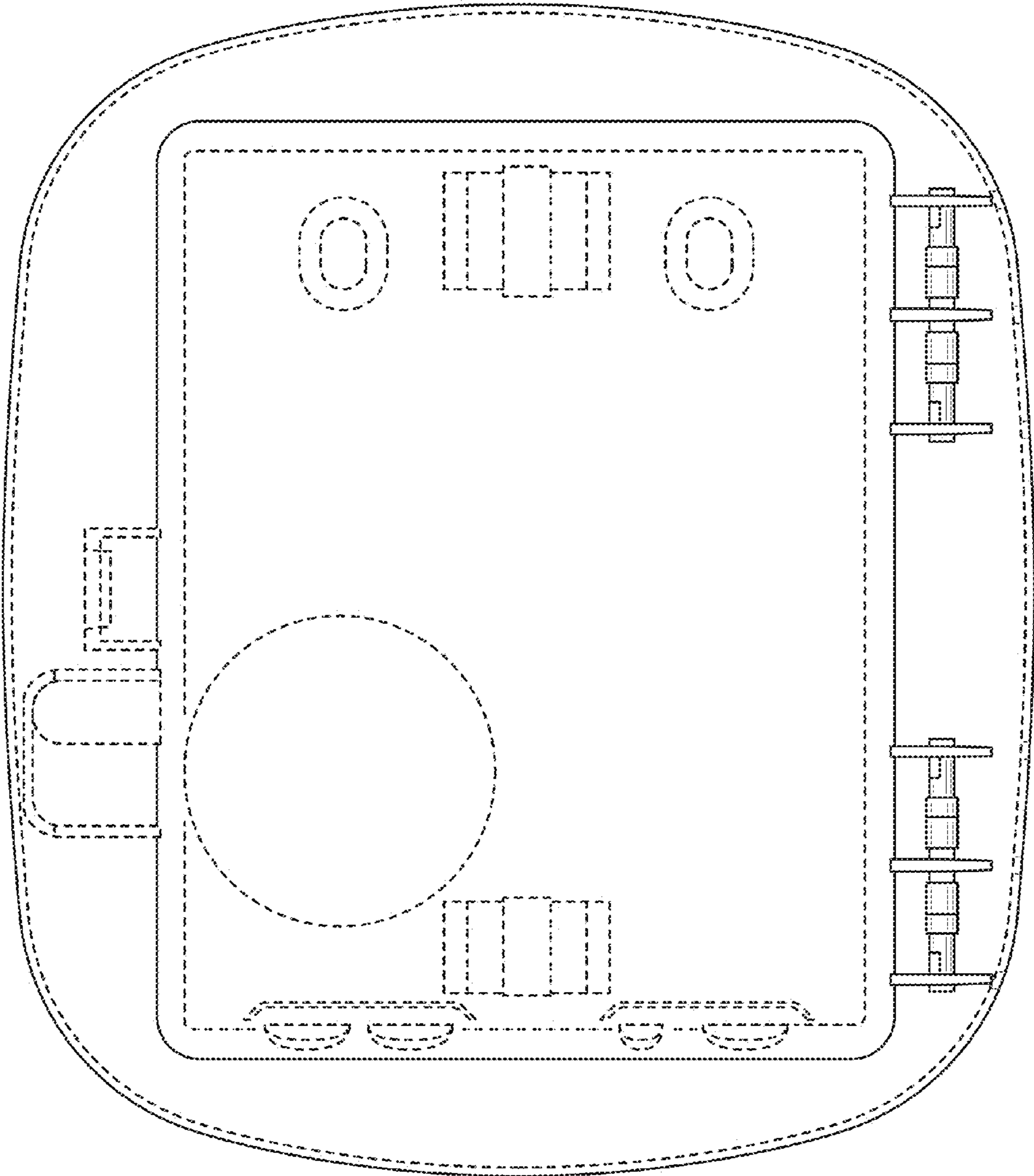


FIG. 3

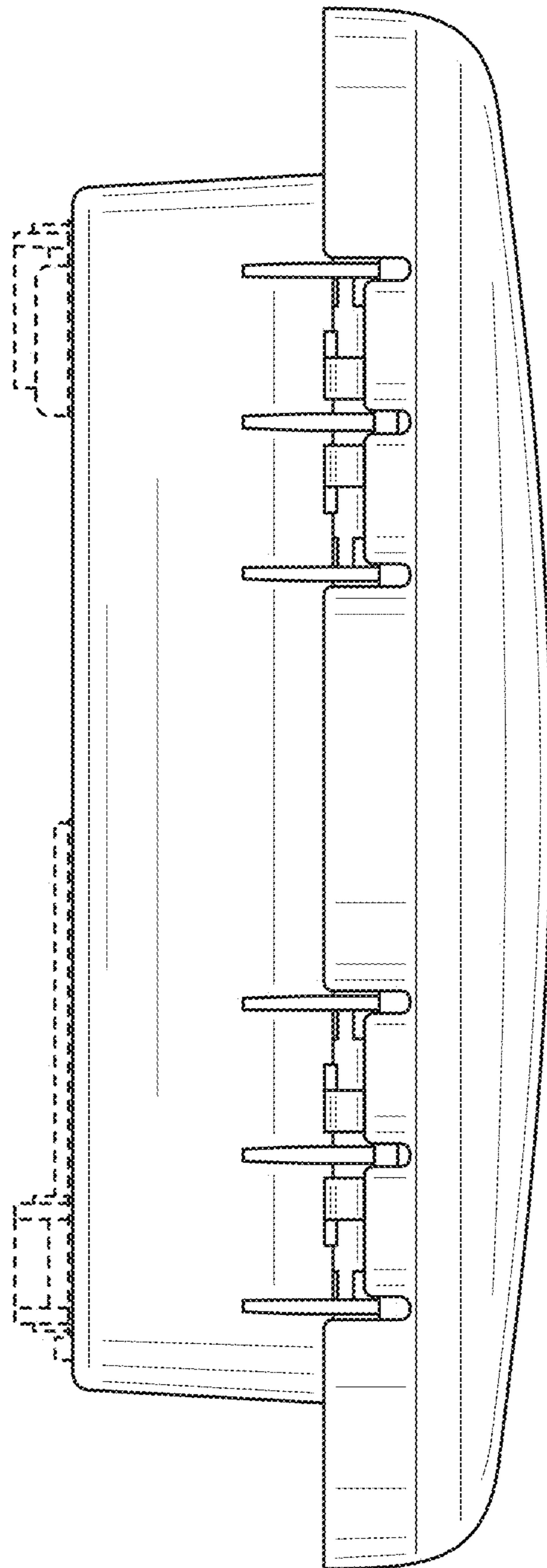


FIG. 4

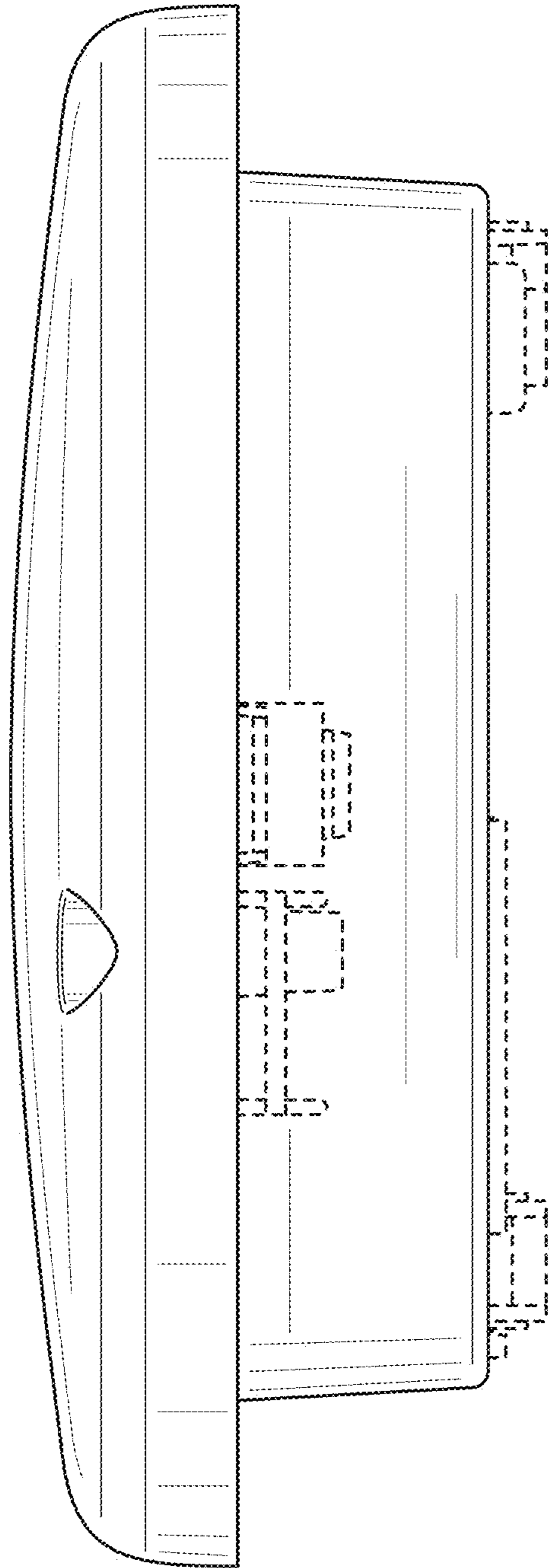


FIG. 5

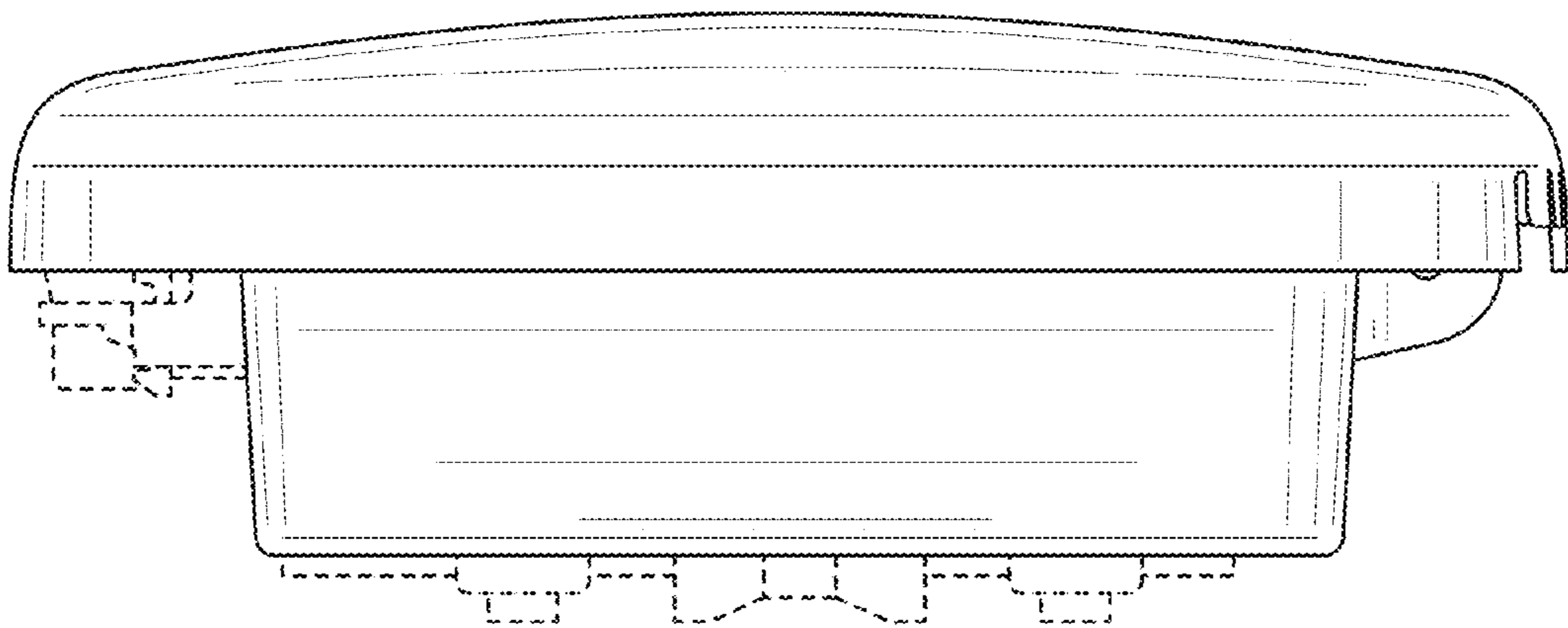


FIG. 6

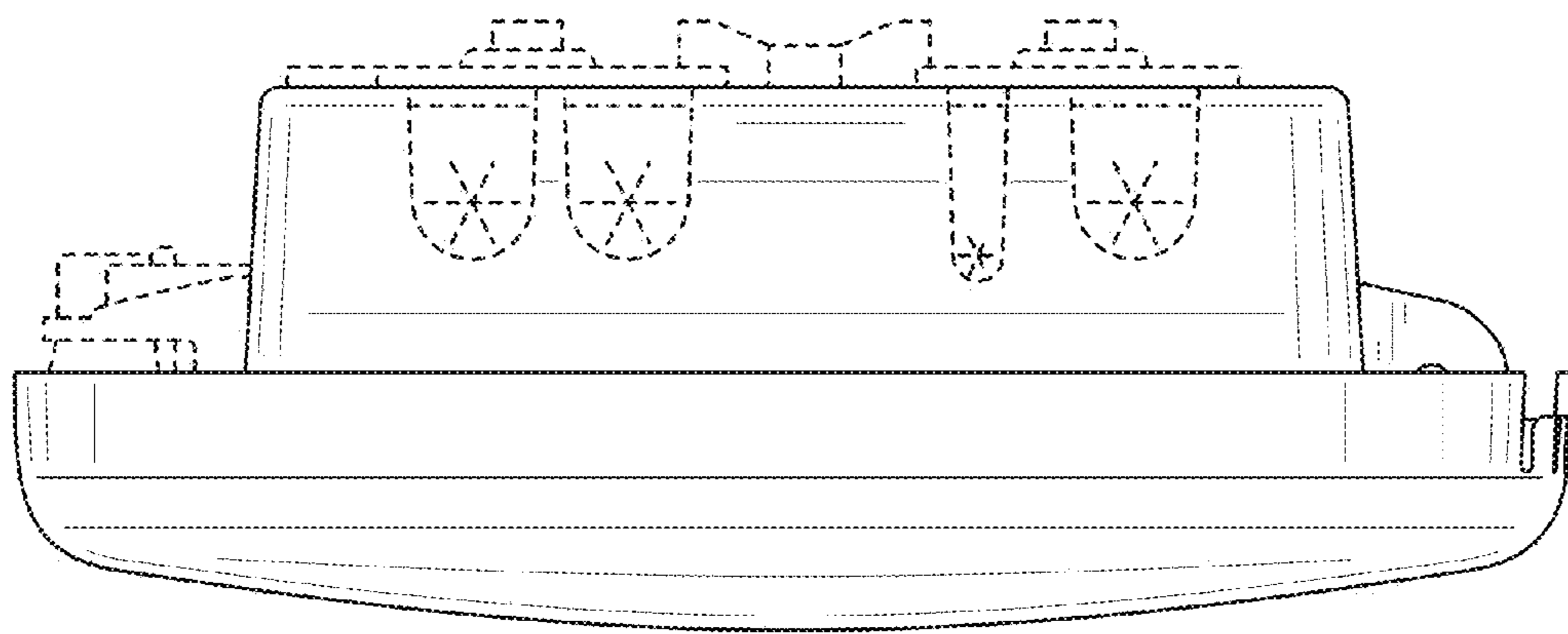


FIG. 7