



US00D733065S

(12) **United States Design Patent**  
**Porter et al.**

(10) **Patent No.:** **US D733,065 S**  
(45) **Date of Patent:** **\*\* Jun. 30, 2015**

(54) **FLUSH MOUNT KIT**

(71) Applicant: **AMX LLC**, Richardson, TX (US)

(72) Inventors: **Jomichael Porter**, Dallas, TX (US);  
**Miguel Alejandro Sereno**, Murphy, TX (US);  
**Rashid Skaf**, Plano, TX (US);  
**Vincent W. Ellis**, Plano, TX (US)

(73) Assignee: **AMX LLC**, Richardson, TX (US)

(\*\*) Term: **14 Years**

(21) Appl. No.: **29/457,542**

(22) Filed: **Jun. 11, 2013**

(51) **LOC (10) Cl.** ..... **13-03**

(52) **U.S. Cl.**  
USPC ..... **D13/152**

(58) **Field of Classification Search**  
USPC ..... D13/152, 158, 184, 147, 179, 178;  
174/50, 53-55, 58; 439/535, 345, 373,  
439/536; 220/4.02

See application file for complete search history.

(56) **References Cited**

**U.S. PATENT DOCUMENTS**

D558,683 S \* 1/2008 Pape et al. .... D13/158  
D606,033 S \* 12/2009 Sonntag ..... D13/184

D624,503 S \* 9/2010 Severing ..... D13/147  
D626,509 S \* 11/2010 Severing ..... D13/147  
8,124,872 B2 \* 2/2012 Vigorito et al. .... 174/50  
8,415,561 B2 \* 4/2013 Gates et al. .... 174/50  
D692,836 S \* 11/2013 Thomas et al. .... D13/152  
D694,721 S \* 12/2013 Peng ..... D13/179  
D695,698 S \* 12/2013 Greenberg ..... D13/178  
D700,893 S \* 3/2014 Thomas et al. .... D13/152  
D702,198 S \* 4/2014 Gretz ..... D13/184  
8,748,744 B2 \* 6/2014 O'Connor et al. .... 174/53

\* cited by examiner

*Primary Examiner* — Holly Baynham

*Assistant Examiner* — Rhea Shields

(57) **CLAIM**

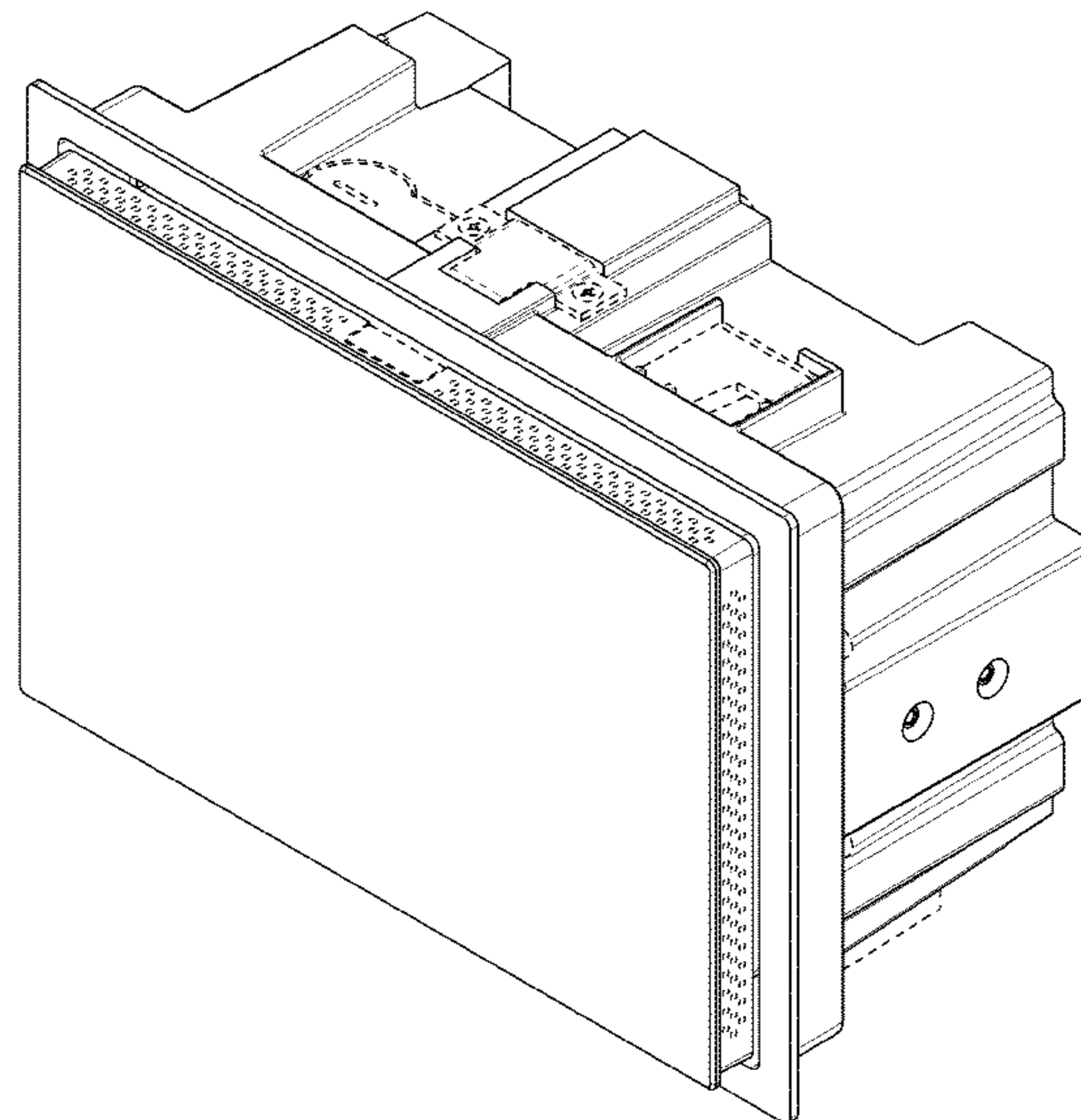
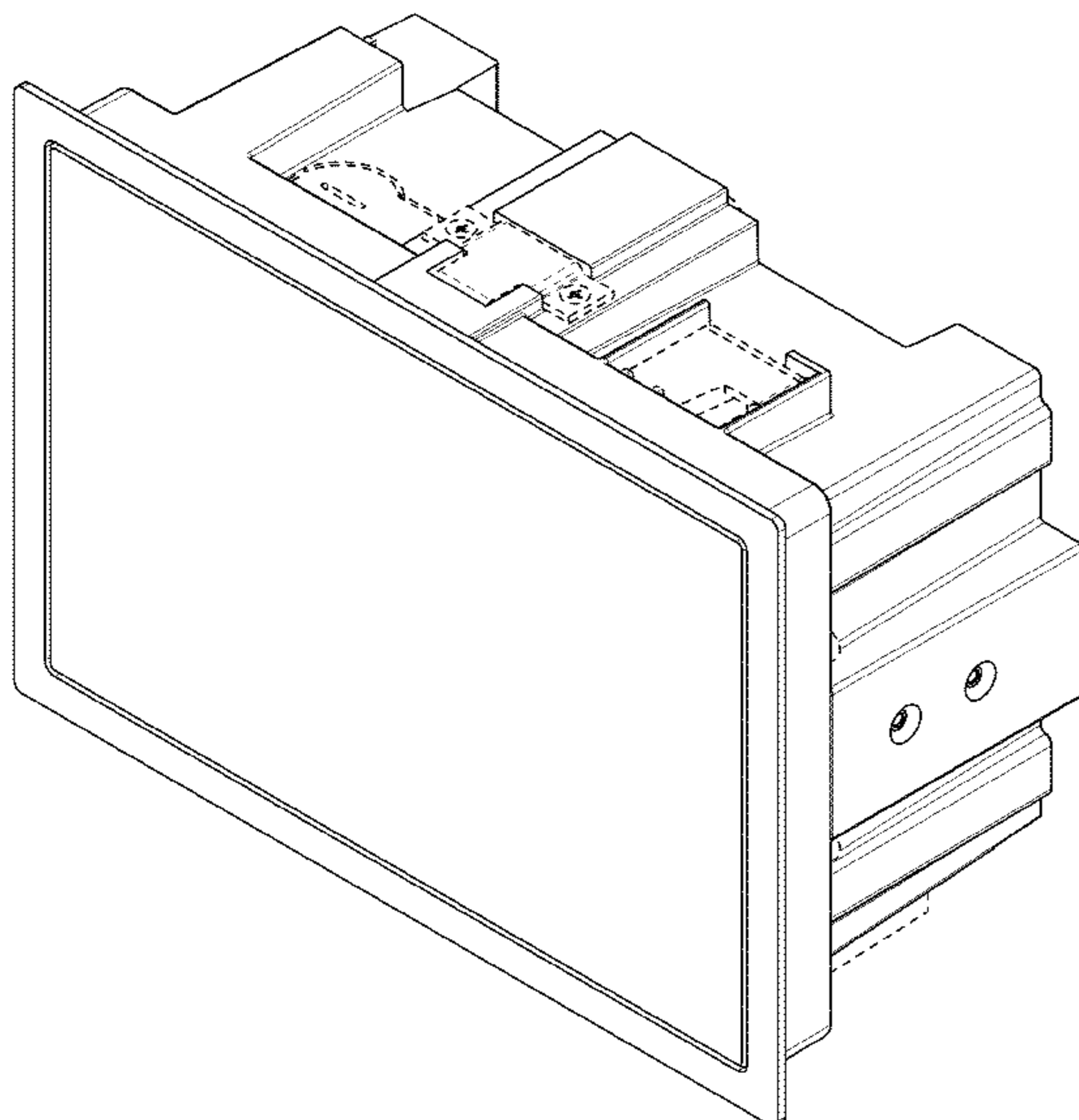
The ornamental design for a flush mount kit, as shown and described.

**DESCRIPTION**

FIG. 1 is a front isometric view of a touch panel installed in a flush mount kit in the flush position; and, FIG. 2 is a front isometric view thereof in the extended position.

In the drawings, the broken lines are for the purpose of illustrating environment only and form no part of the claimed design.

**1 Claim, 2 Drawing Sheets**



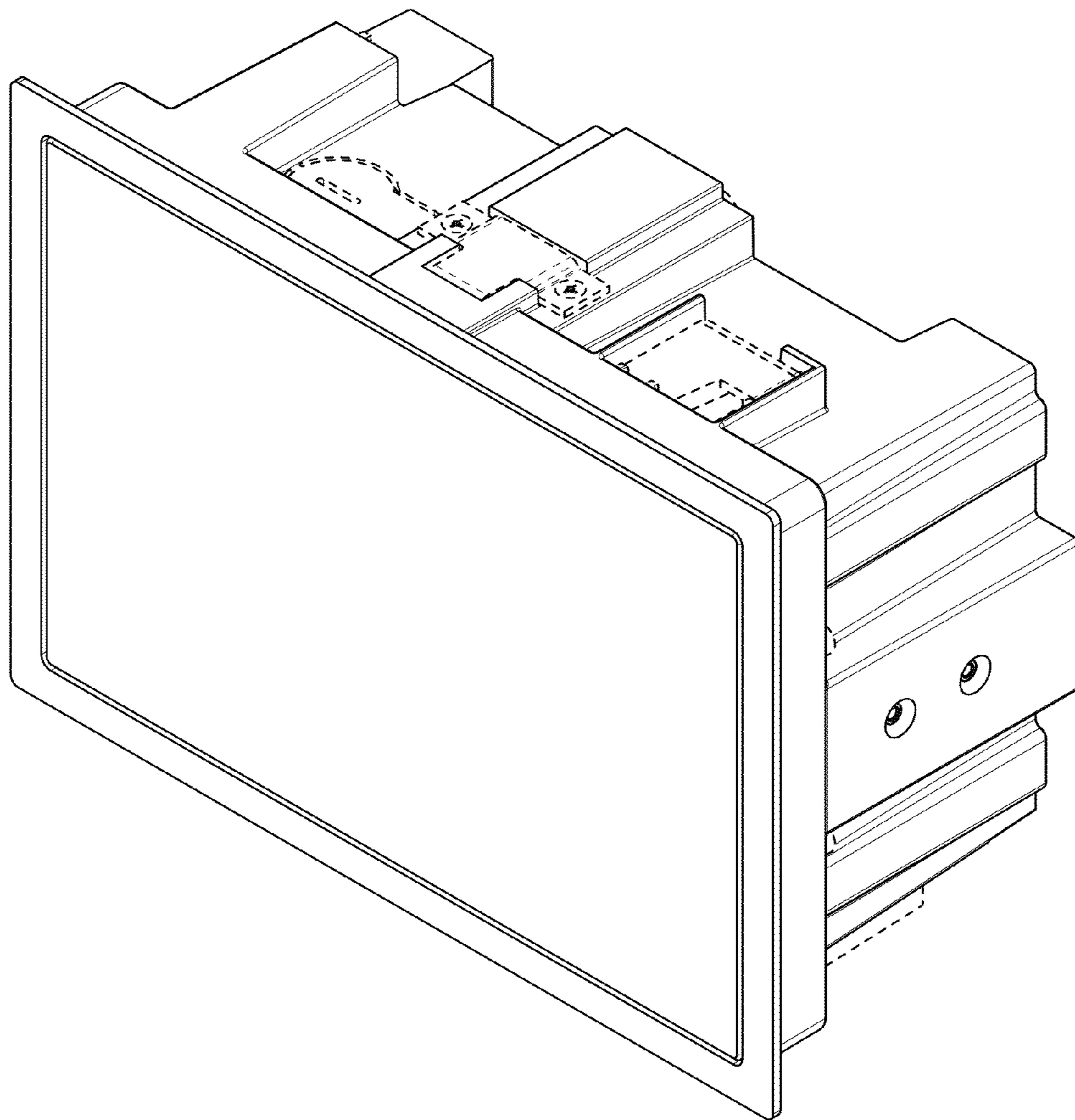


FIG. 1

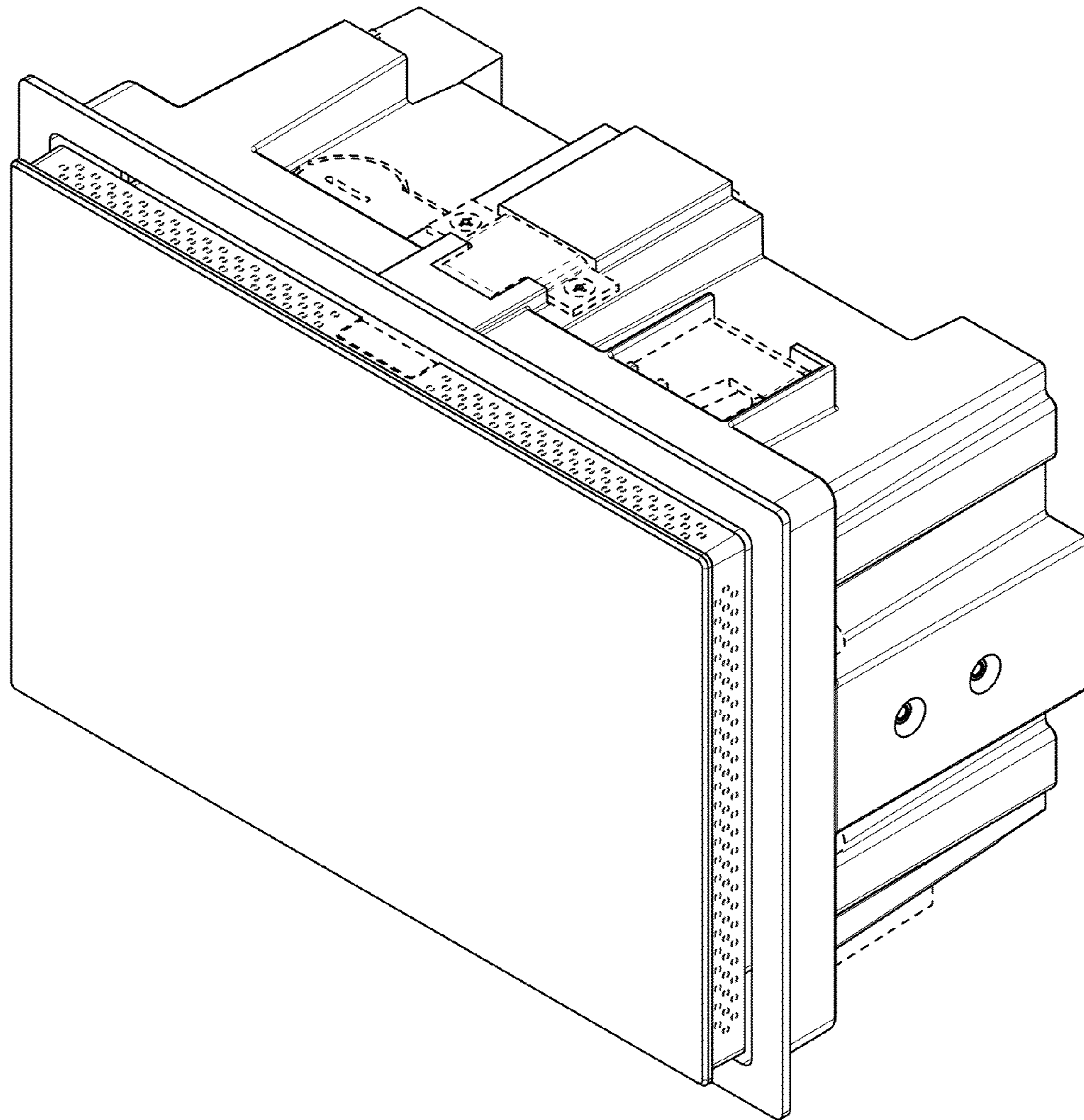


FIG. 2