



US00D733064S

(12) **United States Design Patent**
Smith

(10) **Patent No.:** **US D733,064 S**
(45) **Date of Patent:** **** Jun. 30, 2015**

- (54) **PUSH-ON TYPE GROUNDING BUSHING**
- (71) Applicant: **Bridgeport Fittings, Inc.**, Stratford, CT (US)
- (72) Inventor: **Lawrence J. Smith**, Stamford, CT (US)
- (73) Assignee: **BRIDGEPORT FITTINGS, INC.**, Stratford, CT (US)
- (**) Term: **14 Years**

D277,454	S	*	2/1985	Meinhardt	D8/397
4,536,613	A		8/1985	Gallas		
4,806,108	A	*	2/1989	Meinhardt	439/100
4,875,864	A	*	10/1989	Campbell	439/100
5,364,281	A		11/1994	Leto		
5,480,311	A		1/1996	Luu		
6,011,218	A		1/2000	Burek et al.		
6,797,877	B1		9/2004	Burnette		
6,817,895	B2		11/2004	Kiely		
6,903,267	B2		6/2005	Burnette		
7,005,574	B2		2/2006	Burnette		
7,005,581	B2		2/2006	Burnette		
7,126,064	B1		10/2006	Shemtov		

(Continued)

(21) Appl. No.: **29/489,144**

(22) Filed: **Apr. 28, 2014**

(51) **LOC (10) Cl.** **13-03**

(52) **U.S. Cl.**
USPC **D13/149**

(58) **Field of Classification Search**
USPC D13/129, 133, 149, 151, 153, 154, 156,
D13/184, 199; 439/271, 275, 277, 283, 285,
439/279 R, 282; 174/74 R, 71 C, 650, 656,
174/665, 659; D8/348, 354, 355
CPC H01R 4/10; H01R 4/18; H01R 4/38;
H01R 4/40; H01R 4/64
See application file for complete search history.

(56) **References Cited**

U.S. PATENT DOCUMENTS

1,690,220	A	*	11/1928	Fahnestock	439/100
1,941,905	A	*	1/1934	Mair	174/78
3,009,128	A	*	11/1961	De Carlo	439/208
3,492,625	A	*	1/1970	Bromberg	439/100
3,643,203	A		2/1972	McLaughlin et al.		
3,706,959	A	*	12/1972	Norden	439/208
3,967,872	A		7/1976	Mooney et al.		
D243,407	S	*	2/1977	Mooney et al.	D13/149
4,159,859	A	*	7/1979	Shemtov	439/100
4,189,198	A	*	2/1980	Reichman	439/100
4,210,374	A		7/1980	Churla		
4,248,490	A		2/1981	Bachle		

OTHER PUBLICATIONS

“Cable Fittings terminate large MC cable in dry locations”; Apr. 8, 2013; Thomasnet.com; <http://news.thomasnet.com/fullstory/Cable-Fittings-terminate-large-MC-cable-in-dry-locations-20006067>.

(Continued)

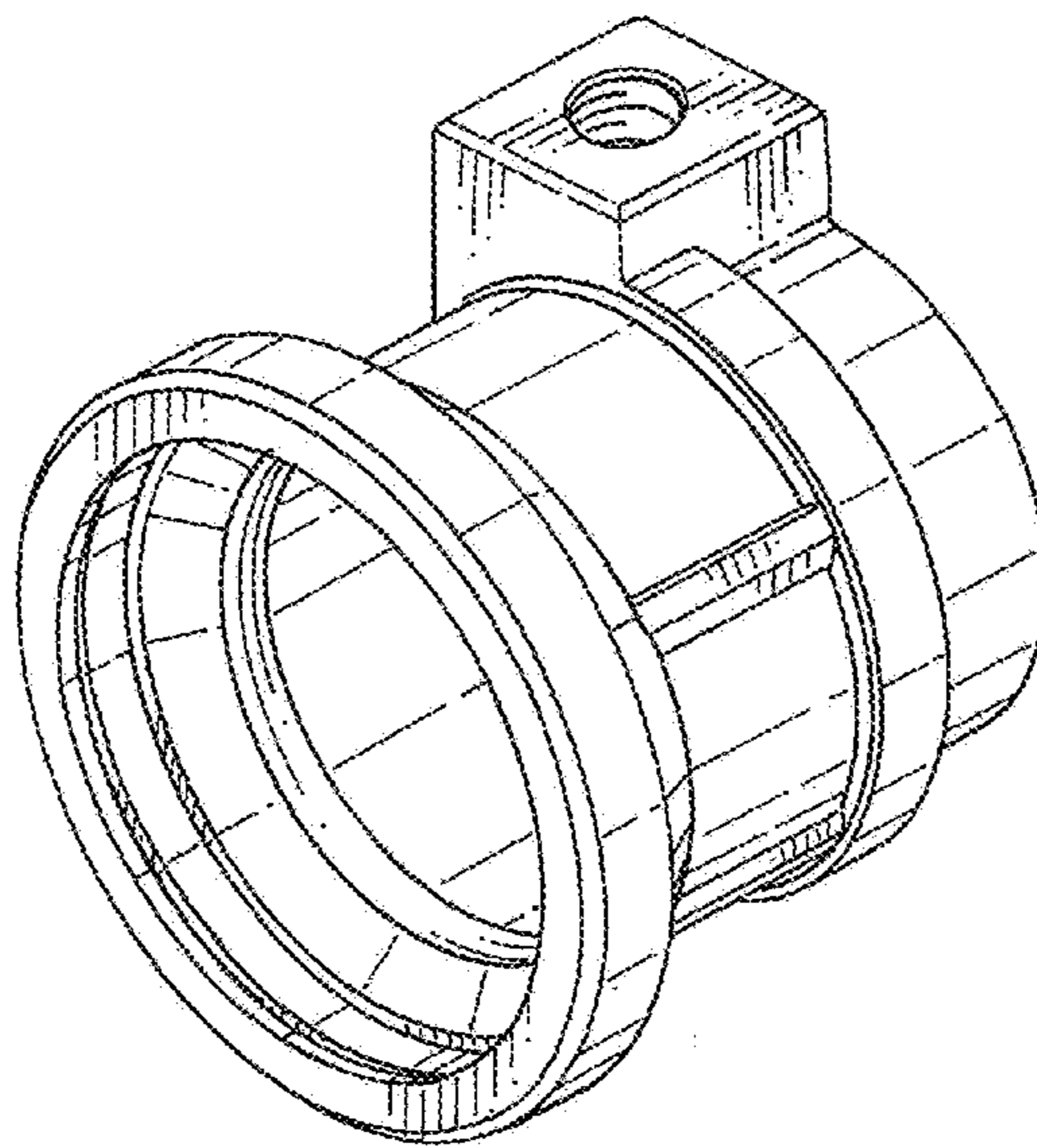
Primary Examiner — Derrick Holland
Assistant Examiner — Jennifer O King
(74) *Attorney, Agent, or Firm* — Ware, Fressola, Maguire & Barber LLP

(57) **CLAIM**
The ornamental design for a push-on type grounding bushing, as shown and described.

DESCRIPTION

FIG. 1 is a perspective view of a push-on type grounding showing my new design;
FIG. 2 is a left side view thereof;
FIG. 3 is a right side view thereof;
FIG. 4 is a rear view thereof;
FIG. 5 is a front view thereof;
FIG. 6 is a top view thereof; and,
FIG. 7 is a bottom view thereof.

1 Claim, 3 Drawing Sheets



(56)

References Cited

U.S. PATENT DOCUMENTS

7,182,611	B2	2/2007	Borden et al.	
7,198,495	B1	4/2007	Youtsey	
7,488,905	B2	2/2009	Kiely et al.	
D596,578	S	7/2009	Kiely et al.	
D618,626	S	6/2010	Kiely	
7,758,356	B2	7/2010	Burris et al.	
7,841,630	B1	11/2010	Auray et al.	
D633,873	S *	3/2011	Kiely	D13/155
8,106,297	B1	1/2012	Kiely	
D666,153	S *	8/2012	Smith	D13/149
8,242,369	B2	8/2012	Kiely et al.	
8,274,000	B2	9/2012	Smith	
8,466,378	B1	6/2013	Gretz	
8,474,877	B2	7/2013	Smith	
8,487,197	B2	7/2013	Smith	
2005/0189134	A1 *	9/2005	Pyron	174/65 R
2010/0041281	A1	2/2010	Quattro	
2011/0287643	A1	11/2011	Lopez	
2013/0189860	A1	7/2013	Pyron	

OTHER PUBLICATIONS

“Tite-Bite Combination Couplings Armored Cable for Threaded Rigid—Rigid and Intermediate Metal Conduit Fittings”; PartCommunity.com; http://b2b.partcommunity.com/portal/portal/b2b/CAD+CATALOGS?info=thomas_betts/fittings/rigit_fittings/tite_bite_combinat_coupl_asmtab.prj.

“Grounding Clamps”; Bridgeport Fittings, Inc. Catalog; p. 93; Nov. 1, 2013.

“Insulating Bushing”; Bridgeport Fittings, Inc. Catalog; p. 43; Nov. 1, 2013.

Arlington EMT250 Product Information; Nov. 1, 2013; entire document.

Ground Lug; Nov. 1, 2013; entire document.

Lay-In Lugs: Solar Grounding Lugs; Nov. 1, 2013; entire document.

Midwest LT2006 2LT Connector Ground Lug; Nov. 1, 2013; entire document.

* cited by examiner

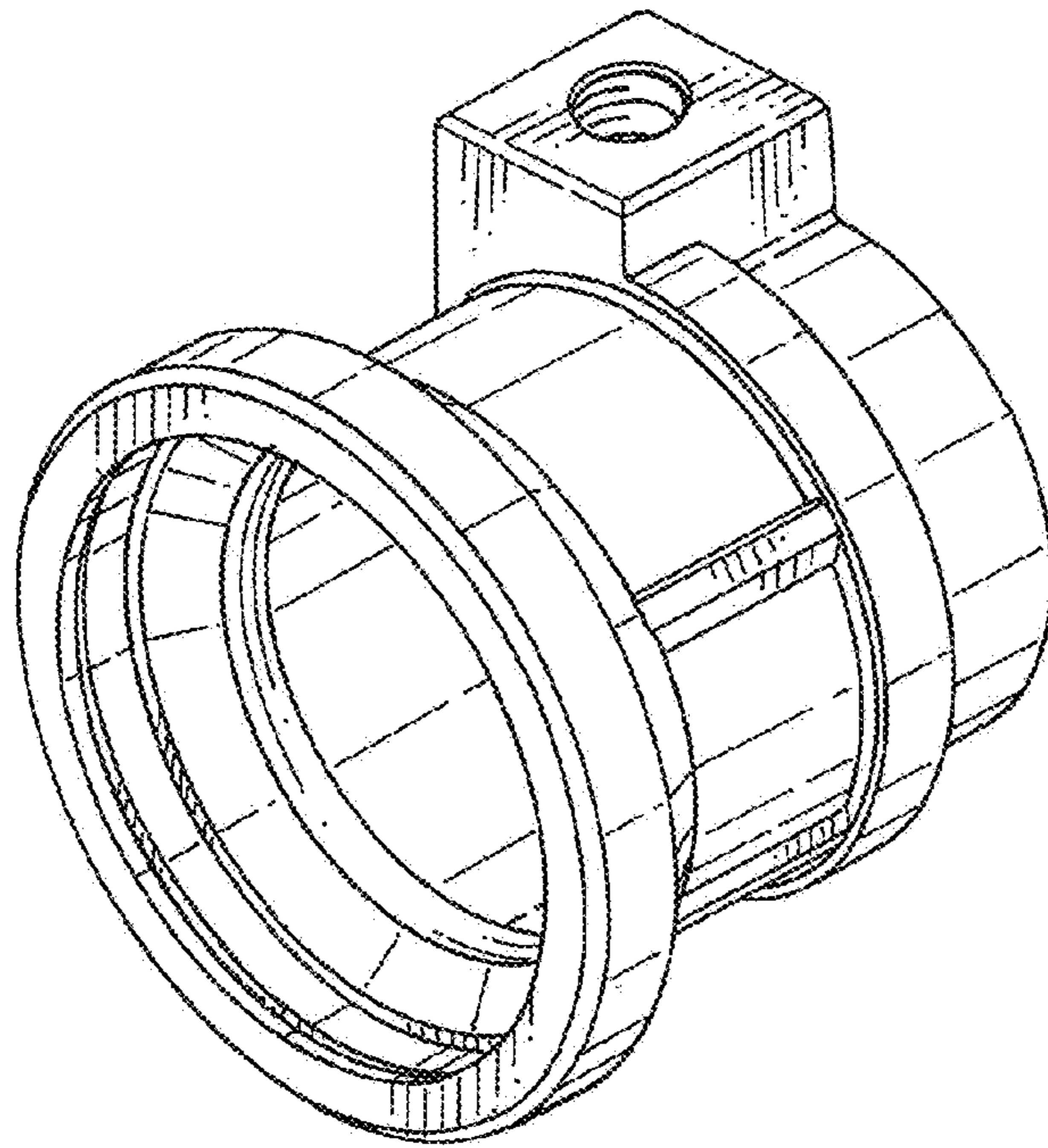


FIG. 1

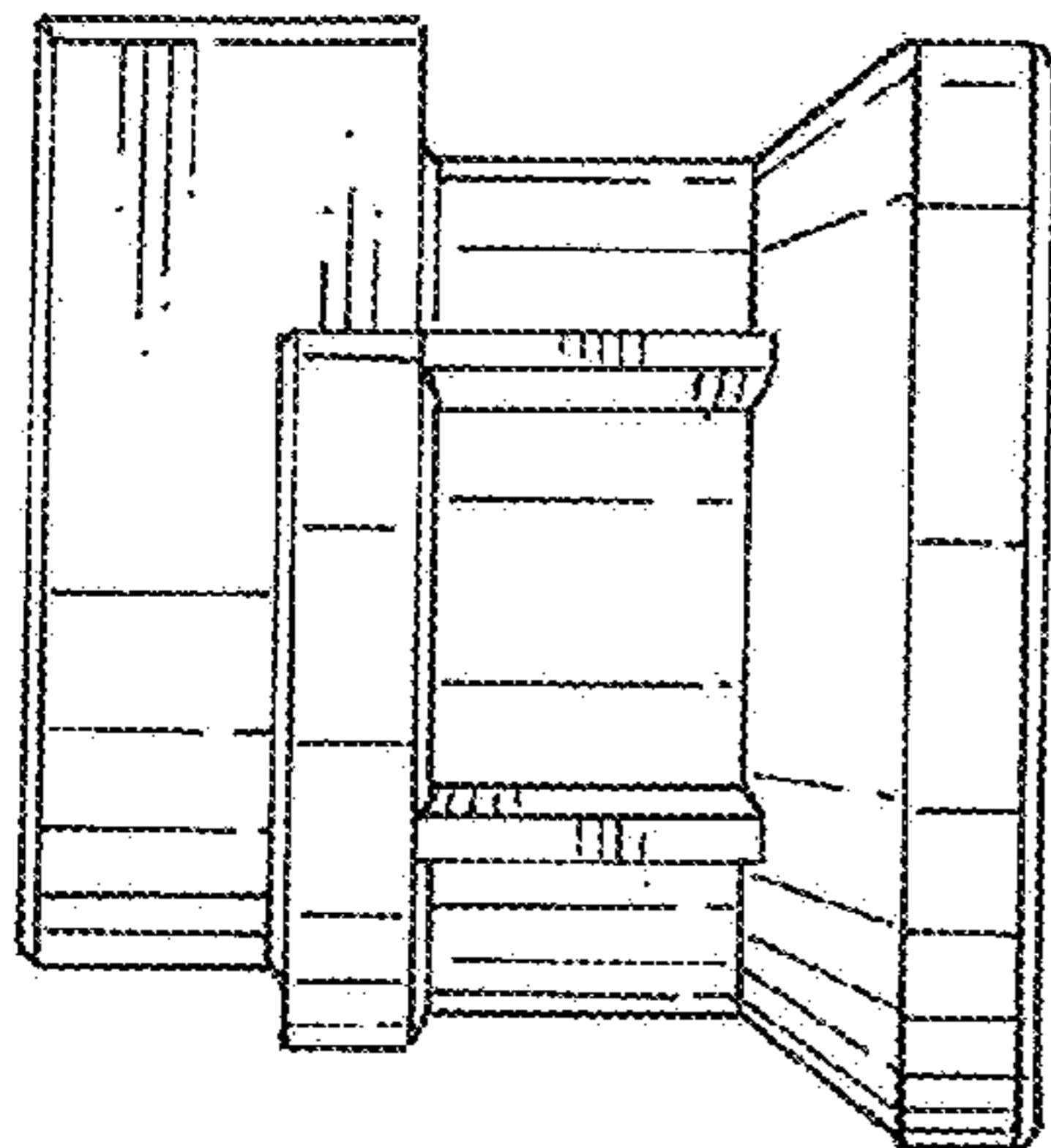


FIG. 2

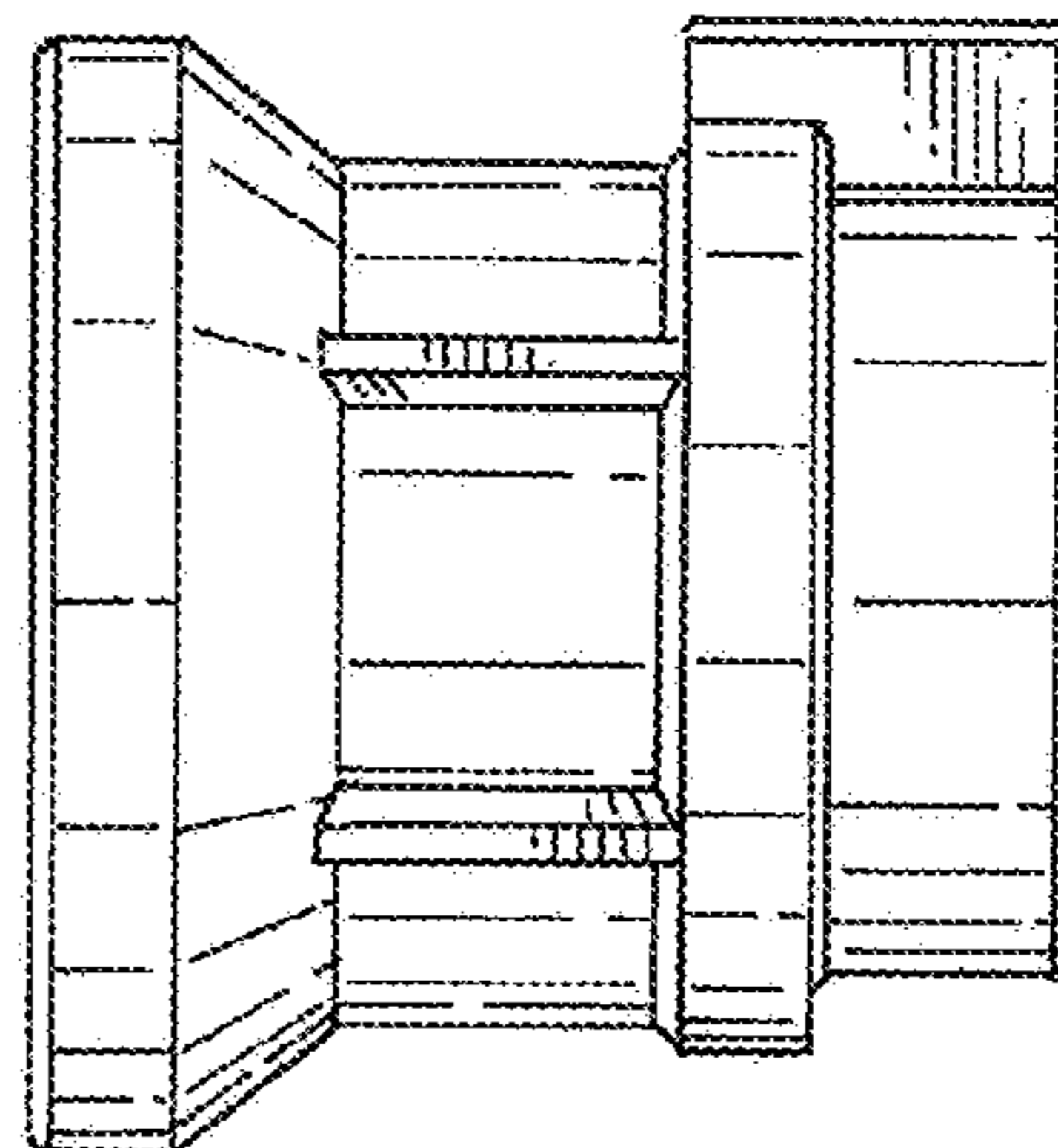


FIG. 3

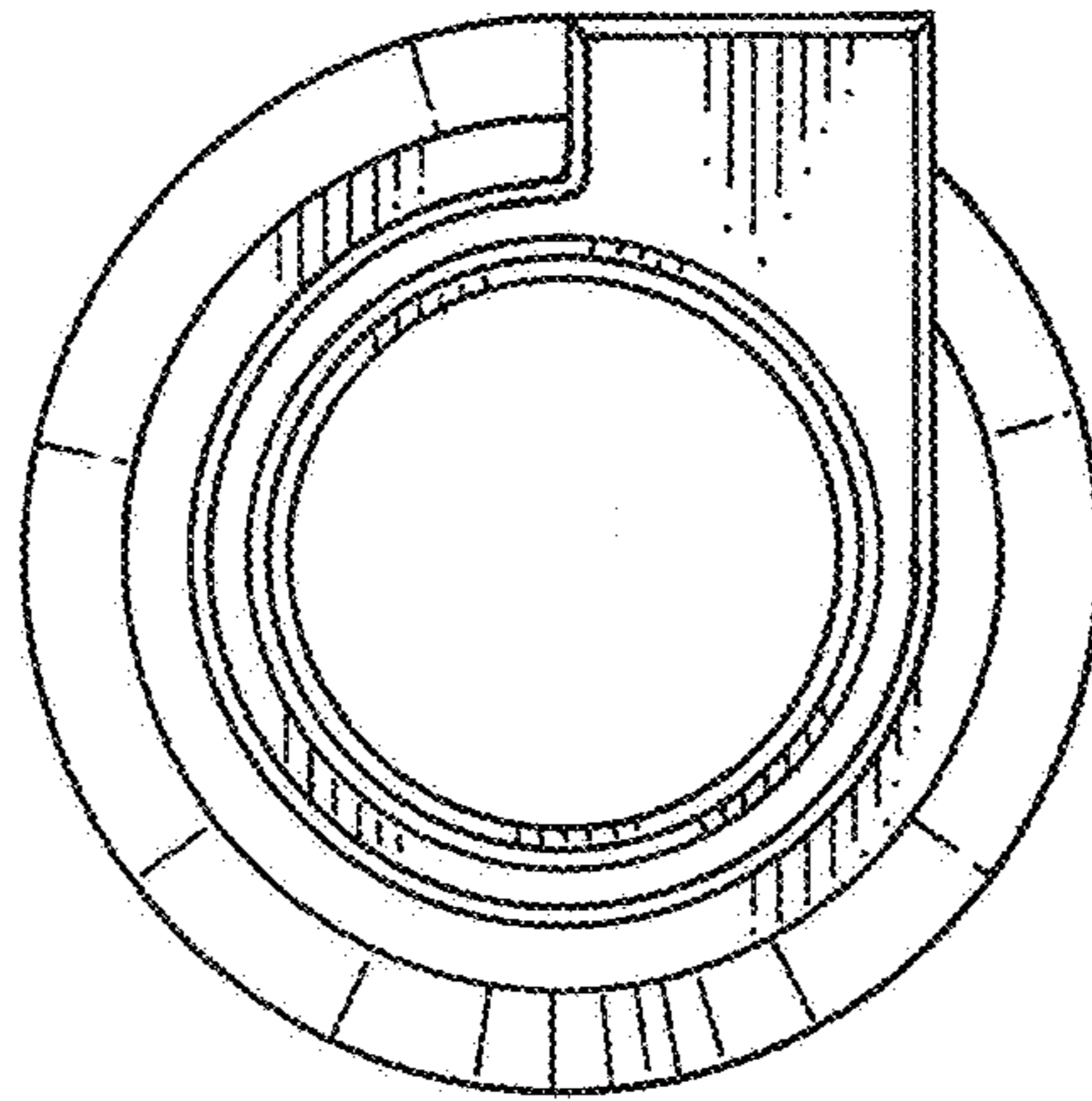


FIG. 4

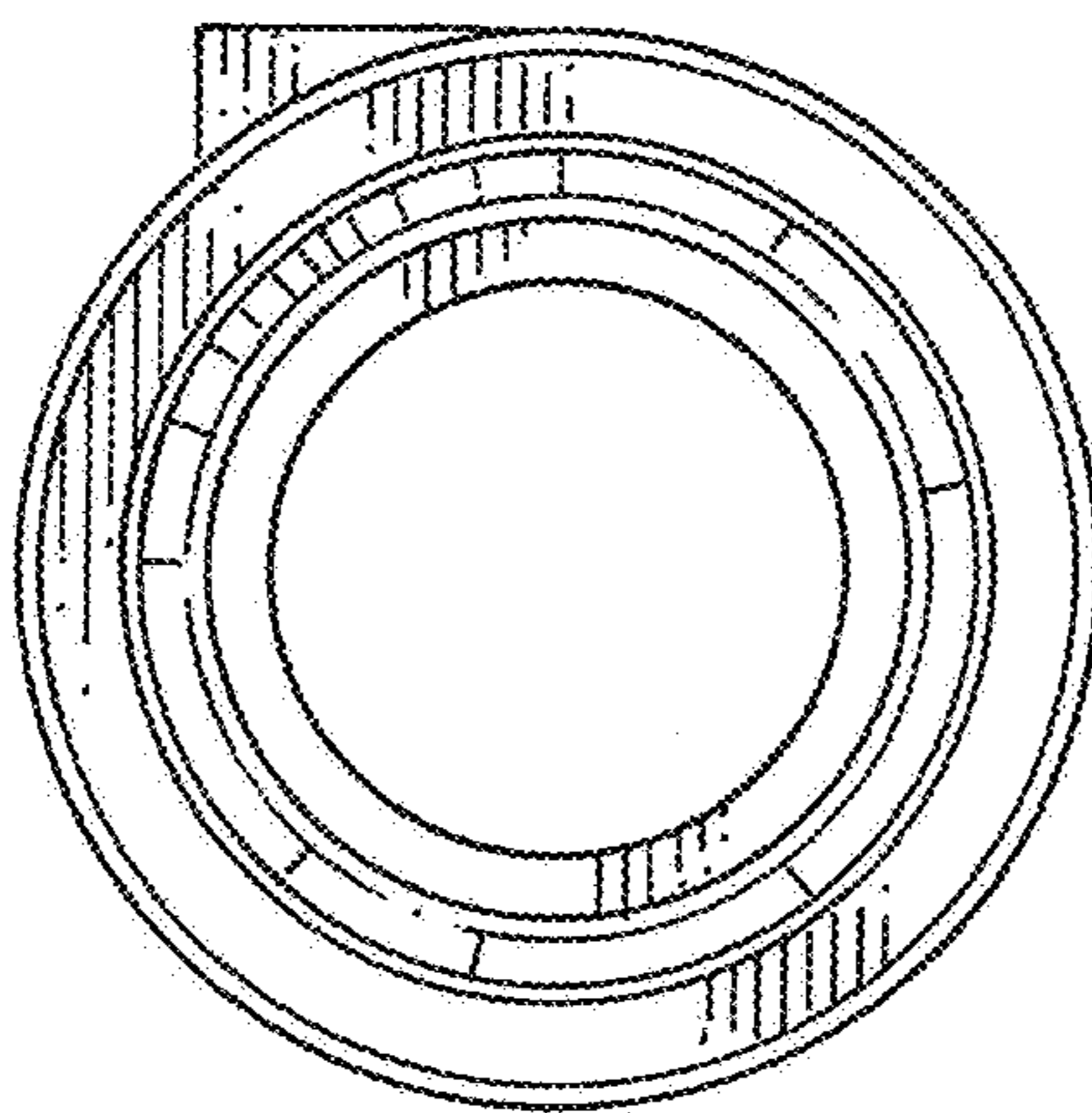


FIG. 5

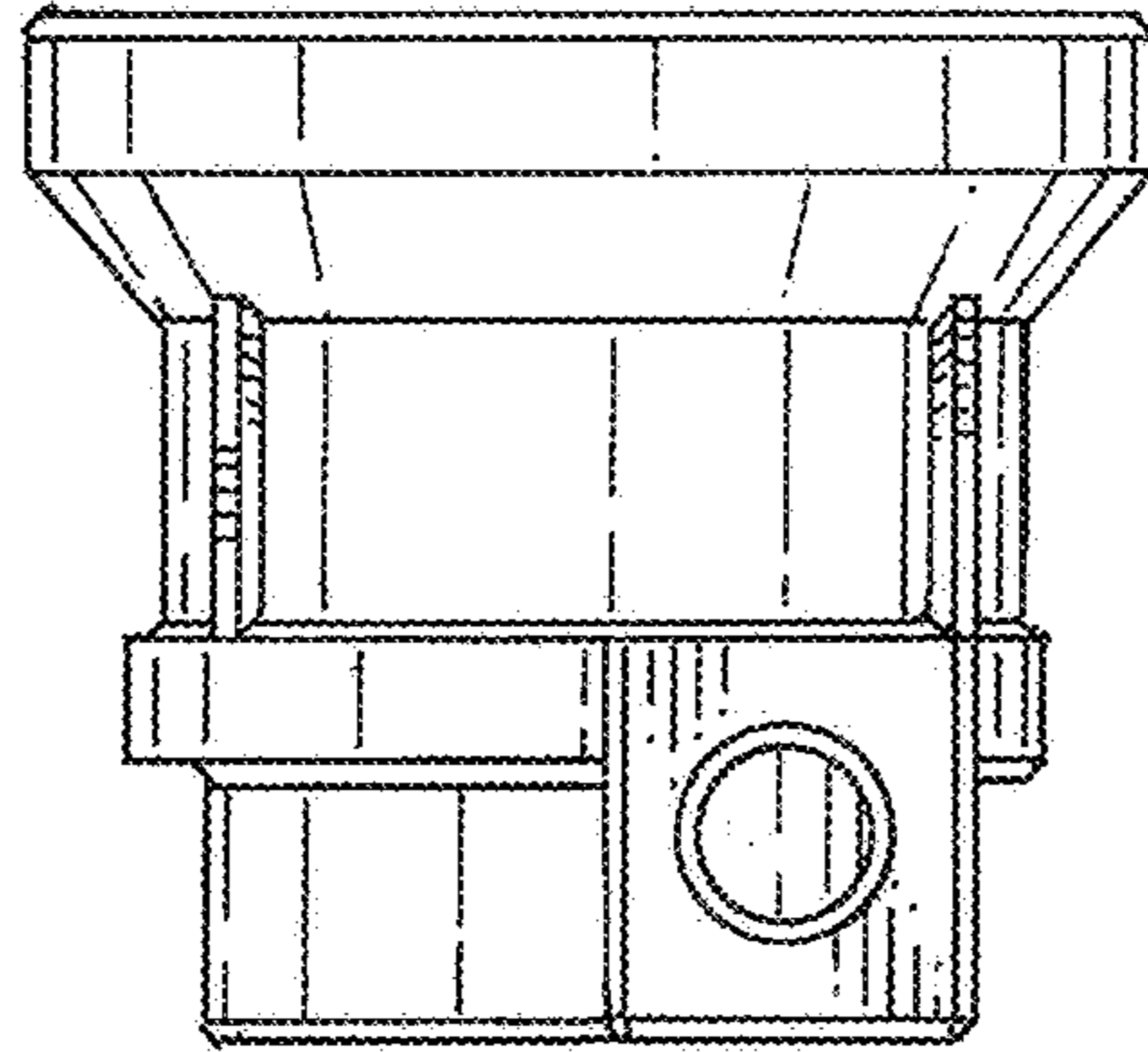


FIG. 6

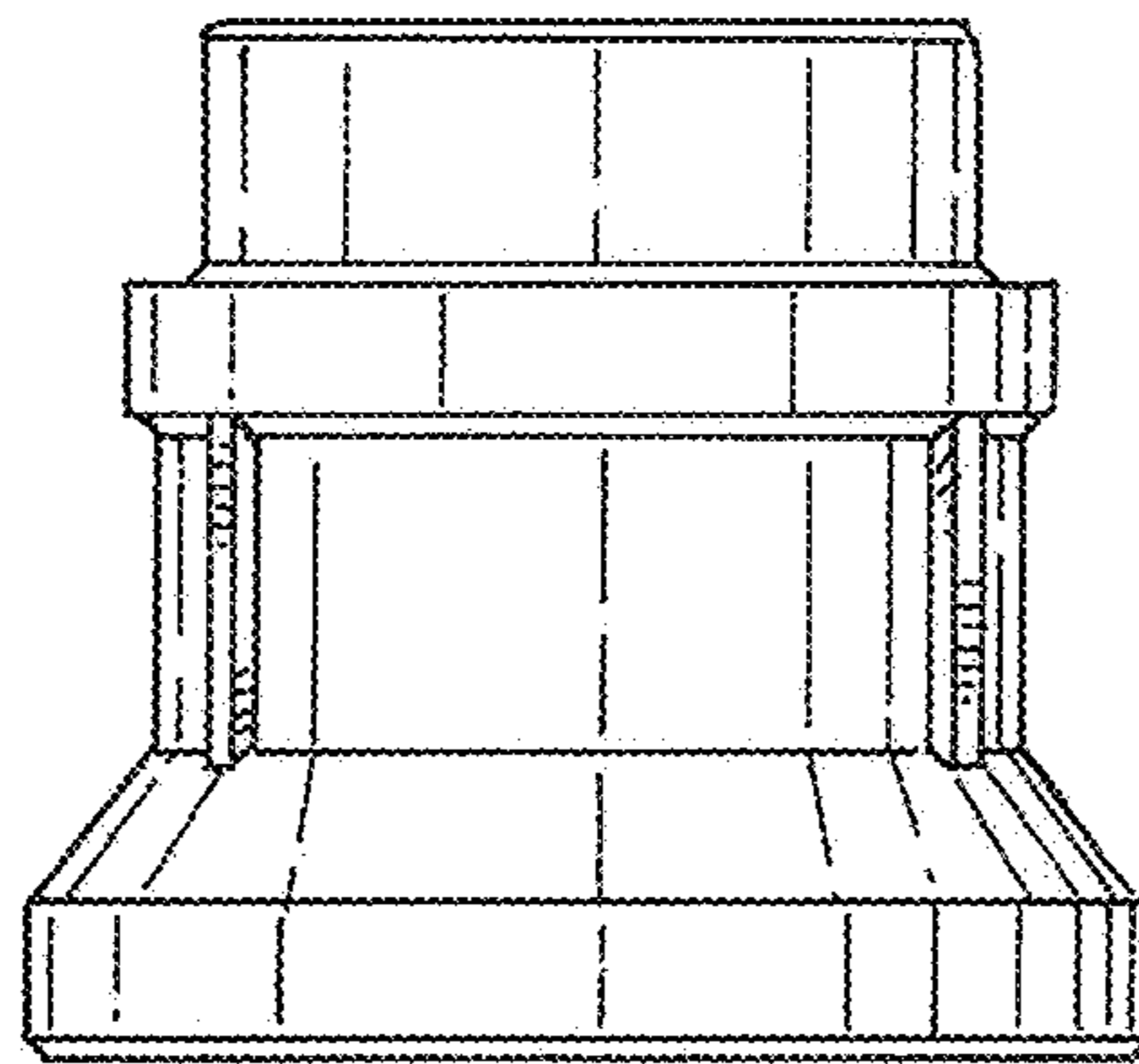


FIG. 7