



US00D733063S

(12) **United States Design Patent**
Ito et al.

(10) **Patent No.:** **US D733,063 S**
(45) **Date of Patent:** **** Jun. 30, 2015**

(54) **OPTOELECTRONIC CONVERTING CONNECTOR FOR OPTICAL FIBERS**

(71) Applicant: **Kabushiki Kaisha Toshiba**, Minato-ku, Tokyo (JP)

(72) Inventors: **Masaki Ito**, Buzen (JP); **Atsushi Takeshita**, Buzen (JP); **Yuichi Tagami**, Buzen (JP)

(73) Assignee: **Kabushiki Kaisha Toshiba**, Minato-ku, Tokyo (JP)

(**) Term: **14 Years**

(21) Appl. No.: **29/459,856**

(22) Filed: **Jul. 3, 2013**

(30) **Foreign Application Priority Data**

Jan. 8, 2013 (JP) 2013-000079

(51) **LOC (10) Cl.** **13-03**

(52) **U.S. Cl.**
USPC **D13/149**

(58) **Field of Classification Search**
USPC D13/101, 110, 117, 118, 129, 133, 146,
D13/147, 149, 153, 154, 183, 184, 199;
439/246, 405, 417, 445, 465, 532, 533,
439/585
CPC H01R 4/10; H01R 4/18
See application file for complete search history.

(56) **References Cited**

U.S. PATENT DOCUMENTS

D298,826 S * 12/1988 Nakajo et al. D13/133
D409,576 S * 5/1999 Wood et al. D13/154
D418,109 S * 12/1999 Lok D13/133
D454,333 S * 3/2002 Ikeda et al. D13/133
D461,772 S * 8/2002 Zhou D13/133
D498,209 S * 11/2004 Wang et al. D13/133

D500,735 S * 1/2005 Shirae et al. D13/133
D539,740 S * 4/2007 Zhang et al. D13/133
D573,094 S * 7/2008 So D13/133
D584,688 S * 1/2009 Sasada et al. D13/133
D585,024 S * 1/2009 Kudo D13/133
D640,986 S * 7/2011 Gong et al. D13/154
D642,536 S * 8/2011 Robinson D13/154
D658,584 S * 5/2012 Mueller D13/133
D676,386 S * 2/2013 Gassauer D13/133
D694,191 S * 11/2013 Lien et al. D13/149

FOREIGN PATENT DOCUMENTS

JP 904383 8/1994
JP 1093539 12/2000

(Continued)

Primary Examiner — Derrick Holland

Assistant Examiner — Jennifer O King

(74) *Attorney, Agent, or Firm* — Banner & Witcoff, Ltd.

(57) **CLAIM**

The ornamental design for an optoelectronic converting connector for optical fibers, as shown and described.

DESCRIPTION

FIG. 1 is a front, top and left side perspective view of an optoelectronic converting connector for optical fibers, showing our new design;

FIG. 2 is a rear, bottom and right side perspective view thereof;

FIG. 3 is a front elevational view thereof;

FIG. 4 is a rear elevational view thereof;

FIG. 5 is a top plan view thereof;

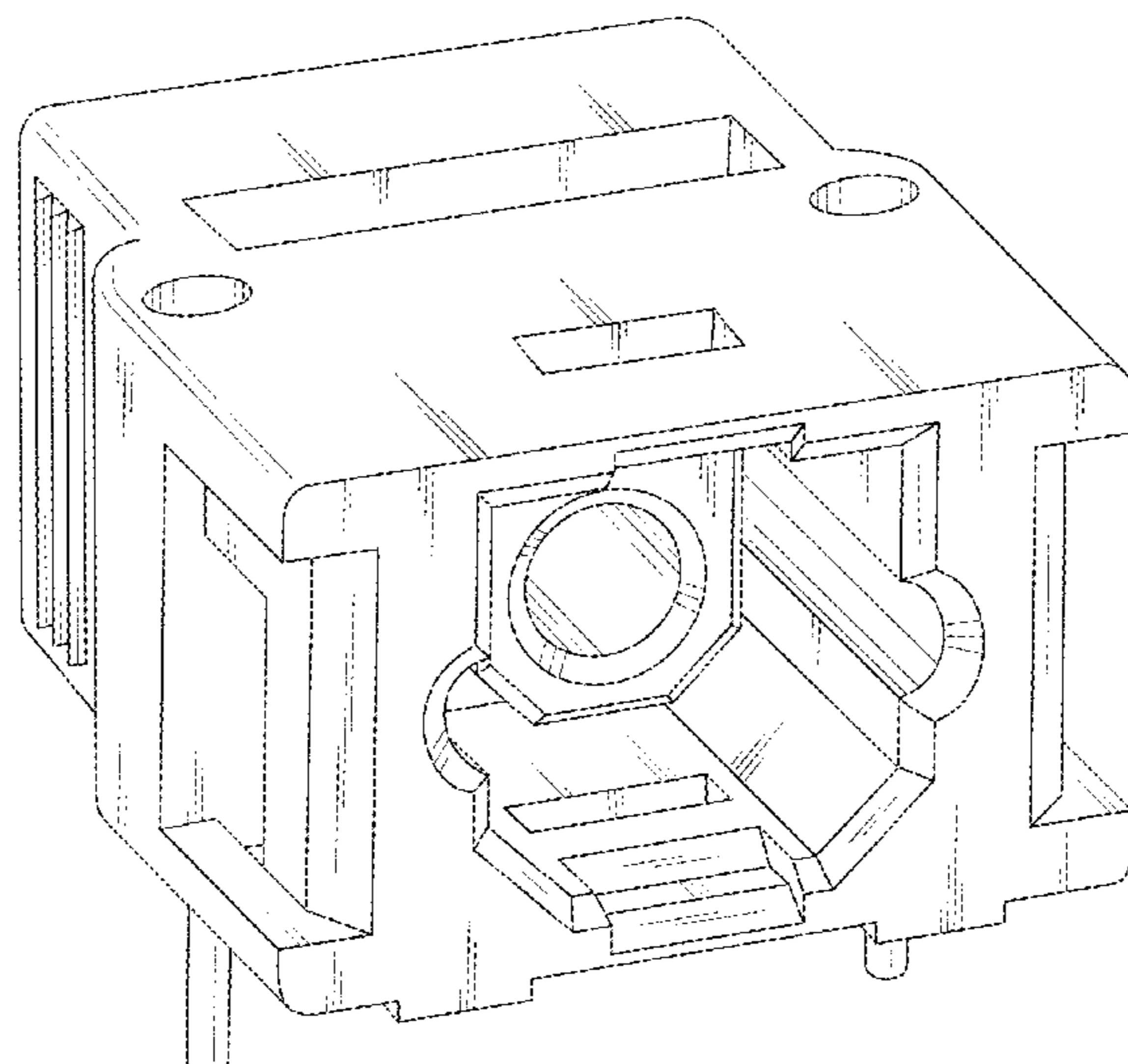
FIG. 6 is a bottom plan view thereof;

FIG. 7 is a right side elevational view thereof; the opposite side being a mirror image thereof; and,

FIG. 8 is an enlarged cross sectional view thereof, taken along the line 8-8 in FIG. 3.

The broken lines shown in FIG. 8 represent unclaimed subject matter only and form no part of the claim.

1 Claim, 8 Drawing Sheets



(56)

References Cited

FOREIGN PATENT DOCUMENTS

JP 1095518 1/2001
JP 1099790 2/2001
JP 1187800 10/2003

JP 1203385 4/2004
JP 1216984 9/2004
JP 1224596 12/2004
JP 1256093 11/2005
JP 1310666 9/2007
JP 1310767 9/2007

* cited by examiner

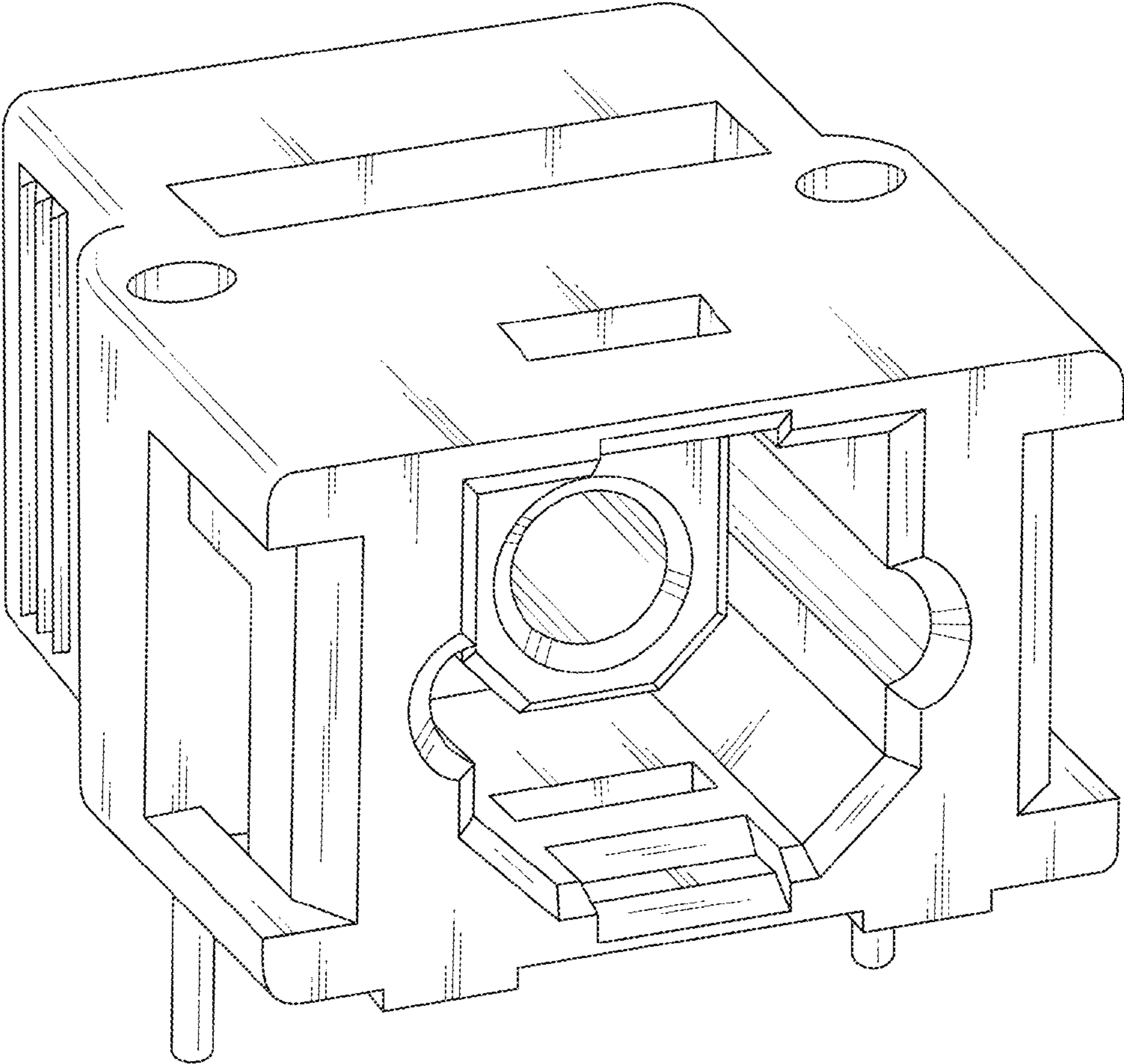


FIG. 1

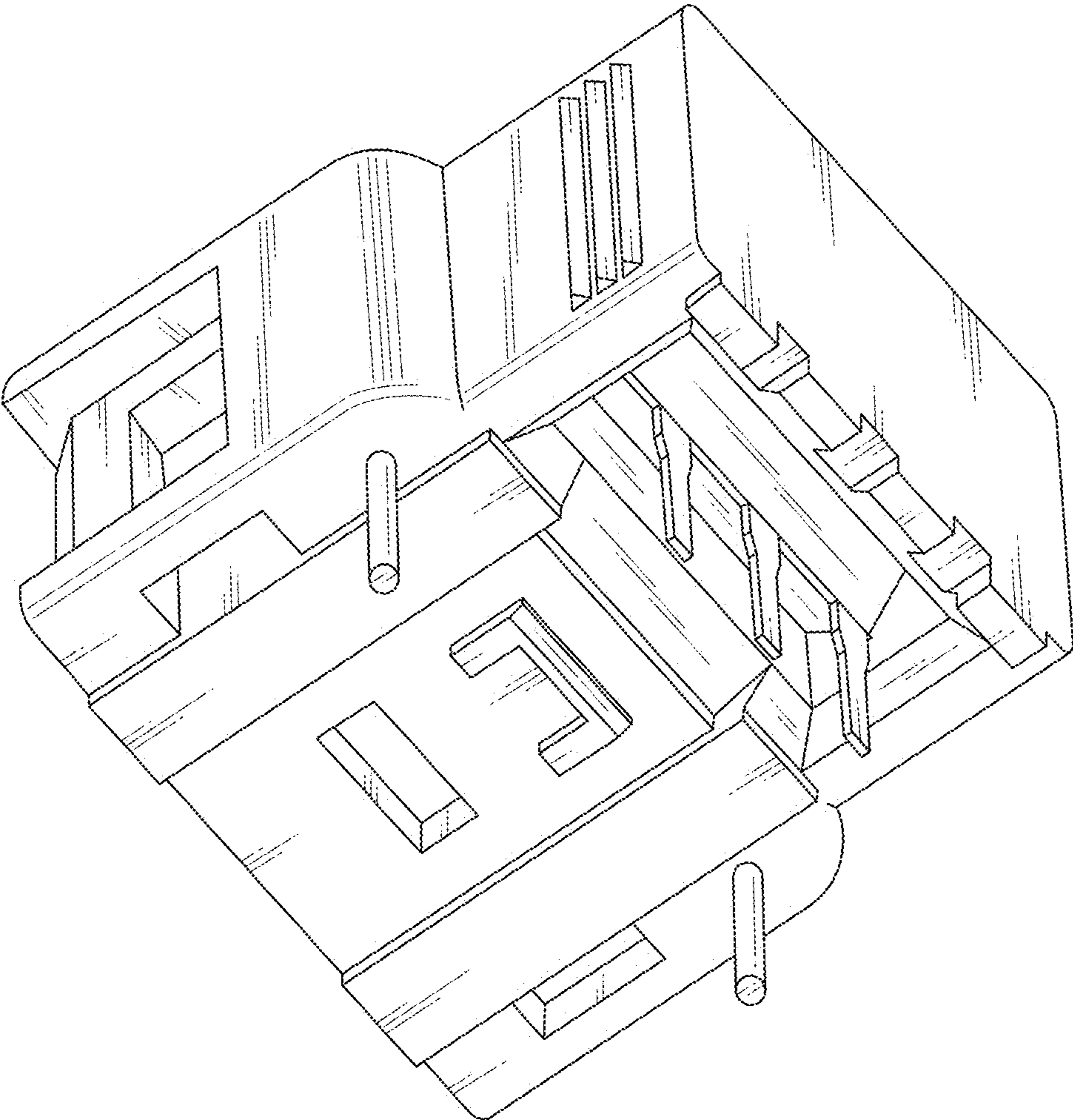


FIG. 2

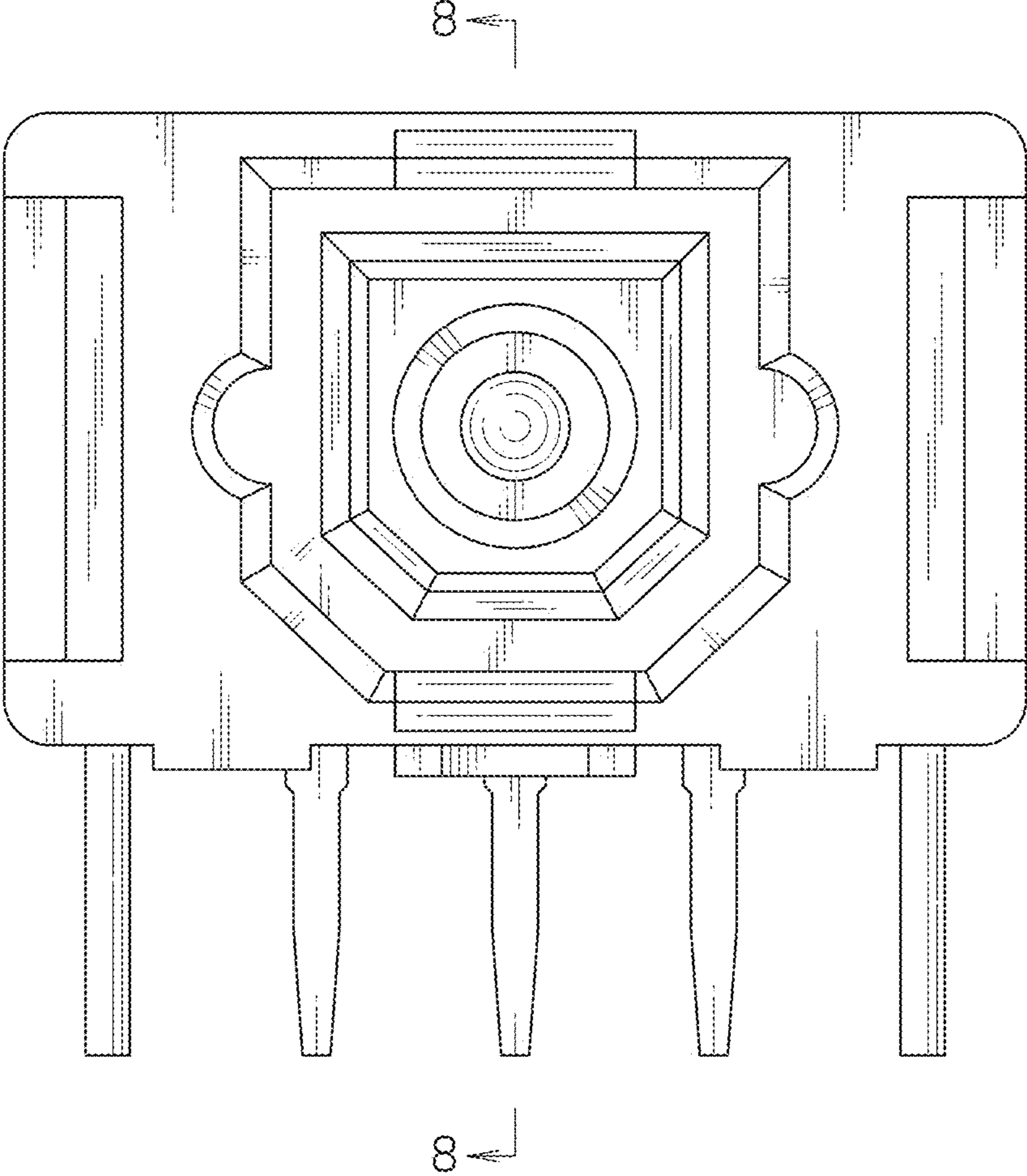


FIG. 3

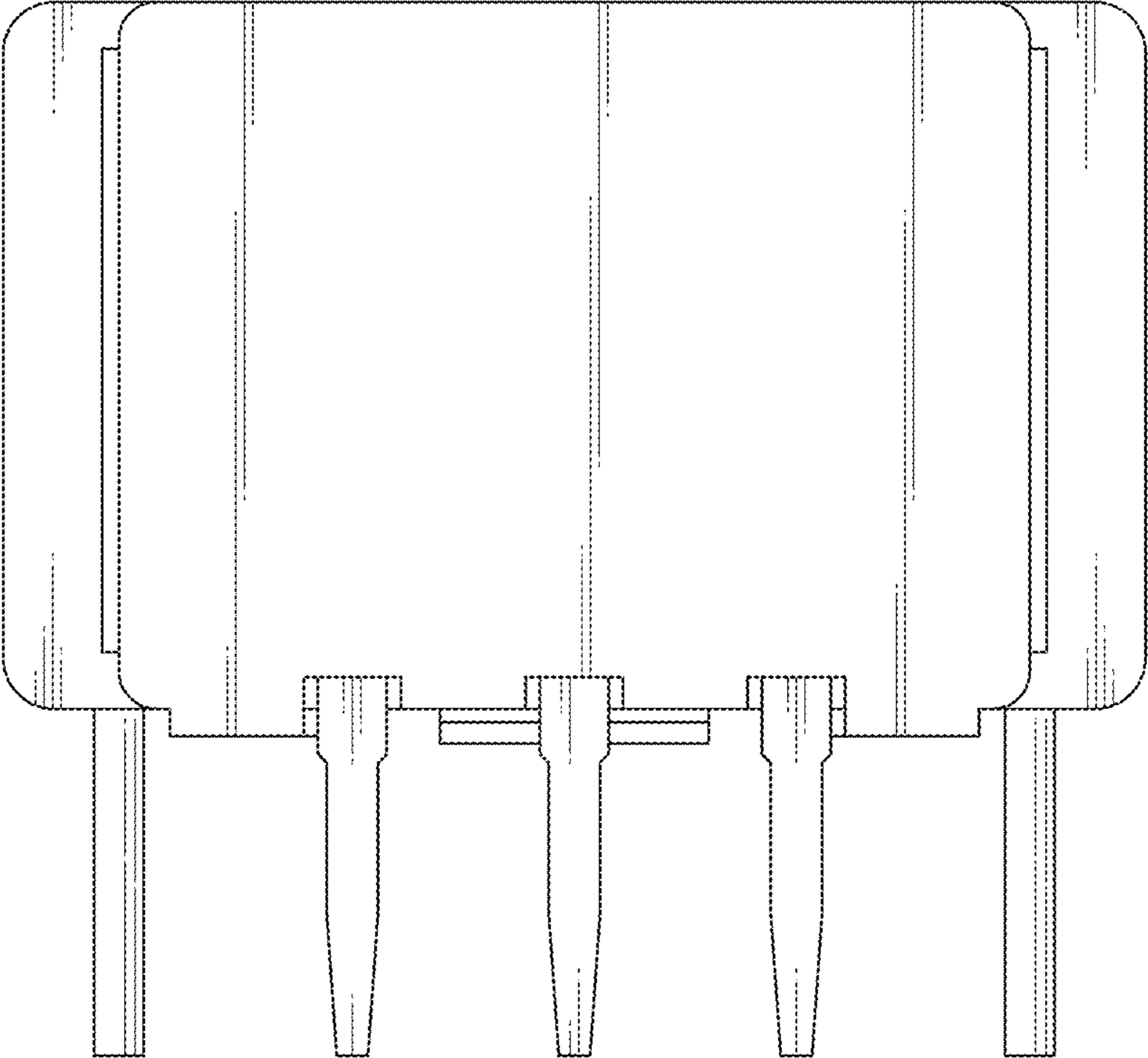


FIG. 4

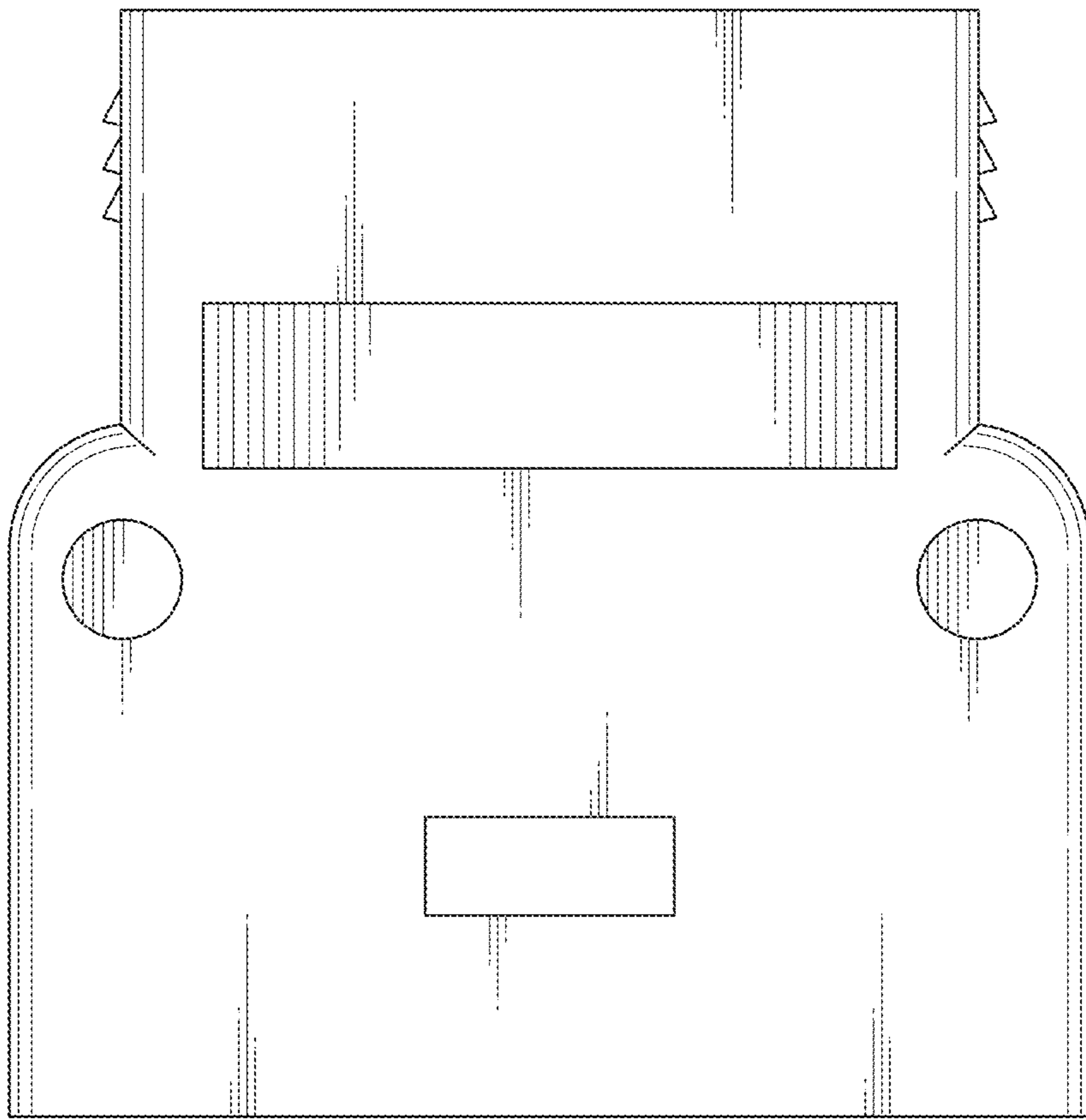


FIG. 5

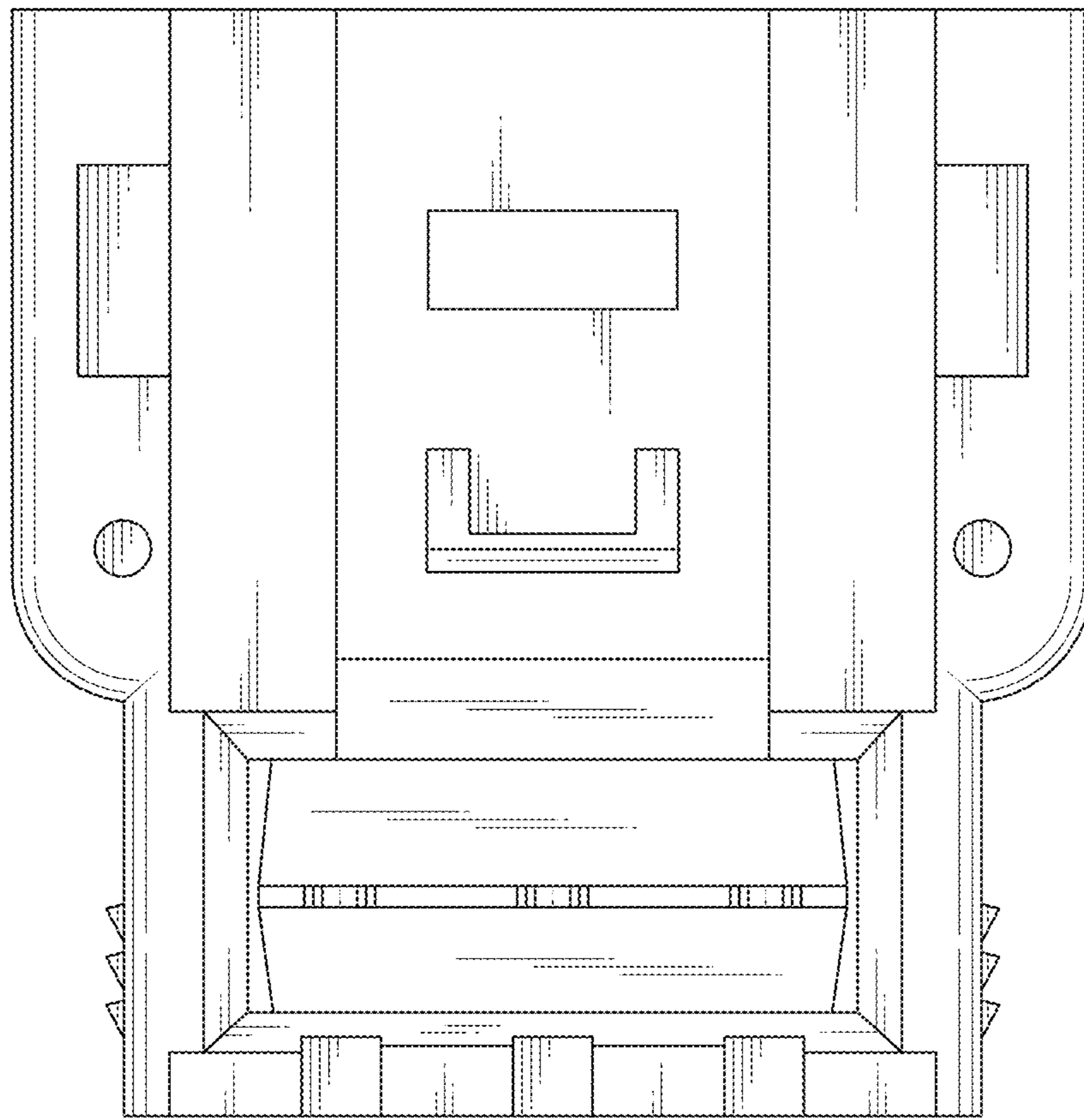


FIG. 6



FIG. 7

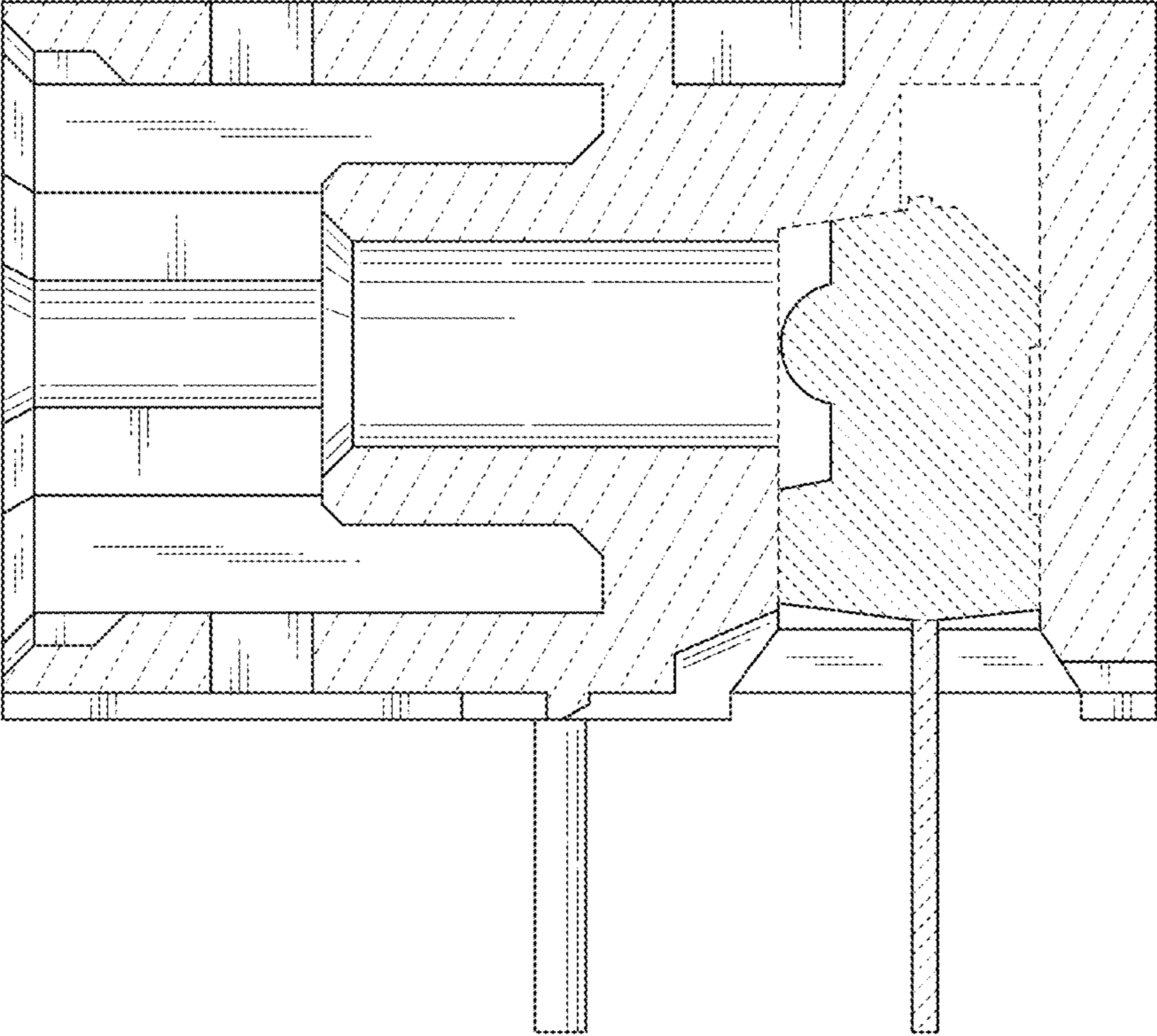


FIG. 8