



US00D733060S

(12) **United States Design Patent**
Harper, Jr.

(10) **Patent No.:** **US D733,060 S**
(45) **Date of Patent:** **** Jun. 30, 2015**

(54) **VERTICAL ELECTRICAL CONNECTOR**

(74) *Attorney, Agent, or Firm* — Baker & Hostetler LLP

(71) Applicant: **Donald K. Harper, Jr.**, York, PA (US)

(57) **CLAIM**

The ornamental design for a vertical electrical connector, as shown and described.

(72) Inventor: **Donald K. Harper, Jr.**, York, PA (US)

(73) Assignee: **FCI AMERICAS TECHNOLOGY LLC**, Carson City, NV (US)

DESCRIPTION

(**) Term: **14 Years**

(21) Appl. No.: **29/507,844**

(22) Filed: **Oct. 31, 2014**

Related U.S. Application Data

(63) Continuation of application No. 29/439,437, filed on Dec. 11, 2012, now Pat. No. Des. 718,248.

(51) **LOC (10) Cl.** **13-03**

(52) **U.S. Cl.**
USPC **D13/147**

(58) **Field of Classification Search**

USPC D13/147, 154, 184, 199; 439/74, 108, 439/180, 246, 252, 278, 374, 378, 379, 381, 439/527, 529, 533, 660, 717, 865-894, 439/953; 174/16.3; 257/697, 727; 361/769
See application file for complete search history.

FIG. 1 is a top, right, front perspective view of a first embodiment of a vertical electrical connector showing my design; FIG. 2 is another top, right, front perspective view of thereof; FIG. 3 is a bottom, left, front perspective view thereof; FIG. 4 is a top, right, rear perspective view thereof; FIG. 5 is a bottom, left, rear perspective view thereof; FIG. 6 is a right side elevation view thereof; FIG. 7 is a left side elevation view thereof; FIG. 8 is a front elevation view thereof; FIG. 9 is a rear elevation view thereof; FIG. 10 is a bottom plan view thereof; and FIG. 11 is a top plan view thereof.

FIG. 12 is a top, right, front perspective view of a second embodiment of a vertical electrical connector showing my design; FIG. 13 is another top, right, front perspective view of thereof; FIG. 14 is a bottom, left, front perspective view thereof; FIG. 15 is a top, right, rear perspective view thereof; FIG. 16 is a bottom, left, rear perspective view thereof; FIG. 17 is a right side elevation view thereof; FIG. 18 is a left side elevation view thereof; FIG. 19 is a front elevation view thereof; FIG. 20 is a rear elevation view thereof; FIG. 21 is a bottom plan view thereof; and, FIG. 22 is a top plan view thereof.

The even-broken line in the figure drawings is included to show unclaimed environment and forms no part of the claimed design. The dash-dot broken line represents the boundary of the claimed design.

In a preferred embodiment, the nature of this product is an electrical component that can take the form of a vertical electrical connector and a connector housing therefor.

(56) **References Cited**

U.S. PATENT DOCUMENTS

| | | |
|------------|---------|---------------|
| D205,509 S | 8/1966 | Reynolds |
| D210,829 S | 4/1968 | Hanlon et al. |
| D497,343 S | 10/2004 | Busse et al. |
| D598,389 S | 8/2009 | Yu et al. |
| D608,292 S | 1/2010 | Stütz |

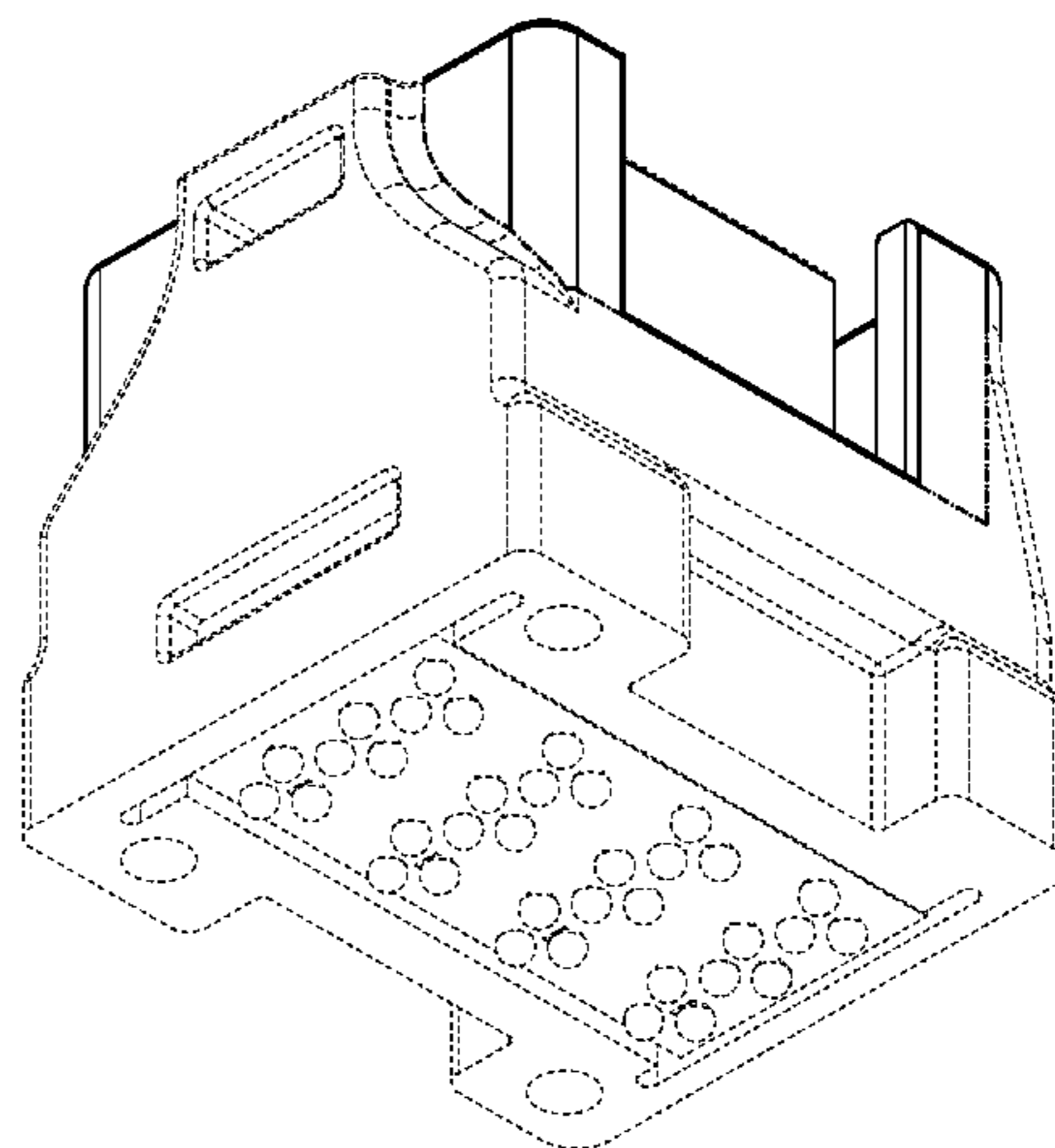
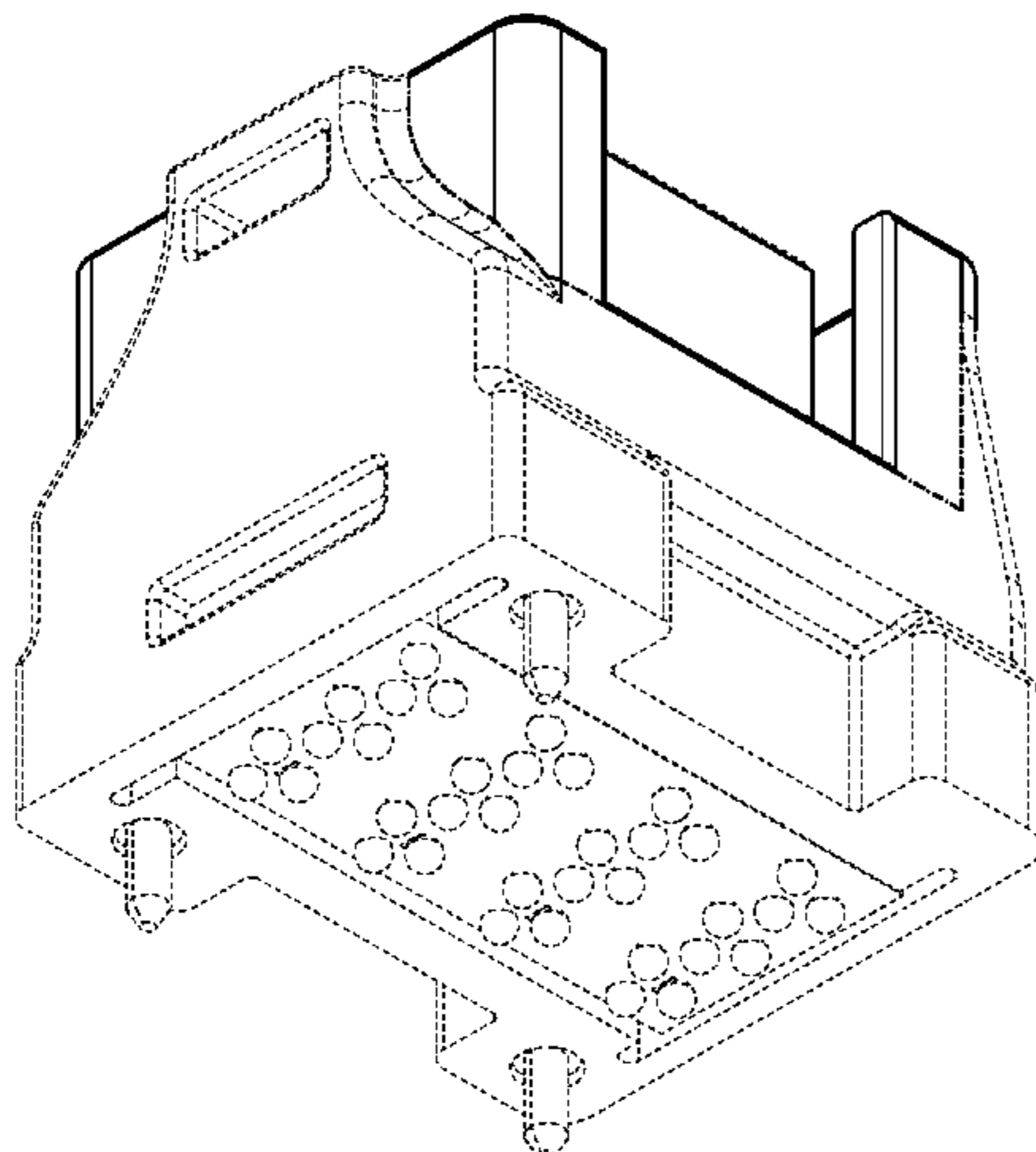
(Continued)

OTHER PUBLICATIONS

SFF-Committee, "Mini Multilane 12 Gbs 8/4X Unshielded Connector," SFF-8643 Rev. 2.3, Jan. 11, 2011, 24 pages.

Primary Examiner — Daniel Bui

1 Claim, 12 Drawing Sheets



(56)

References Cited

U.S. PATENT DOCUMENTS

| | | | | | |
|------------|-----------|------------------|-----------------|---------|---------------------|
| D611,906 S | 3/2010 | Takada et al. | D718,249 S | 11/2014 | Lord |
| D611,907 S | 3/2010 | Takada et al. | D718,250 S | 11/2014 | Lord |
| D718,243 S | 11/2014 | Scholeno | 2004/0161954 A1 | 8/2004 | Johnescu et al. |
| D718,248 S | * 11/2014 | Harper, Jr. | 2006/0160425 A1 | 7/2006 | Fuerst |
| | | | 2012/0034820 A1 | 2/2012 | Lang et al. |
| | | | 2012/0258633 A1 | 10/2012 | Johnson et al. |
| | | | D13/147 | | * cited by examiner |

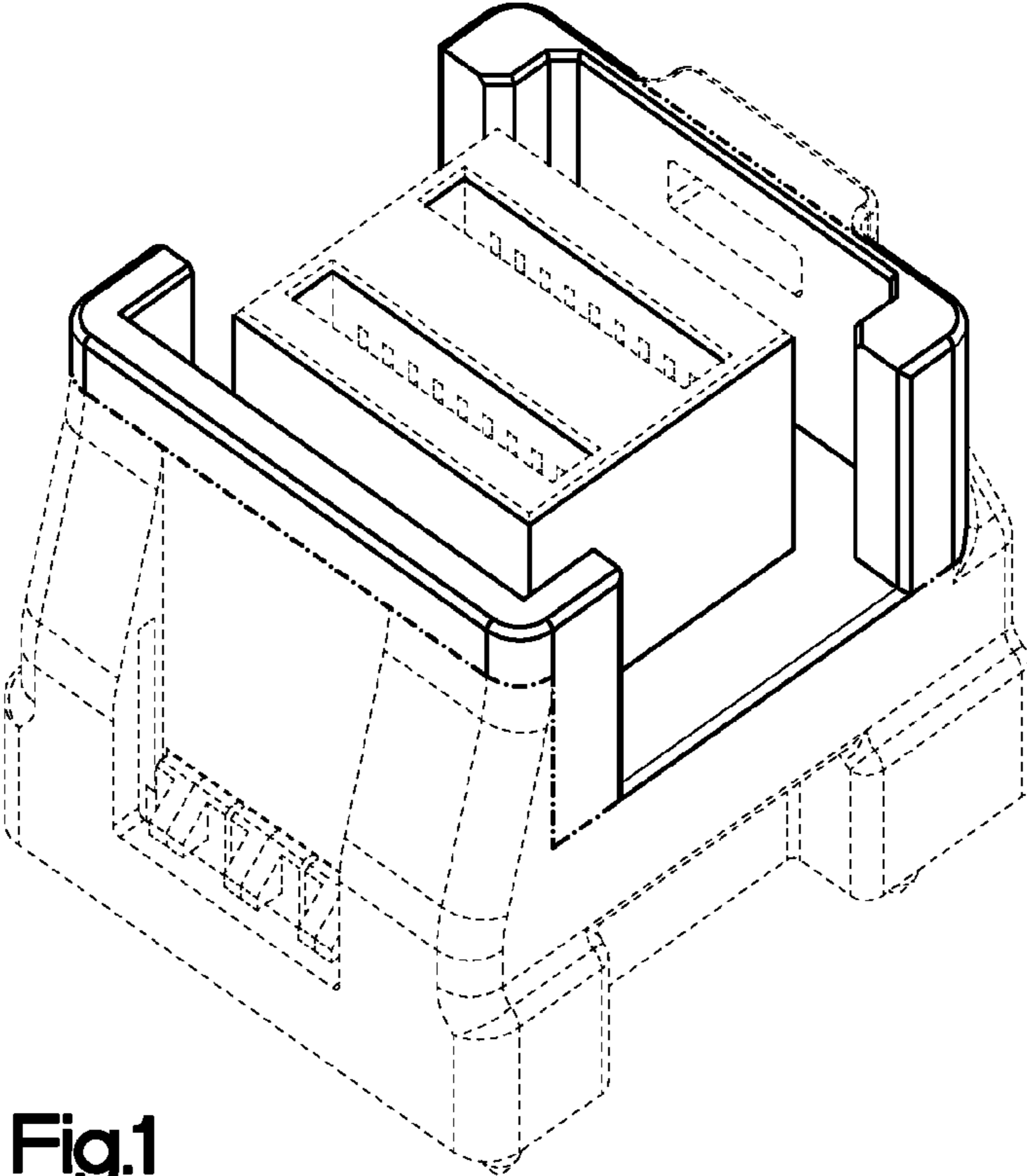


Fig.1

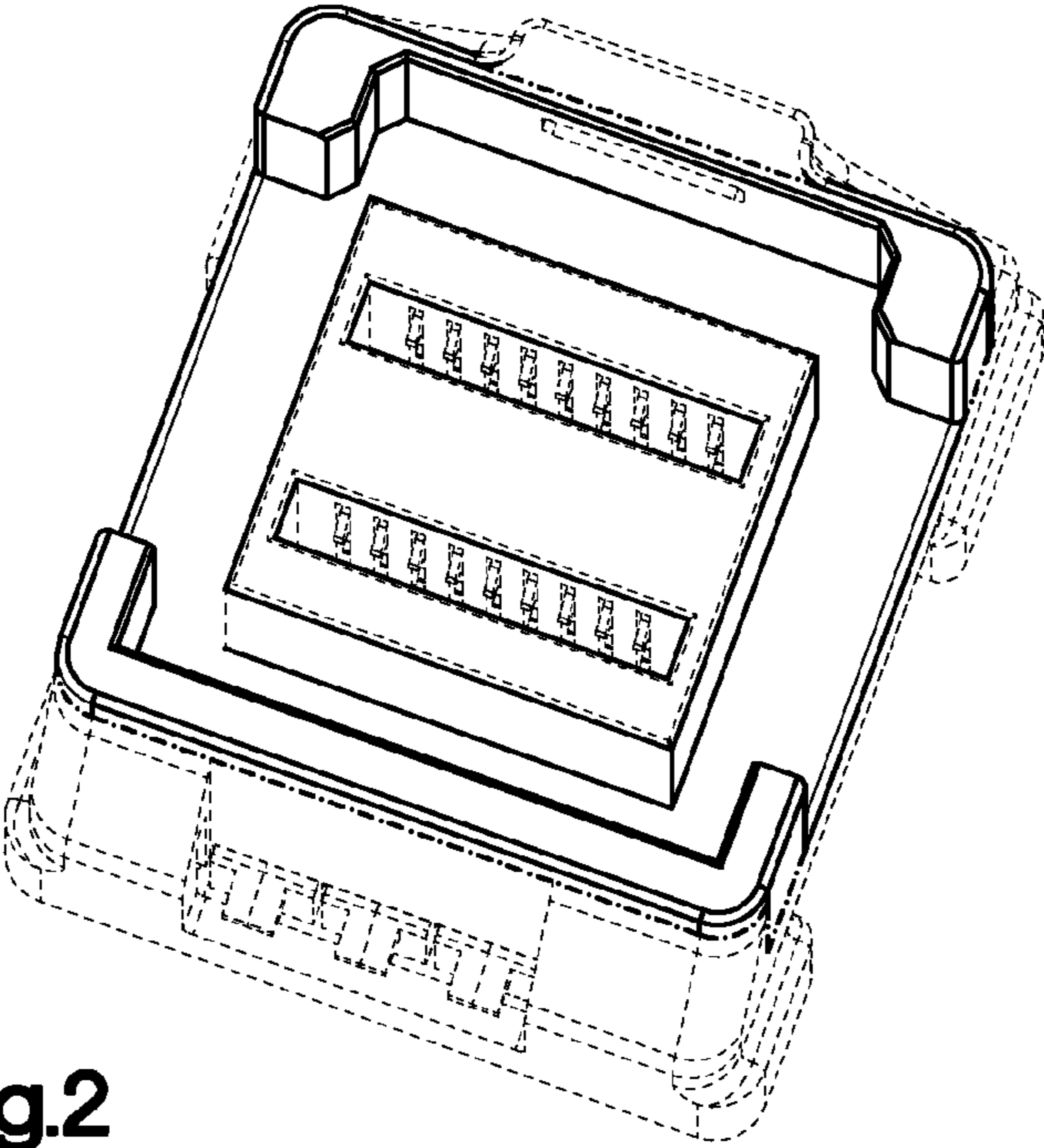


Fig.2

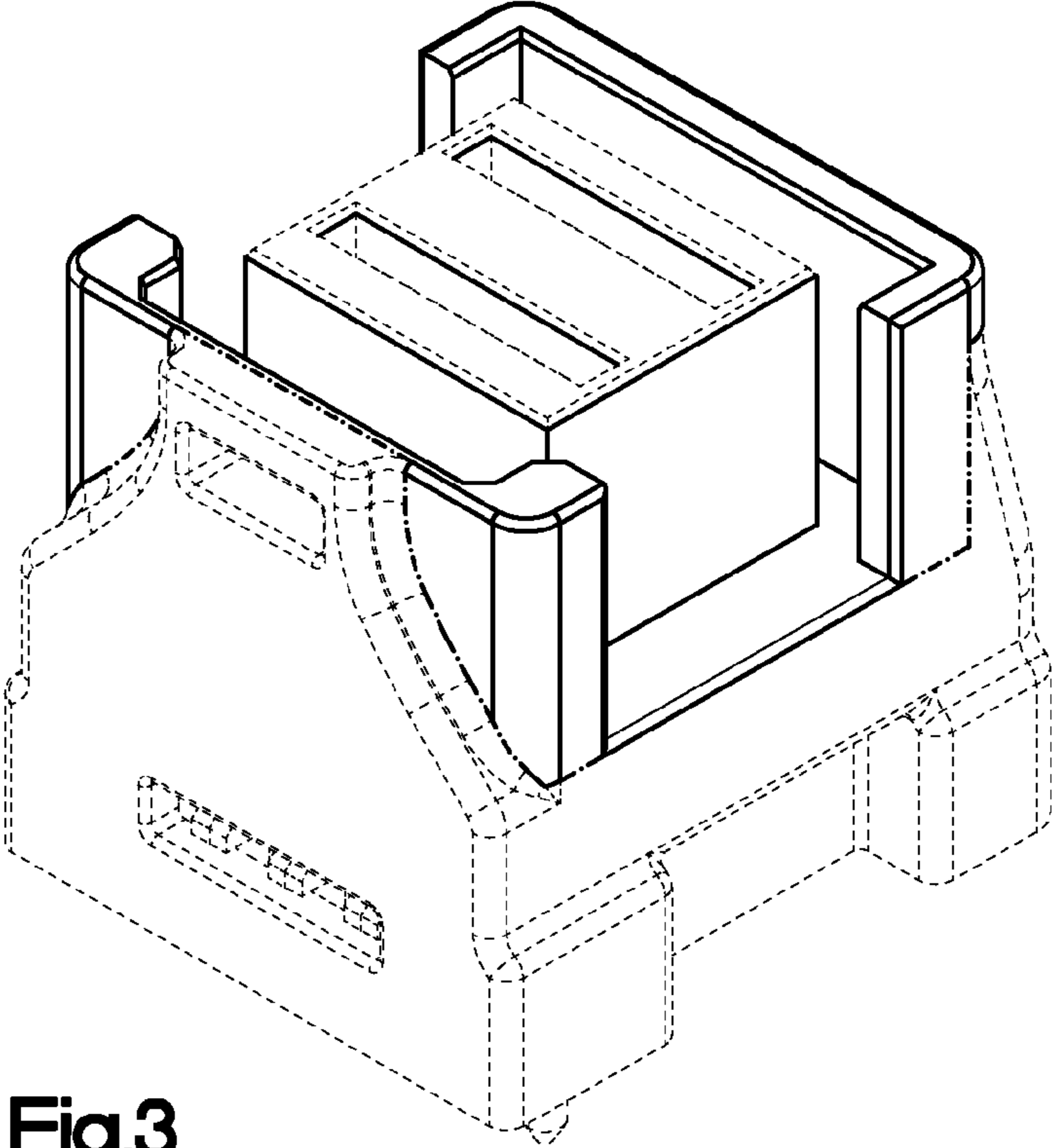


Fig.3

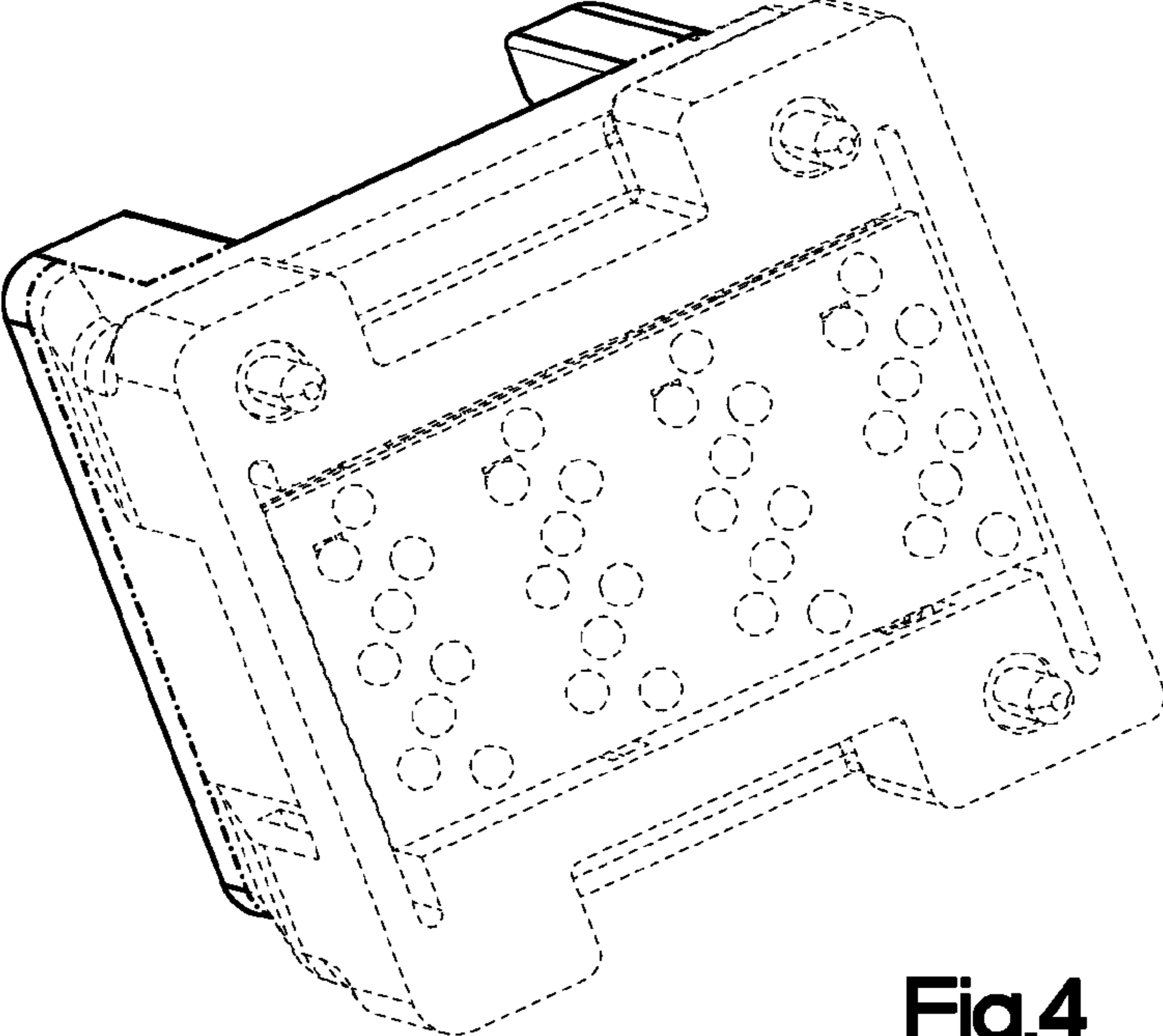


Fig.4

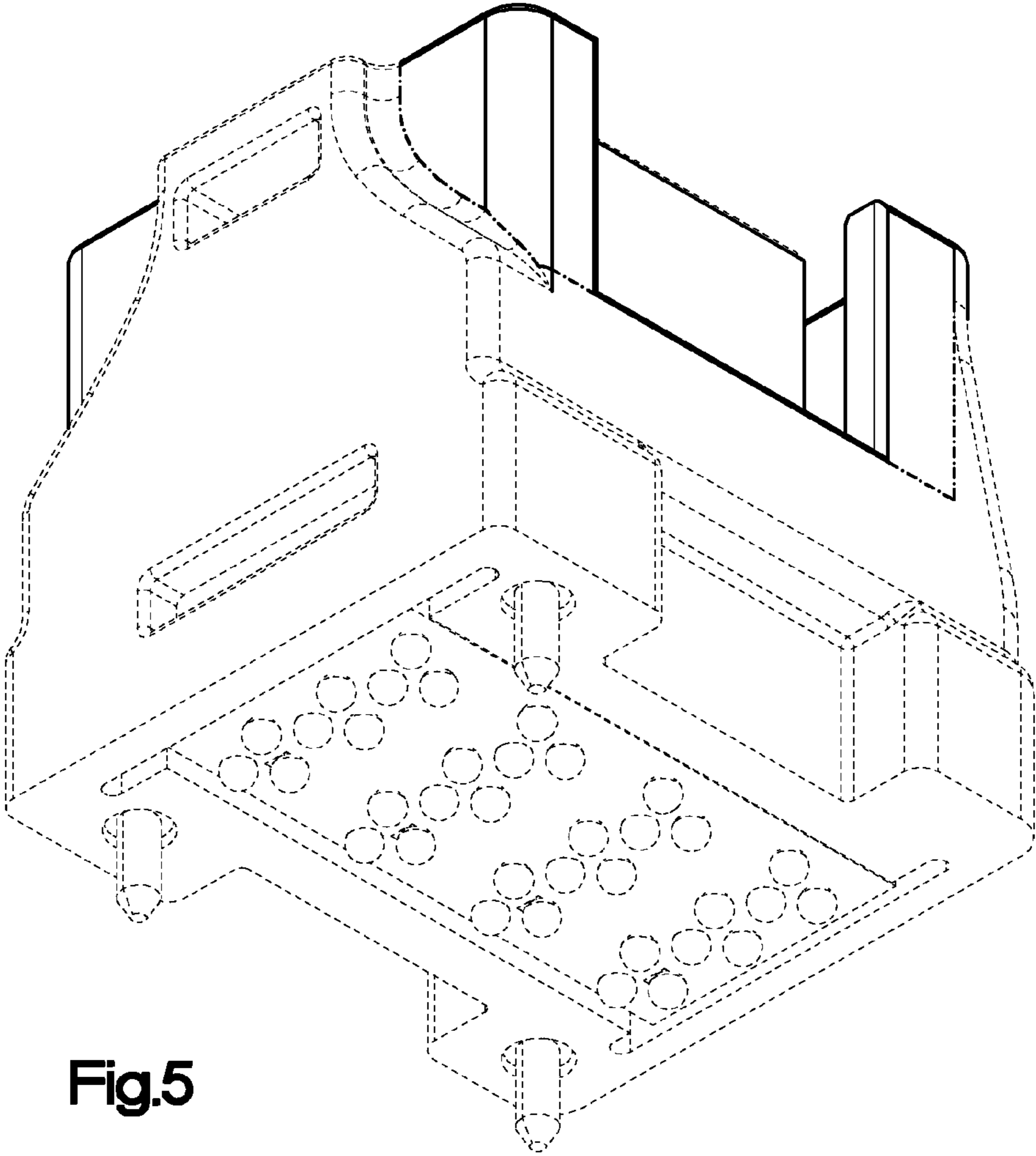


Fig.5

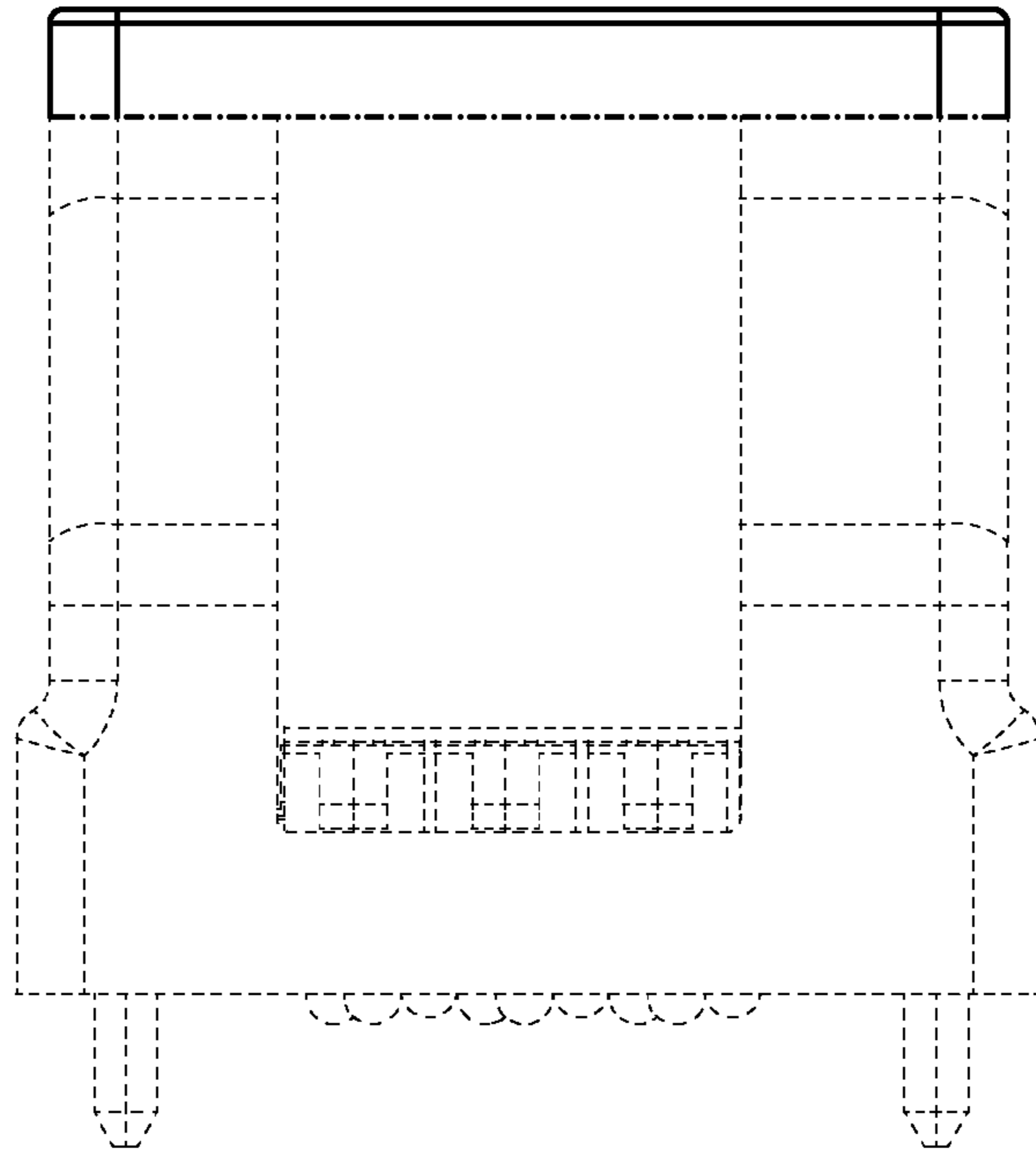


Fig.6

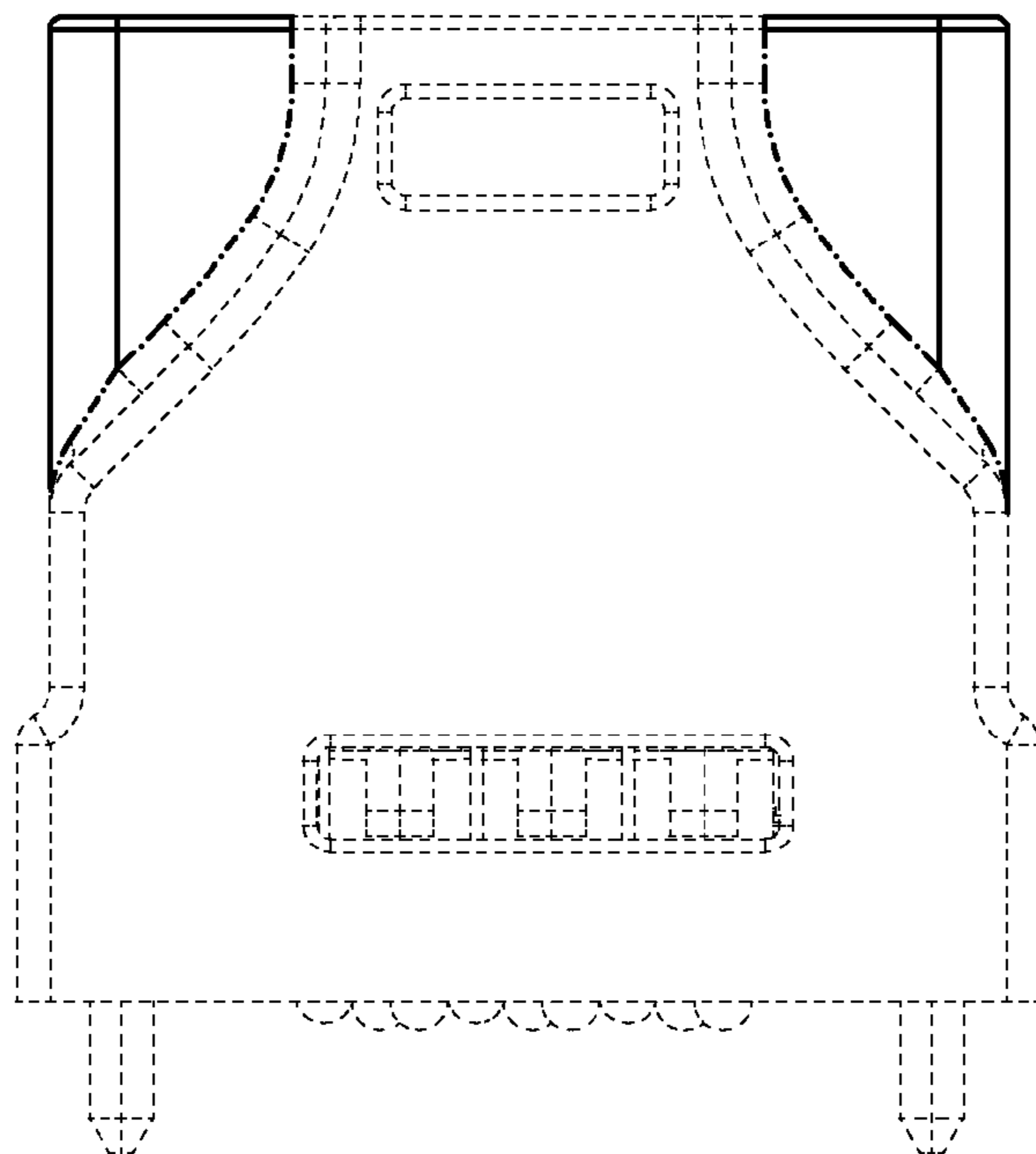


Fig.7

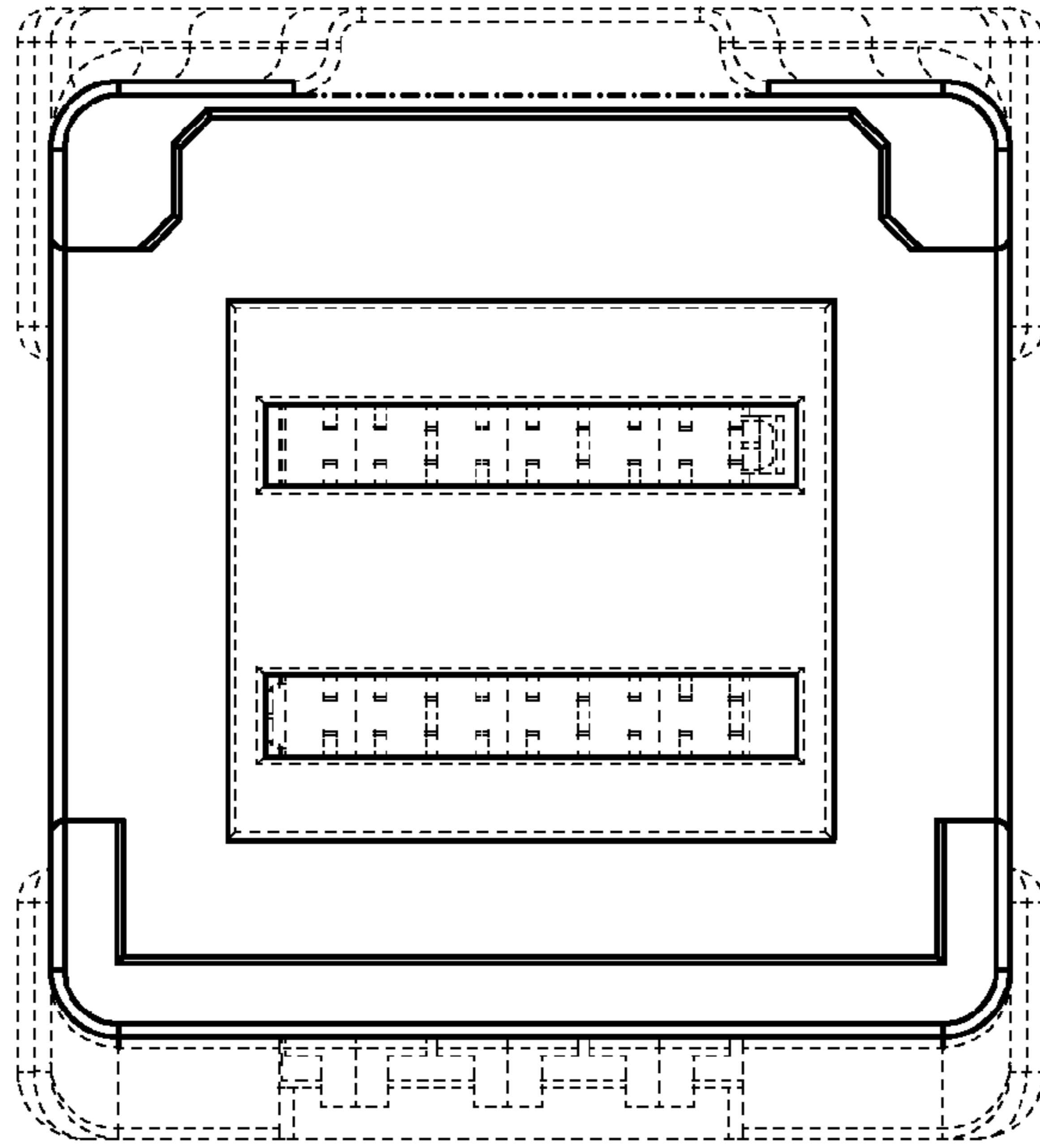


Fig.8

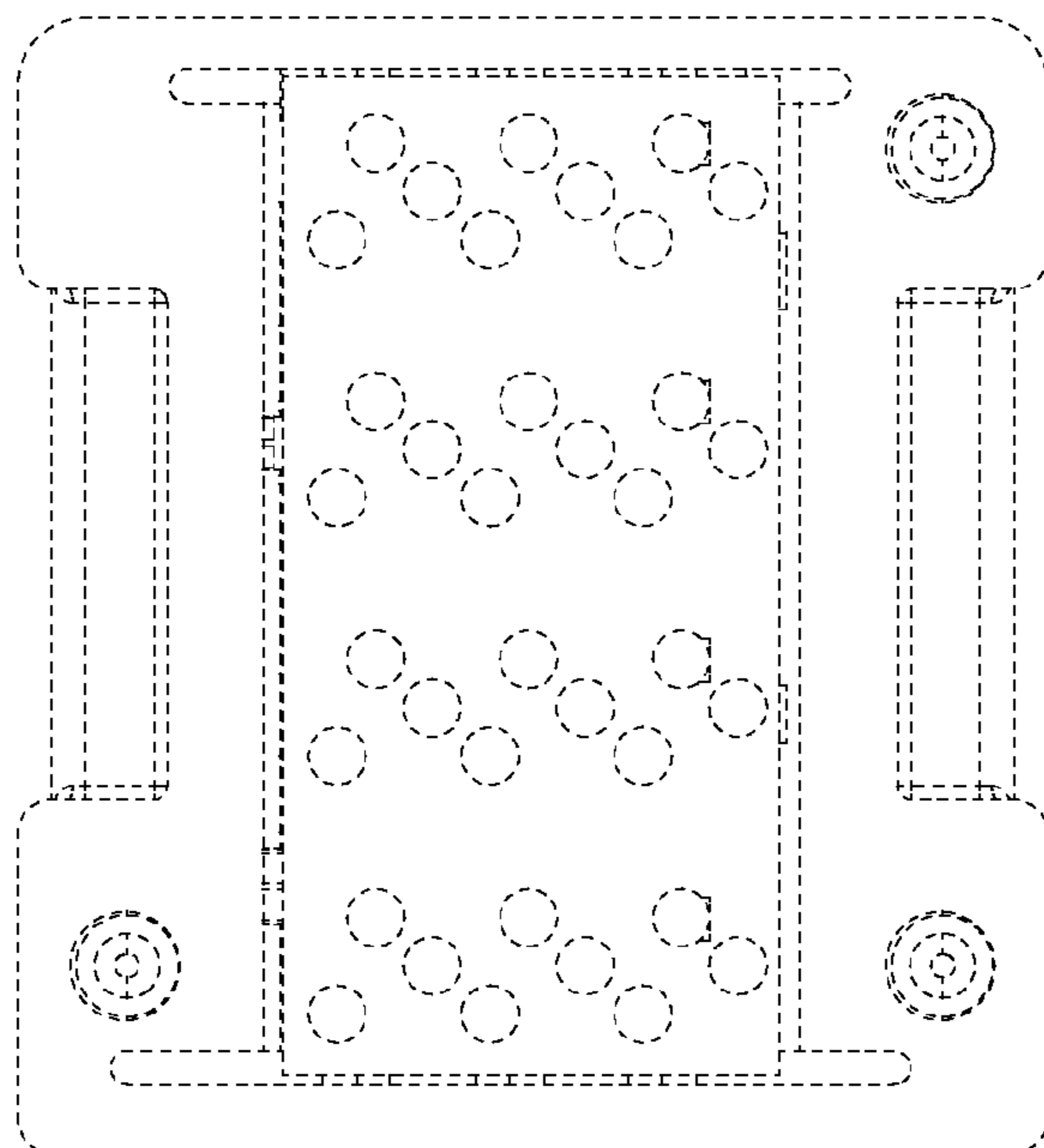


Fig.9

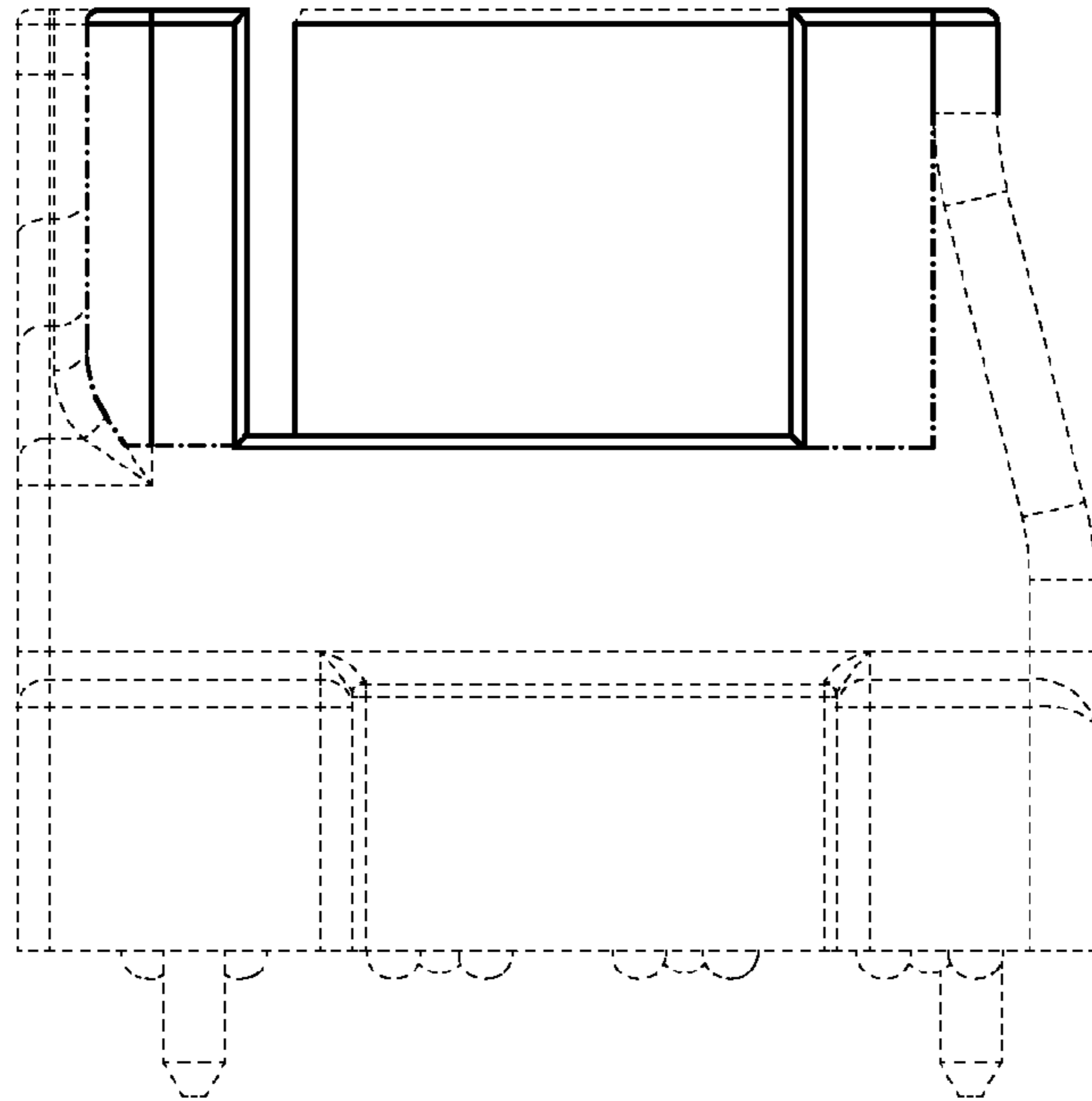


Fig.10

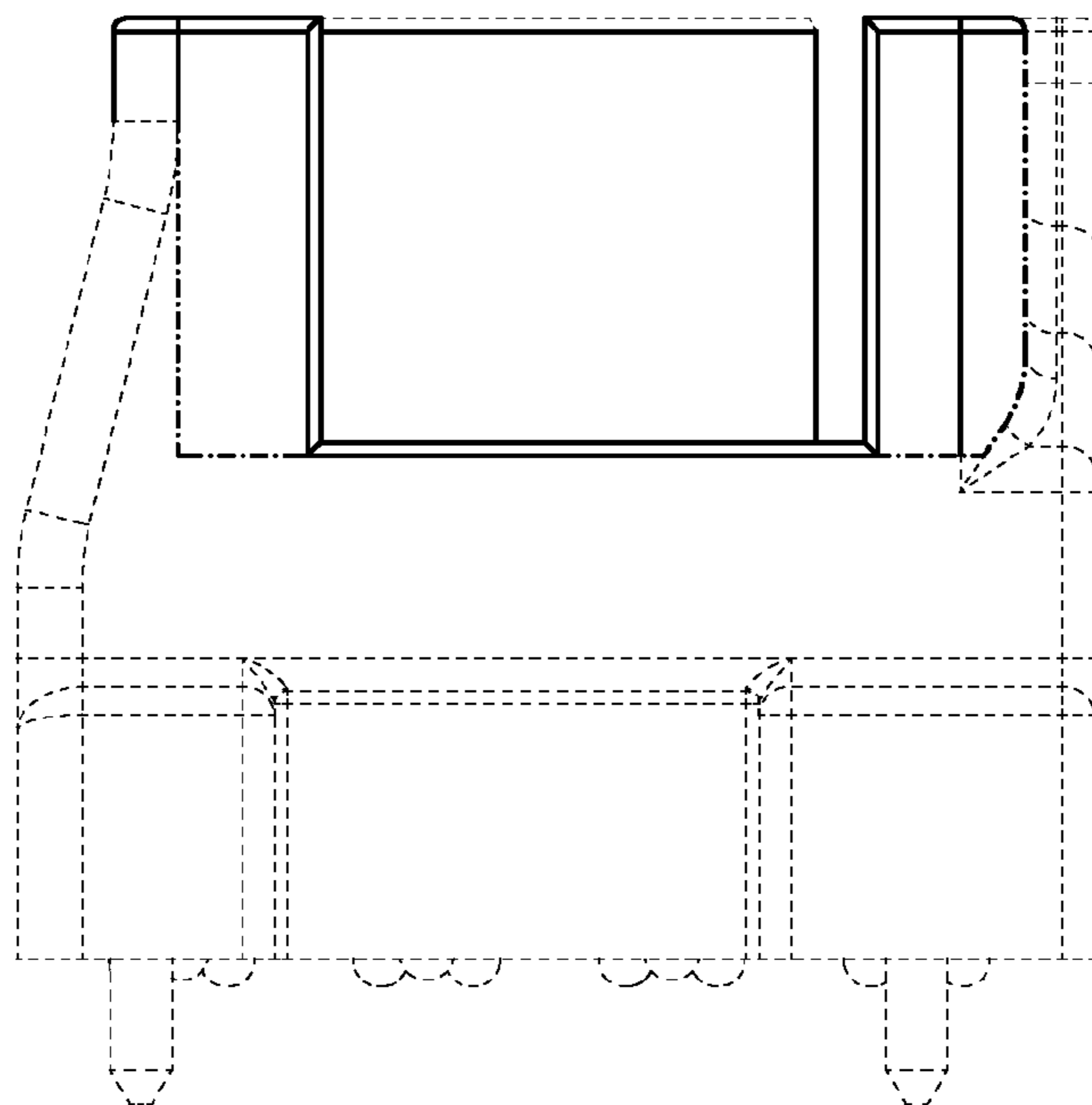


Fig.11

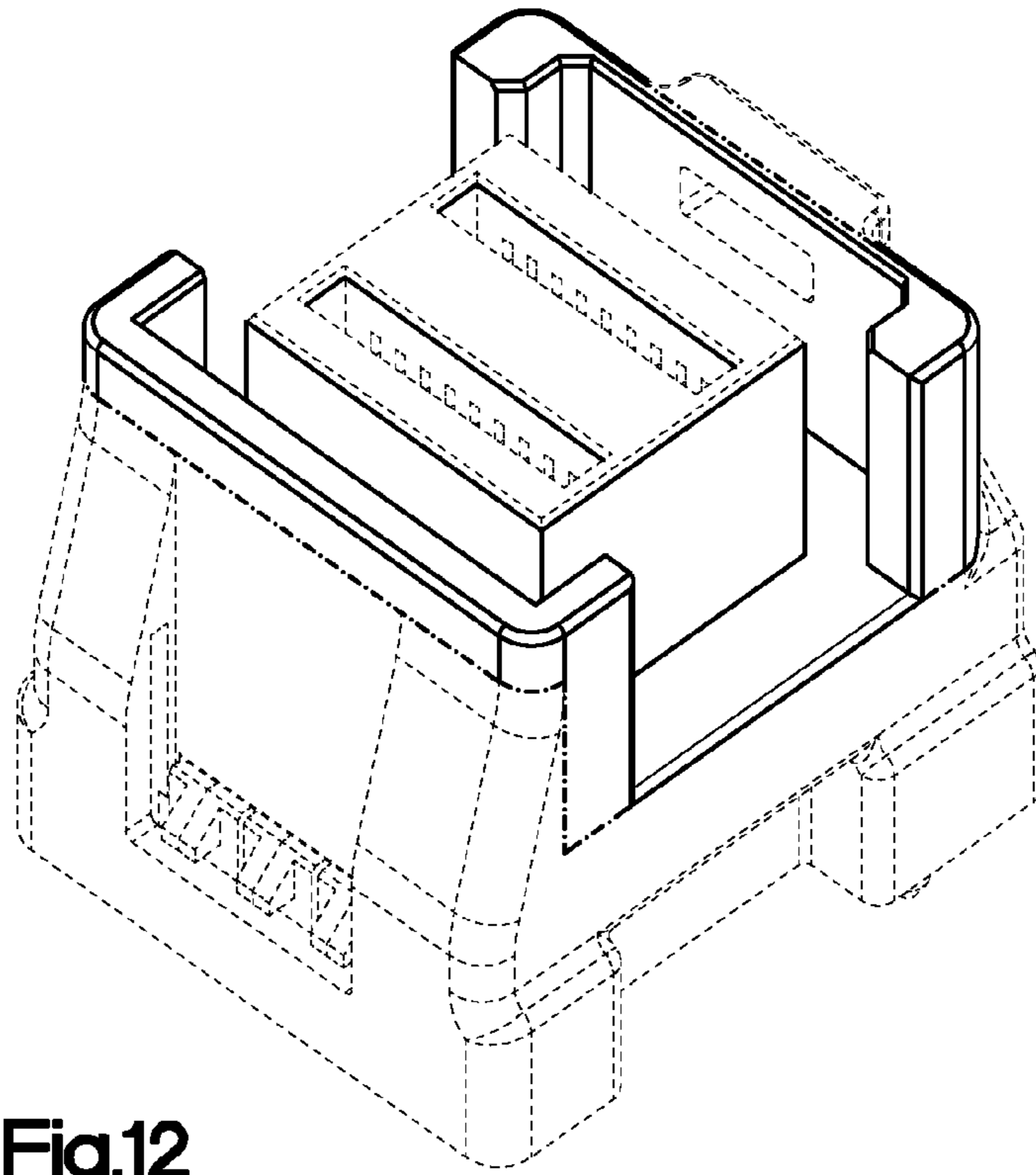


Fig.12

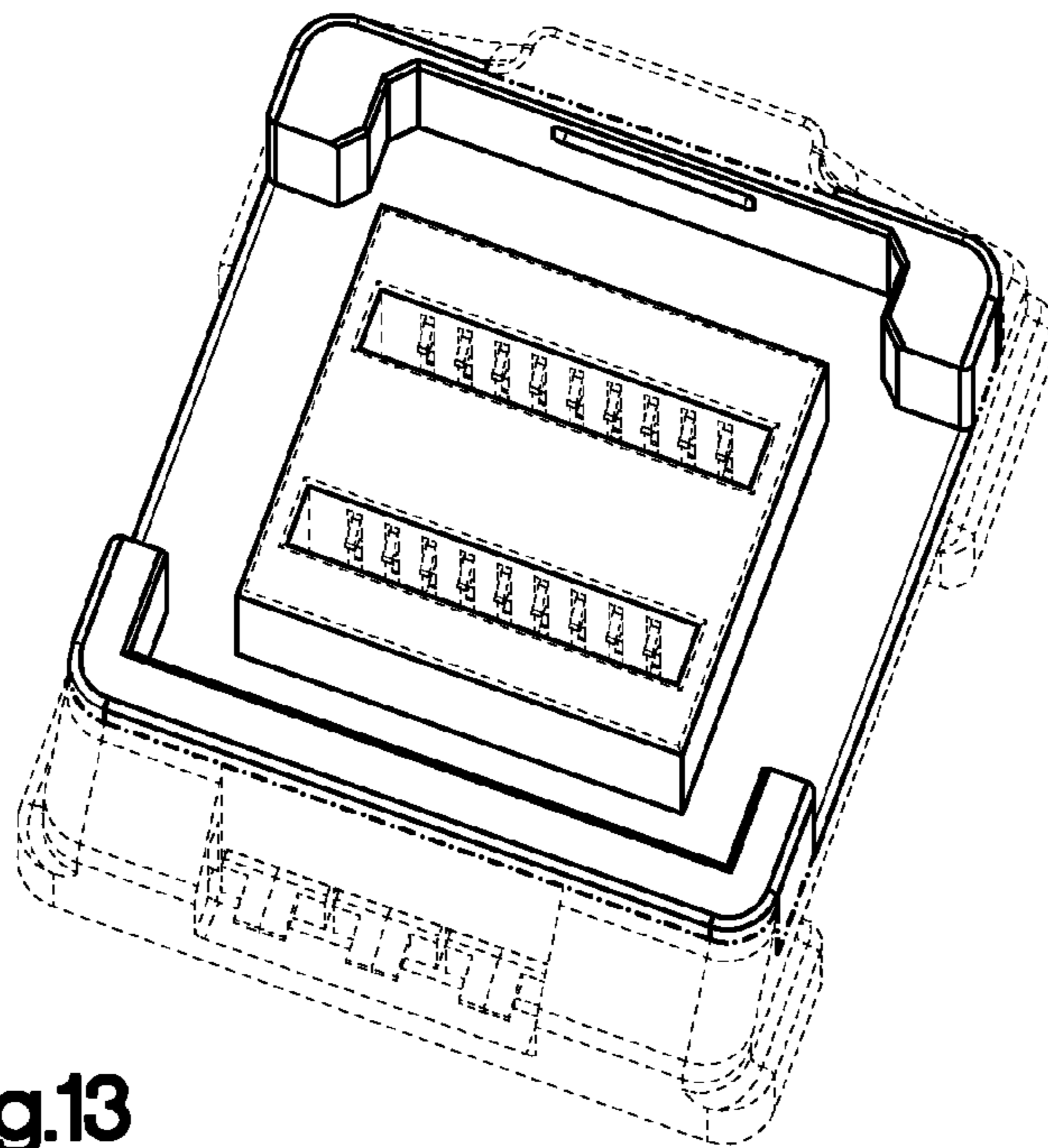


Fig.13

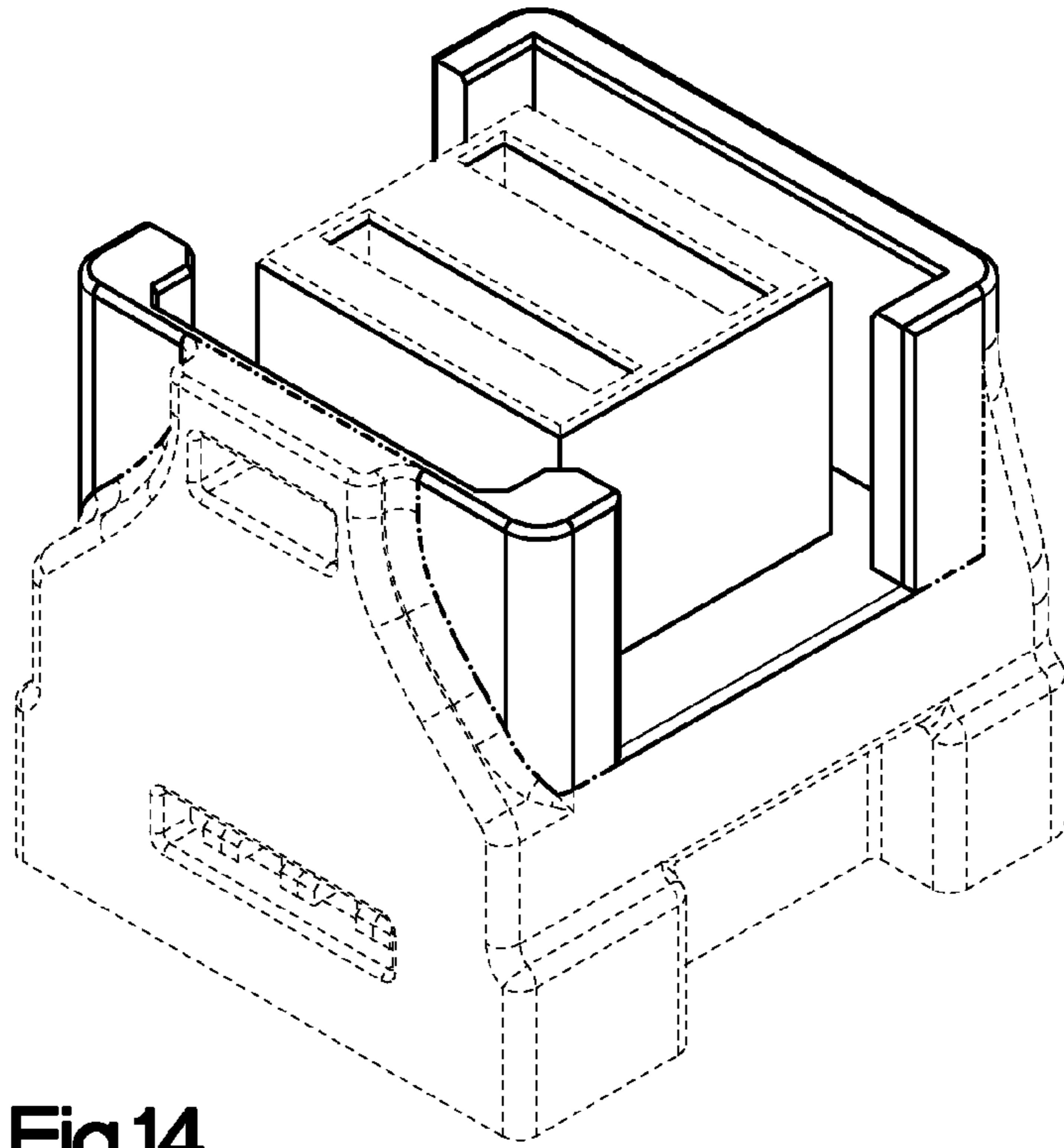


Fig.14

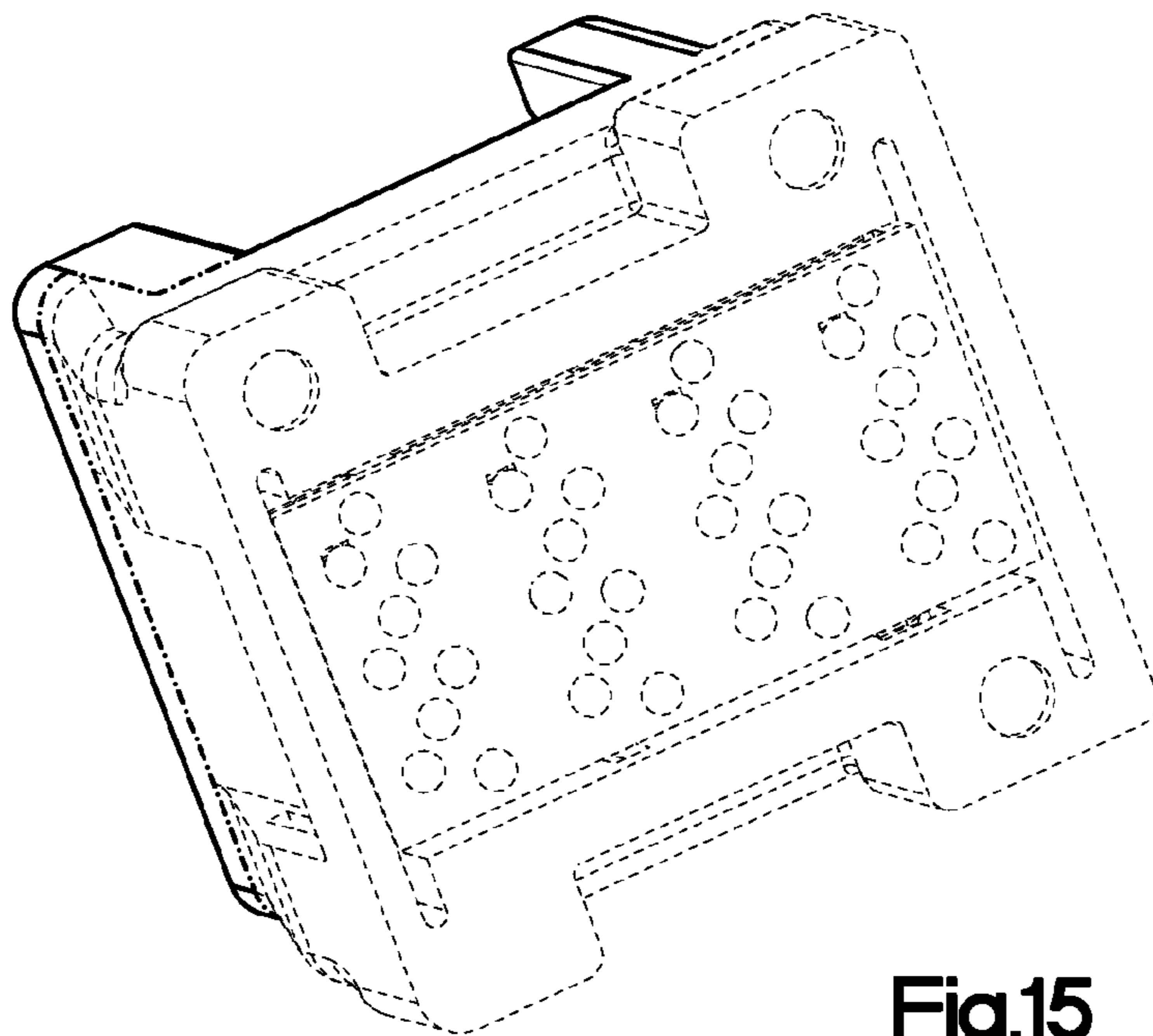


Fig.15

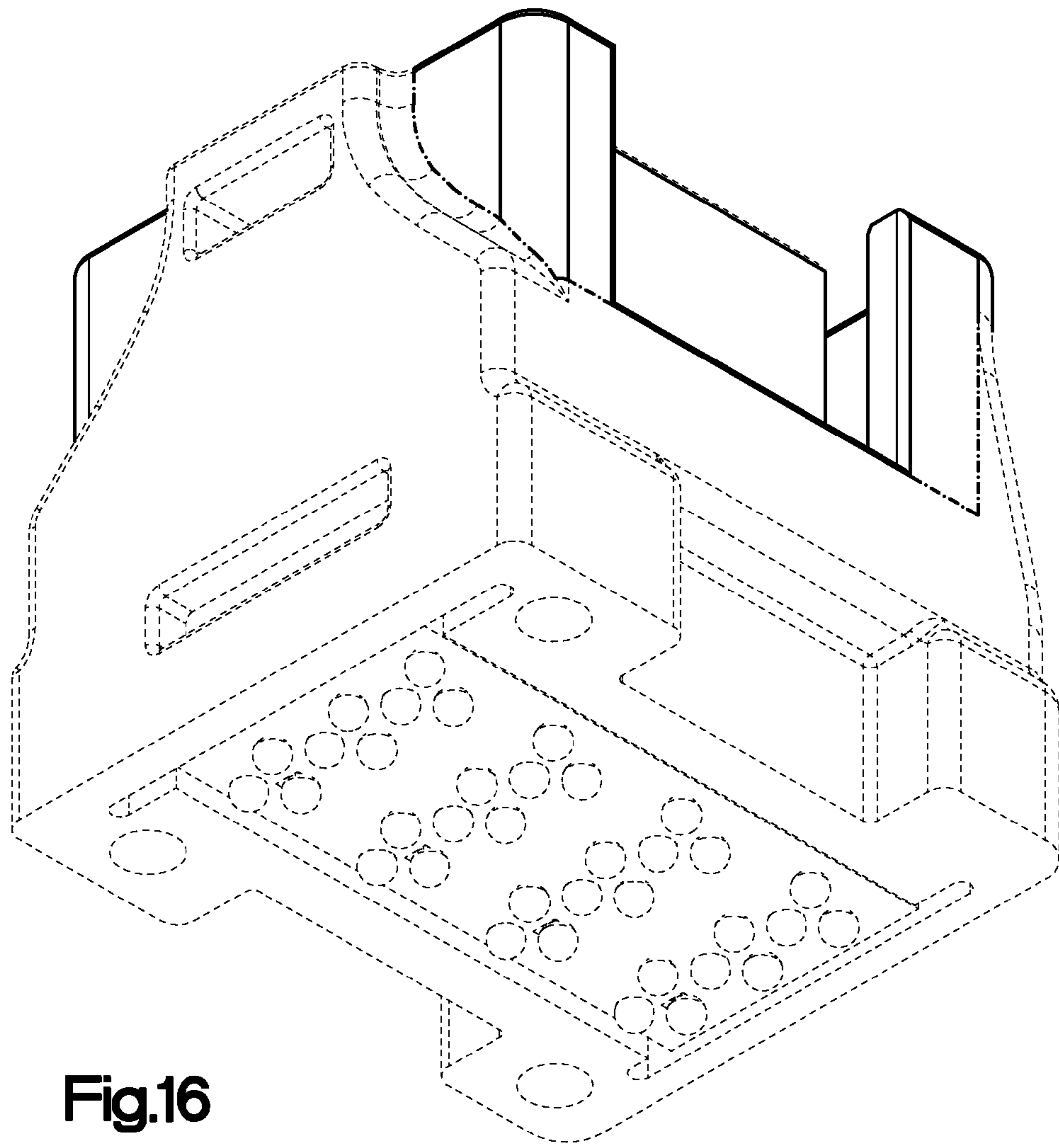


Fig.16

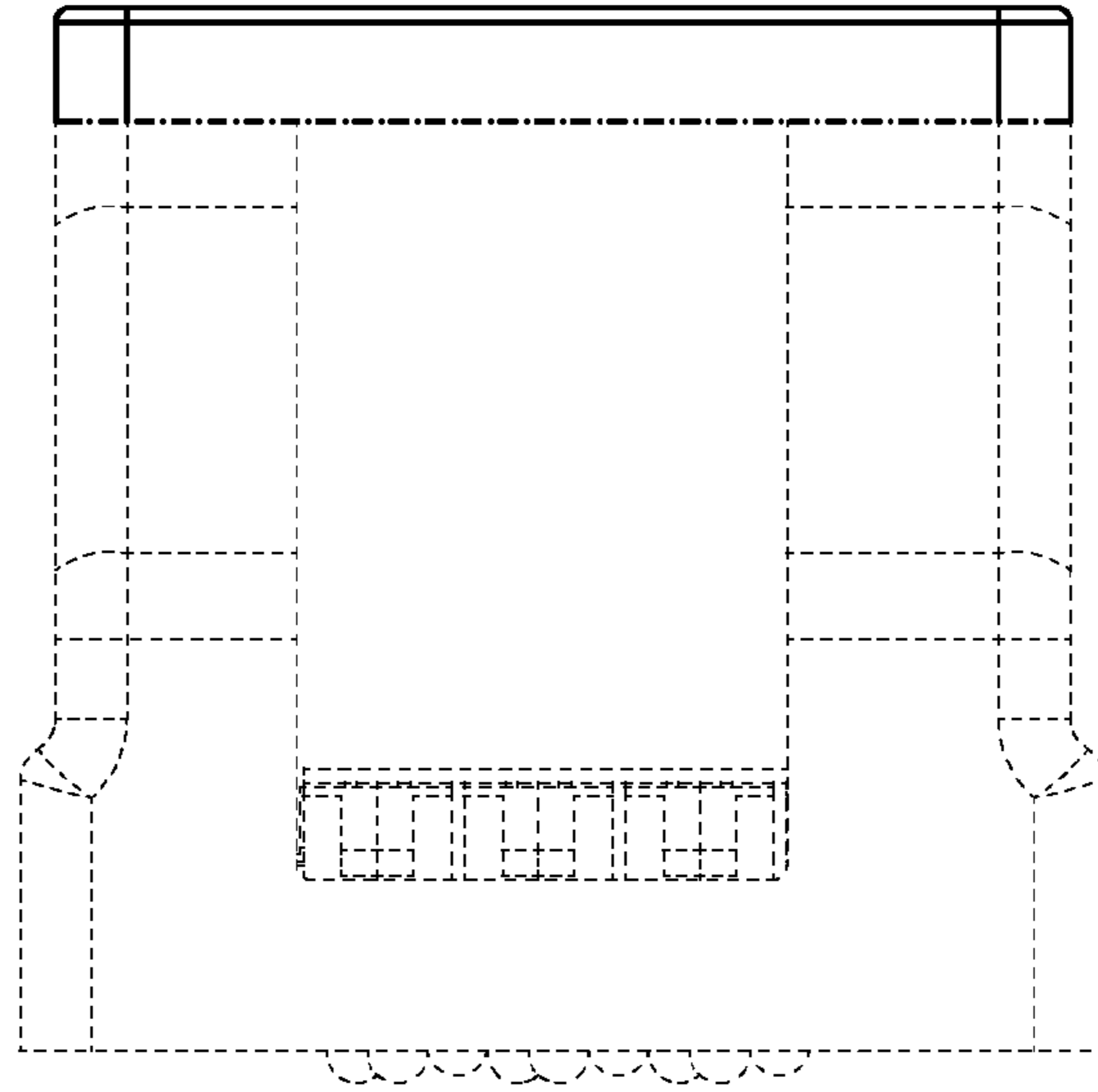


Fig.17

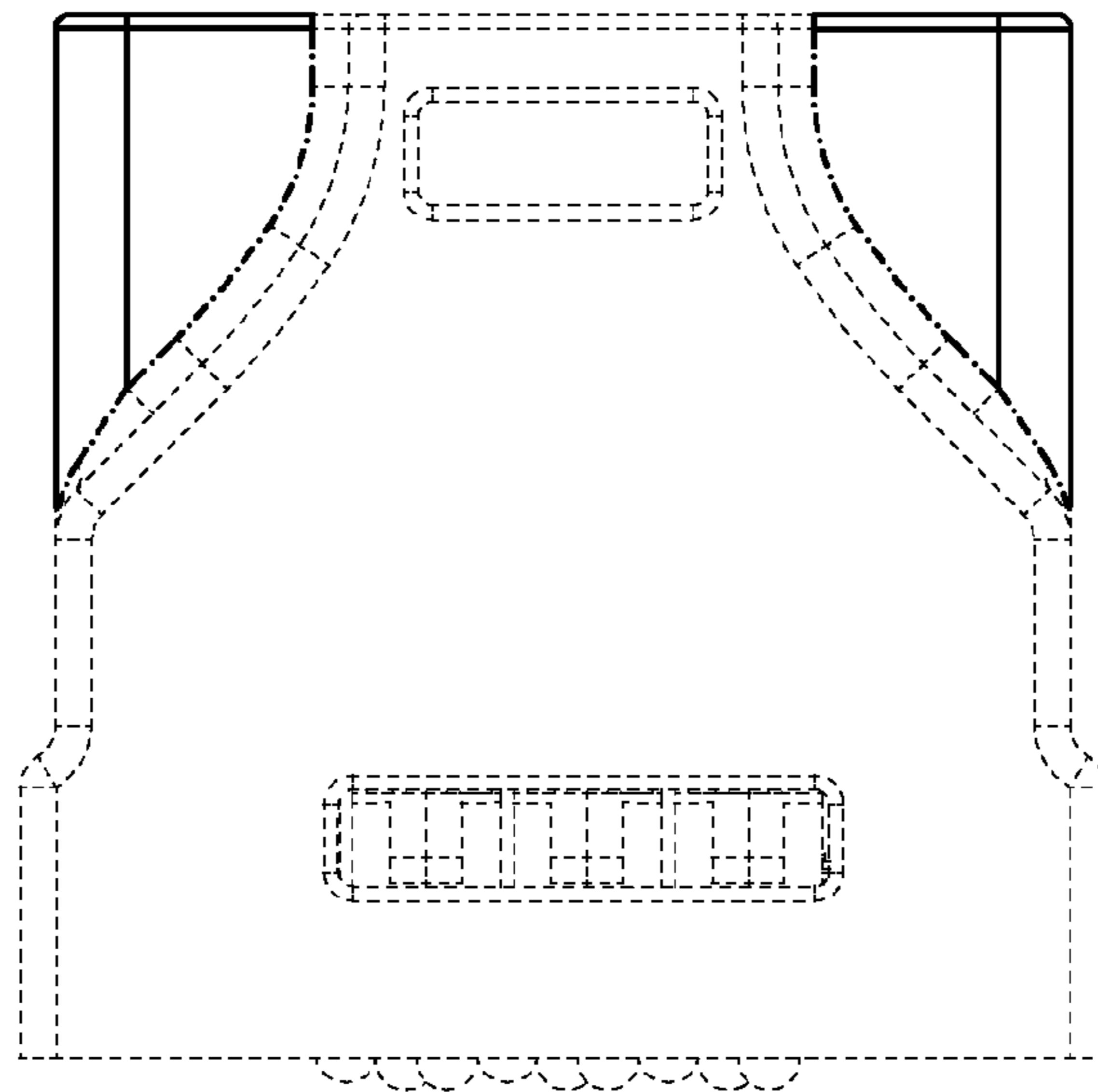


Fig.18

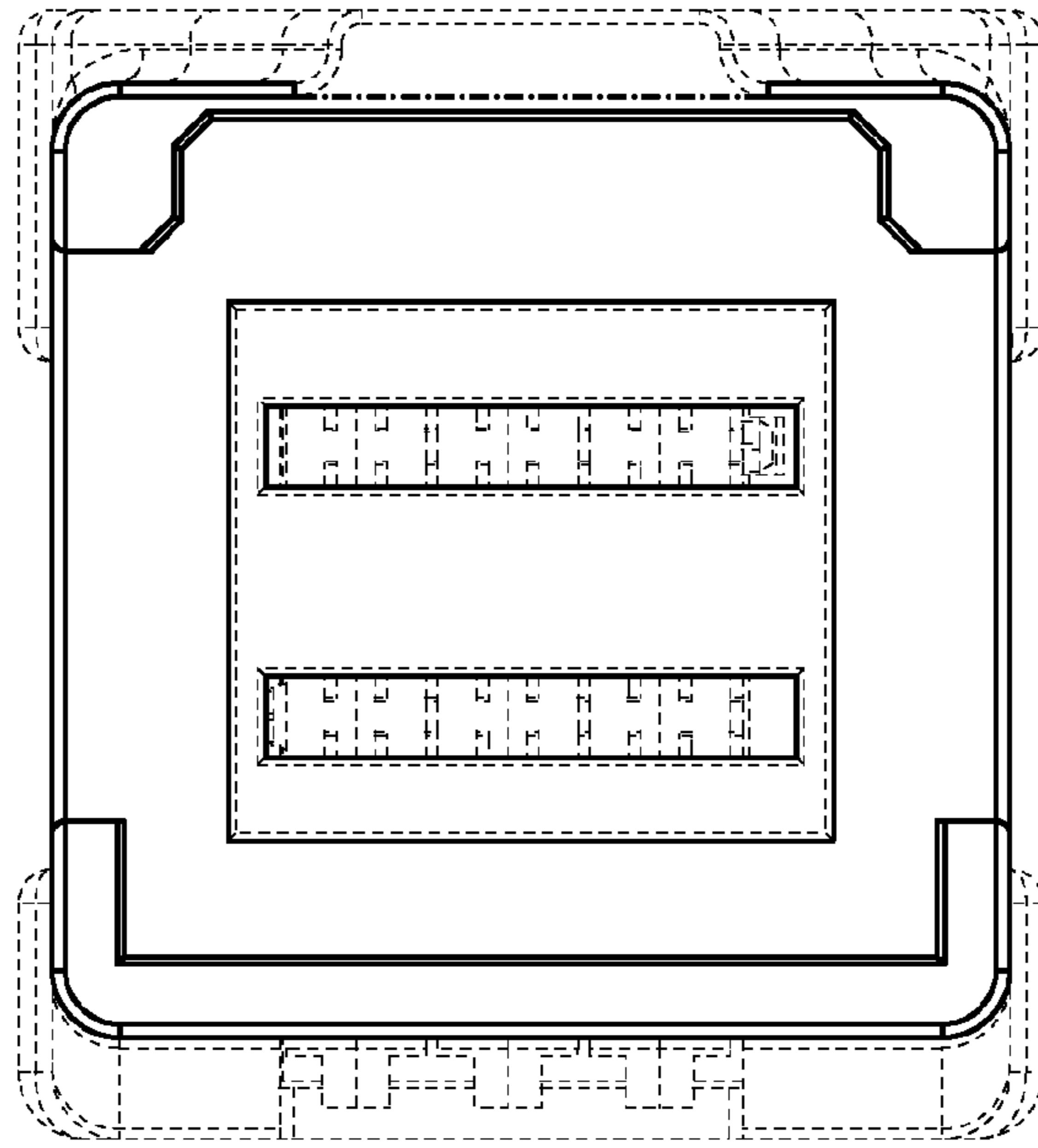


Fig.19

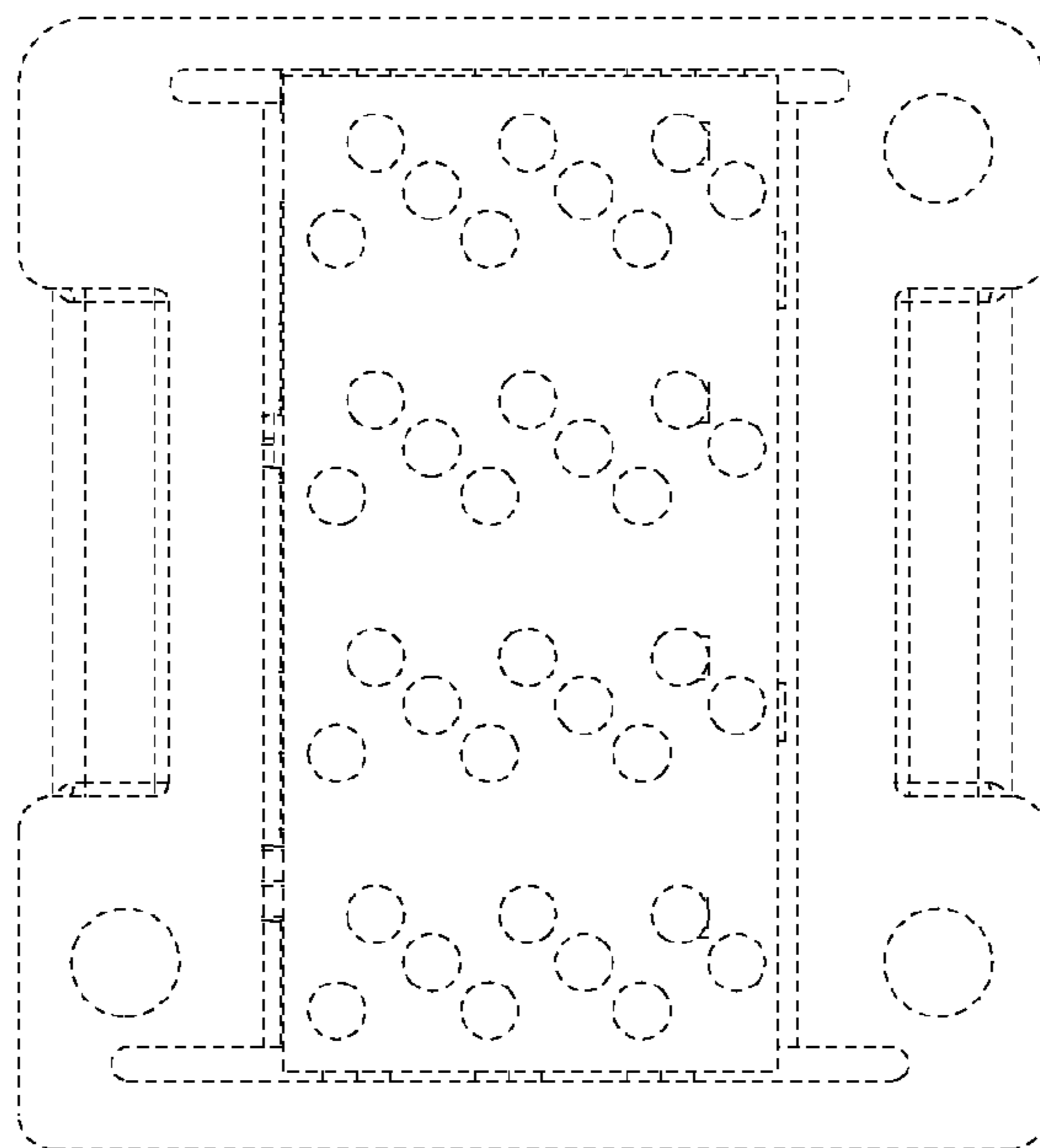


Fig.20

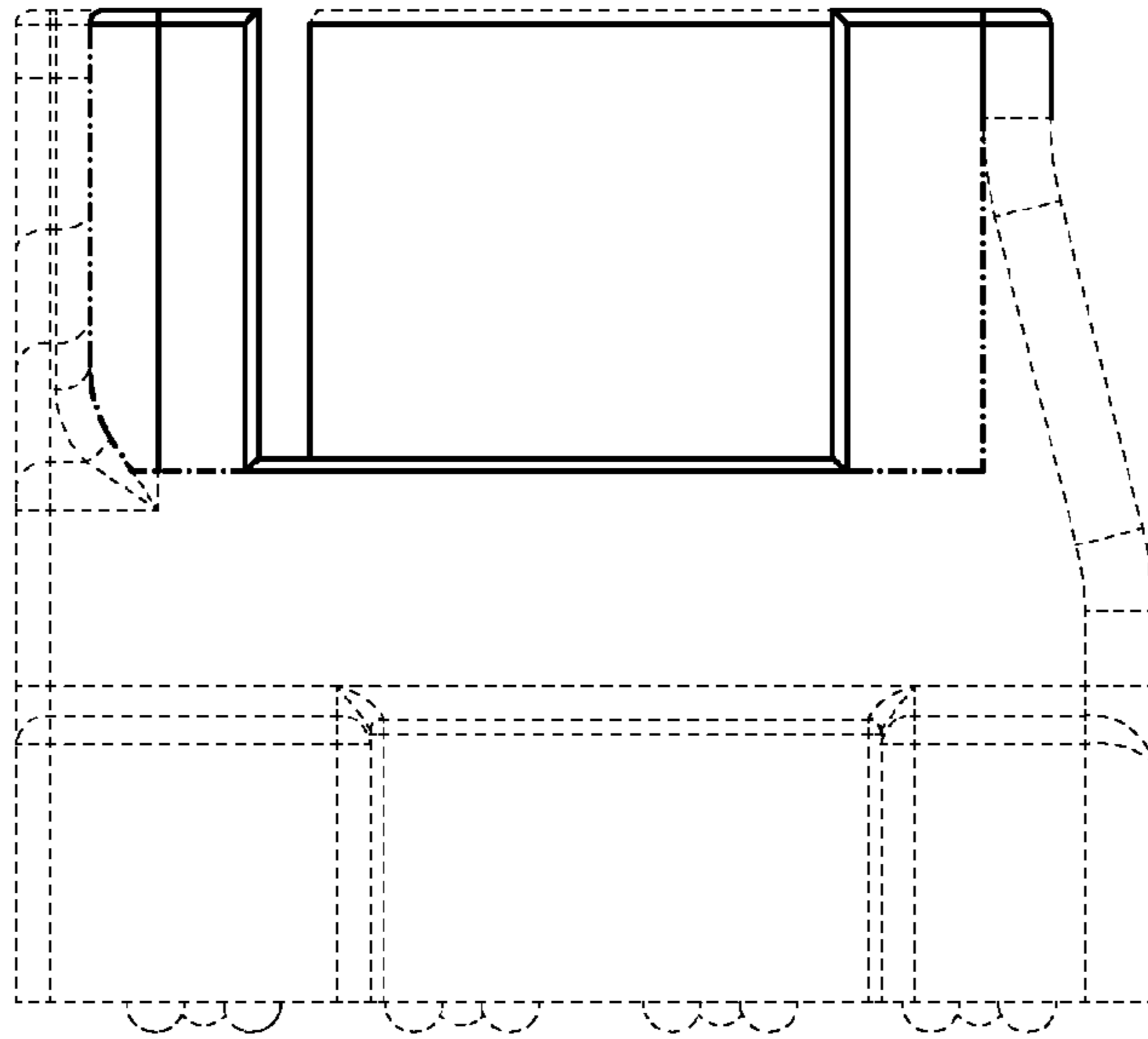


Fig.21

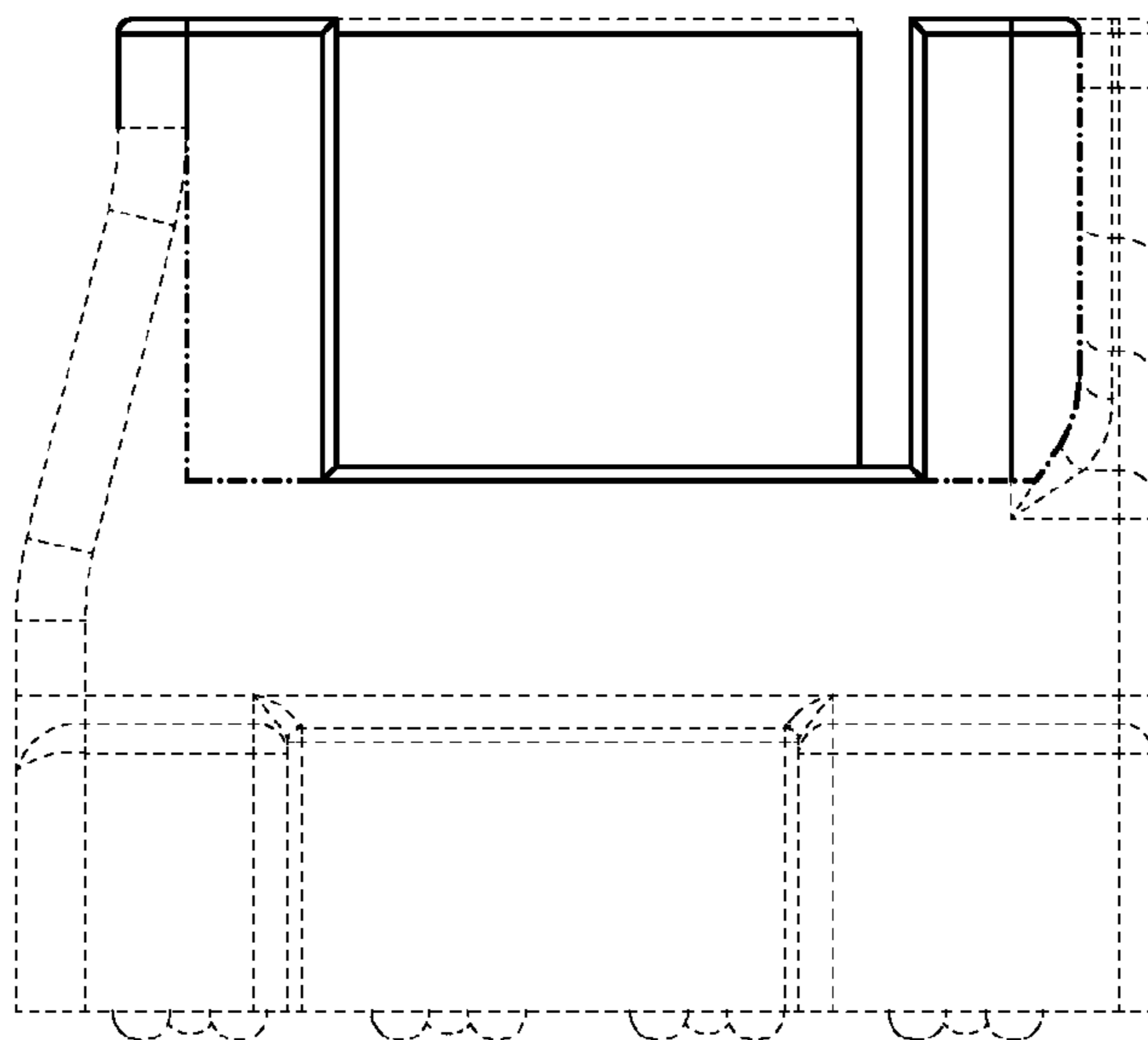


Fig.22