



US00D733057S

(12) **United States Design Patent**  
**Amano et al.**

(10) **Patent No.:** **US D733,057 S**  
(45) **Date of Patent:** **\*\* Jun. 30, 2015**

(54) **ELECTRICAL CONNECTOR HOUSING**

(71) Applicant: **SUMITOMO WIRING SYSTEMS, LTD.**, Yokkaichi-shi, Mie-ken (JP)

(72) Inventors: **Takamaru Amano**, Yokkaichi (JP);  
**Satoshi Morikawa**, Yokkaichi (JP);  
**Kohei Takagi**, Yokkaichi (JP)

(73) Assignee: **Sumitomo Wiring Systems, Ltd.**,  
Yokkaichi-Shi, Mie-Ken (JP)

(\*\*) Term: **14 Years**

(21) Appl. No.: **29/488,600**

(22) Filed: **Apr. 22, 2014**

(30) **Foreign Application Priority Data**

Oct. 24, 2013 (JP) ..... 2013-024769

(51) **LOC (10) Cl.** ..... **13-03**

(52) **U.S. Cl.**  
USPC ..... **D13/147**

(58) **Field of Classification Search**  
USPC ..... D13/146, 147, 154, 184, 199  
See application file for complete search history.

(56) **References Cited**

**U.S. PATENT DOCUMENTS**

D235,552 S	6/1975	Derr et al.	
4,915,649 A *	4/1990	Shimazu et al.	439/490
D308,511 S	6/1990	Makita et al.	
D308,513 S *	6/1990	Endo et al.	D13/147
D309,289 S	7/1990	Endo et al.	
D311,375 S	10/1990	Kuzuno et al.	
D311,379 S *	10/1990	Kuzuno et al.	D13/147
D322,775 S *	12/1991	Nagasaka et al.	D13/147
D323,811 S *	2/1992	Sueyoshi et al.	D13/146
D324,202 S *	2/1992	Sueyoshi et al.	D13/146

D324,206 S *	2/1992	Sueyoshi et al.	D13/147
D326,084 S *	5/1992	Nagasaka et al.	D13/147
D336,283 S	6/1993	Ohkura et al.	
5,711,684 A *	1/1998	Inoue et al.	439/354
6,419,515 B1	7/2002	Okayasu	
D524,751 S *	7/2006	Lee et al.	D13/147
D702,189 S	4/2014	Kagelmacher et al.	

**FOREIGN PATENT DOCUMENTS**

JP 61-23275 U 2/1986

**OTHER PUBLICATIONS**

Engineering draft of one of the Applicant Sumitomo Wiring System's products (Part Name: WAS9RS-INJ2F-AY, Part No. 6189-6872,) finalized on Sep. 6, 2004.

\* cited by examiner

*Primary Examiner* — Daniel Bui

(74) *Attorney, Agent, or Firm* — Marsh Fischmann & Breyfogle LLP

(57) **CLAIM**

The ornamental design for an electrical connector housing, as shown and described.

**DESCRIPTION**

FIG. 1 is a front, top, and right side perspective view of an electrical connector housing showing our new design; FIG. 2 is a rear, bottom, and left side perspective view thereof; FIG. 3 is a front view thereof; FIG. 4 is a rear view thereof; FIG. 5 is a top plan view thereof; FIG. 6 is a bottom plan view thereof; FIG. 7 is a right side view thereof; FIG. 8 is a left side view thereof; and, FIG. 9 is a cross sectional view taken along line 9-9 in FIG. 3.

**1 Claim, 9 Drawing Sheets**

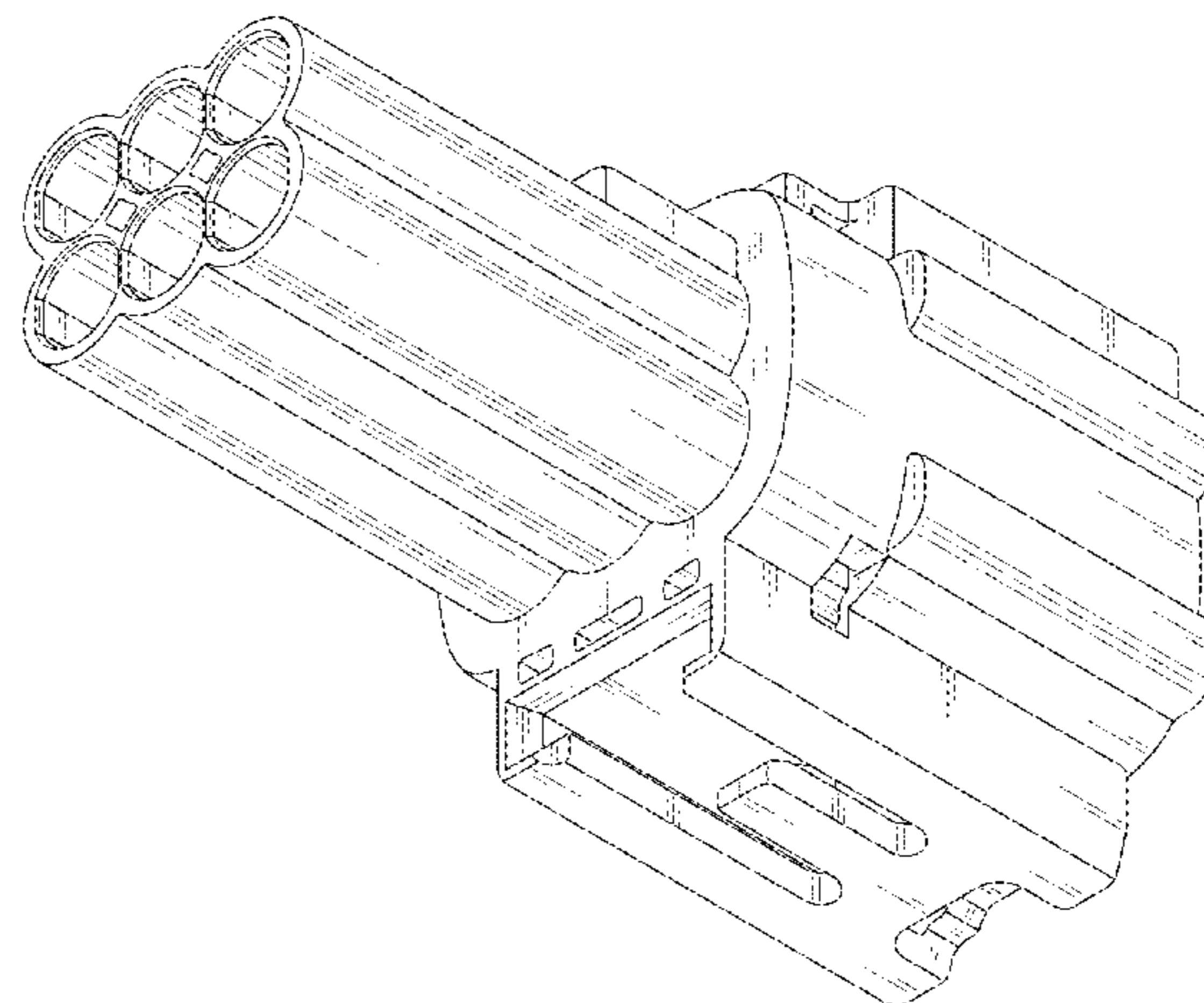
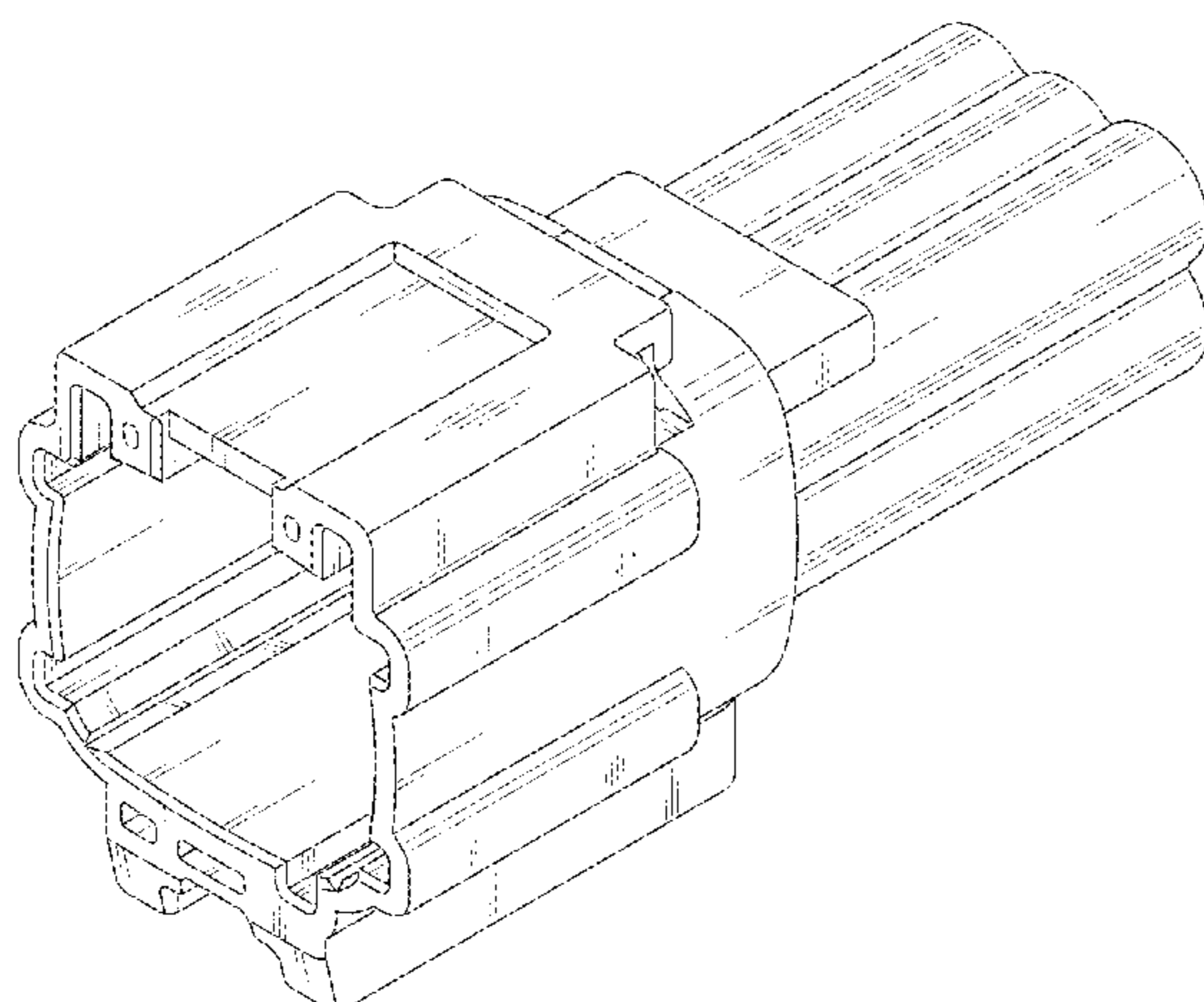


FIG. 1

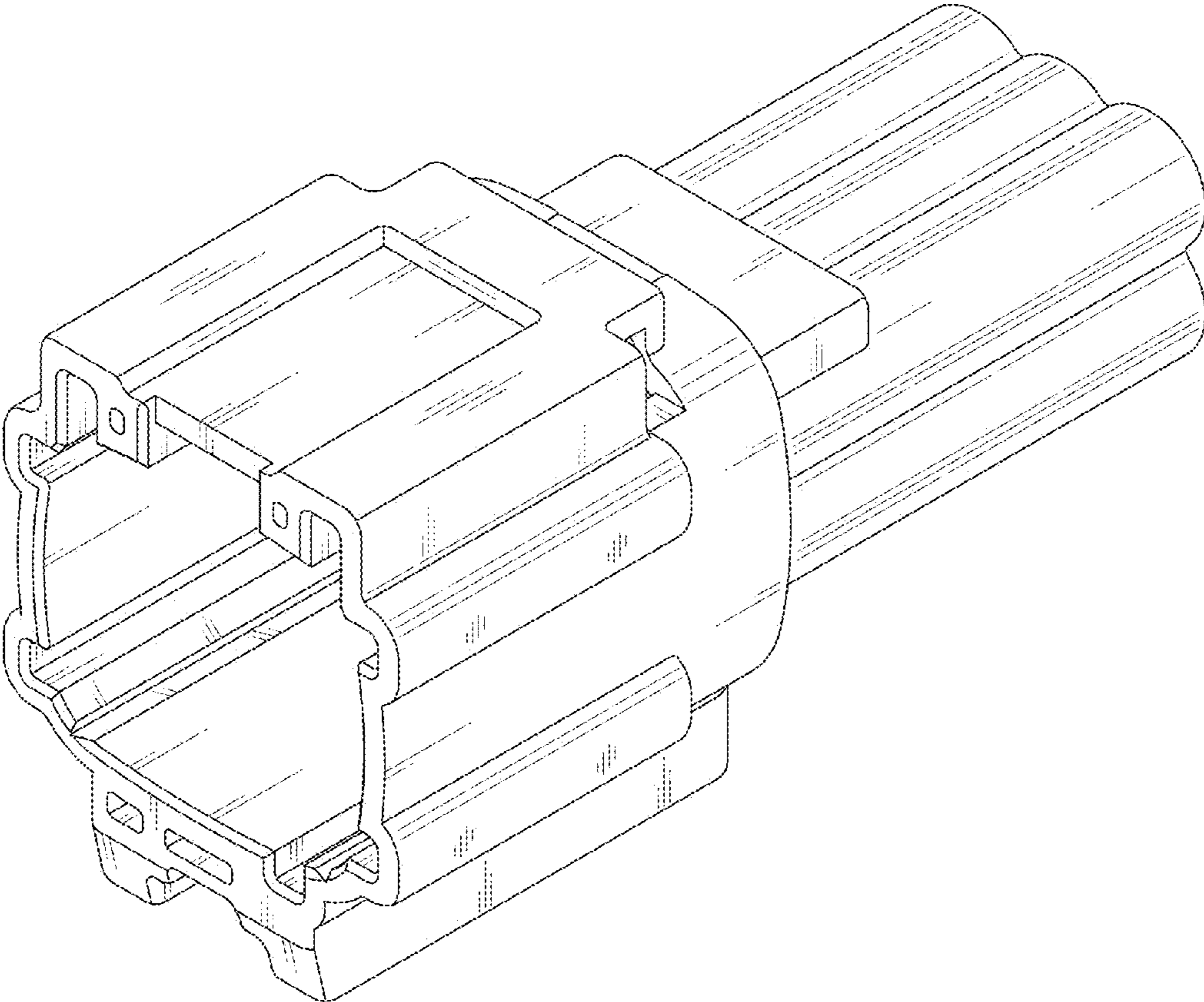


FIG. 2

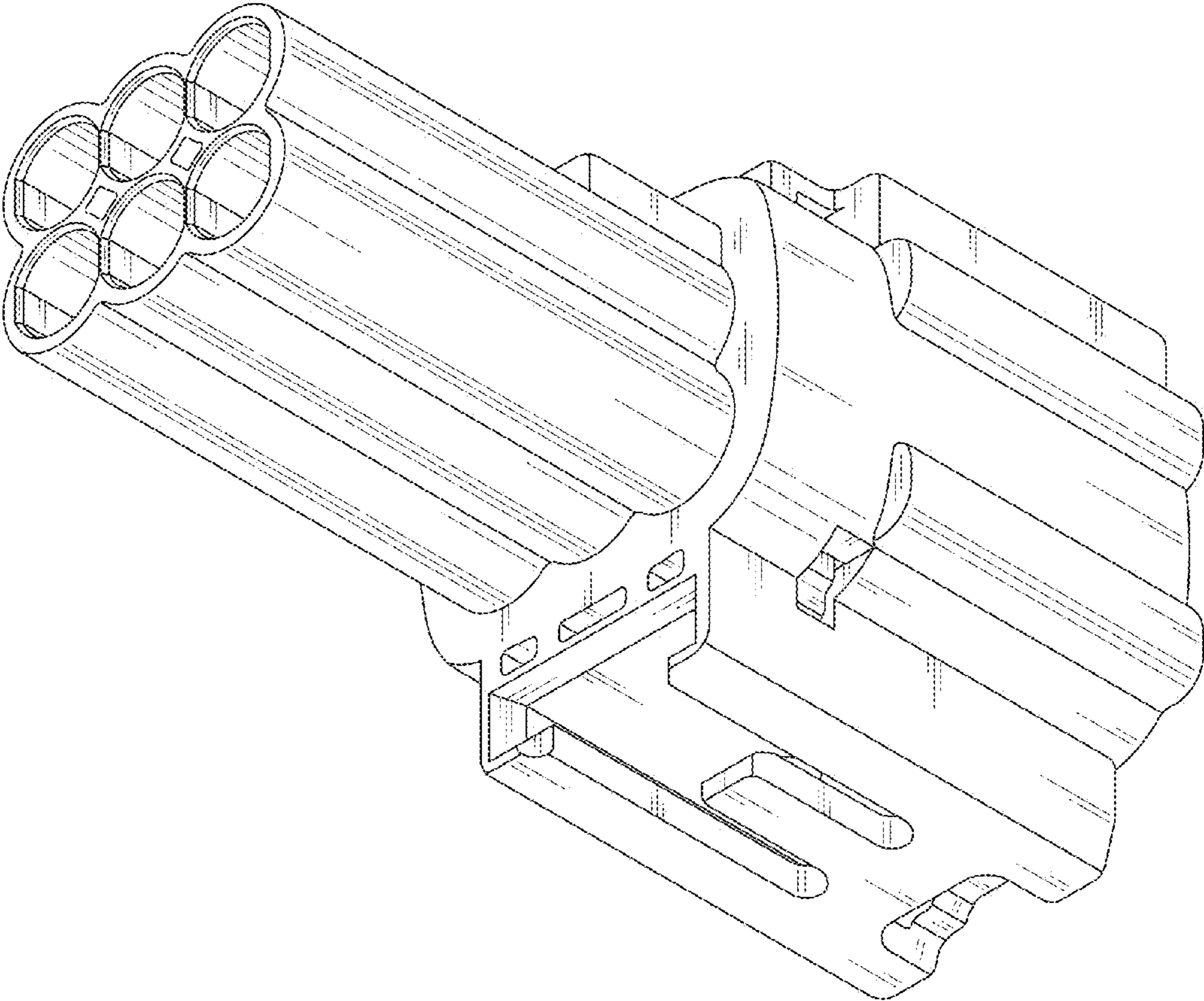


FIG. 3

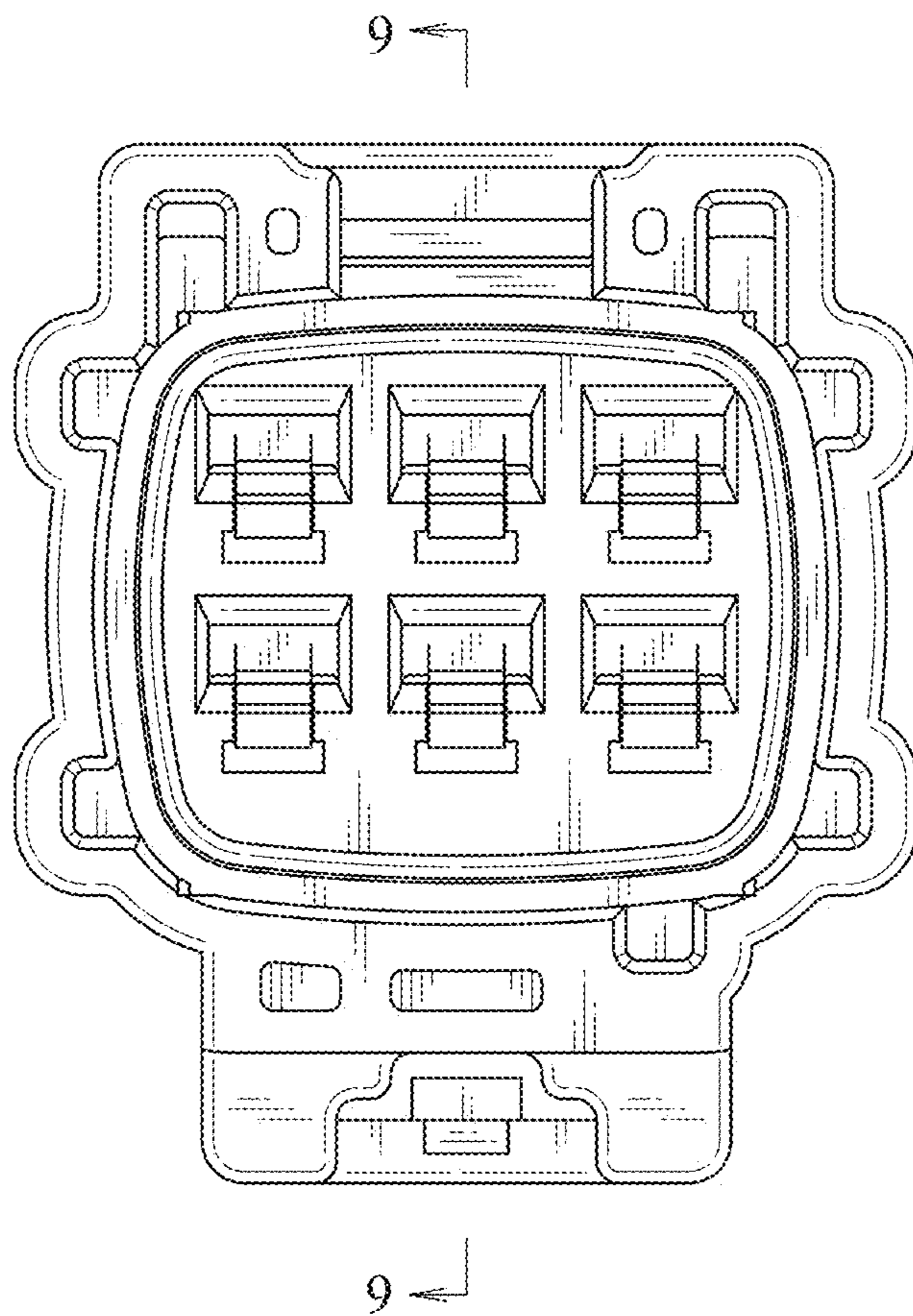


FIG. 4

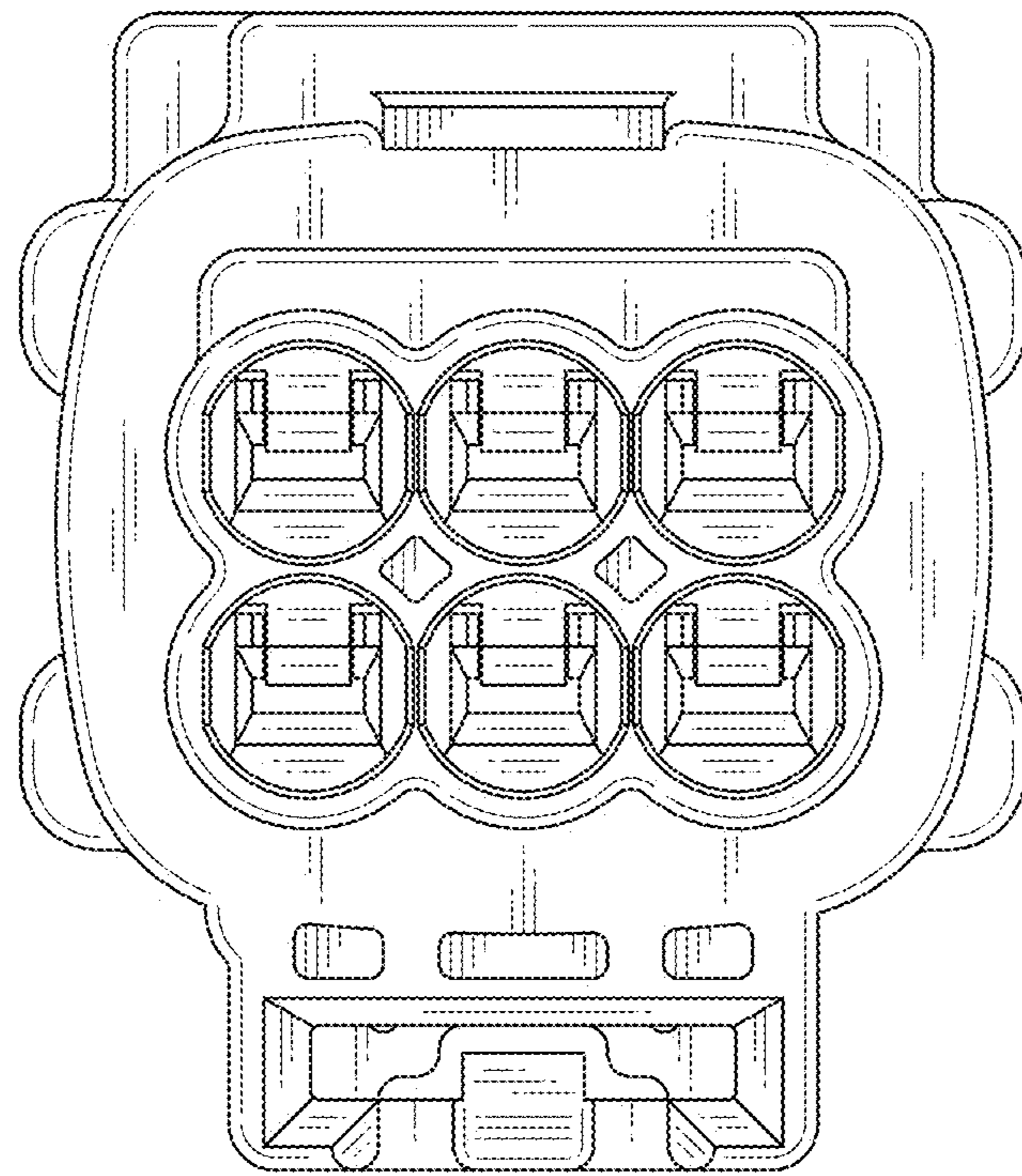


FIG. 5

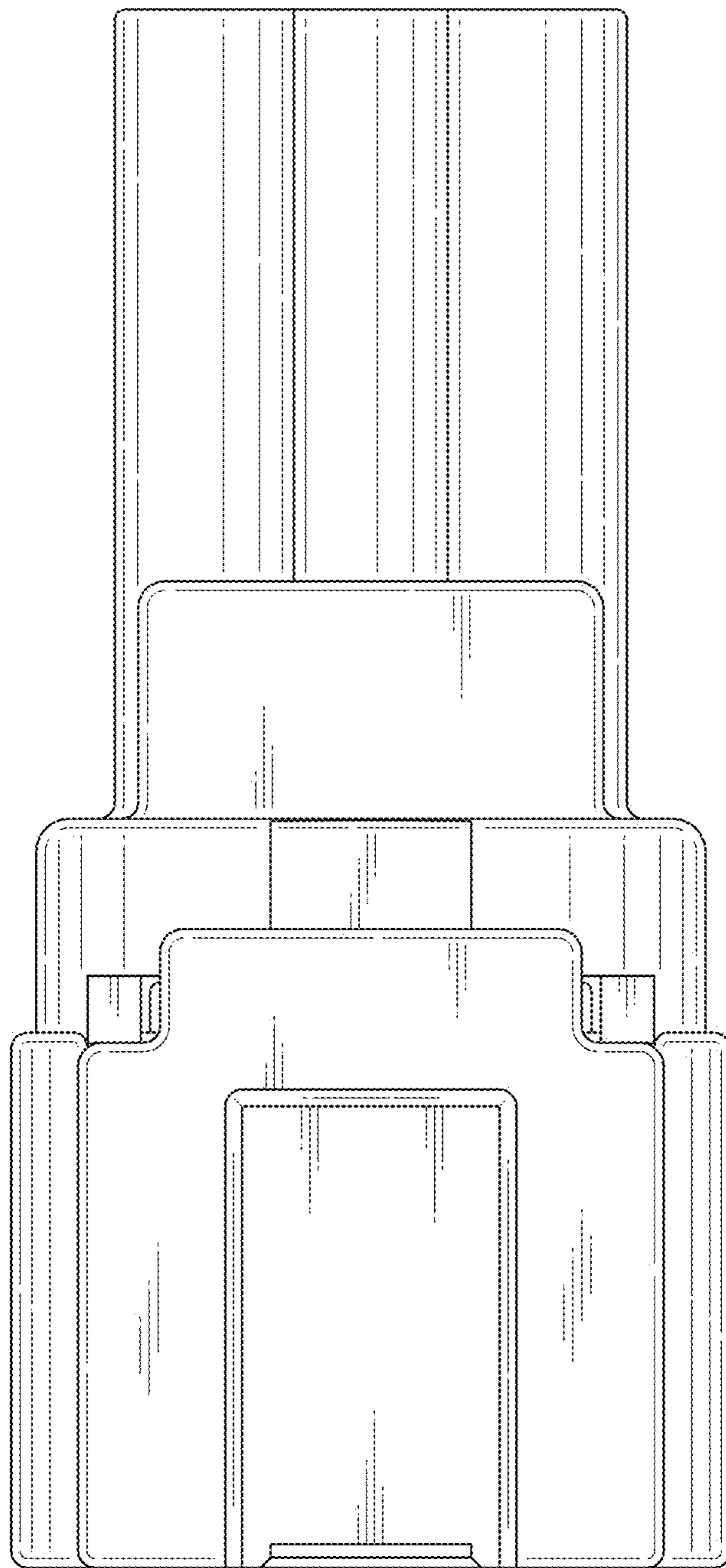


FIG. 6

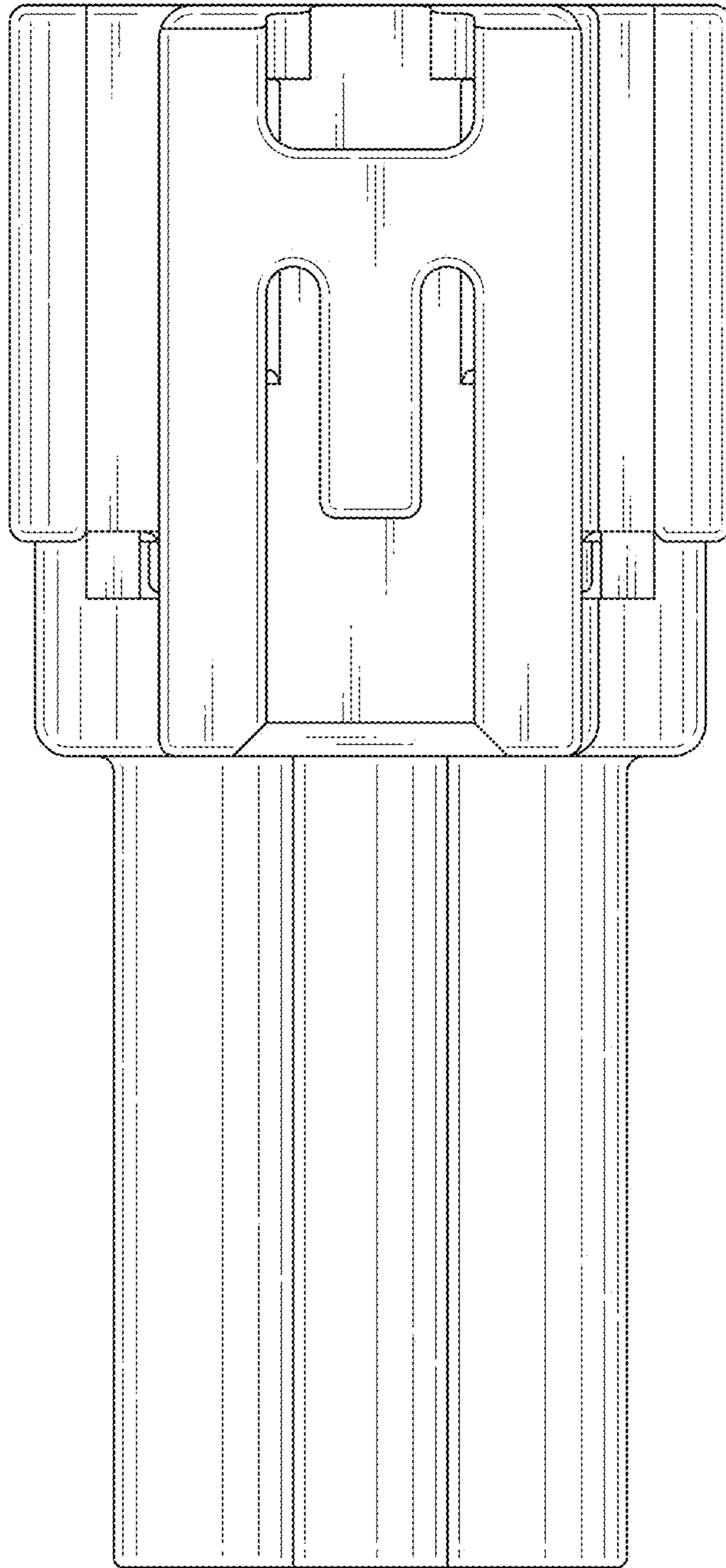


FIG. 7

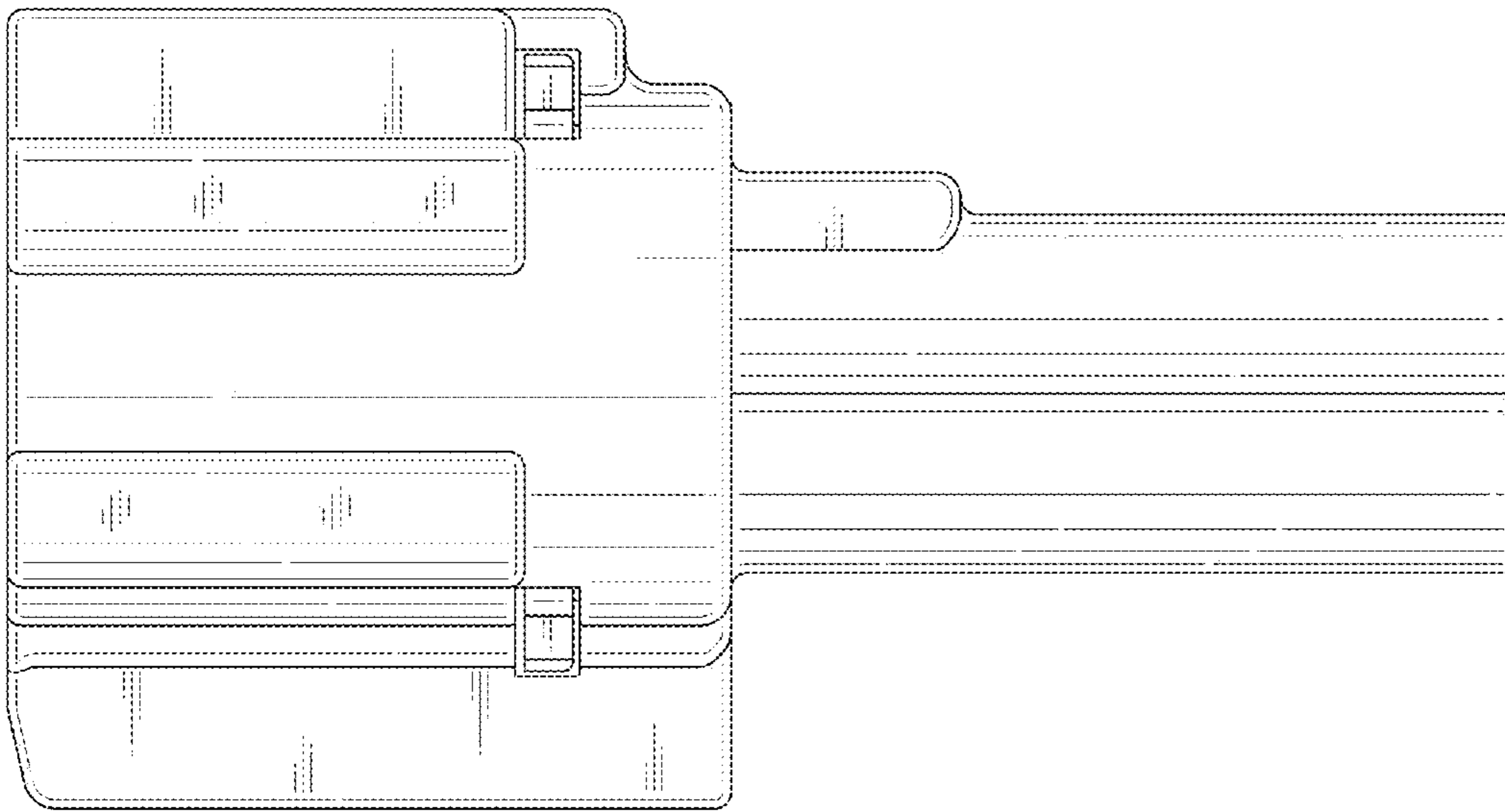




FIG. 8

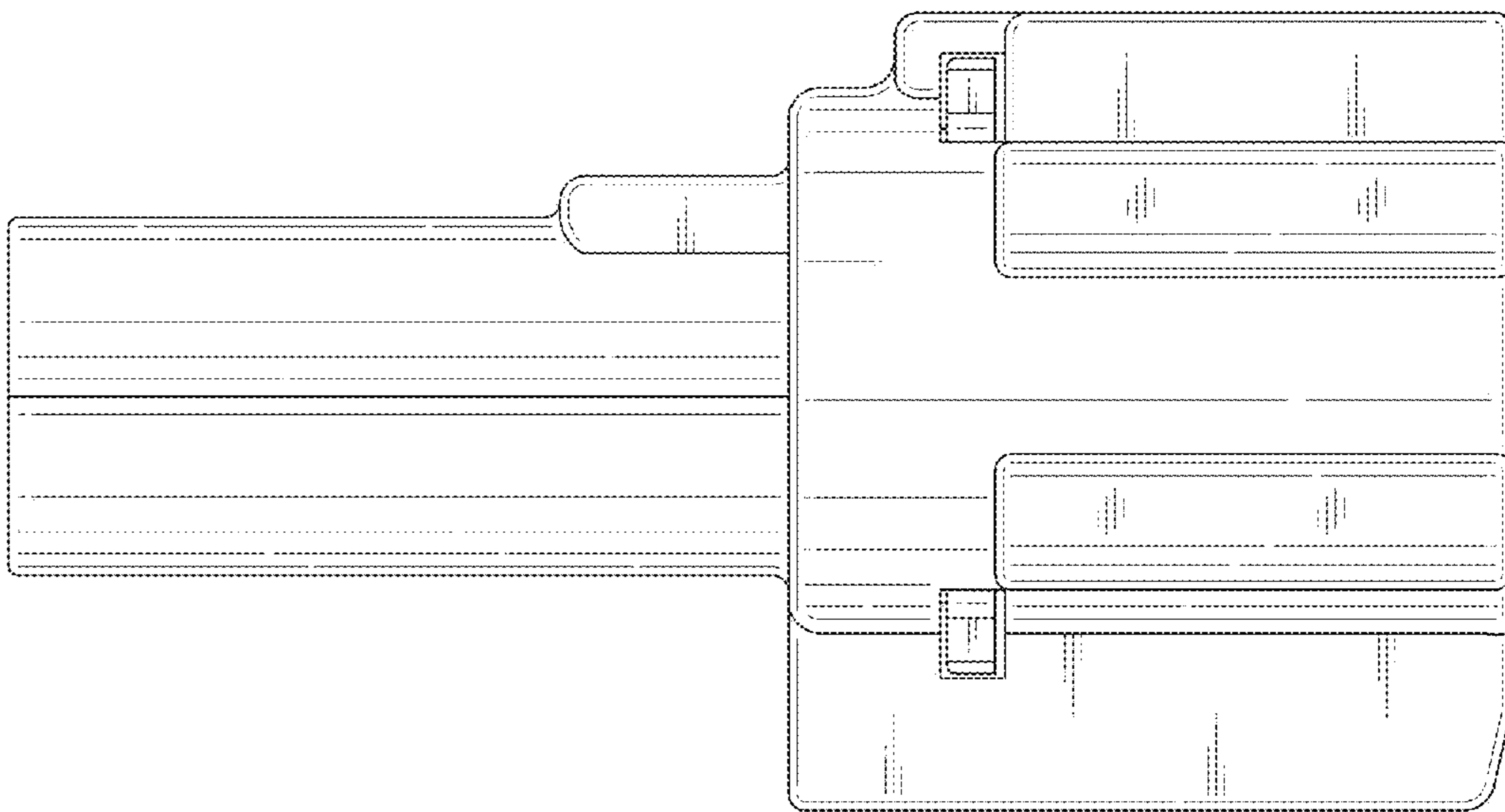


FIG. 9

