



US00D733055S

(12) **United States Design Patent**
Kao et al.

(10) **Patent No.:** **US D733,055 S**
(45) **Date of Patent:** **** Jun. 30, 2015**

(54) **ELECTRIC PLUG**

(71) Applicant: **STANDARD CABLE USA, INC.**,
Rancho Santa Margarita, CA (US)

(72) Inventors: **Selvin Kao**, Ladera Ranch, CA (US);
Philip Carlo J. DeGuzman, Fontana,
CA (US)

(73) Assignee: **STANDARD CABLE USA, INC.**,
Rancho Santa Margarita, CA (US)

(**) Term: **14 Years**

(21) Appl. No.: **29/458,770**

(22) Filed: **Jun. 21, 2013**

(51) **LOC (10) Cl.** **13-03**

(52) **U.S. Cl.**
USPC **D13/138.1**

(58) **Field of Classification Search**
USPC D13/138.1, 137.2, 137.1, 138.2, 139.1,
D13/108, 139.3, 139.8, 110, 199, 152, 160;
439/655, 172, 337, 694, 131, 171,
439/476.1, 650-654, 628, 606, 106, 105;
174/53, 54, 57, 59, 61; 30/90.1; 361/42
See application file for complete search history.

(56) **References Cited**

U.S. PATENT DOCUMENTS

D314,177 S * 1/1991 Heiligenstein et al. ... D13/138.1
D356,066 S * 3/1995 Rao et al. D13/138.1
D400,172 S * 10/1998 Aromin D13/138.1
5,913,574 A * 6/1999 D'Amario et al. 30/90.1
D414,747 S * 10/1999 Aromin D13/160
D451,481 S * 12/2001 MacKay D13/160

D473,188 S * 4/2003 Cheah et al. D13/138.2
D511,468 S * 11/2005 Aromin D13/138.1
D511,469 S * 11/2005 Aromin D13/138.1
D562,766 S * 2/2008 Yang D13/110
D579,881 S * 11/2008 Aromin D13/160
D584,690 S * 1/2009 Hsiung D13/138.1
D594,417 S * 6/2009 Ho'o et al. D13/138.1
D635,937 S * 4/2011 Aromin et al. D13/160
D652,801 S * 1/2012 Zou D13/139.8
D653,214 S * 1/2012 Zou D13/138.2
D708,575 S * 7/2014 Aromin D13/110
D708,576 S * 7/2014 Aromin D13/110
2008/0094764 A1 * 4/2008 Zhang et al. 361/42

* cited by examiner

Primary Examiner — Ian Simmons

Assistant Examiner — Rhea Shields

(74) *Attorney, Agent, or Firm* — Vic Y. Lin; Joseph G. Chu;
Innovation Capital Law Group, LLP

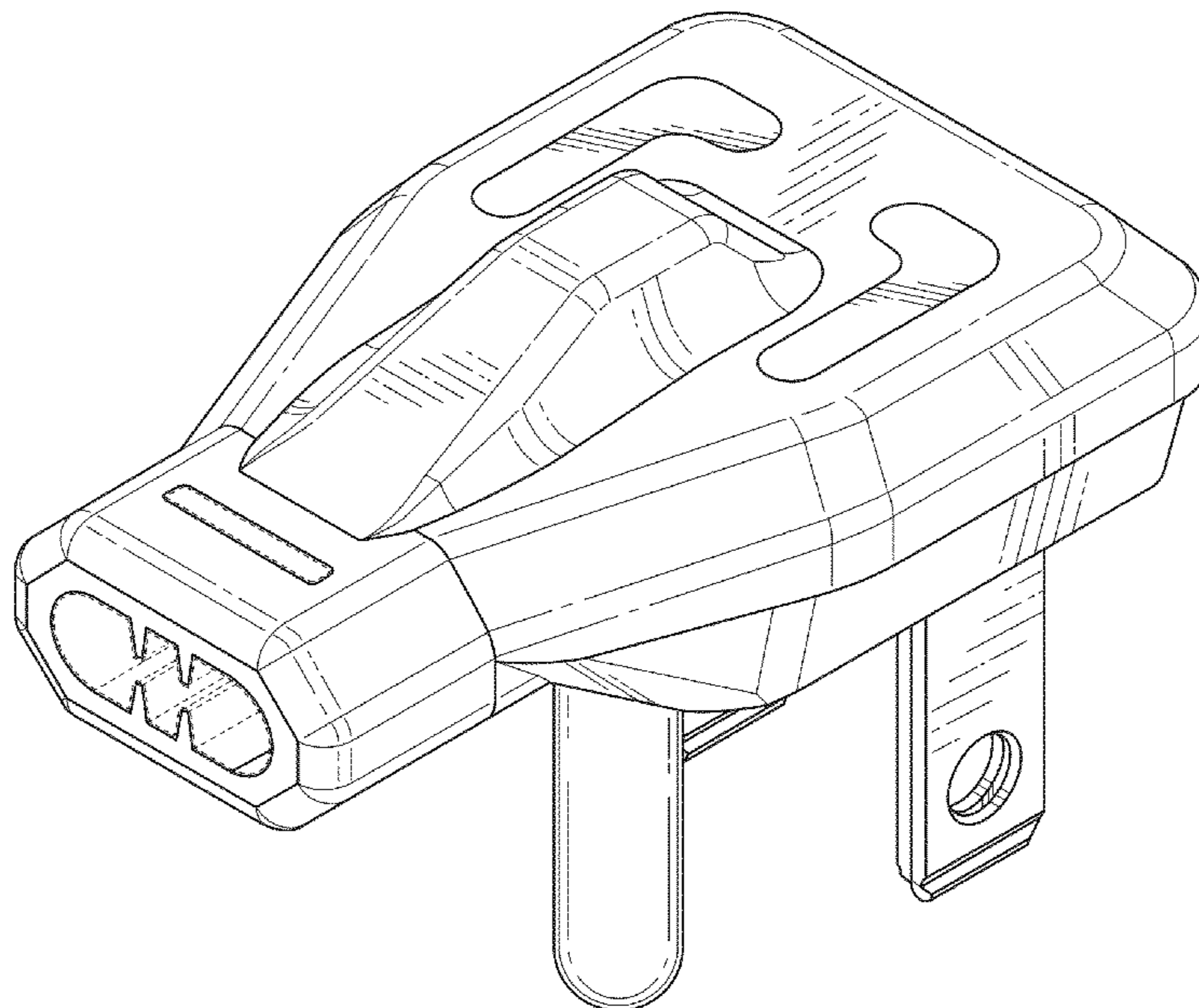
(57) **CLAIM**

We claim the ornamental design for the electric plug, as shown and described.

DESCRIPTION

FIG. 1 is a rear perspective view of an electric plug;
FIG. 2 is a front perspective view of the electric plug;
FIG. 3 is a top plan view of the electric plug;
FIG. 4 is a bottom plan view of the electric plug;
FIG. 5 is a left elevation view of the electric plug;
FIG. 6 is a right elevation view of the electric plug;
FIG. 7 is a front elevation view of the electric plug; and,
FIG. 8 is a rear elevation view of the electric plug.
In the drawings, the broken lines depict unclaimed subject matter only and form no part of the claimed design.

1 Claim, 8 Drawing Sheets



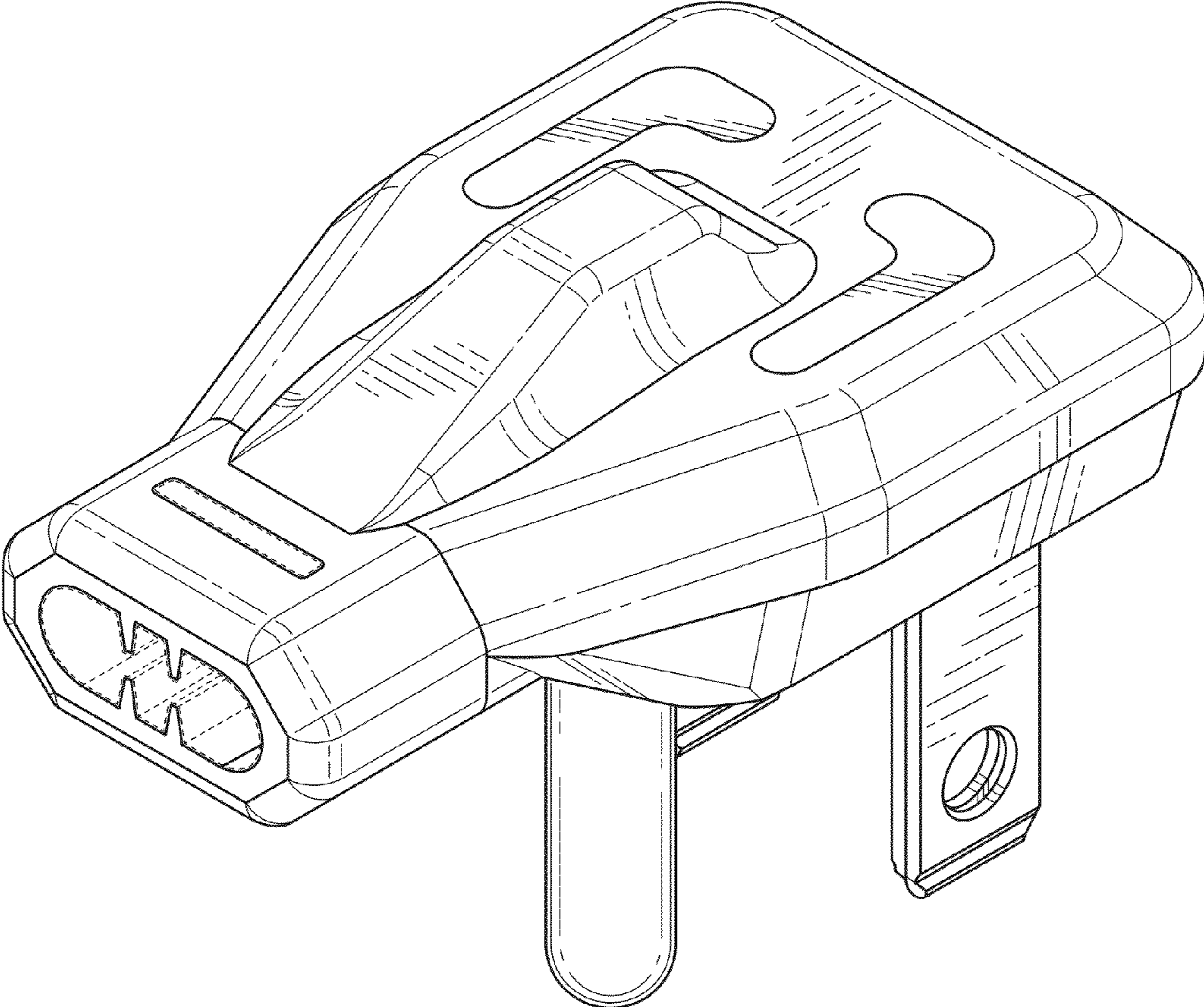


FIG. 1

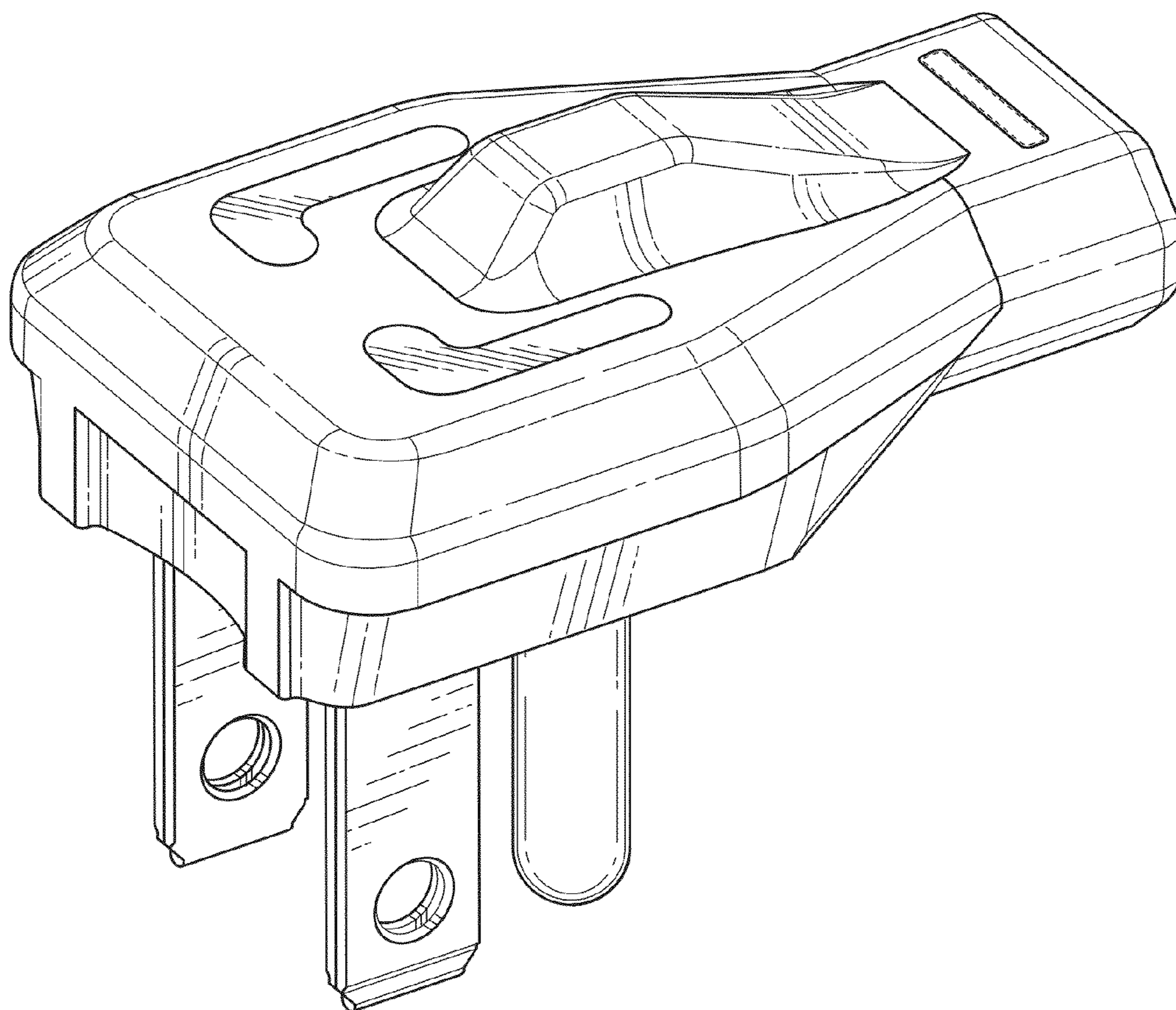


FIG. 2

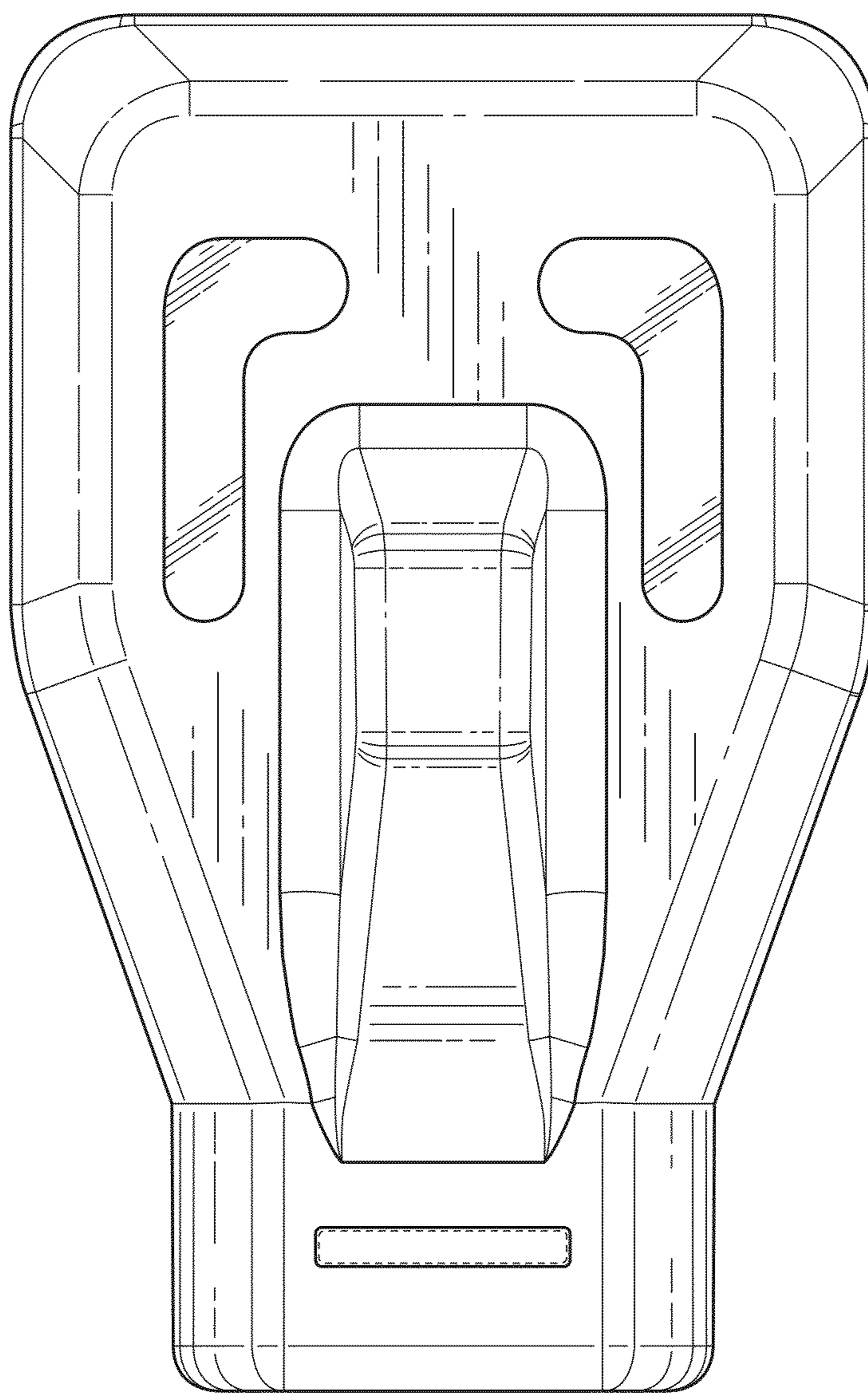


FIG. 3

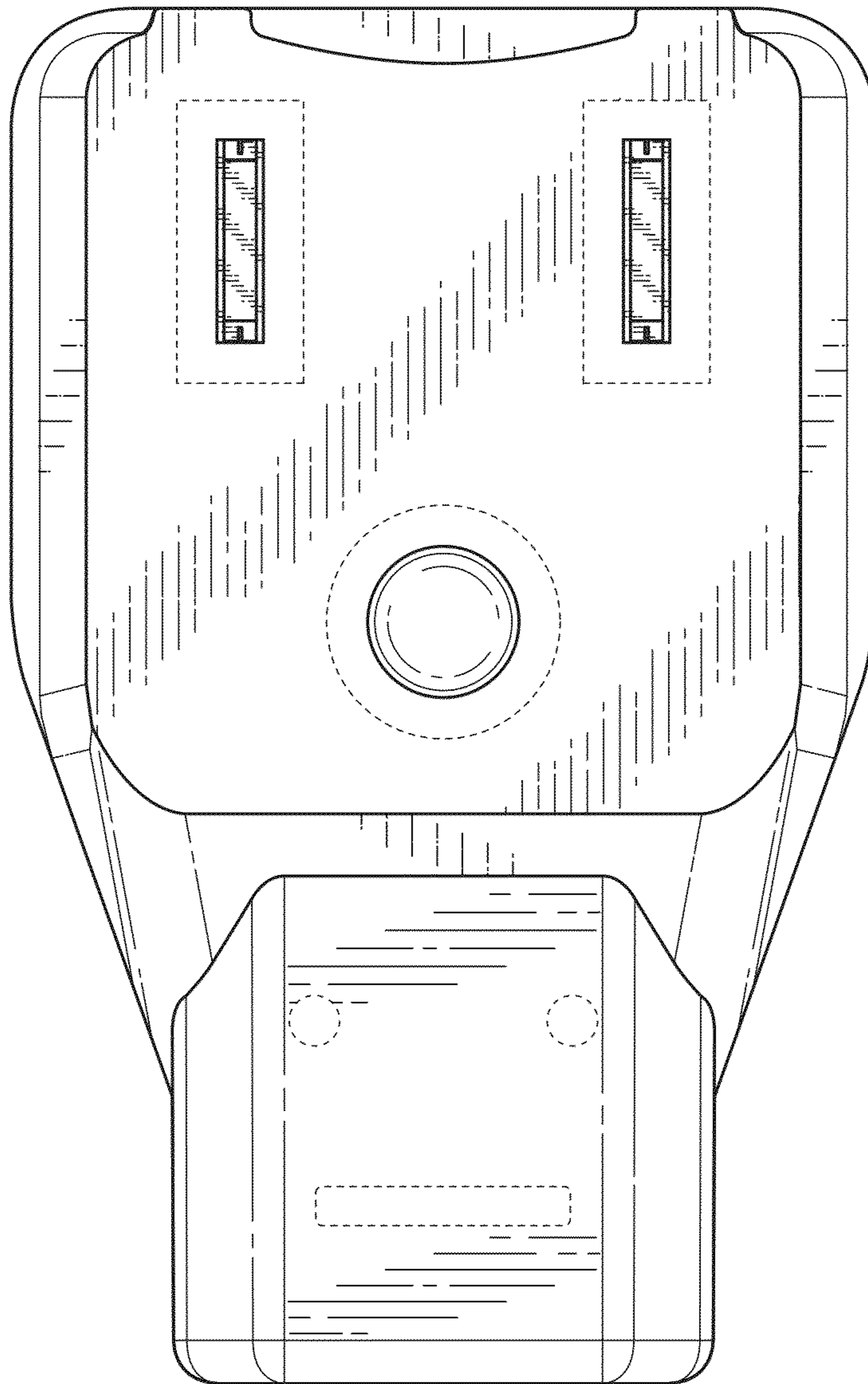


FIG. 4

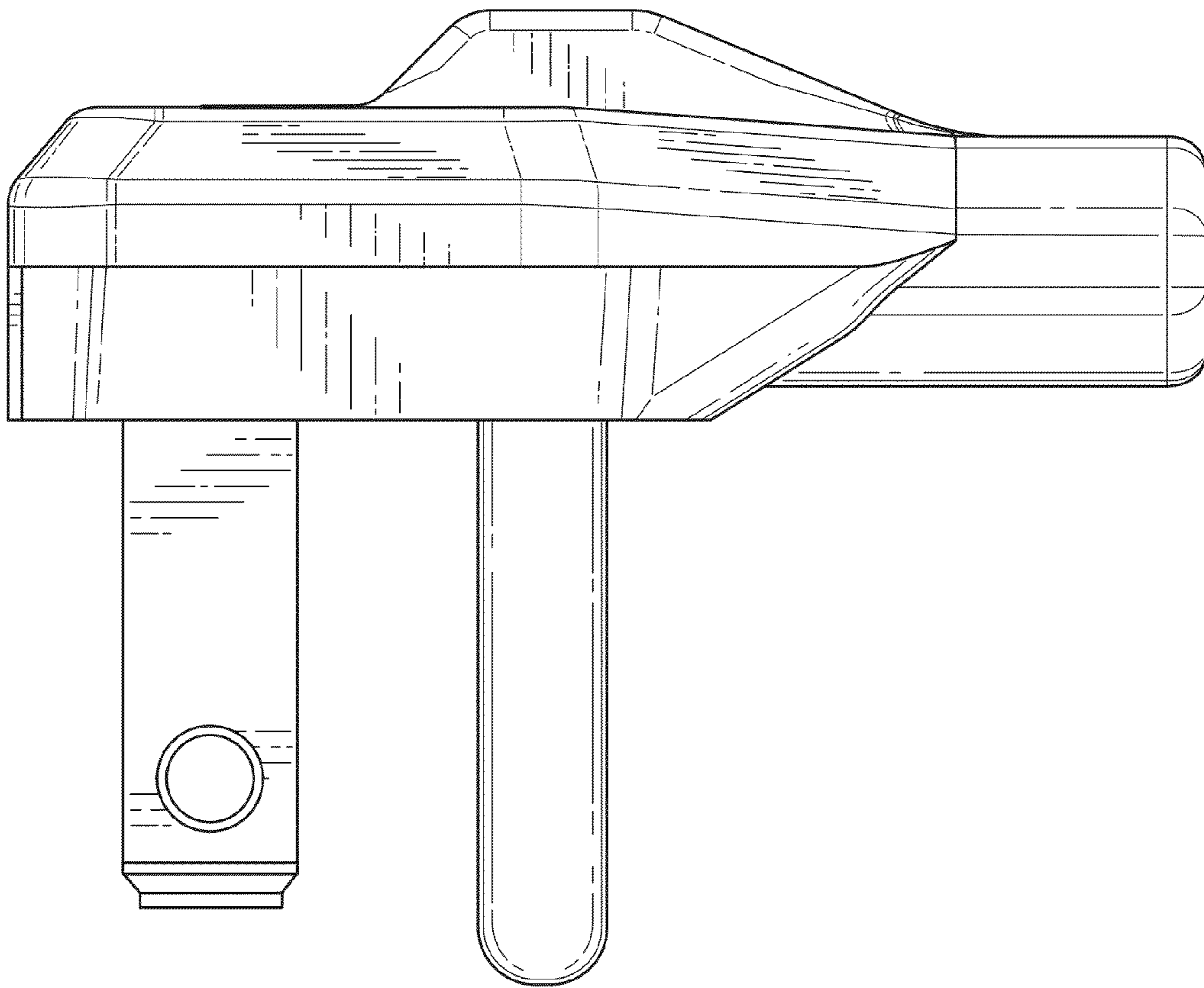


FIG. 5

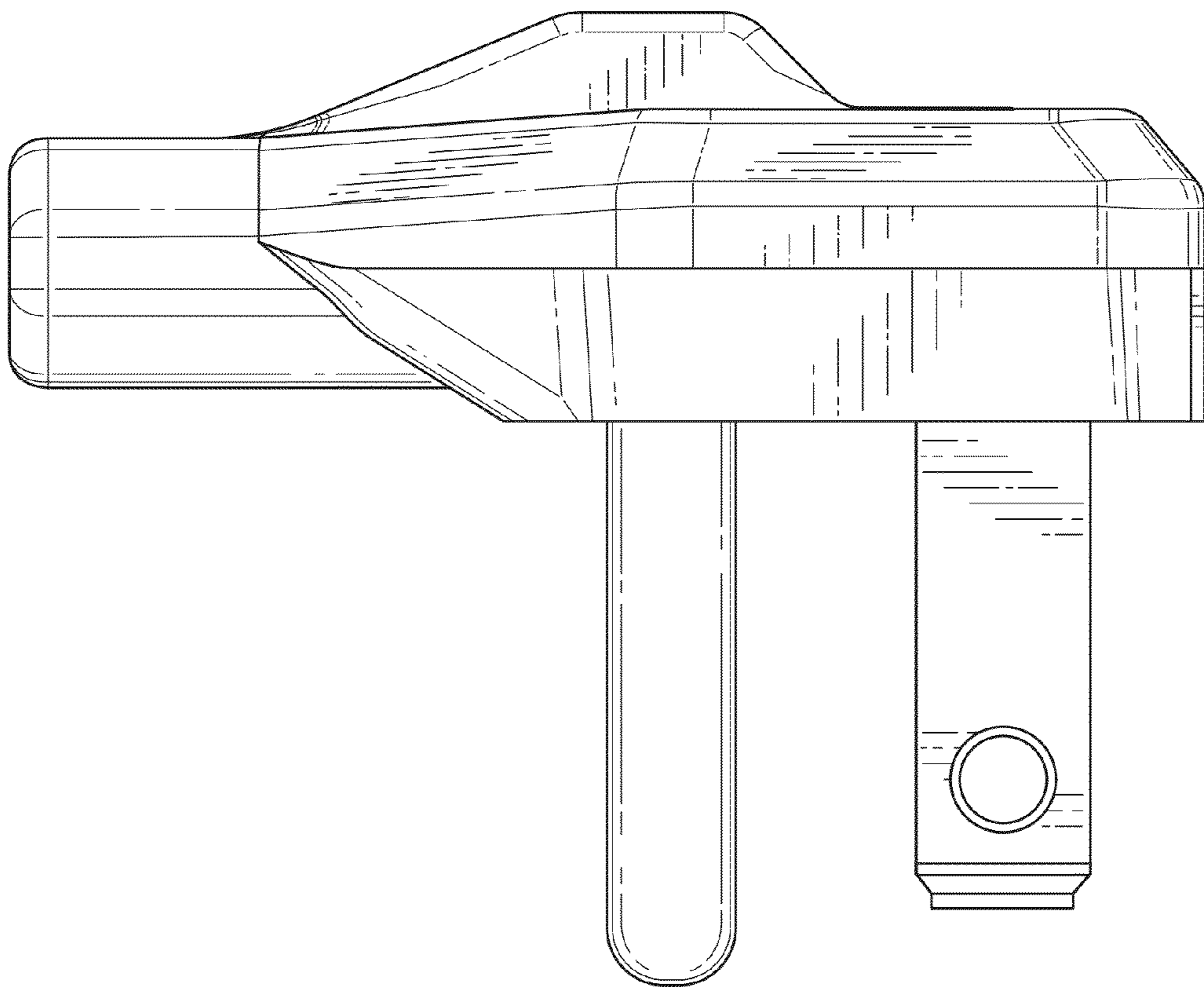


FIG. 6

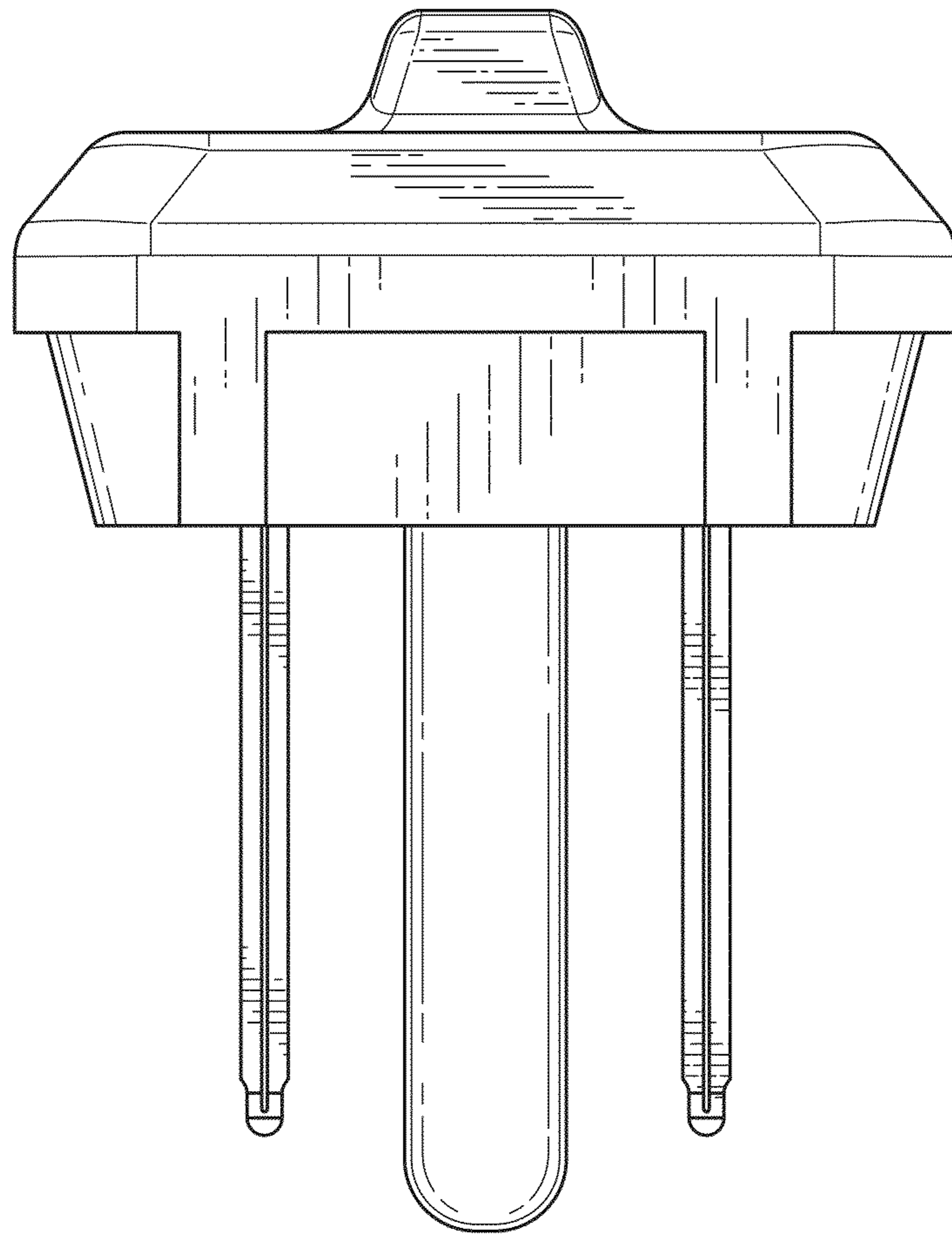


FIG. 7

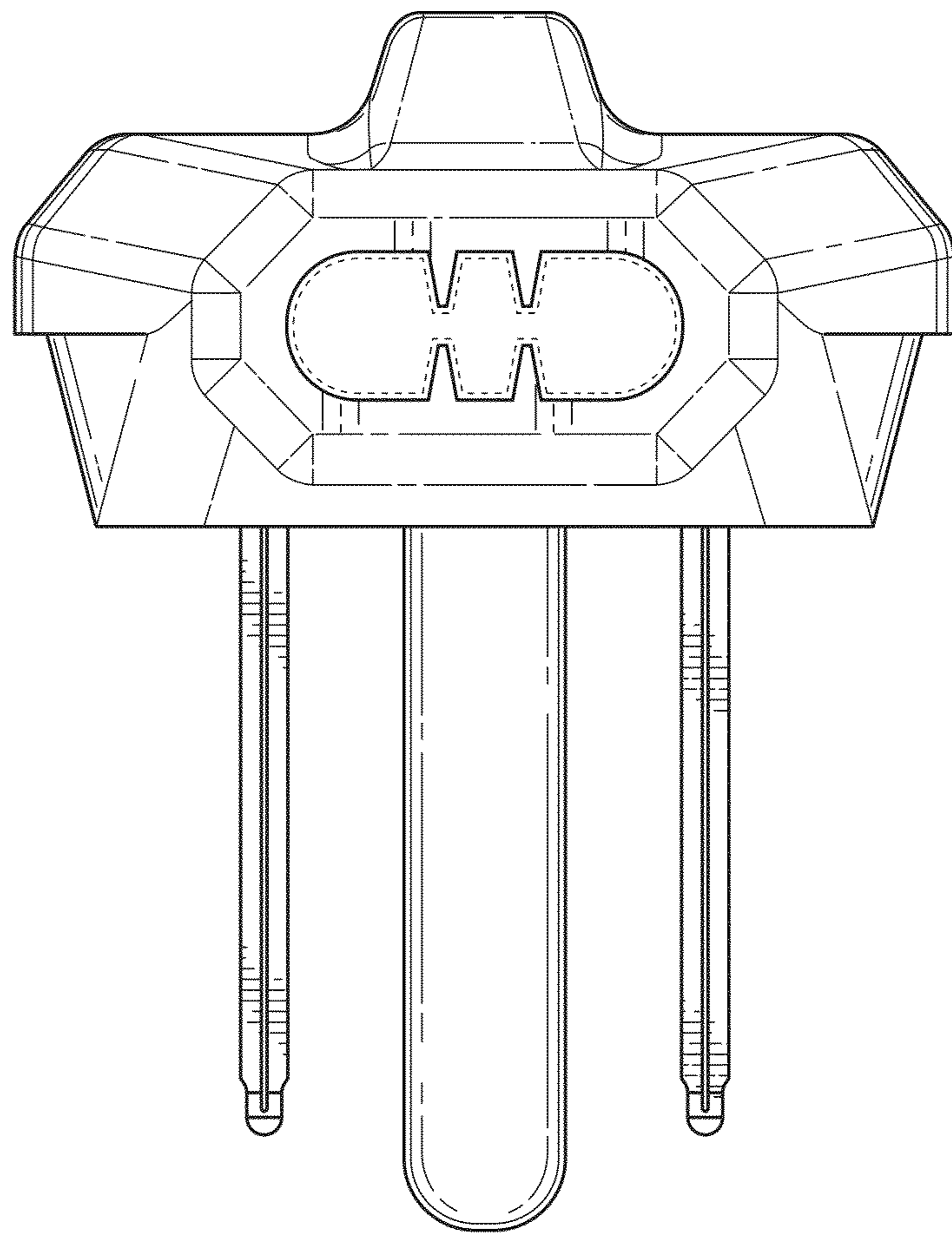


FIG. 8