



US00D733054S

(12) **United States Design Patent**  
**Ward et al.**

(10) **Patent No.:** **US D733,054 S**  
(45) **Date of Patent:** **\*\* Jun. 30, 2015**

- (54) **GROUND FAULT CIRCUIT INTERRUPTER**
- (71) Applicant: **Mainsafe Corporation**, Clearwater, FL (US)
- (72) Inventors: **Patrick Ward**, Ballinasloe (IE); **Paul Montalbano**, St. Cloud, FL (US)
- (73) Assignee: **Mainsafe Corporation**, Clearwater, FL (US)
- (\*\*) Term: **14 Years**
- (21) Appl. No.: **29/445,244**
- (22) Filed: **Feb. 8, 2013**
- (51) **LOC (10) Cl.** ..... **13-03**
- (52) **U.S. Cl.**  
USPC ..... **D13/137.3**
- (58) **Field of Classification Search**  
USPC ..... 174/66, 37-38; 200/5 R, 5 A, 1 B;  
338/201, 202; 361/641, 622, 602, 627,  
361/644, 660, 679.05, 118; 439/620.2;  
D13/152, 137.1, 139.6, 139.5, 139.8,  
D13/162, 156, 171, 158, 170, 177, 138.2,  
D13/138.1, 139.2, 137.3, 139.1, 139.4  
See application file for complete search history.

- D486,126 S \* 2/2004 Aromin ..... D13/137.2
- D486,792 S \* 2/2004 Stoughton ..... D13/137.2
- D682,214 S \* 5/2013 Miller ..... D13/139.8

**OTHER PUBLICATIONS**

<http://www.doityourself.com/forum/electrical-c-d-c/457055-gfci-problems.html> searched RMS Jun. 24, 2013.\*

\* cited by examiner

*Primary Examiner* — Holly Baynham  
*Assistant Examiner* — Rhea Shields  
(74) *Attorney, Agent, or Firm* — Withrow & Terranova, P.L.L.C.

(57) **CLAIM**  
The ornamental design for ground fault circuit interrupter, as shown and described.

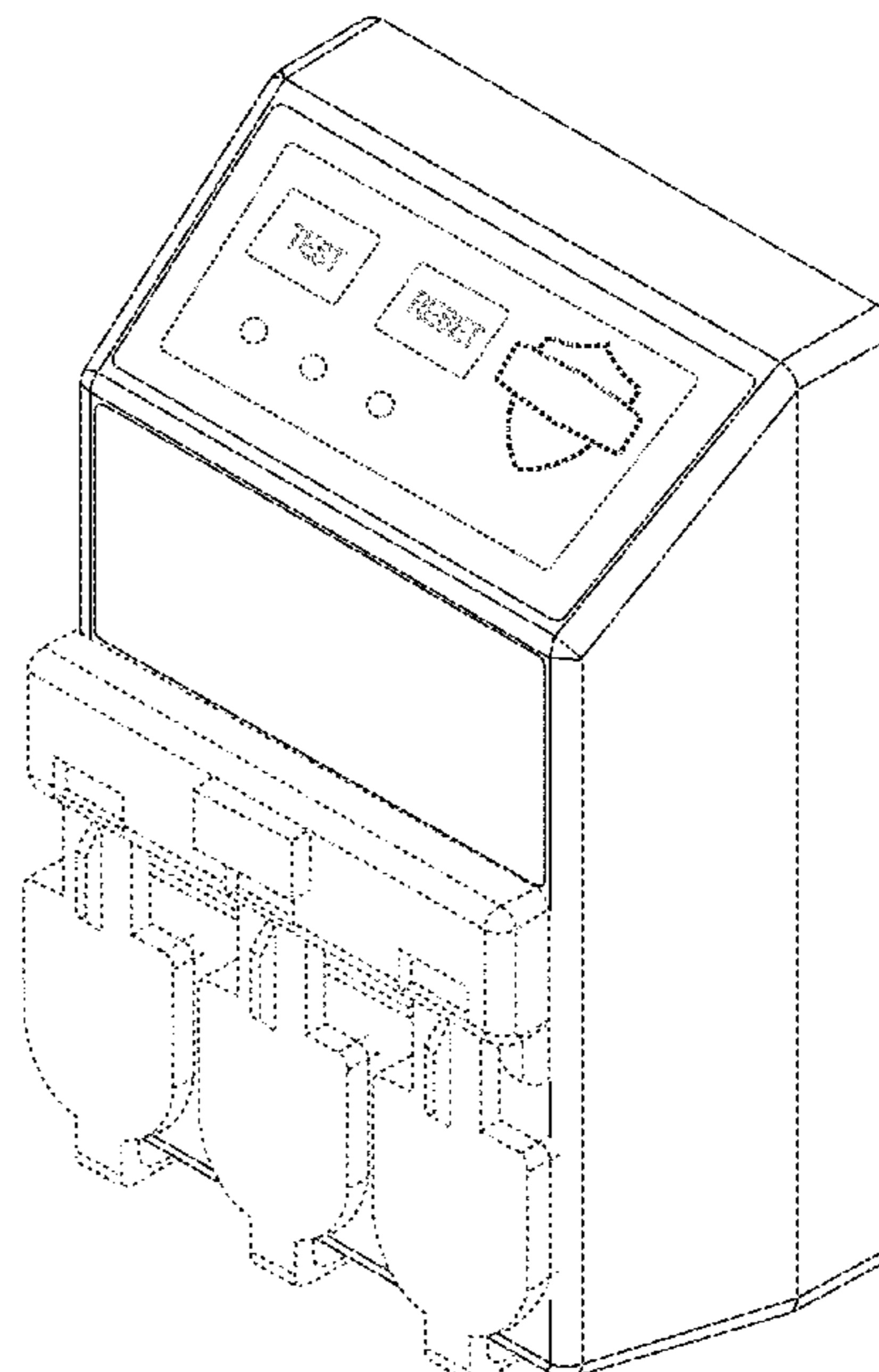
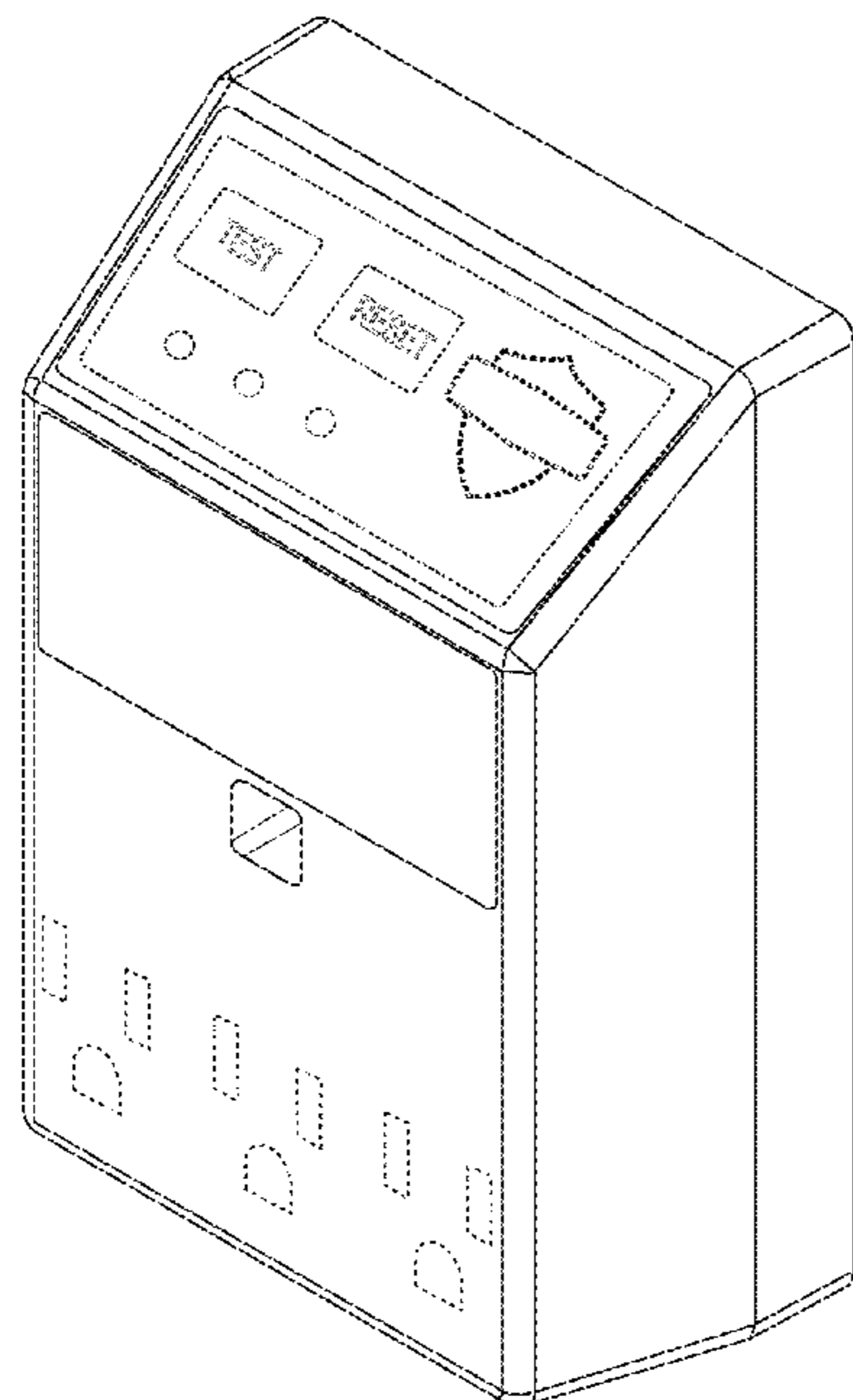
**DESCRIPTION**

FIG. 1 is a front elevation of a ground fault circuit interrupter according to a first embodiment;  
FIG. 2 is a front perspective view of the ground fault circuit interrupter of FIG. 1;  
FIG. 3 is a rear perspective view of the ground fault circuit interrupter of FIG. 1;  
FIG. 4 is a front elevation of a ground fault circuit interrupter according to a second embodiment;  
FIG. 5 is a front perspective view of the ground fault circuit interrupter of FIG. 4; and,  
FIG. 6 is a rear perspective view of the ground fault circuit interrupter of FIG. 4.  
In the drawings, the broken lines shown in the top panel, port plug, and openings depict unclaimed environmental subject matter. All other broken lines in the drawings depict the boundaries of the claim and form no part of the claimed design.

(56) **References Cited**  
U.S. PATENT DOCUMENTS

- D281,417 S \* 11/1985 Guichard ..... D13/137.3
- D284,758 S \* 7/1986 Maloney ..... D13/137.3
- D305,641 S \* 1/1990 DeLuca ..... D13/137.3
- D314,077 S \* 1/1991 Judd et al. .... D13/160
- D315,718 S \* 3/1991 Luu ..... D13/137.3
- D364,379 S \* 11/1995 Pogue et al. .... D13/160
- D399,186 S \* 10/1998 Yasuhara ..... D13/137.3

**1 Claim, 6 Drawing Sheets**



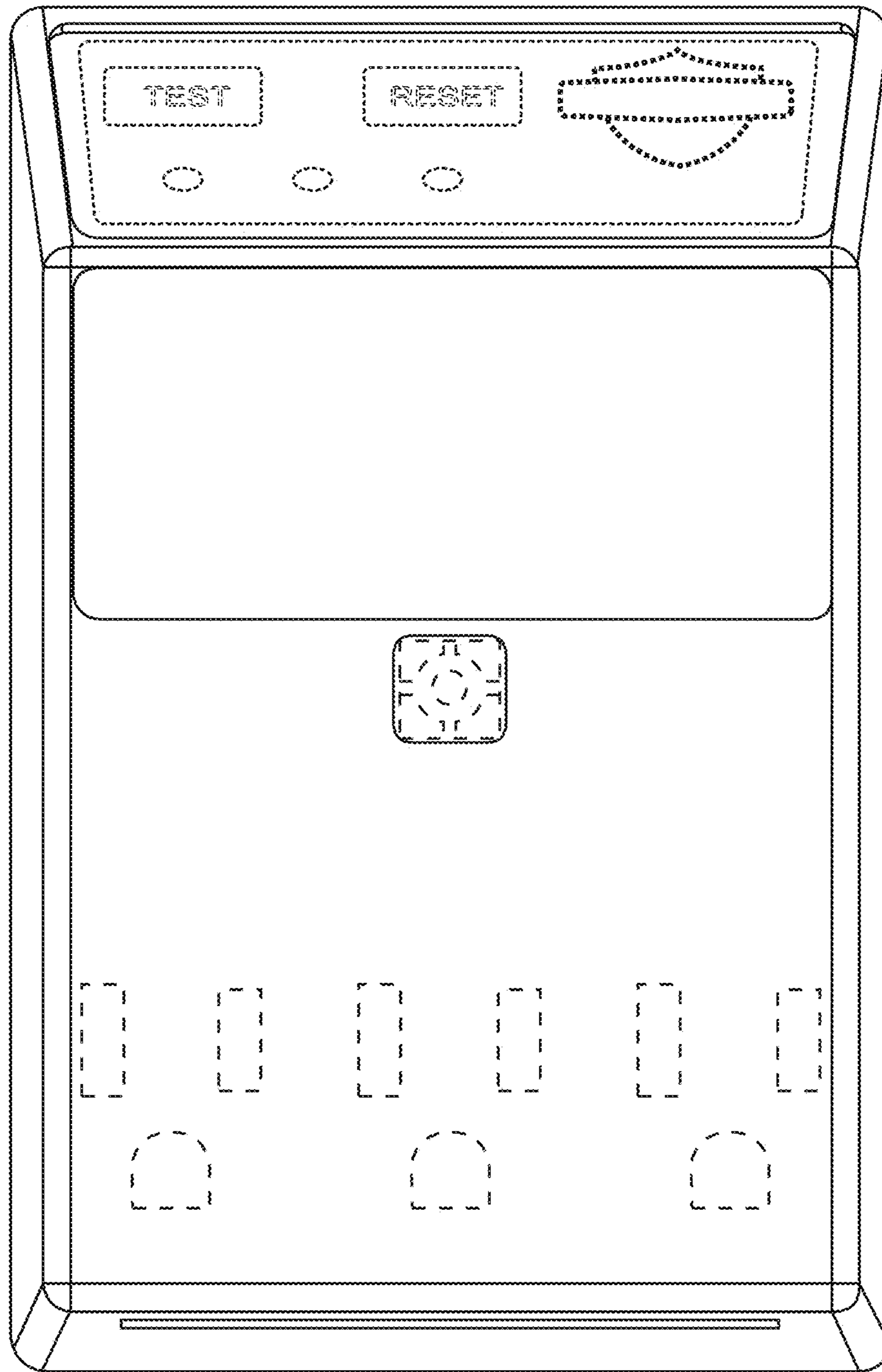


Figure 1

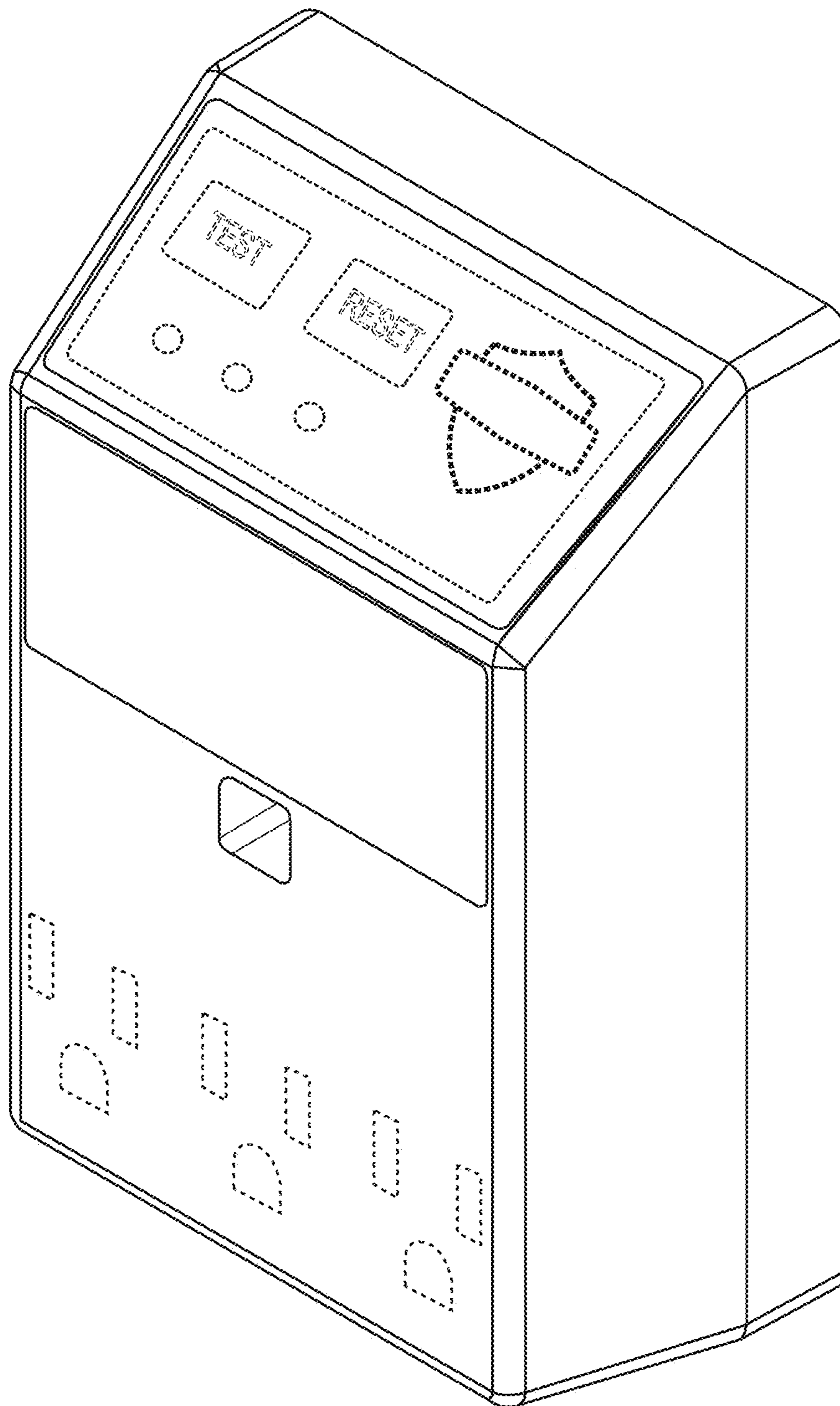


Figure 2

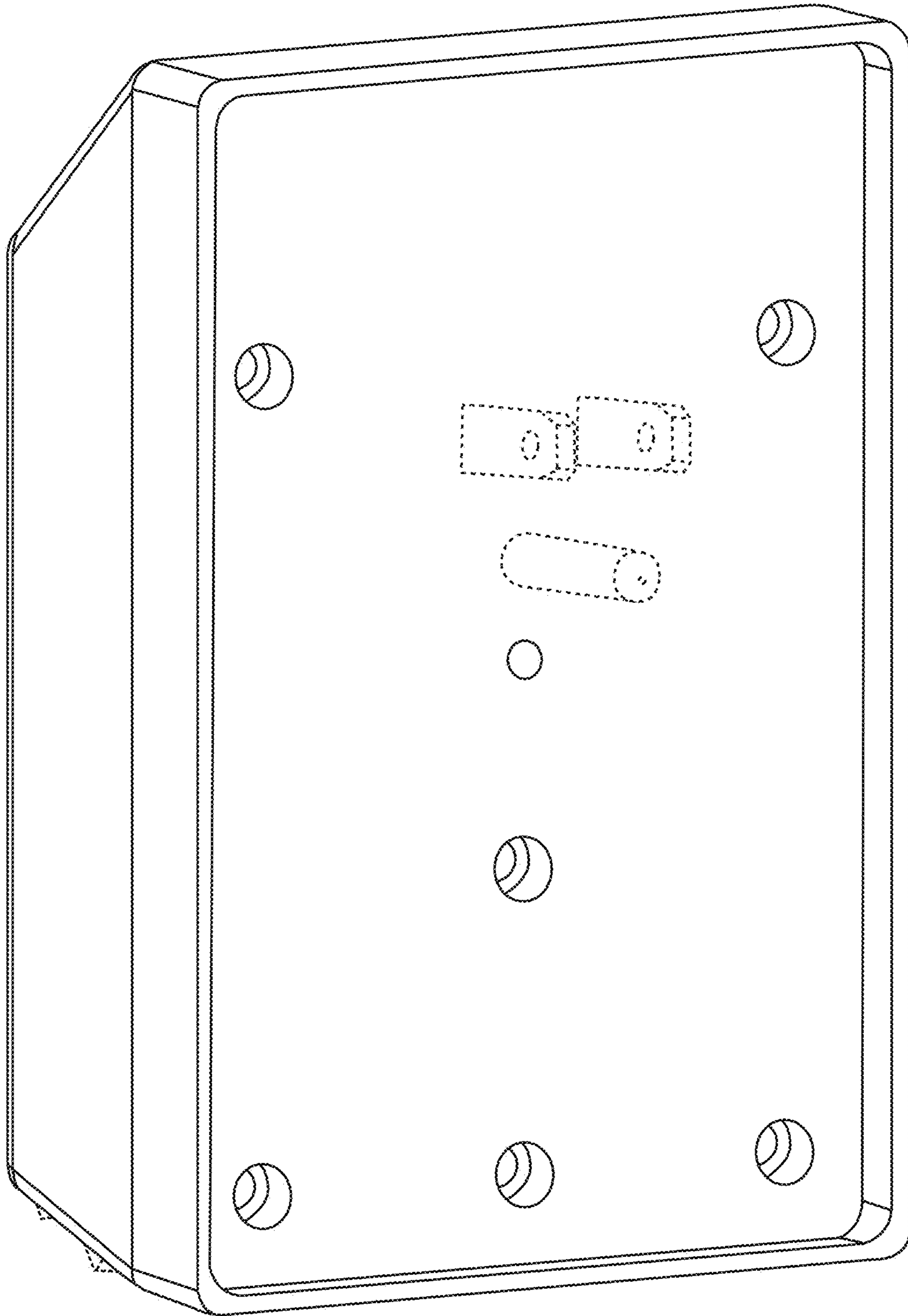


Figure 3

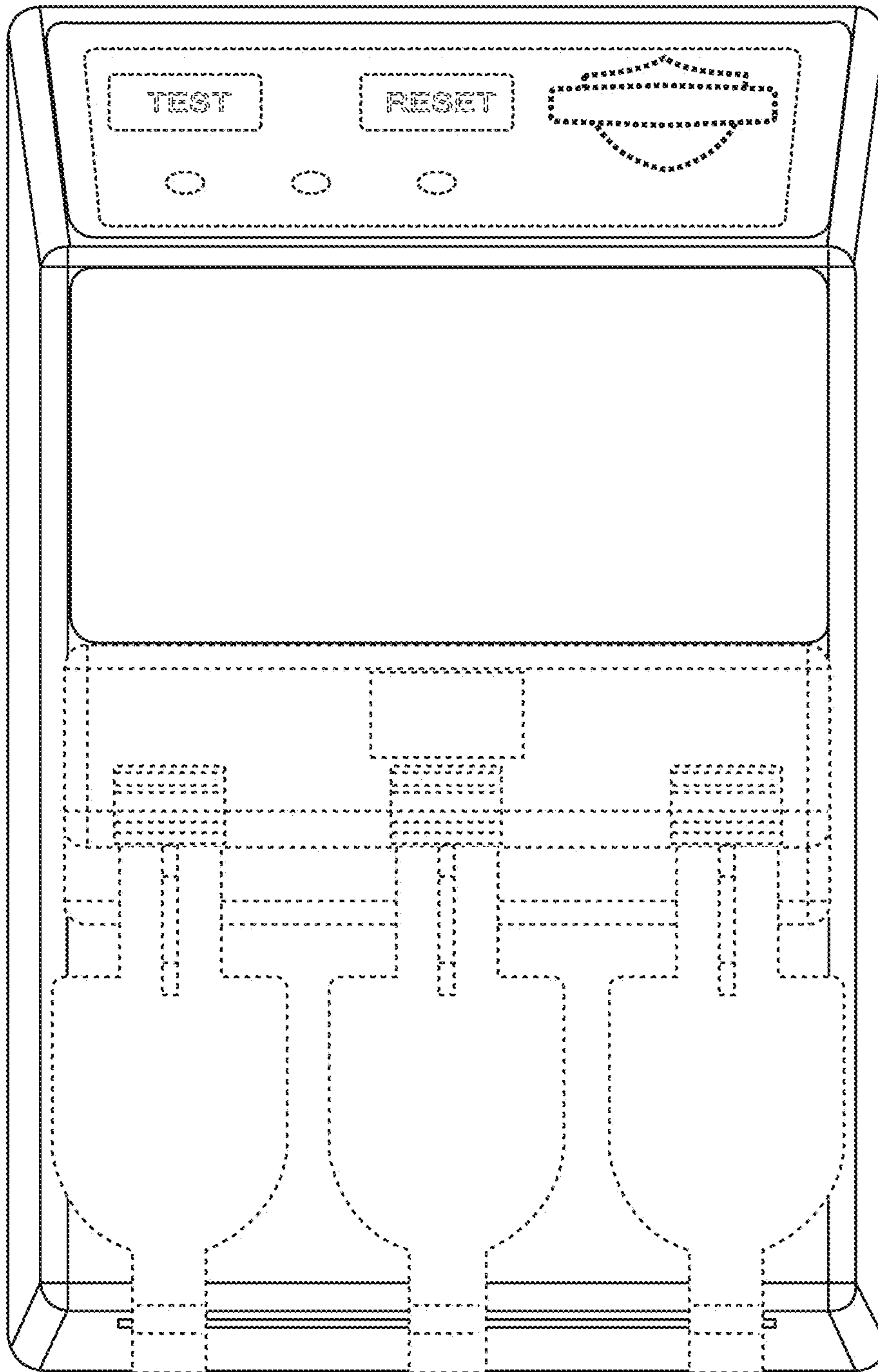


Figure 4

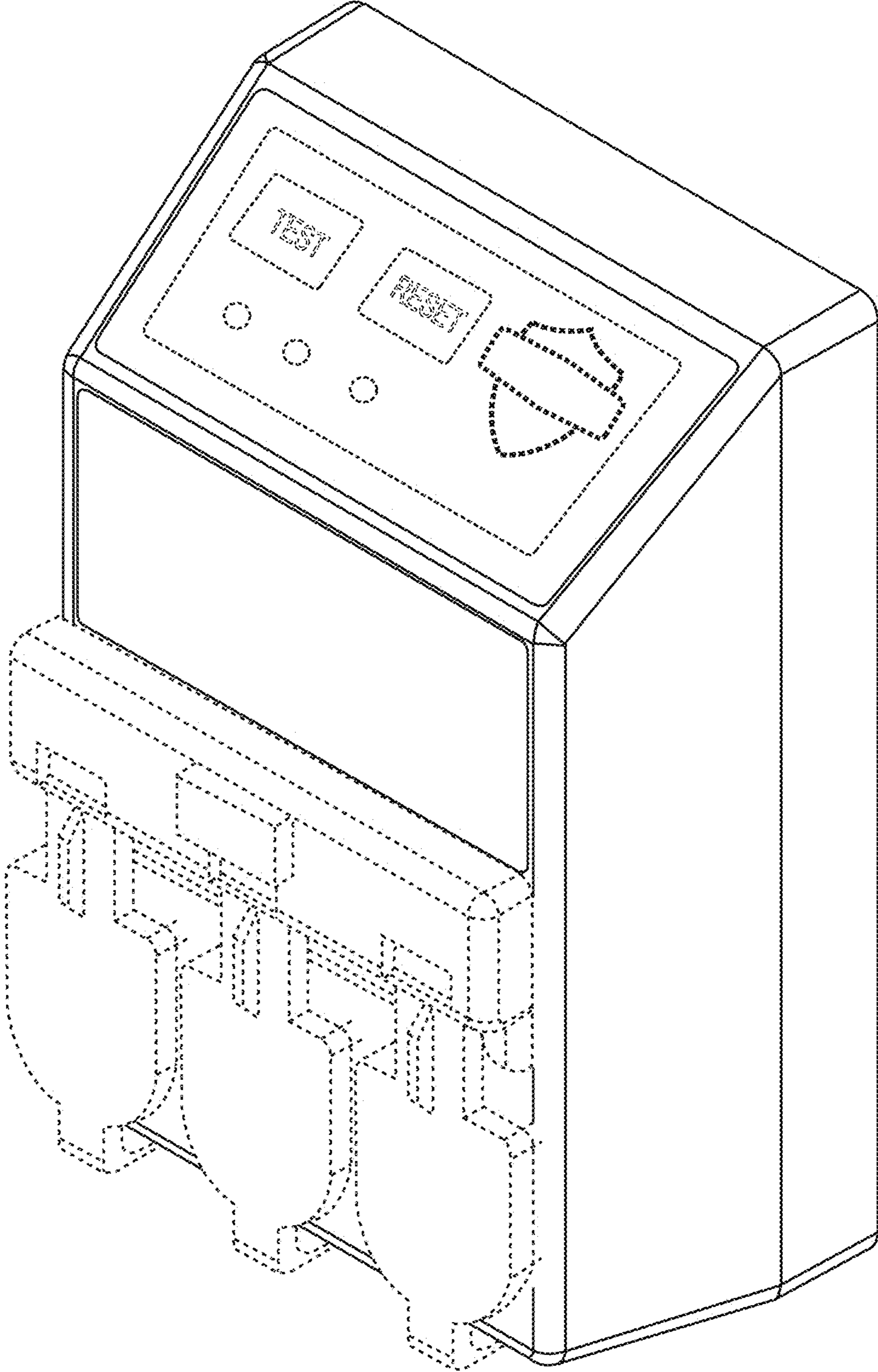


Figure 5

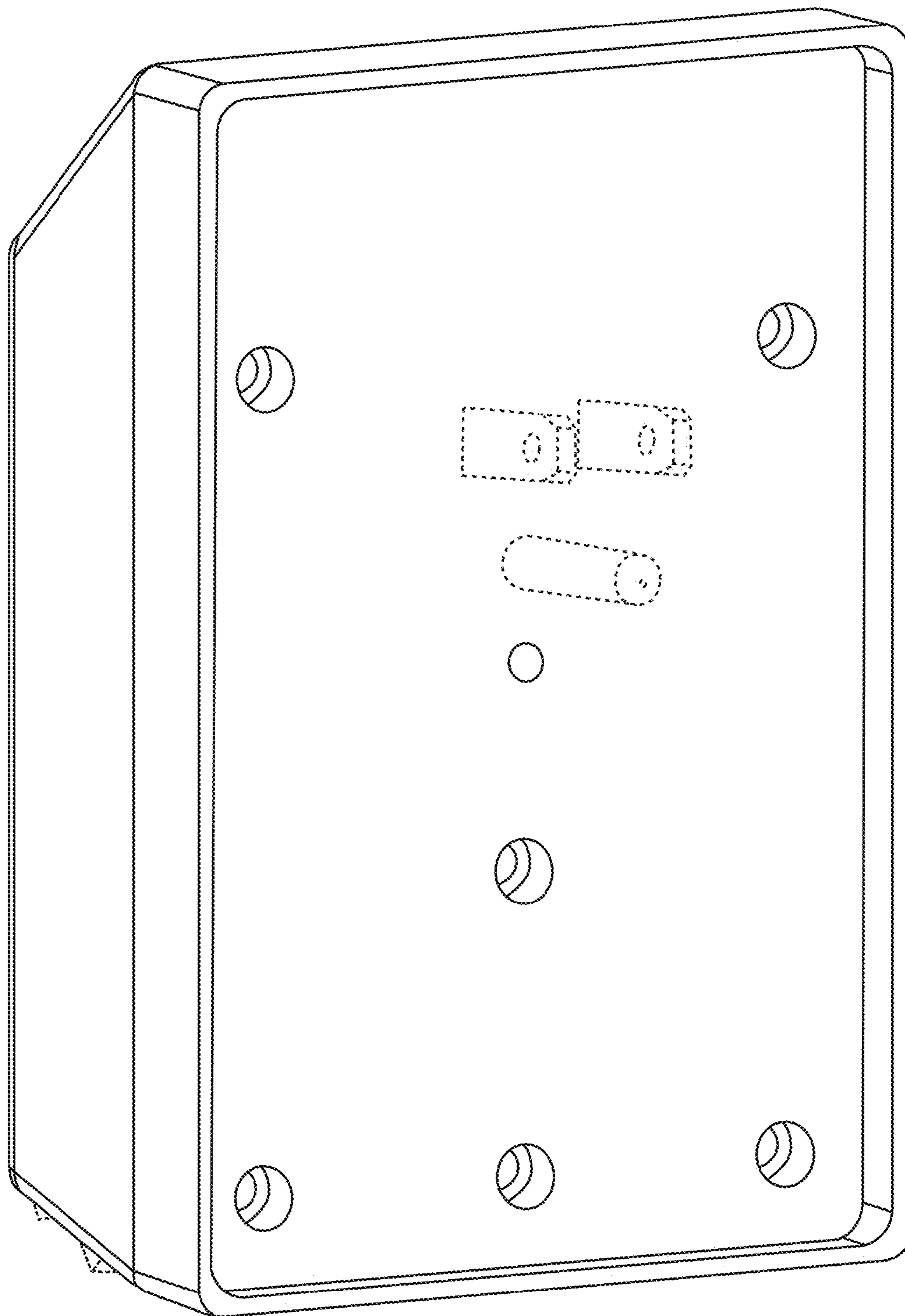


Figure 6