



US00D733053S

(12) **United States Design Patent**  
**Greig et al.**

(10) **Patent No.:** **US D733,053 S**  
(45) **Date of Patent:** **\*\* Jun. 30, 2015**

(54) **CONNECTOR APPARATUS**  
(71) Applicant: **Phitek Systems Limited**, Auckland (NZ)  
(72) Inventors: **Nigel Greig**, Auckland (NZ); **Edward Scholten**, Auckland (NZ); **William James Sim**, Auckland (NZ); **Hamish Dublon**, Auckland (NZ); **Brendon David Midgley**, Auckland (NZ)  
(73) Assignee: **PHITEK SYSTEMS LTD.**, Auckland (NL)

D616,826 S 6/2010 Ebihara  
D622,220 S 8/2010 Huang et al.  
D627,730 S 11/2010 Huang et al.  
D643,815 S 8/2011 Mark et al.  
D711,827 S \* 8/2014 Greig et al. .... D13/133  
D713,790 S \* 9/2014 Greig et al. .... D13/133  
2004/0209489 A1 10/2004 Clapper  
2011/0003505 A1 1/2011 Greig et al.  
2011/0124218 A1 5/2011 Huang et al.  
2011/0201228 A1 8/2011 Schumacher et al.  
2012/0315771 A1 12/2012 Greig et al.

(\*\*) Term: **14 Years**  
(21) Appl. No.: **29/470,539**  
(22) Filed: **Oct. 22, 2013**

**FOREIGN PATENT DOCUMENTS**

EP 2469663 6/2012

**OTHER PUBLICATIONS**

U.S. Appl. No. 29/432,802, filed Sep. 20, 2012.  
(Continued)

(30) **Foreign Application Priority Data**

Apr. 22, 2013 (NZ) ..... 417529

(51) **LOC (10) Cl.** ..... **13-03**  
(52) **U.S. Cl.**  
USPC ..... **D13/133**

(58) **Field of Classification Search**  
USPC ..... D13/118, 123, 133, 146, 149, 153, 154,  
D13/156, 183, 184, 199; 439/39, 374  
CPC ..... H01R 11/30; H01R 12/51; H01R 12/62;  
H01R 13/02; H01R 13/22; H01R 13/719;  
H01R 13/6205  
See application file for complete search history.

*Primary Examiner* — Thomas Johannes  
*Assistant Examiner* — Shawn T Gingrich  
(74) *Attorney, Agent, or Firm* — Jackson Walker LLP

(57) **CLAIM**

The ornamental design for a connector apparatus, as shown and described.

**DESCRIPTION**

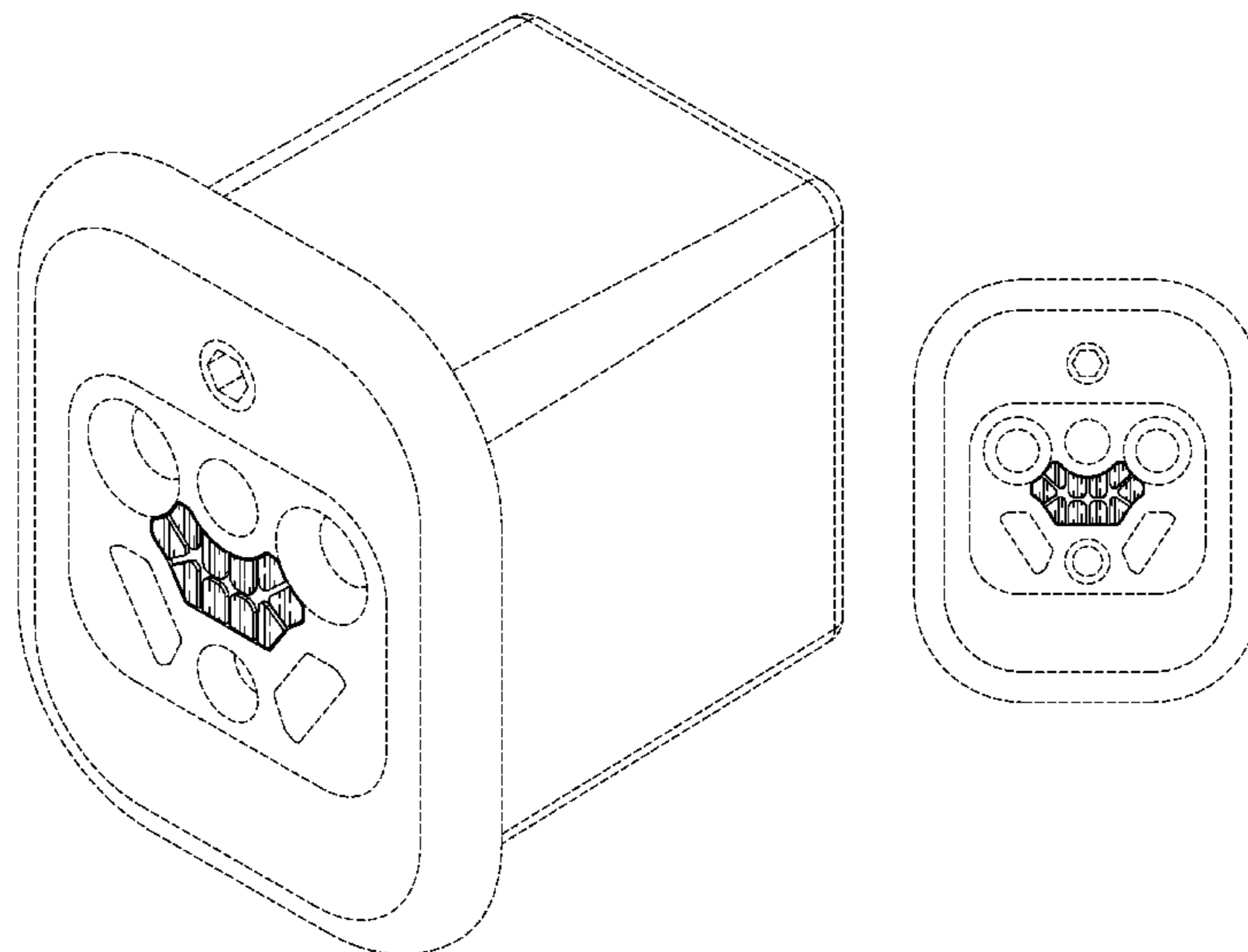
FIG. 1 is a perspective view of a connector apparatus showing our new design;  
FIG. 2 is a front elevational view thereof;  
FIG. 3 is a rear elevational view thereof;  
FIG. 4 is a left side elevational view thereof;  
FIG. 5 is a right side elevational view thereof;  
FIG. 6 is a bottom view thereof; and,  
FIG. 7 is a top view thereof.  
The broken line portion of the figure drawings is included to show unclaimed subject matter only and forms no part of the claimed design.

(56) **References Cited**

**U.S. PATENT DOCUMENTS**

D454,542 S 3/2002 Nakashima et al.  
D456,358 S 4/2002 Niklander et al.  
D604,697 S 11/2009 Sogo et al.  
D609,184 S 2/2010 Liu

**1 Claim, 3 Drawing Sheets**



(56)

**References Cited**

OTHER PUBLICATIONS

U.S. Appl. No. 29/432,801, filed Sep. 20, 2012.

U.S. Appl. No. 29/432,799, filed Sep. 20, 2012.

U.S. Appl. No. 13/847,268, filed Mar. 19, 2013.

U.S. Appl. No. 29/470,528, filed Oct. 2, 2013.

\* cited by examiner

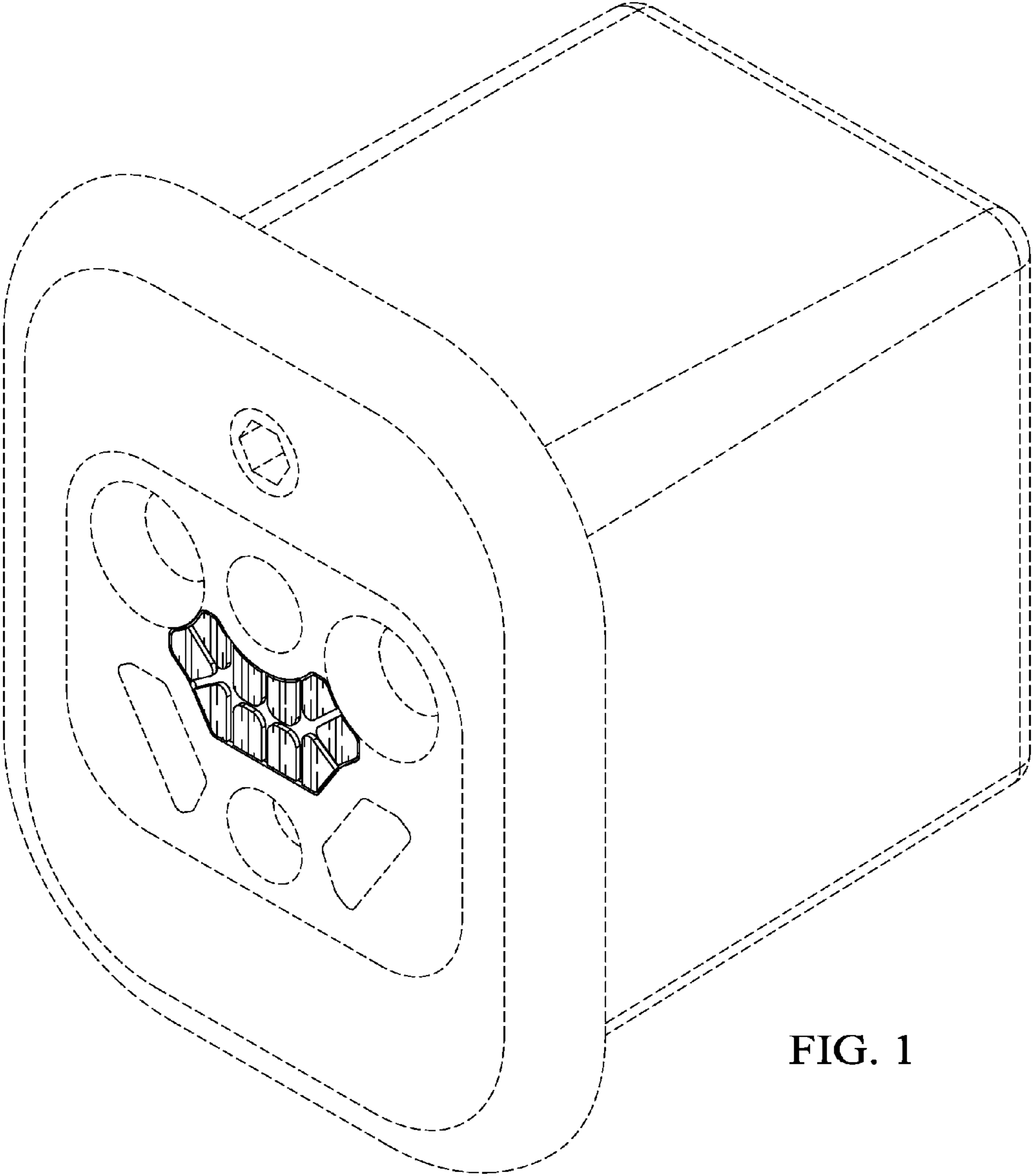


FIG. 1

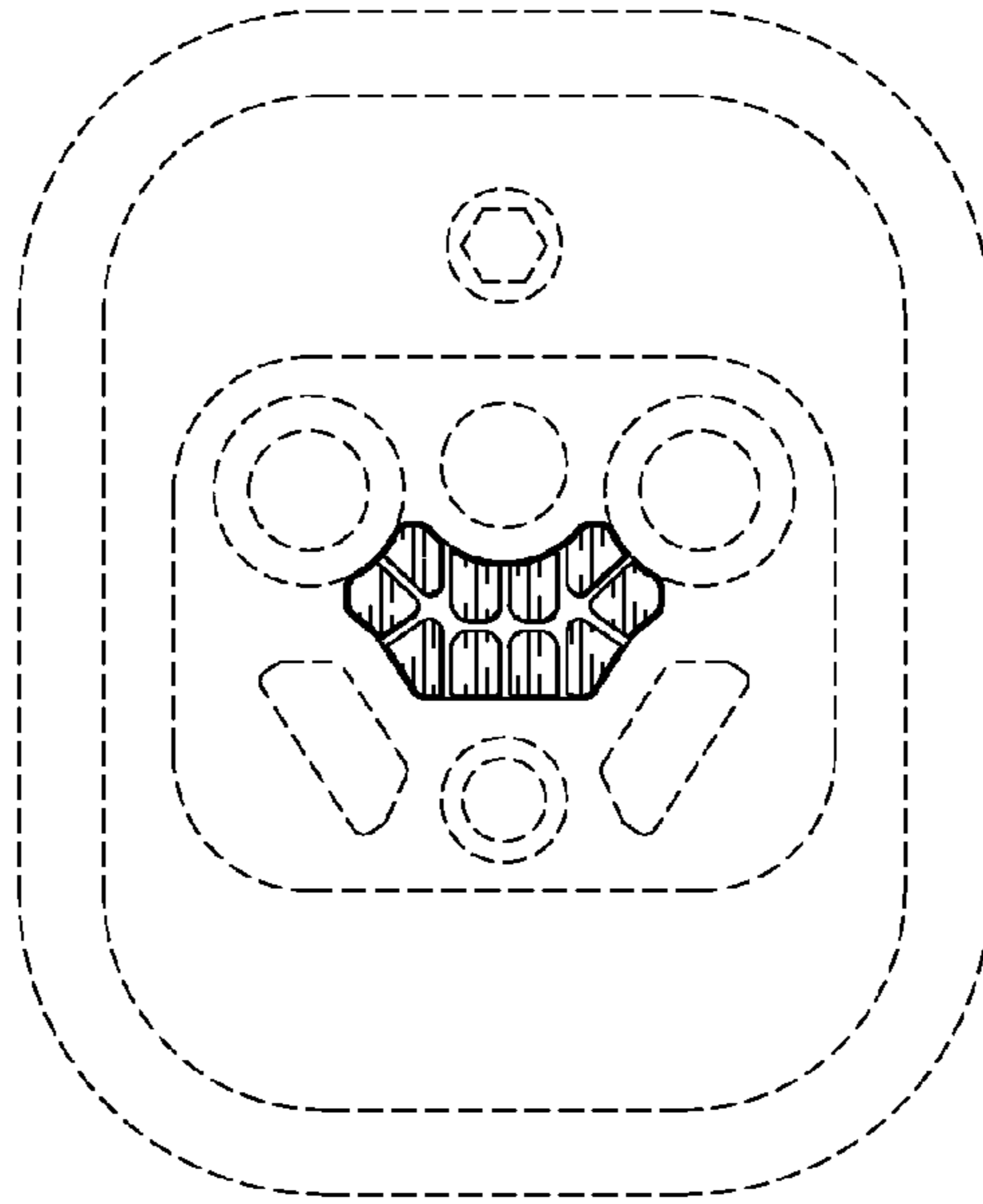


FIG. 2

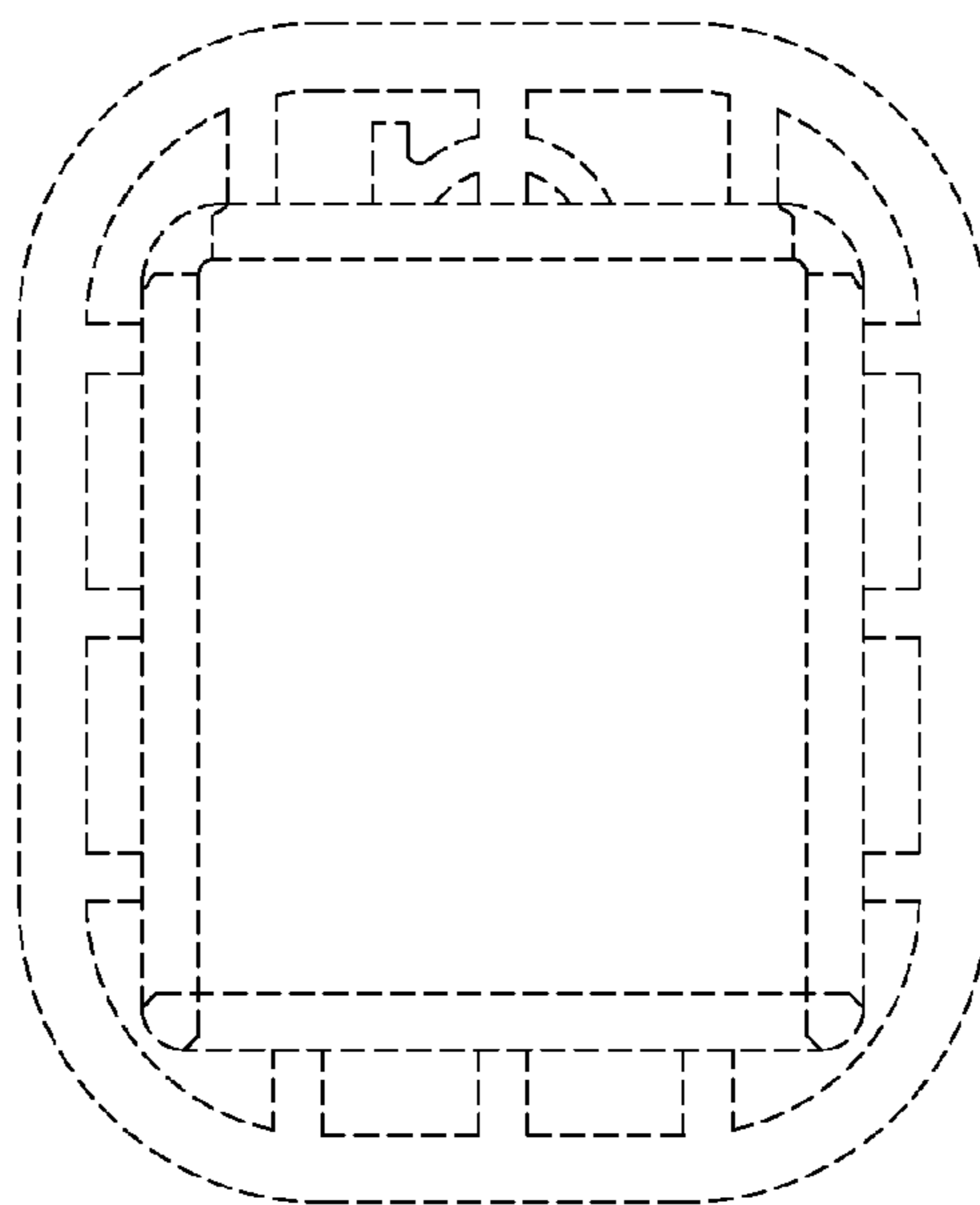


FIG. 3

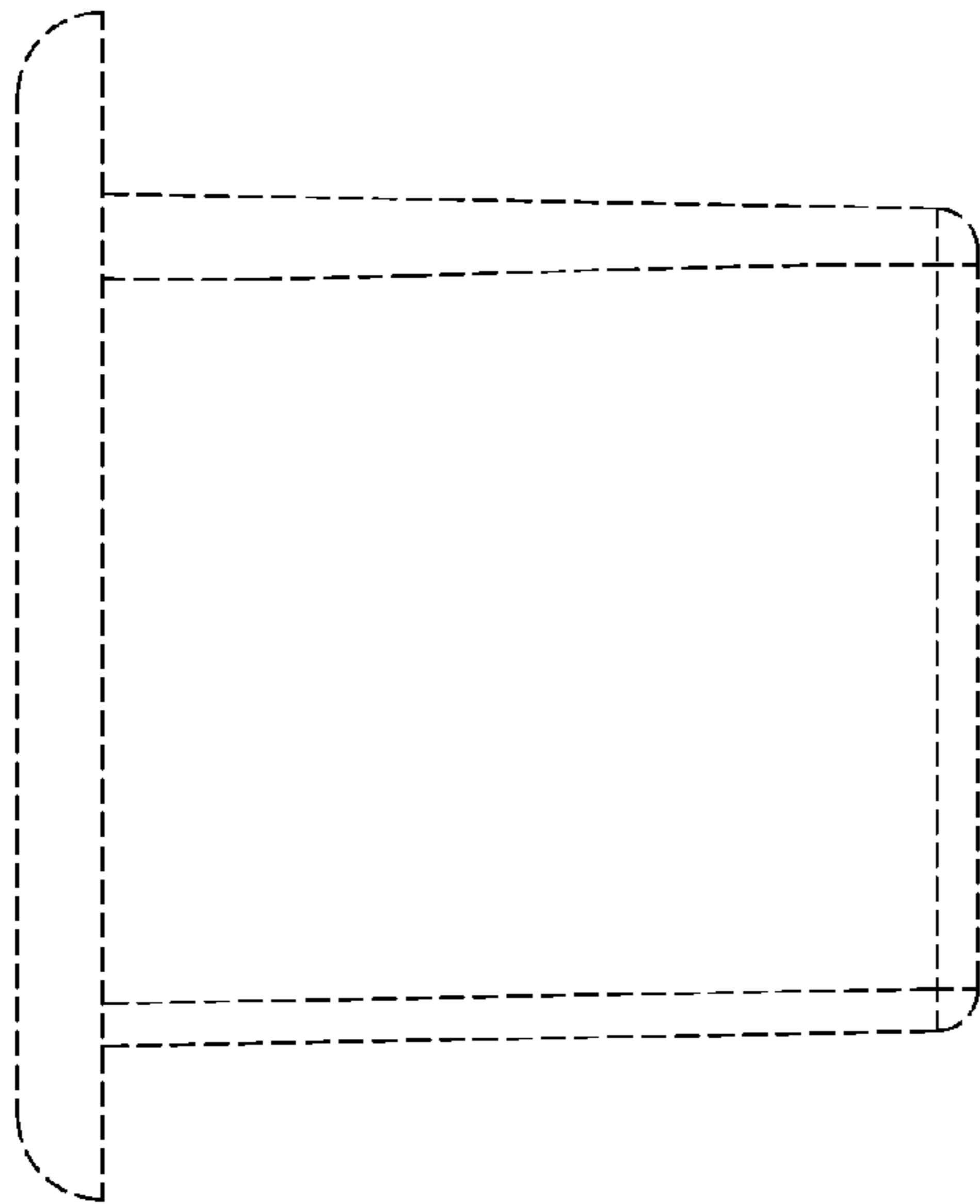


FIG. 4

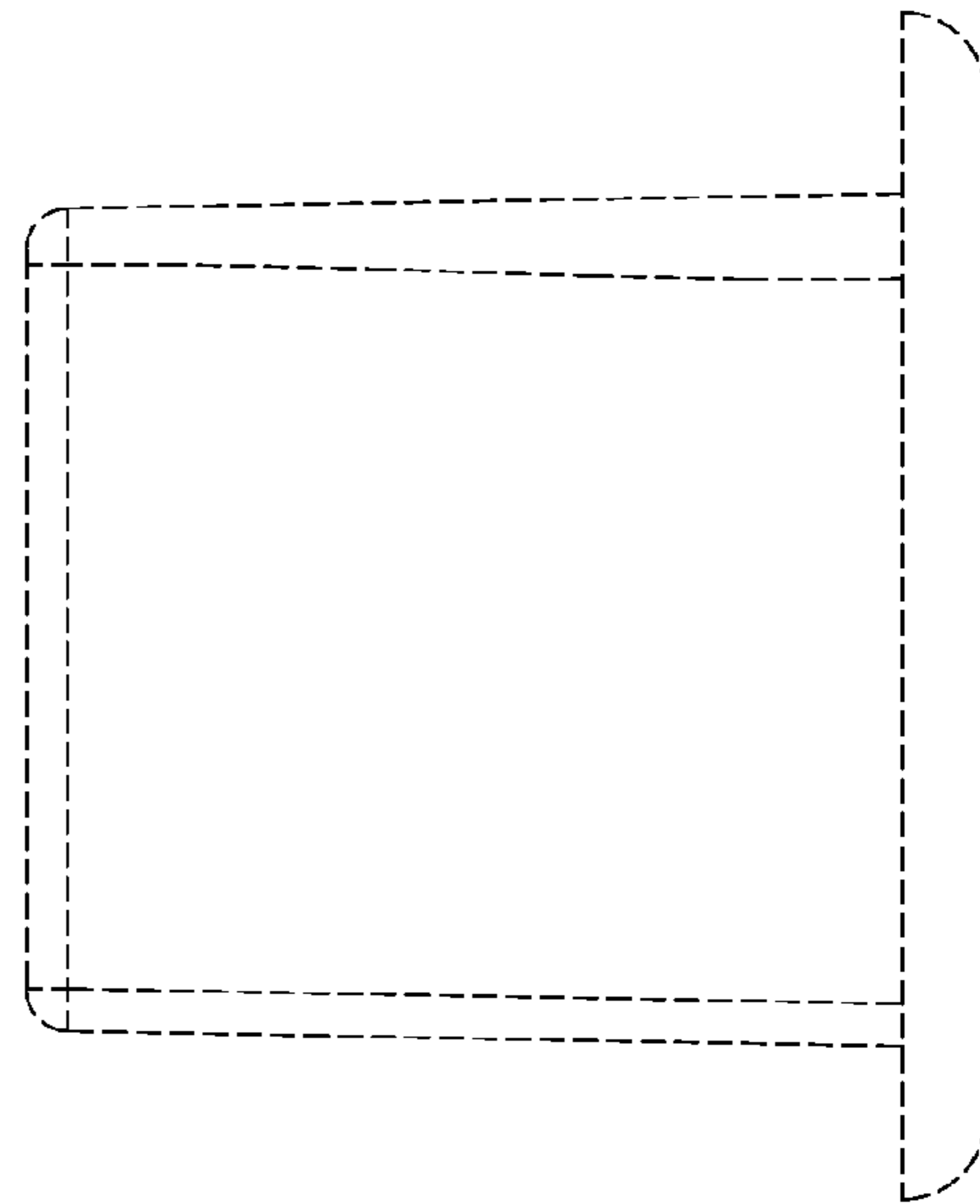


FIG. 5

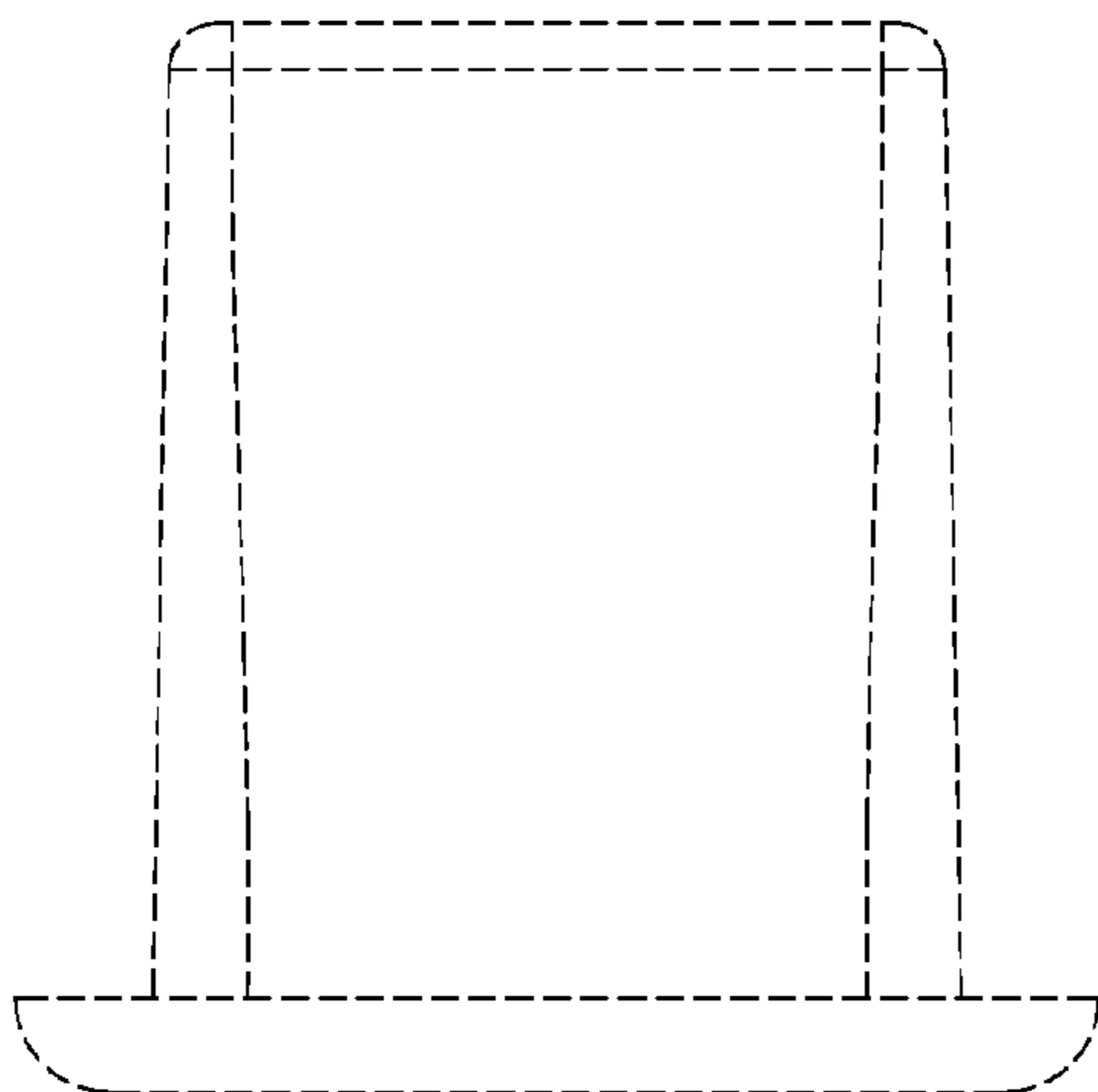


FIG. 6

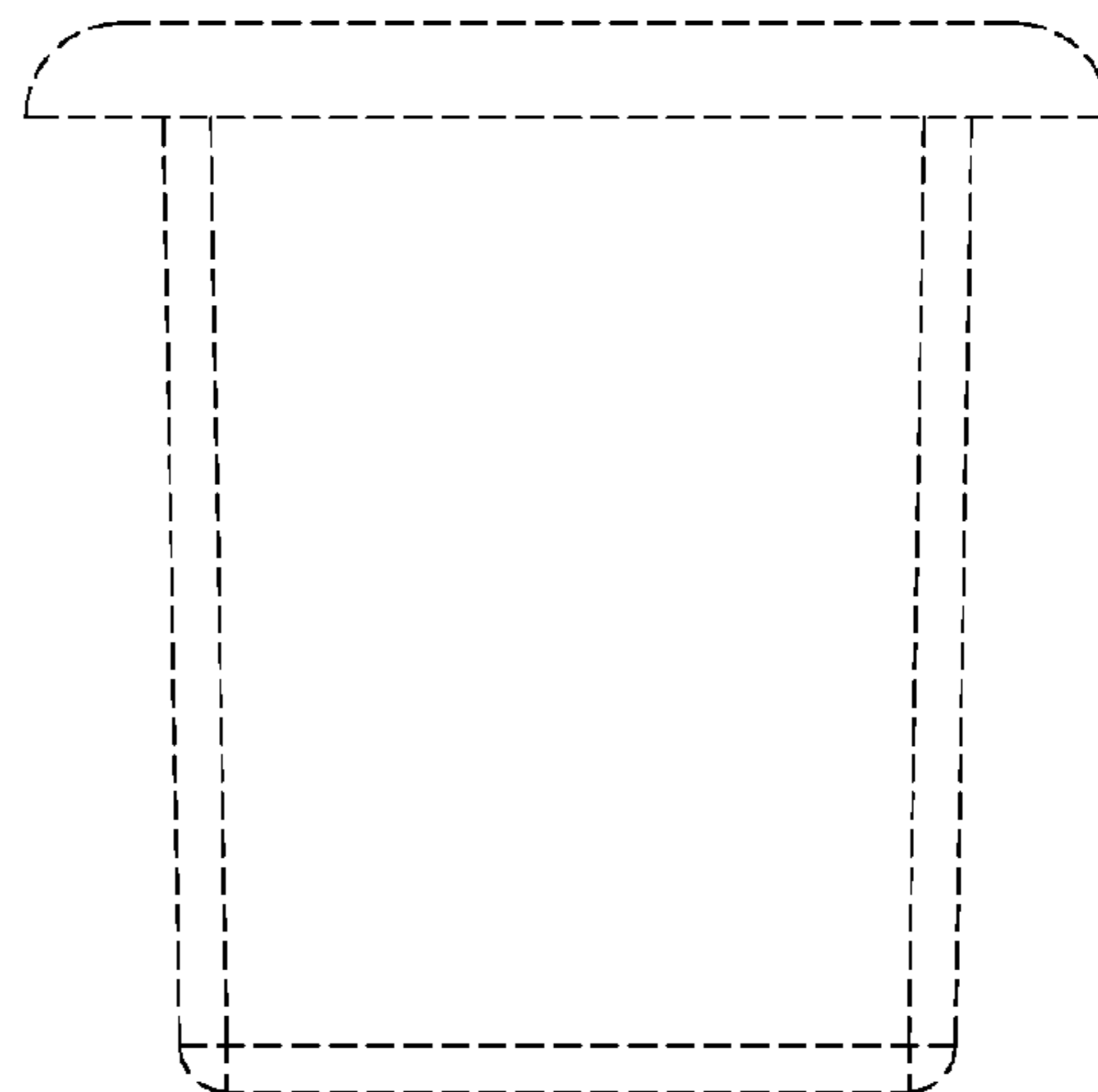


FIG. 7