



US00D733052S

(12) **United States Design Patent**
Markoski et al.

(10) **Patent No.:** **US D733,052 S**
(45) **Date of Patent:** **** Jun. 30, 2015**

- (54) **FLEXIBLE FUEL GENERATOR**
- (71) Applicant: **INI Power Systems, Inc.**, Morrisville, NC (US)
- (72) Inventors: **Larry J. Markoski**, Raleigh, NC (US); **Timothy C. Simmons**, Durham, NC (US); **Mack L. Nance**, Raleigh, NC (US)
- (73) Assignee: **INI Power Systems, Inc.**, Morrisville, NC (US)

2,520,226	A *	8/1950	Smith	280/652
2,986,135	A	5/1961	Clark et al.		
2,995,127	A	8/1961	Orr		
3,593,023	A	7/1971	Dodson et al.		
3,966,330	A *	6/1976	Ridler et al.	356/625

(Continued)

FOREIGN PATENT DOCUMENTS

CA	2860584	11/2014
CA	2865806	11/2014

(Continued)

OTHER PUBLICATIONS

U.S. Appl. No. 13/343,597, mailed Jan. 15, 2014, 19 pages.

(Continued)

Primary Examiner — Derrick Holland
Assistant Examiner — Jennifer O King
 (74) *Attorney, Agent, or Firm* — Evan Law Group LLC

(57) **CLAIM**

The ornamental design for a flexible fuel generator, as shown and described.

DESCRIPTION

FIG. 1 is a front perspective view of a flexible fuel generator; FIG. 2 is a back perspective view thereof; FIG. 3 is a left side perspective view thereof; FIG. 4 is a right side perspective view thereof; FIG. 5 is a top perspective view thereof; FIG. 6 is a bottom perspective view thereof; FIG. 7 is a front, top, and left side perspective view thereof; and, FIG. 8 is a back, top, and left side perspective view thereof. The broken lines shown represent unclaimed subject matter and form no part of the claimed design.

1 Claim, 8 Drawing Sheets

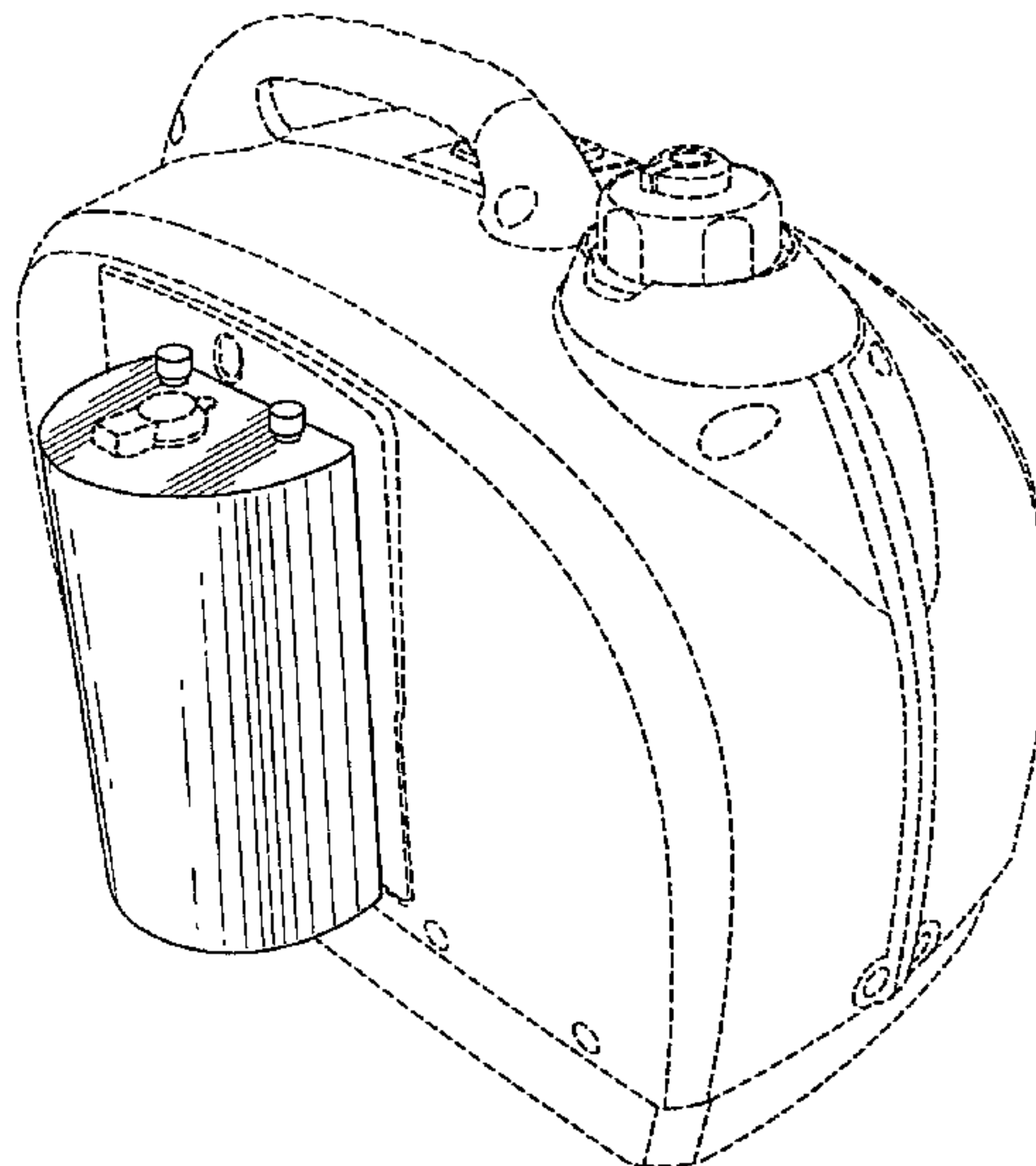
Related U.S. Application Data

- (62) Division of application No. PCT/US2012/071042, filed on Dec. 20, 2012.
- (51) **LOC (10) Cl.** **13-01**
- (52) **U.S. Cl.**
USPC **D13/112**
- (58) **Field of Classification Search**
USPC 123/2, 3; 290/1 A, 1 B, 1 R; 310/89; 322/100; 361/730, 836; D13/101, 110, D13/112, 113, 114, 115, 116, 118, 122, 184, D13/199; D23/351, 395
CPC F02B 63/04
See application file for complete search history.

(56) **References Cited**

U.S. PATENT DOCUMENTS

D10,647	S *	4/1878	Kimberly	D9/431
1,835,490	A	12/1931	Hesselman		
2,211,690	A *	8/1940	Edwards	336/67
2,503,490	A *	4/1950	Janz	43/55



(56)

References Cited

U.S. PATENT DOCUMENTS

4,109,193 A 8/1978 Schultheis
 4,221,206 A 9/1980 Haas
 4,386,938 A 6/1983 Earle
 4,433,548 A 2/1984 Hallstrom, Jr.
 4,489,680 A 12/1984 Spokas et al.
 4,508,071 A 4/1985 Drenner
 4,548,164 A 10/1985 Ylönen et al.
 D289,033 S * 3/1987 Makinson et al. D13/110
 4,968,941 A 11/1990 Rogers
 5,090,967 A 2/1992 Lindström
 5,162,662 A * 11/1992 Nakayama 290/1 A
 5,199,397 A 4/1993 Shelef et al.
 D340,565 S * 10/1993 Klopfenstein D34/25
 5,447,308 A * 9/1995 Girard 463/47.2
 5,458,350 A * 10/1995 Johnson et al. 280/47.26
 5,555,853 A 9/1996 Bowen et al.
 5,566,745 A 10/1996 Hill et al.
 D379,640 S * 6/1997 Gilbert D18/56
 5,794,601 A 8/1998 Pantone
 D417,651 S * 12/1999 Ohsumi D13/116
 D420,465 S * 2/2000 Cascio D28/8.1
 6,100,599 A * 8/2000 Kouchi et al. 290/1 A
 6,112,635 A * 9/2000 Cohen 89/36.02
 D437,825 S * 2/2001 Imai D13/116
 6,564,556 B2 5/2003 Ginter
 6,581,375 B2 6/2003 Jagtoyen et al.
 D477,569 S * 7/2003 Iwatate et al. D13/116
 6,739,289 B2 5/2004 Hiltner et al.
 D518,771 S * 4/2006 Xiao D13/116
 D520,948 S * 5/2006 Xiao D13/116
 7,049,707 B2 5/2006 Wurtele
 D532,748 S * 11/2006 Disbennett et al. D13/110
 7,161,253 B2 * 1/2007 Sodemann et al. 290/1 A
 7,183,746 B1 2/2007 Carter
 7,302,795 B2 12/2007 Vetrotec
 D594,819 S * 6/2009 Yamamoto et al. D13/116
 D597,485 S * 8/2009 Ma D13/116
 7,765,794 B2 8/2010 Alexander
 7,849,680 B2 12/2010 Shaff et al.
 7,893,658 B2 2/2011 Bhardwaj
 D633,443 S * 3/2011 Wang et al. D13/116
 8,061,121 B2 11/2011 Haugen
 D650,739 S * 12/2011 Cai D13/116
 8,100,093 B2 1/2012 Morgenstern
 D662,881 S * 7/2012 He et al. D13/116
 8,601,772 B2 12/2013 Turpin et al.
 2002/0148221 A1 10/2002 Jagtoyen et al.
 2004/0004356 A1 * 1/2004 Akimoto et al. 290/1 B
 2004/0221828 A1 11/2004 Ries-Mueller et al.
 2010/0019729 A1 1/2010 Kaita et al.
 2010/0201328 A1 8/2010 Monsive, Jr.
 2011/0114068 A1 5/2011 Habing et al.
 2011/0168128 A1 7/2011 Bradley et al.
 2012/0012574 A1 * 1/2012 Vandrak et al. 219/220
 2012/0291420 A1 11/2012 Kim et al.
 2013/0131966 A1 5/2013 Hirano
 2013/0168969 A1 7/2013 Markoski
 2013/0221684 A1 8/2013 Markoski
 2015/0014998 A1 1/2015 Markoski
 2015/0034025 A1 2/2015 Markoski et al.

FOREIGN PATENT DOCUMENTS

CN 200952429 Y 9/2007
 CN 201330438963.6 2/2014
 DE 10 2009 052 571 A1 5/2011
 EA 1 069 295 A2 1/2001
 EP 1 383 224 A1 4/2002
 EP 1 505 709 A2 7/2004
 FR 2 815 486 10/2000
 FR 2 959 888 A1 5/2010
 FR 2 962 002 A1 6/2010
 GB 2 184075 A 12/1985
 GB 1302360.1 3/2013

GB 1302360.1 6/2013
 GB 1302360.1 1/2014
 IL 233473 1/2015
 IN 256526 12/2013
 JP 64-32060 2/1989
 JP 2010-236301 9/1998
 JP 11-190220 7/1999
 JP 2001-27128 1/2001
 JP 2003-219573 7/2003
 JP 2003-293771 10/2003
 JP 2003-293788 10/2003
 JP 2004-245219 9/2004
 JP 2006-188980 7/2006
 JP 2008-54442 3/2008
 JP 2008-255831 10/2008
 JP 2010-20906 1/2010
 JP 2010-158129 7/2010
 JP 2011-120346 6/2011
 JP 2011-252407 12/2011
 JP 2012-7508 1/2012
 JP 2012-23825 2/2012
 JP 2012-34488 2/2012
 JP 2010-279107 12/2012
 WO WO 95/26464 10/1995
 WO WO 2011/015731 A1 2/2011
 WO WO 2012/005021 1/2012
 WO WO 2012/011568 1/2012
 WO PCT/US2012/070849 3/2013
 WO WO 2013/103532 A1 7/2013
 WO WO 2013/103542 A2 7/2013
 WO 1302360.1 8/2013
 WO WO 2013/130533 9/2013
 WO PCT/US13/27922 11/2013
 WO PCT/US13/27922 1/2014
 WO PCT/US2012/070849 7/2014
 WO PCT/US2012/071042 8/2014
 WO PCT/US13/27922 9/2014

OTHER PUBLICATIONS

U.S. Appl. No. 13/408,903, mailed Jan. 6, 2014, 14 pages.
 U.S. Appl. No. 13/408,903, mailed Feb. 28, 2014, 3 pages.
 U.S. Appl. No. 13/408,903, mailed Apr. 16, 2014, 20 pages.
 Honda Owner's Manual Generator EU1000i, 92 pages, (2008).
 Options for Generators and Welders, located at www.hondapowerequipment.com/pdf/Accessories/ml.repap44a.generators.pdf, 15 pages, downloaded Oct. 1, 2011.
 Yamaha Inverter EF2000iS Specifications, located at www.yamahamotor.com/outdoor/products/modelspecs_pdf.aspx?Is=outdoor&mid=626&showprevmodel=0, 1 page, downloaded Oct. 2011.
 Yamaha Inverter EF1000iS Specifications, located at www.yamahamotor.com/outdoor/products/modelspecs_pdf.aspx?Is=outdoor&mid=442&showprevmodel=0, 1 page, downloaded Oct. 2011.
 Specification of Honda EU1000i, located at www.hondapowerequipment.com/products/modeldetail.aspx?page=modeldetail§ion=P2GG&modelname=EU1000i&modelid=EU1000IKN, 1 page, downloaded Oct. 1, 2011.
 Specification of Honda EU2000i, located at www.hondapowerequipment.com/products/modeldetail.aspx?page=modeldetail§ion=P2GG&modelname=EU2000i&modelid=EU2000IKN, 1 page, downloaded Oct. 1, 2011.
 Honda Power Equipment Decibels chart, located at www.hondapowerequipment.com/images/dbchart.jpg., 1 page, downloaded Oct. 1, 2011.
 "Gasoline", Wikipedia, pp. 1-13, found at http://en.wikipedia.org/wiki/gasoline, printed on Dec. 4, 2012.
 "Petrol-paraffin engine", Wikipedia, pp. 1-2, found at http://en.wikipedia.org/wiki/petrol-paraffin_engine, printed on Dec. 3, 2012.
 Yamaha Generator Owners Manual EF1000iS, 41 pages, 2004.
 U.S. Appl. No. 13/343,597, mailed Sep. 30, 2014, 15 pages.
 United Kingdom Search and Examination Report dated Mar. 27, 2013 for GB application No. GB1302360.1, 10 pages.
 International Search Report dated Mar. 15, 2013 for PCT application No. PCT/US/2012/070849.
 U.S. Appl. No. 14/370,374, mailed Dec. 31, 2014, 26 pages.

(56)

References Cited

OTHER PUBLICATIONS

U.S. Appl. No. 29/522,542, filed Mar. 3, 2015.
Translation of Japanese Office Action dated Feb. 12, 2015.

Translation of Japanese Office Action dated Mar. 2, 2015.

U.S. Appl. No. 14/370,374, mailed Feb. 25, 2015, 3 pages.

* cited by examiner

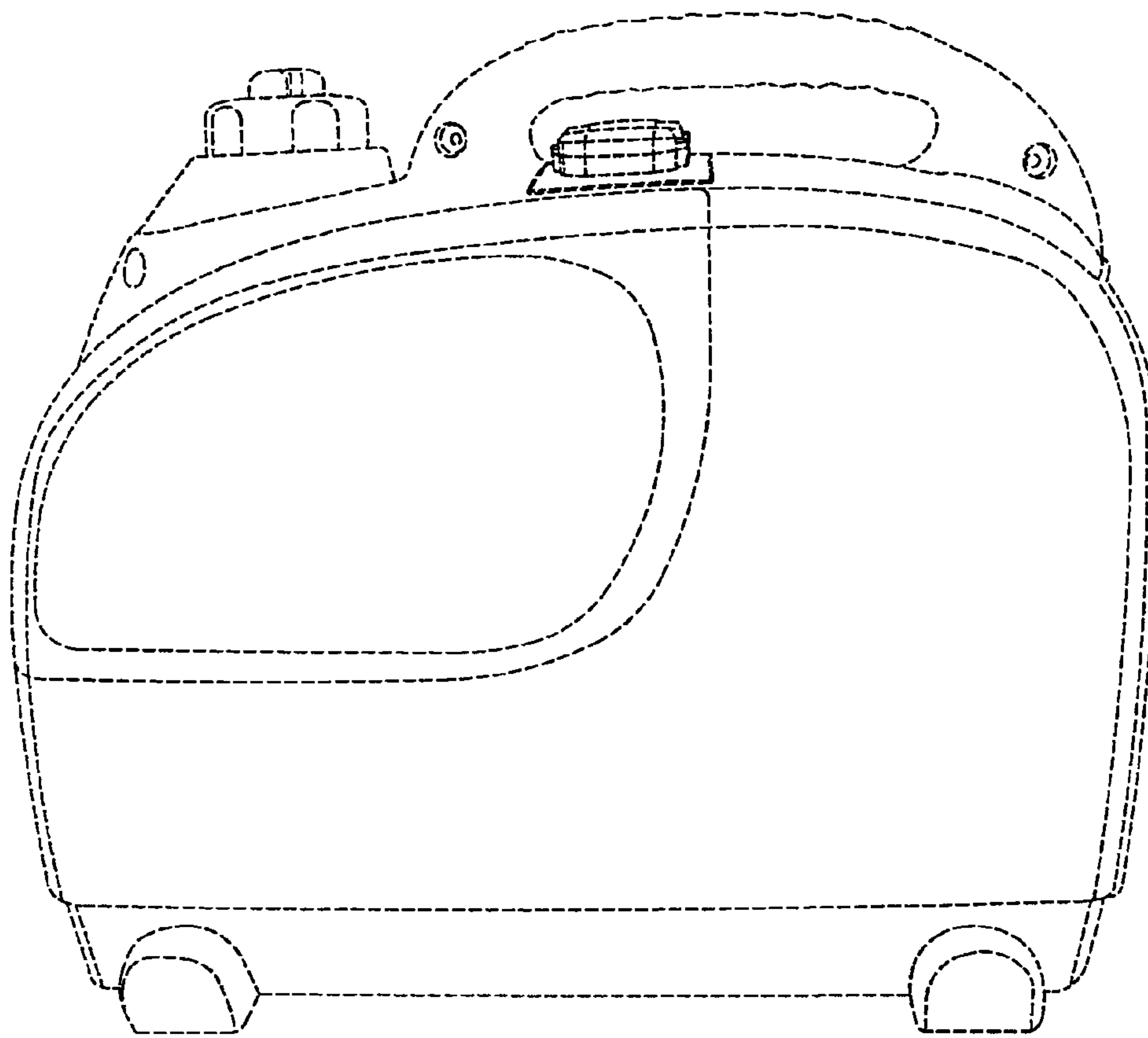


FIG. 1

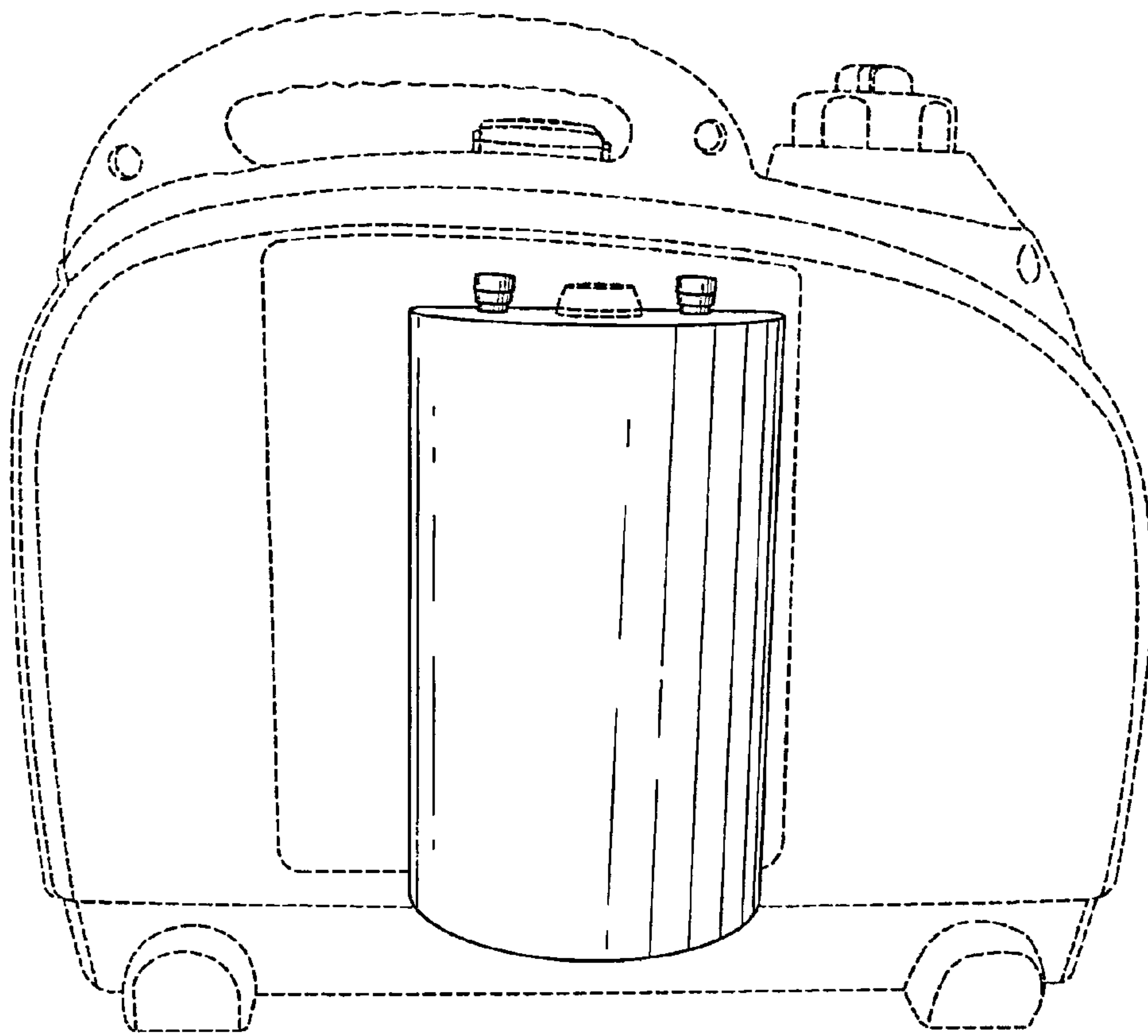


FIG. 2

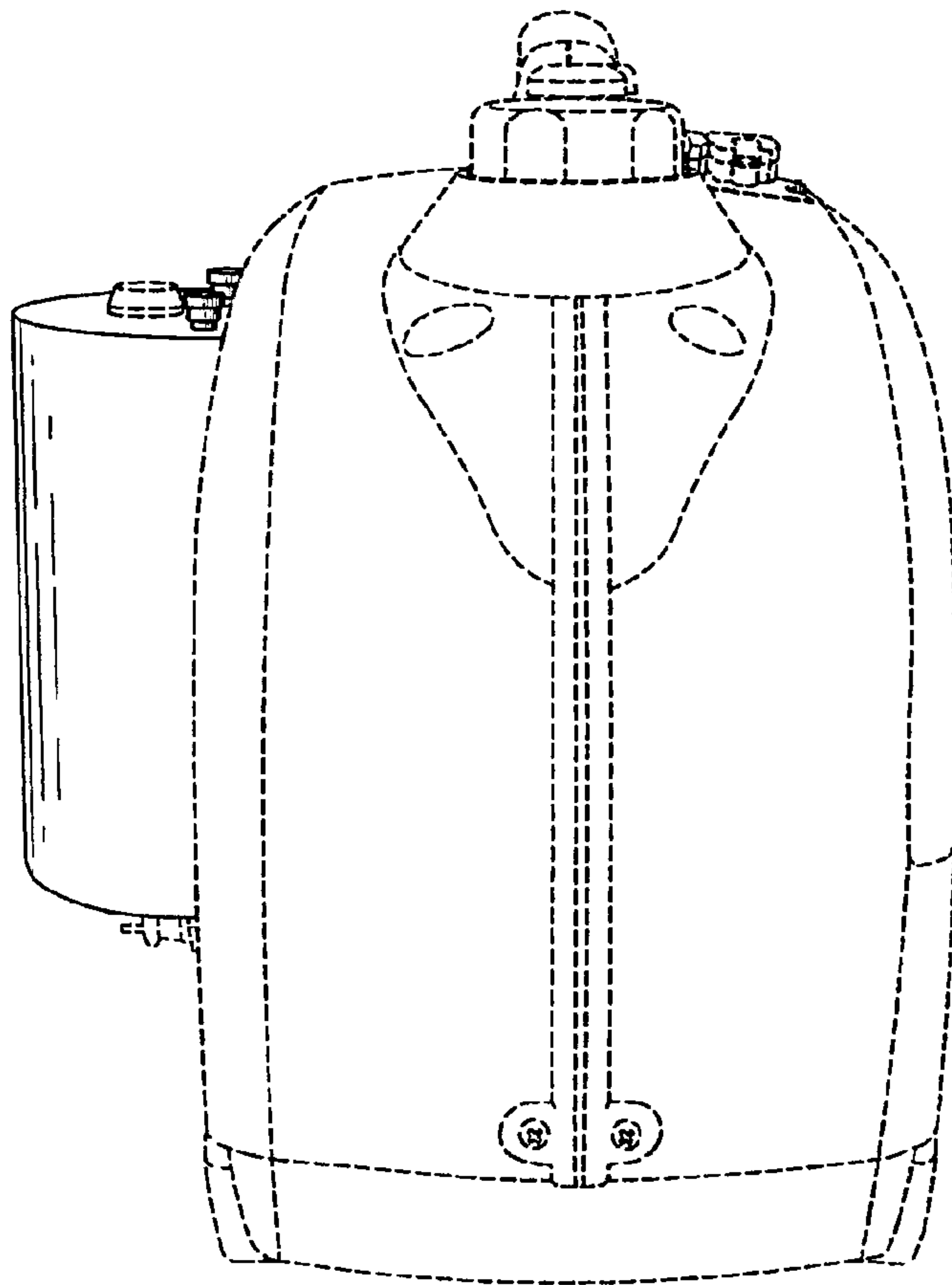


FIG. 3

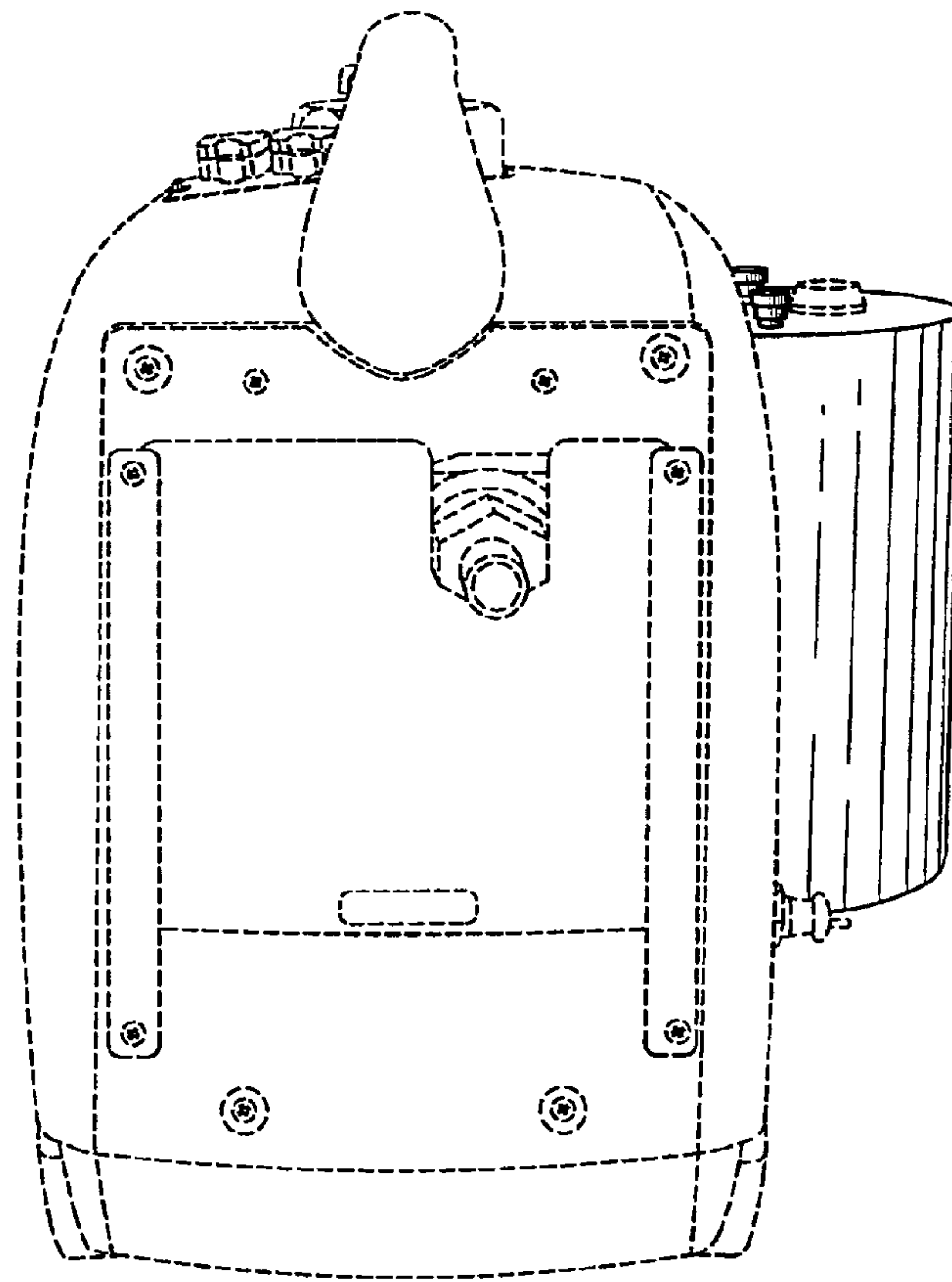


FIG. 4

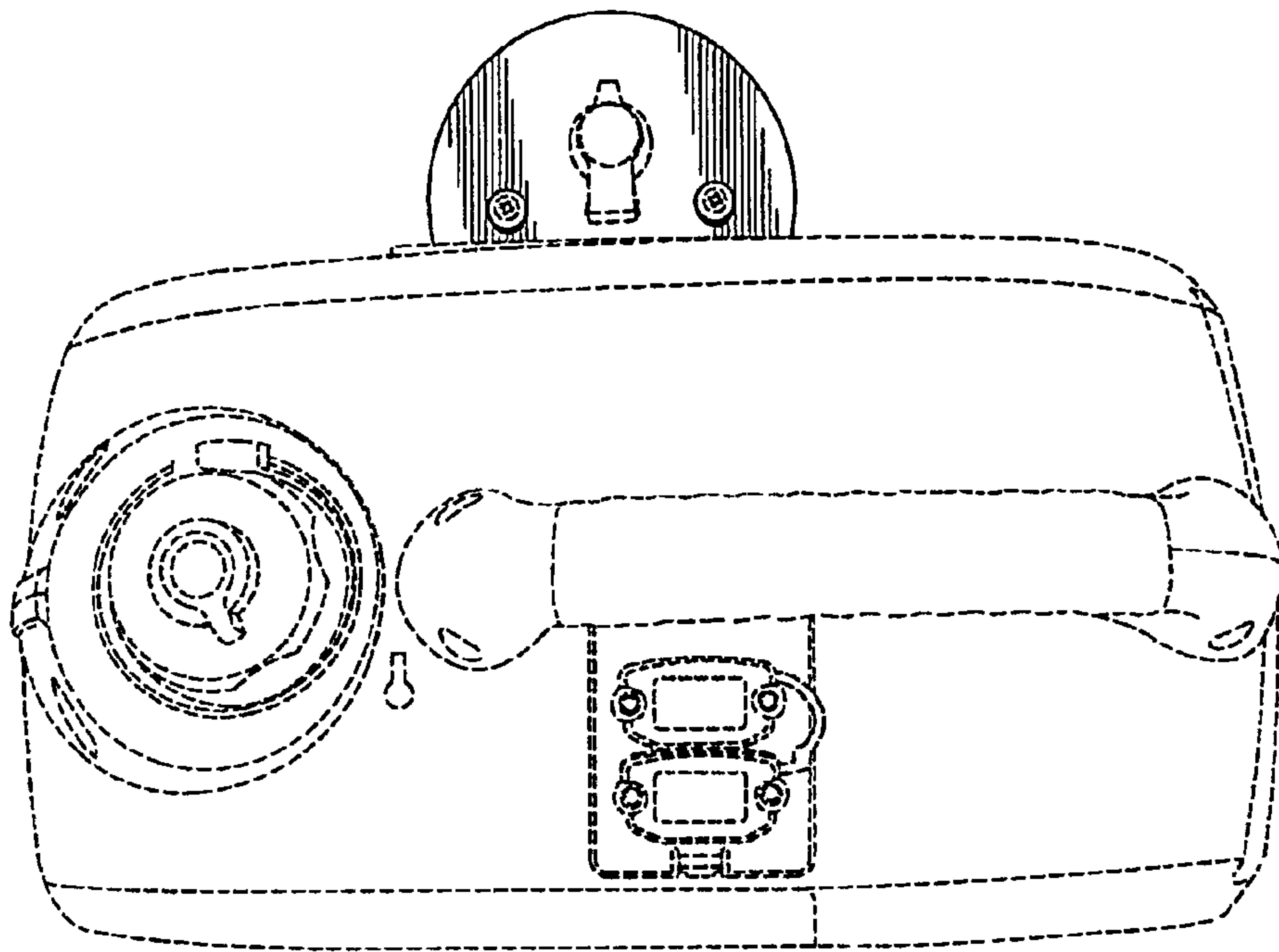


FIG.5

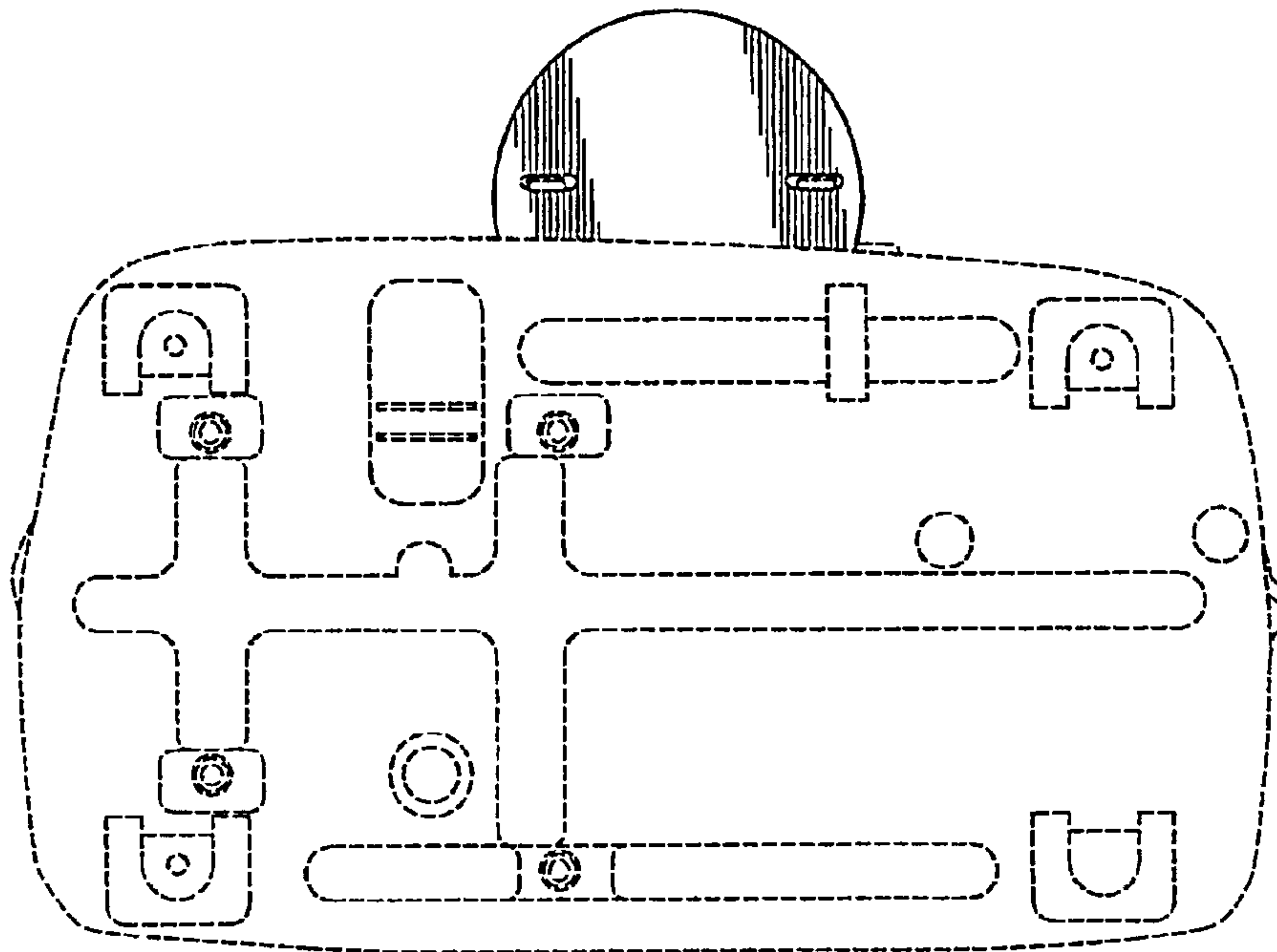


FIG. 6

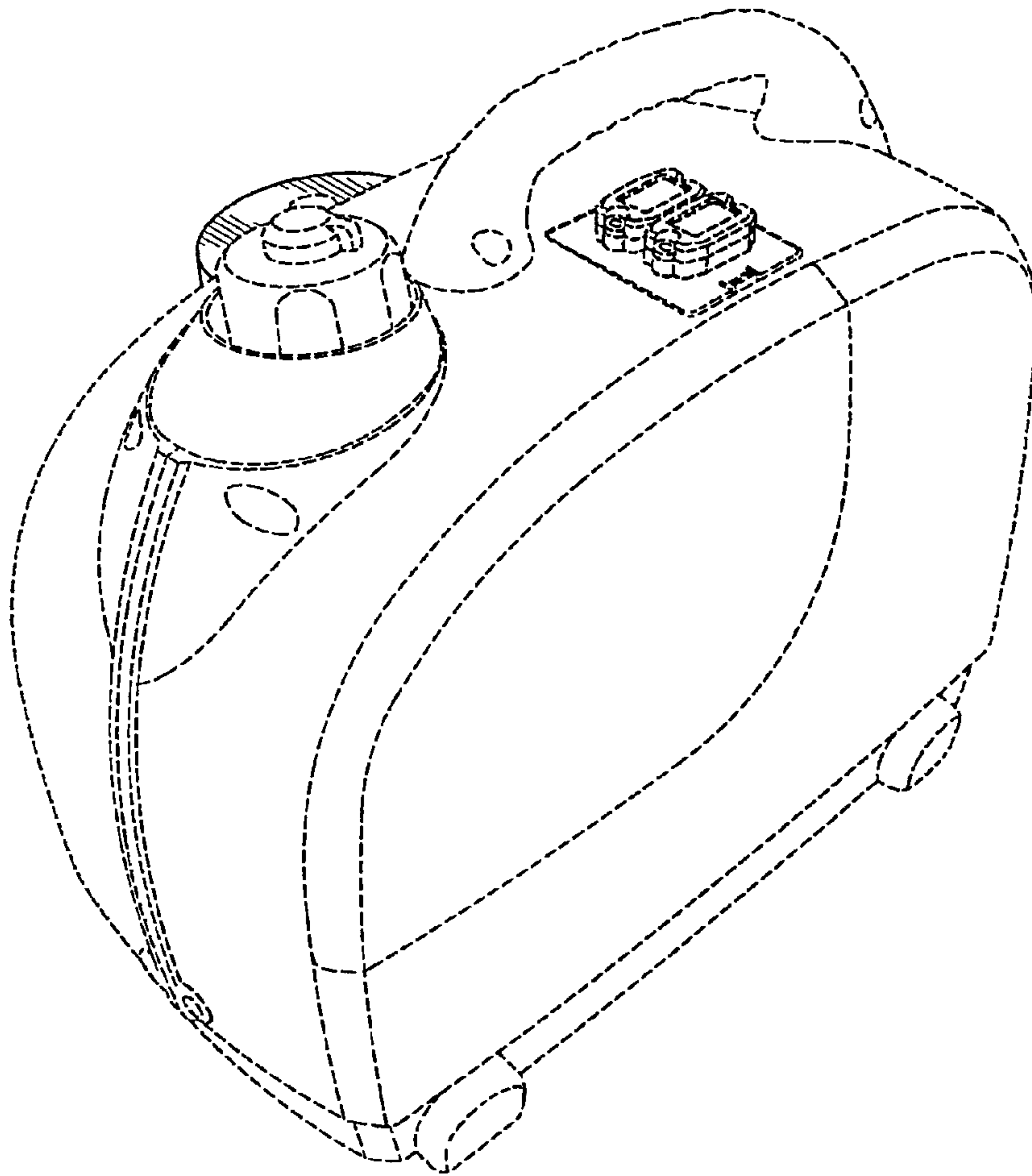


FIG. 7

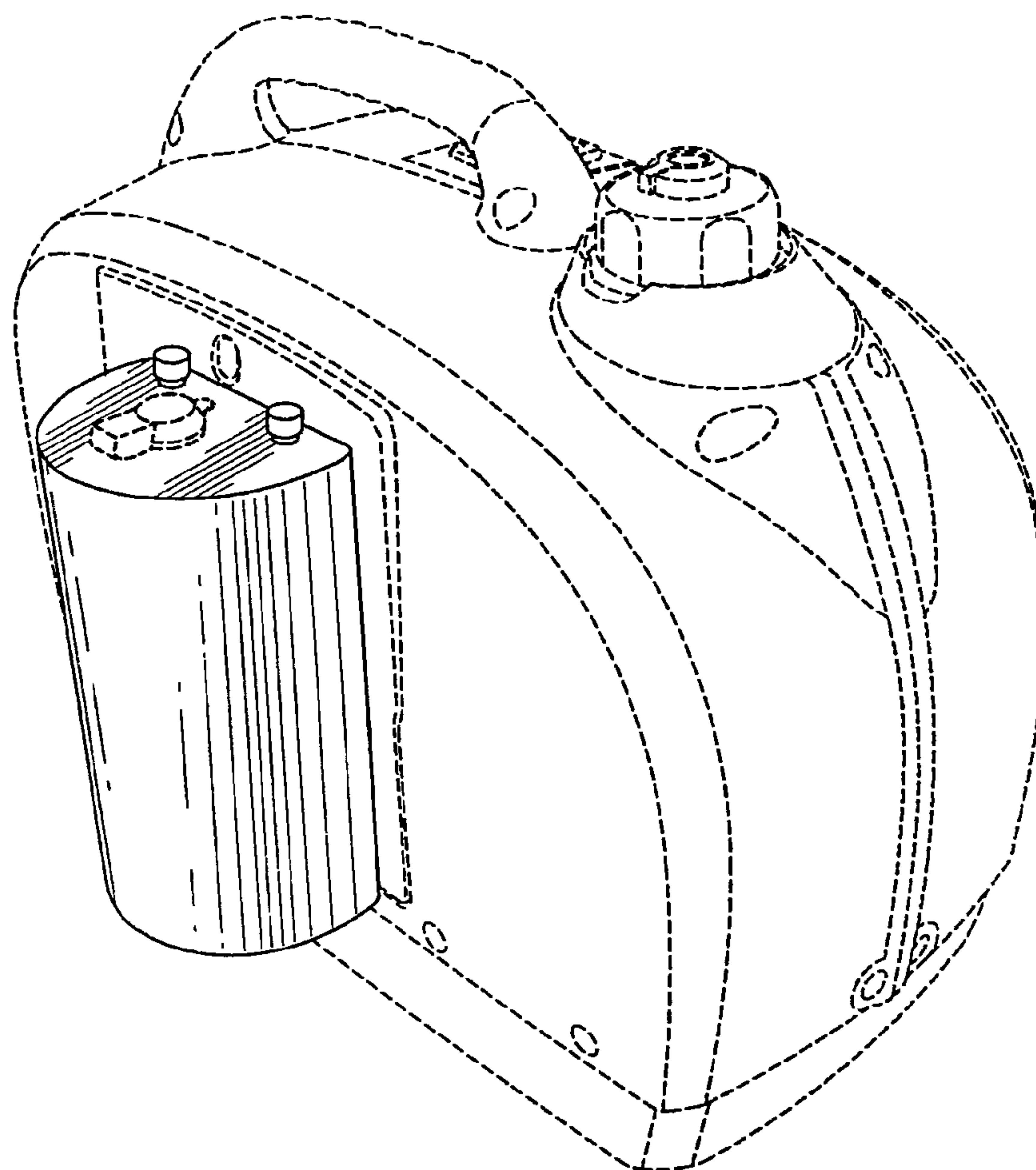


FIG. 8

UNITED STATES PATENT AND TRADEMARK OFFICE
CERTIFICATE OF CORRECTION

PATENT NO. : D733,052 S
APPLICATION NO. : 29/449784
DATED : June 30, 2015
INVENTOR(S) : Larry J. Markoski et al.

Page 1 of 1

It is certified that error appears in the above-identified patent and that said Letters Patent is hereby corrected as shown below:

Page 2 Item (56) References Cited

Column 1, Line 66, please delete "EA 1 069 295 A2 1/2001" and insert --EP 1 069 295 A2 1/2001--

Column 2, Line 31, please delete "WO 1302360.1 8/2013" and insert --GB 1302360.1 8/2013--

Signed and Sealed this
First Day of March, 2016



Michelle K. Lee
Director of the United States Patent and Trademark Office