



US00D733049S

(12) **United States Design Patent**
Sekula et al.

(10) **Patent No.:** **US D733,049 S**
(45) **Date of Patent:** **** Jun. 30, 2015**

(54) **DOCKING STATION**

(71) Applicant: **Airpressure Bodyforming GmbH**,
Berchtesgaden (DE)

(72) Inventors: **Oliver Sekula**, Berchtesgaden (DE);
Hubert Greinwalder, München (DE);
Gert Rechenmacher, Kapfenberg (AT)

(73) Assignee: **Airpressure Bodyforming GmbH**,
Berchtesgaden (DE)

(**) Term: **14 Years**

(21) Appl. No.: **29/462,230**

(22) Filed: **Jul. 31, 2013**

(30) **Foreign Application Priority Data**

Jan. 31, 2013 (EM) 002176305-0009

(51) **LOC (10) Cl.** **13-02**

(52) **U.S. Cl.**
USPC **D13/108**

(58) **Field of Classification Search**
USPC D13/107-110, 118-119, 184, 199;
D14/251, 253, 432, 434; 320/107-115
CPC Y02E 60/12; Y02T 90/14; Y02T 90/122;
Y02T 90/128; Y02T 90/163; H02J 7/025;
H02J 7/0042; H02J 7/0044; H02J 7/0045;
H02J 7/0003; H01F 38/14; H01R 13/6675;
H01M 2/1022; H01M 2/1055; H01M 10/44;
H01M 10/46; H01M 10/425; B60L 11/182
See application file for complete search history.

(56) **References Cited**

U.S. PATENT DOCUMENTS

D435,558 S * 12/2000 Tong et al. D14/434
D444,472 S * 7/2001 Russell et al. D14/434

D458,608 S * 6/2002 Tong et al. D14/434
D461,814 S * 8/2002 Felix et al. D14/434
D476,659 S * 7/2003 Ying et al. D14/434
D519,504 S * 4/2006 Tagliabue et al. D14/356
D537,789 S * 3/2007 Wan et al. D13/147
D624,919 S * 10/2010 Bull D14/434
D647,907 S * 11/2011 Perry et al. D14/434
D675,622 S * 2/2013 Petrick et al. D14/434
D722,649 S * 2/2015 Sumii D21/333
2005/0017681 A1 * 1/2005 Ogishima et al. 320/112
2012/0098493 A1 * 4/2012 Budike 320/111

* cited by examiner

Primary Examiner — Rosemary K Tarcza

(74) *Attorney, Agent, or Firm* — Thomas B. Ryan; Harter
Secrest & Emery LLP

(57) **CLAIM**

The design for a docking station, as shown and described
herein.

DESCRIPTION

FIG. 1 is a perspective view of a front, top and right side
of the docking station showing the present design having two
ports within which two portable pressure pumps are mounted
for recharging.

FIG. 2 is a front elevational view of the docking station
thereof.

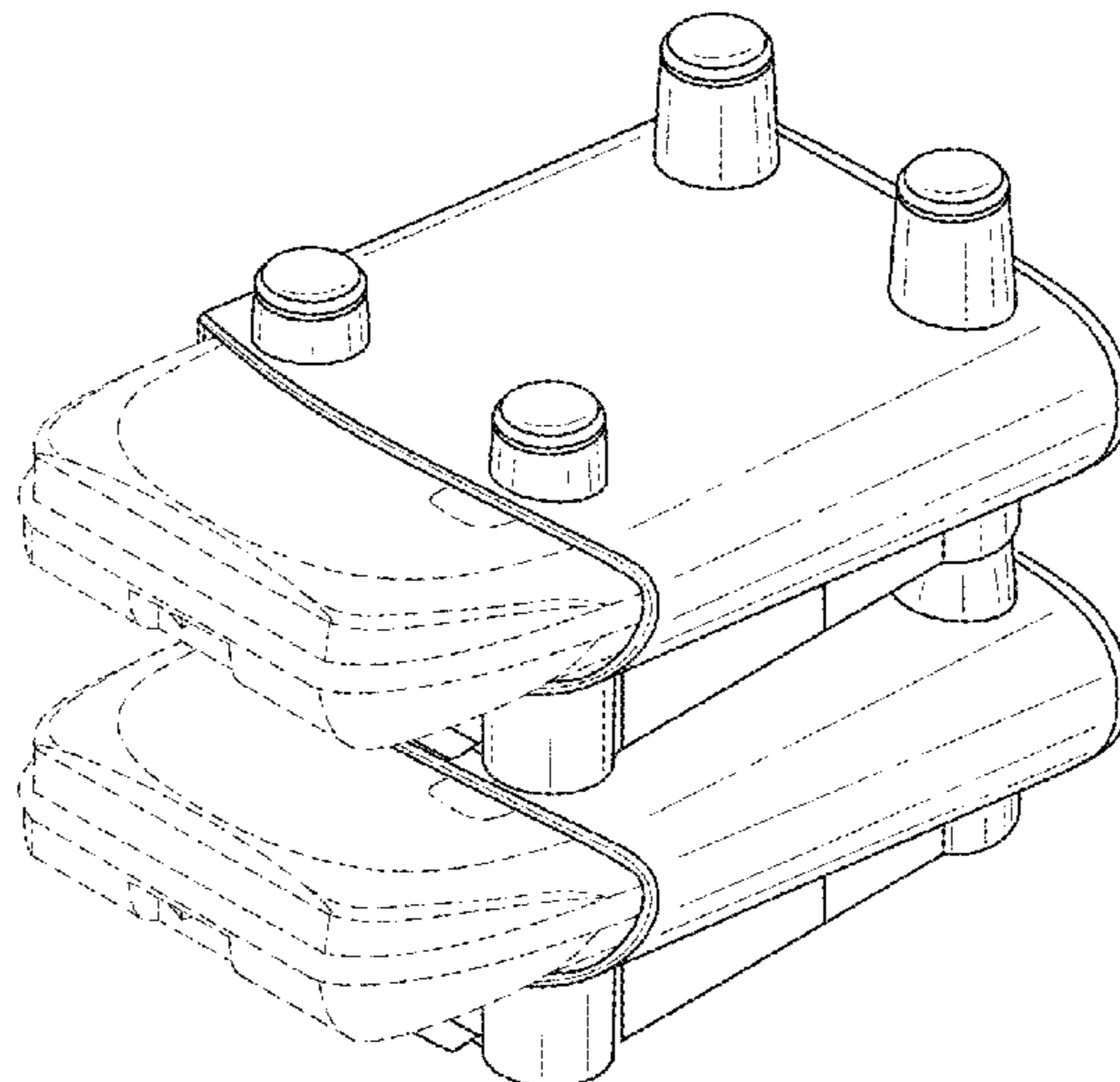
FIG. 3 is a left side elevational view of the docking station,
wherein the left and right side views of the docking station are
symmetrical.

FIG. 4 is a back elevational view of the docking station
thereof; and,

FIG. 5 is a bottom elevational view of the docking station
thereof.

The broken lines showing the two portable pressure pumps in
the drawings are included for the purpose of illustrating envi-
ronmental structure and form no part of the claimed design.

1 Claim, 3 Drawing Sheets



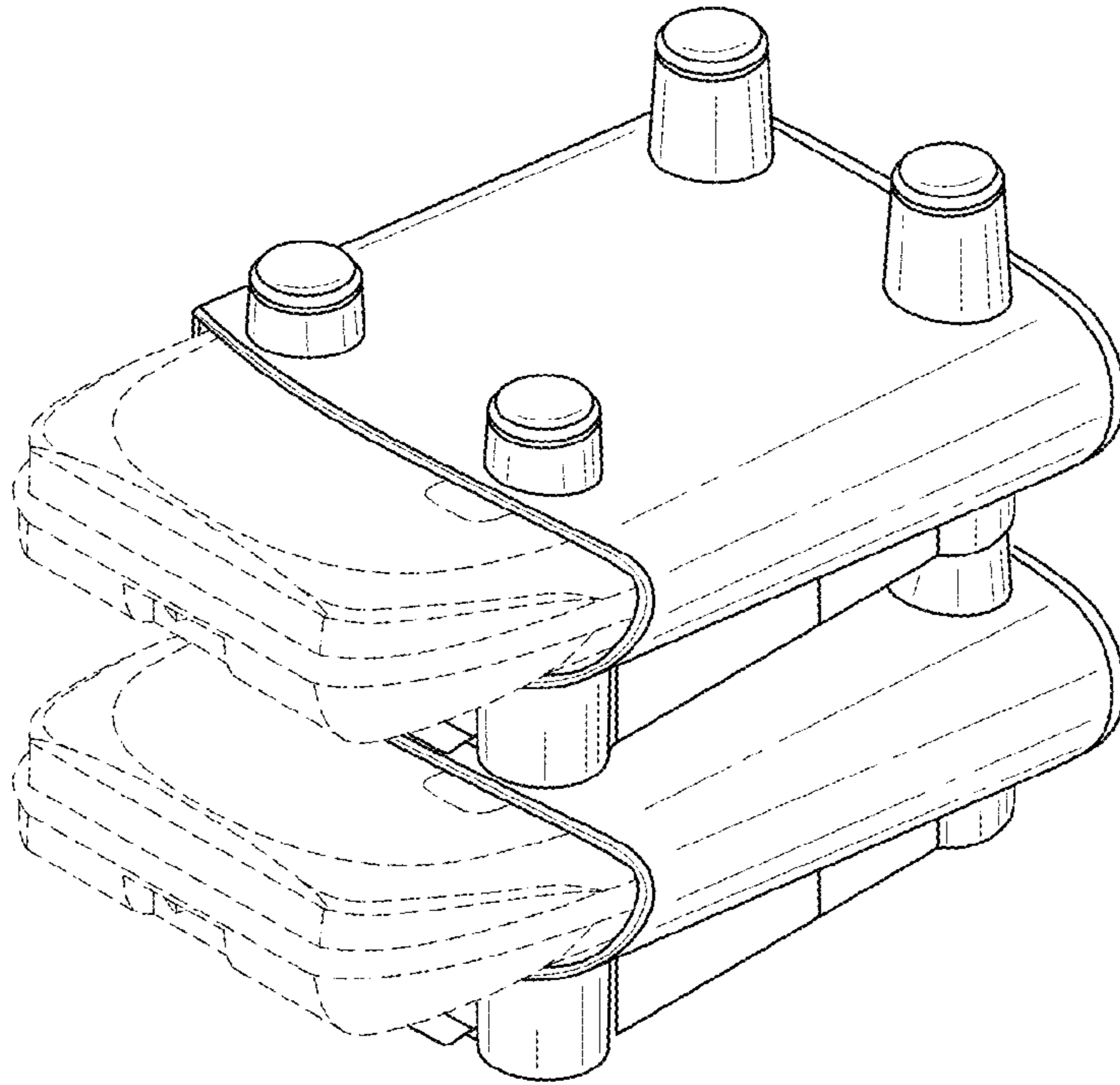


FIG. 1

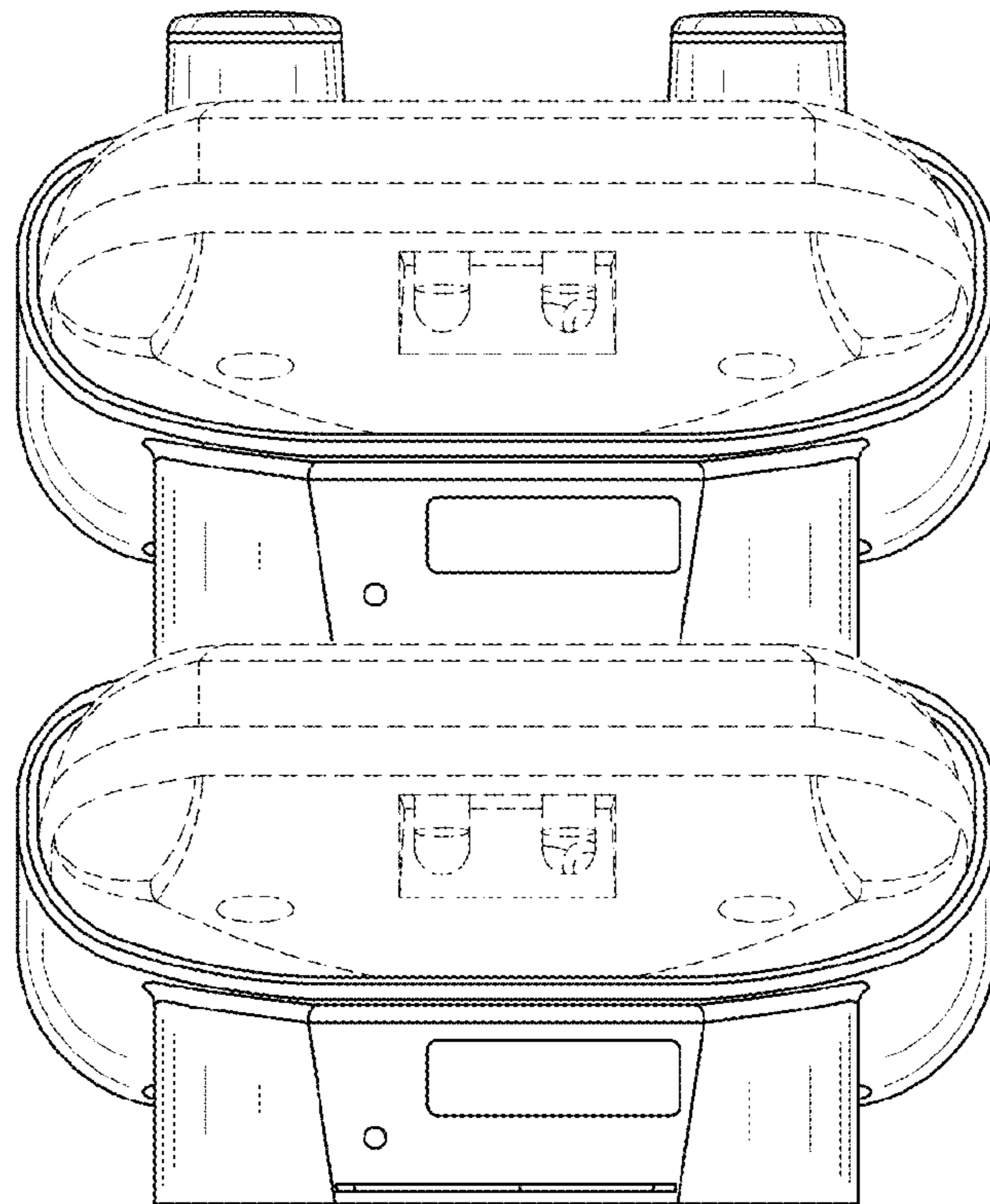


FIG. 2

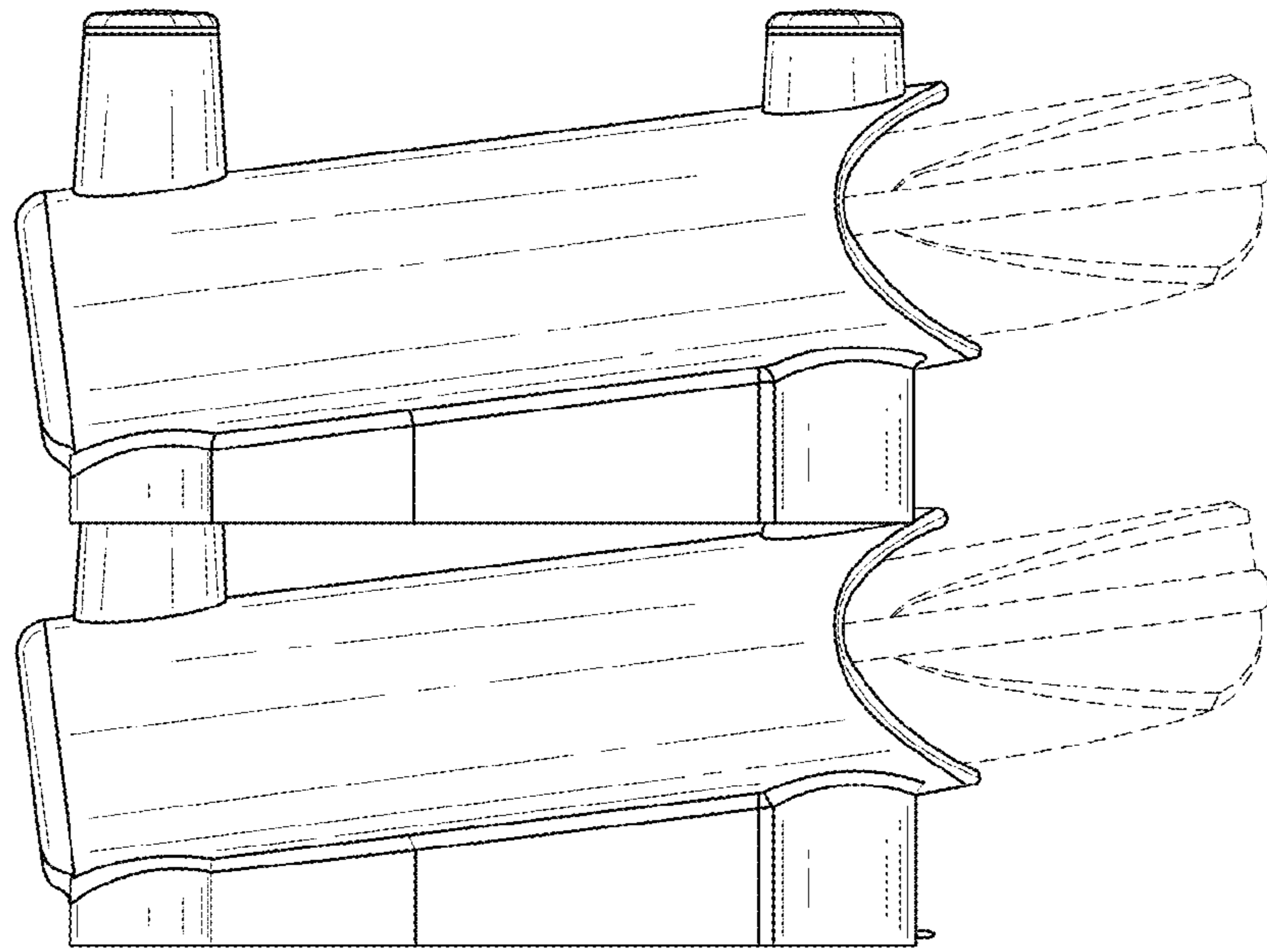


FIG. 3

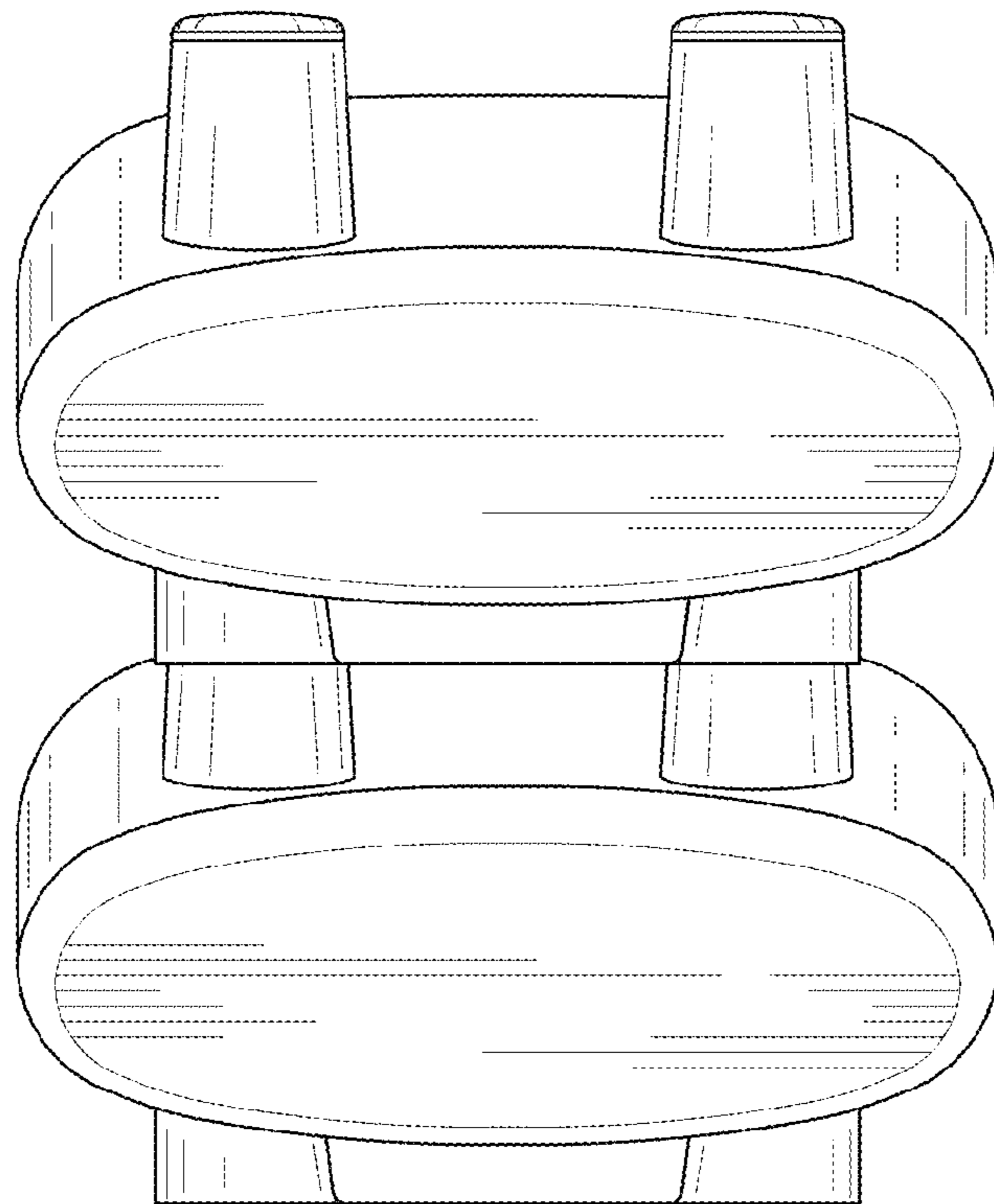


FIG. 4

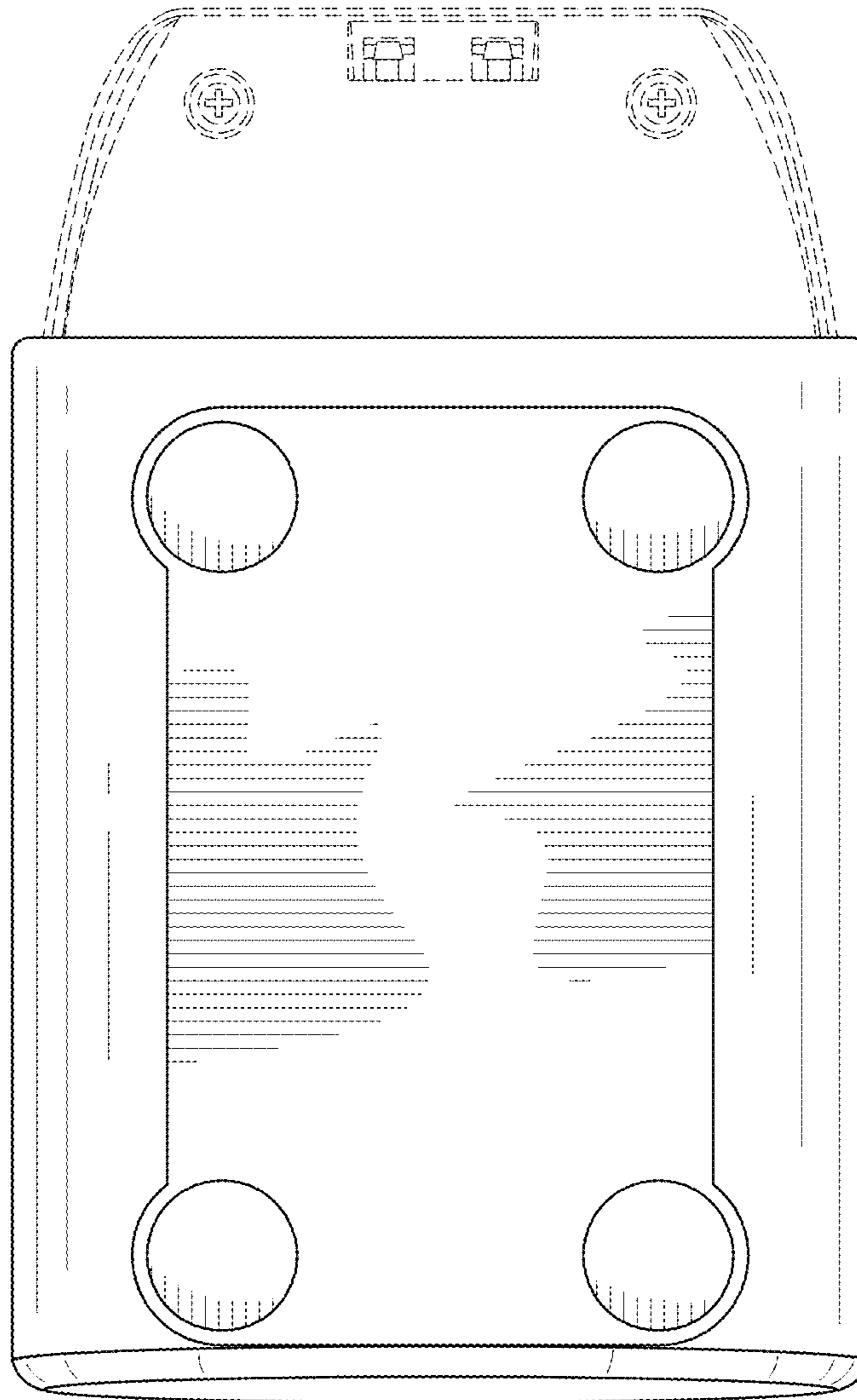


FIG. 5