



US00D733047S

(12) **United States Design Patent**
Shin

(10) **Patent No.:** **US D733,047 S**
(45) **Date of Patent:** **** Jun. 30, 2015**

(54) **HOLDER FOR ELECTRIC AUTOMOBILE CHARGERS**

(71) Applicant: **LSIS CO., LTD.**, Anyang-si
Gyeonggi-do (KR)

(72) Inventor: **Young Sung Shin**, Seoul (KR)

(73) Assignee: **LSIS CO., LTD.**, Anyang-si (KR)

(**) Term: **14 Years**

(21) Appl. No.: **29/475,453**

(22) Filed: **Dec. 3, 2013**

(30) **Foreign Application Priority Data**

Jun. 4, 2013 (KR) 30-2013-0029074

(51) **LOC (10) Cl.** **13-02**

(52) **U.S. Cl.**
USPC **D13/107**

(58) **Field of Classification Search**
USPC D13/107-110, 118-119, 184, 199;
D15/9; 320/103-115

CPC Y02E 60/12; Y02T 90/14; Y02T 90/122;
Y02T 90/128; Y02T 90/163; Y02T 10/7005;
Y02T 10/705; Y02T 10/7088; H02J 3/32;
H02J 3/008; H02J 7/025; H02J 7/0013;
H02J 7/0027; H02J 7/0034; H02J 7/0042;
H02J 7/0044; H02J 7/0045; H02J 7/0054;
H02J 7/1423; H02J 7/0003; H02J 2001/006;
H02J 2001/008; H01F 38/14; H01R 13/6675;
H01M 2/1022; H01M 2/1055; H01M 10/44;
H01M 10/46; H01M 10/425; B60L 11/182;
B60L 11/1809; B60L 11/1861; B60R 16/03

See application file for complete search history.

(56) **References Cited**

U.S. PATENT DOCUMENTS

D400,166 S * 10/1998 Concari et al. D13/108
D626,063 S * 10/2010 Cutter et al. D13/107

D632,645 S * 2/2011 Blain D13/107
D634,267 S * 3/2011 Blain D13/107
D651,561 S * 1/2012 Petrie et al. D13/107
D652,791 S * 1/2012 Petrie et al. D13/107
D652,795 S * 1/2012 Attanasio D13/118
D655,242 S * 3/2012 Holthusen D13/107
D664,085 S * 7/2012 Callender D13/107
D664,088 S * 7/2012 Chin-Ho Kim et al. D13/107
D671,888 S * 12/2012 Dyson et al. D13/108
D680,951 S * 4/2013 Lecoanet et al. D13/108
D692,374 S * 10/2013 Choi D13/107
D694,179 S * 11/2013 Zeppetzaer D13/107
D704,628 S * 5/2014 Tajik et al. D13/108
D706,213 S * 6/2014 Titus D13/107
2011/0169447 A1 * 7/2011 Brown et al. 320/109
2012/0212180 A1 * 8/2012 Iida et al. 320/109
2013/0020991 A1 * 1/2013 DeBoer et al. 320/109
2013/0175989 A1 * 7/2013 Bonwit et al. 320/109
2013/0181670 A1 * 7/2013 Bonwit et al. 320/109
2015/0042276 A1 * 2/2015 Biedrzycki 320/109

* cited by examiner

Primary Examiner — Rosemary K Tarcza

(74) *Attorney, Agent, or Firm* — Birch, Stewart, Kolasch & Birch, LLP

(57) **CLAIM**

I claim the ornamental design for a holder for electric automobile chargers, as shown and described.

DESCRIPTION

FIG. 1 is a perspective view of a holder for electric automobile chargers showing my new design;

FIG. 2 is a front elevation view thereof;

FIG. 3 is a rear elevation view thereof;

FIG. 4 is a left-side elevation view thereof;

FIG. 5 is a right-side elevation view thereof;

FIG. 6 is a top plan view thereof;

FIG. 7 is a bottom plan view thereof; and,

FIG. 8 is a perspective view in a state of use thereof.

The broken line showing of the multimedia terminal is included for the purpose of illustrating environment and forms no part of the claimed design.

1 Claim, 5 Drawing Sheets

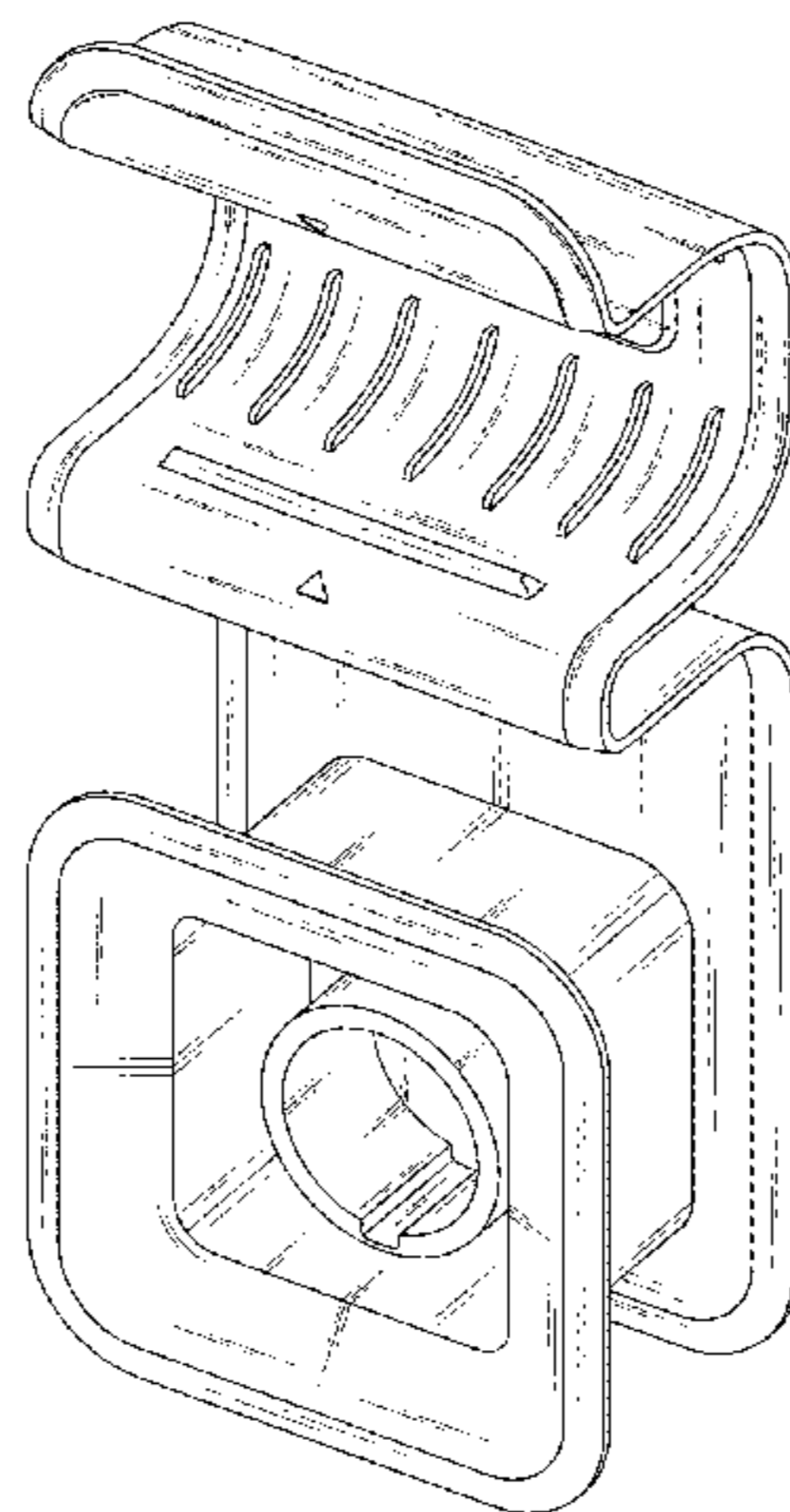


FIG. 1

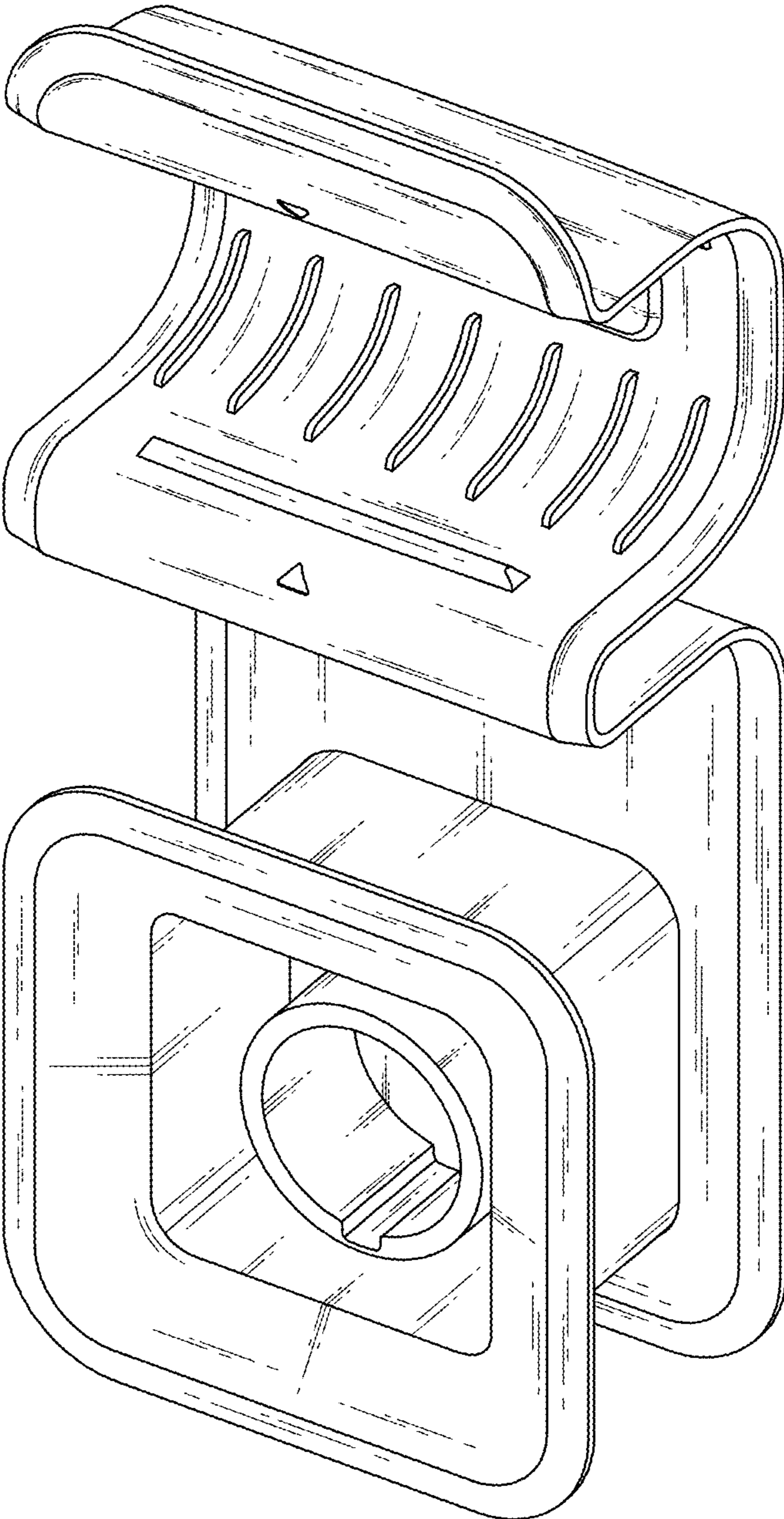


FIG. 2

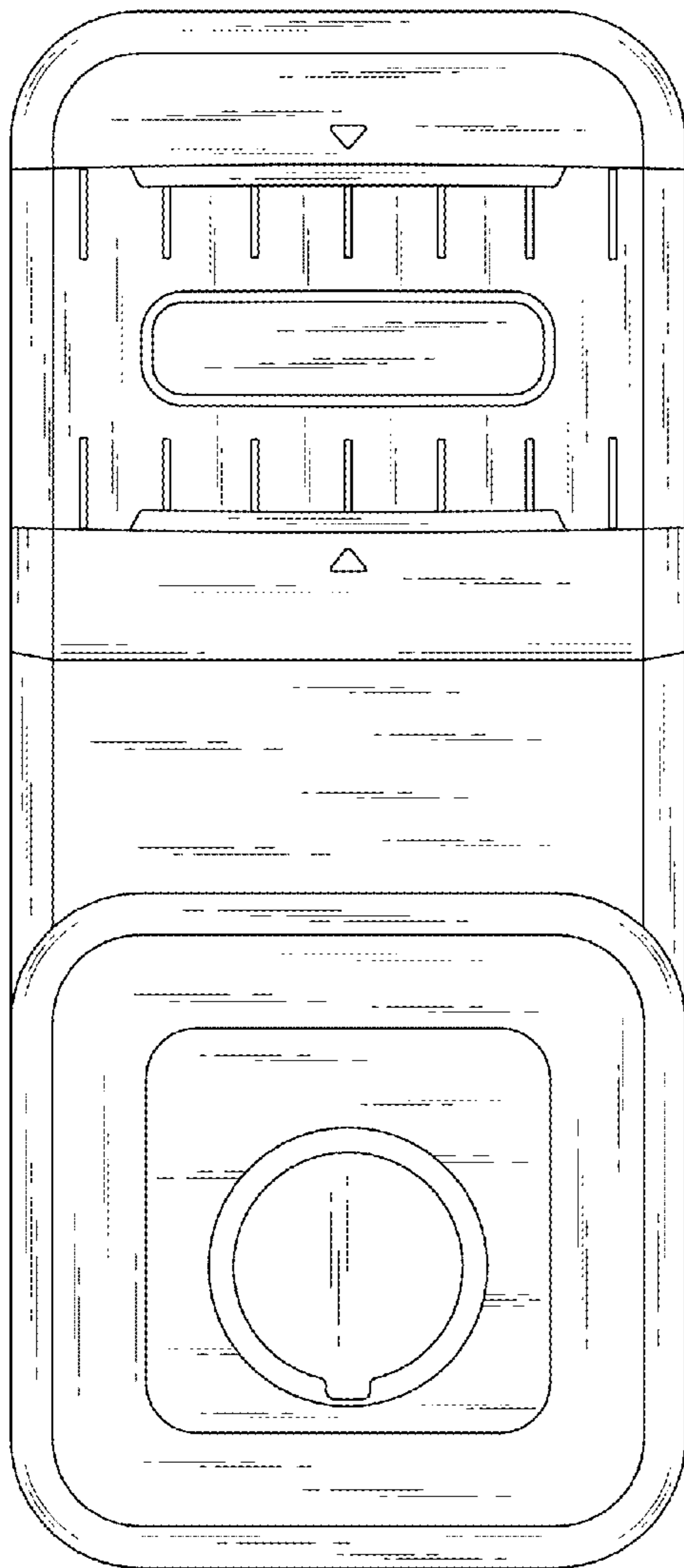


FIG. 3

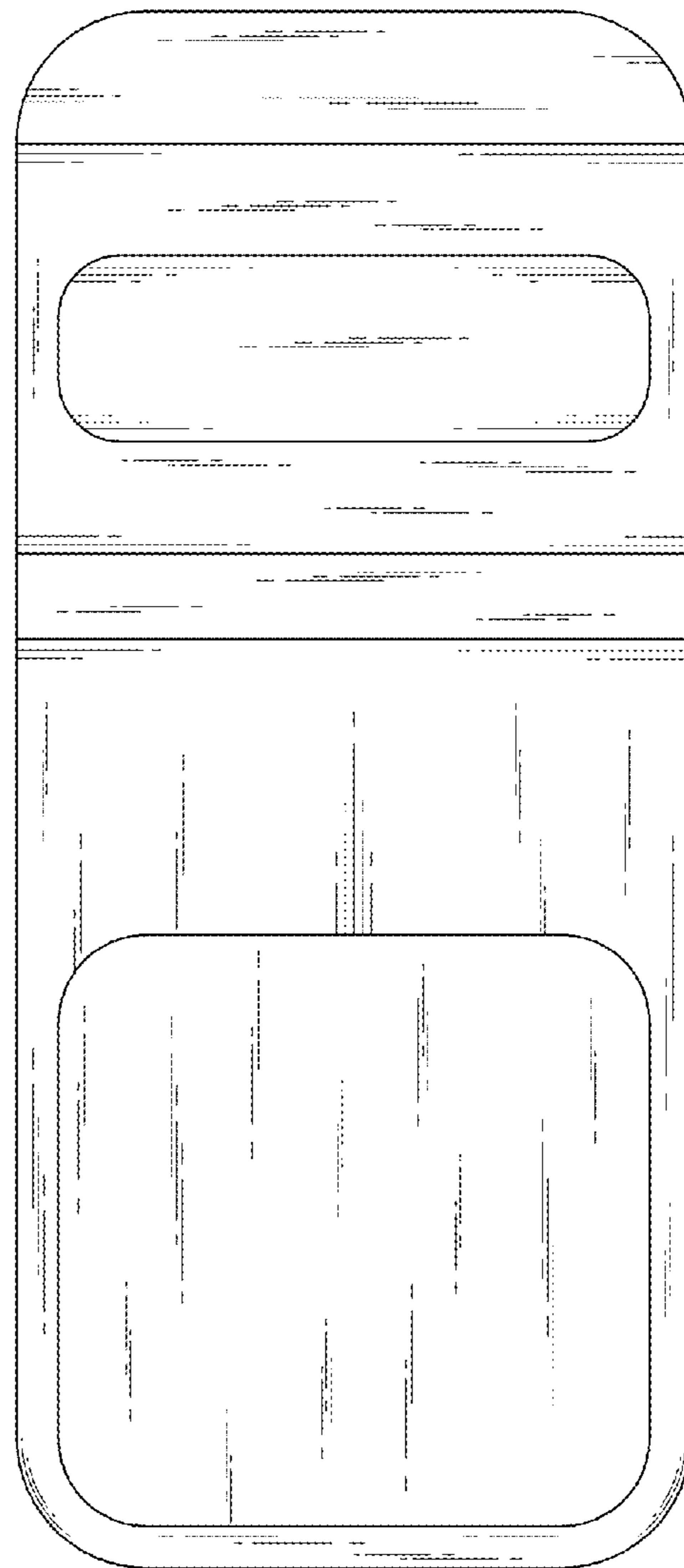


FIG. 4

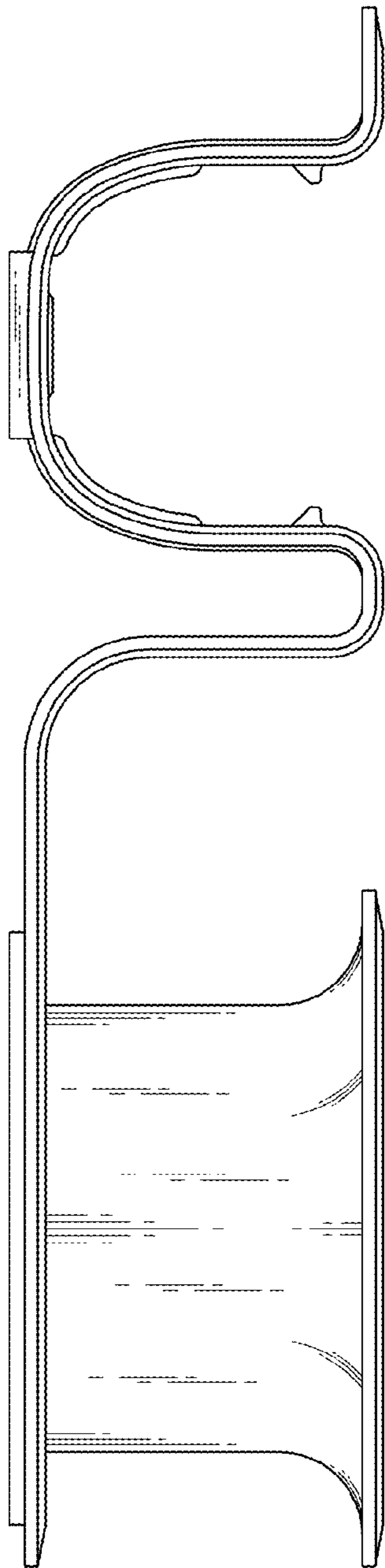


FIG. 5

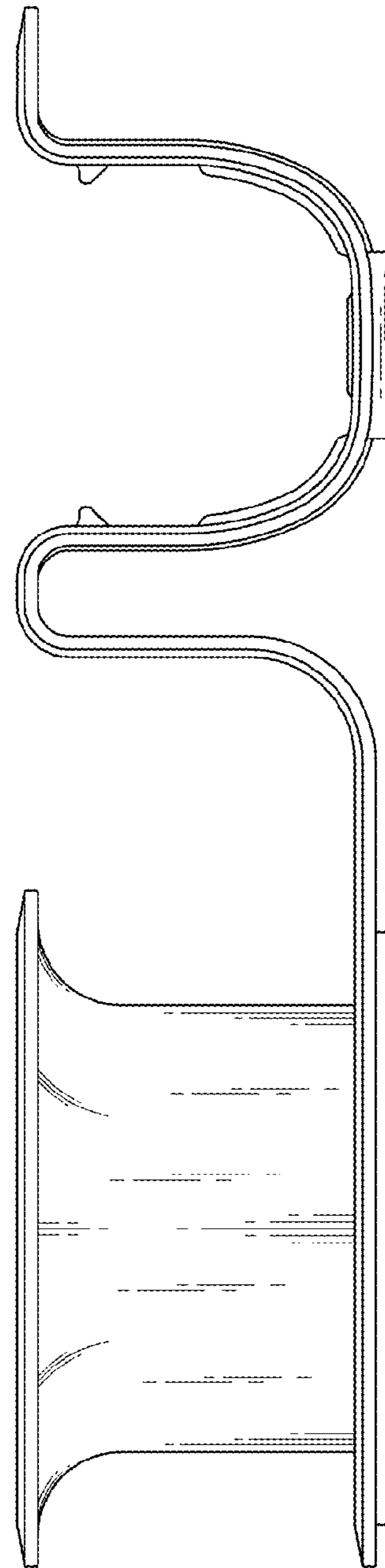


FIG. 6

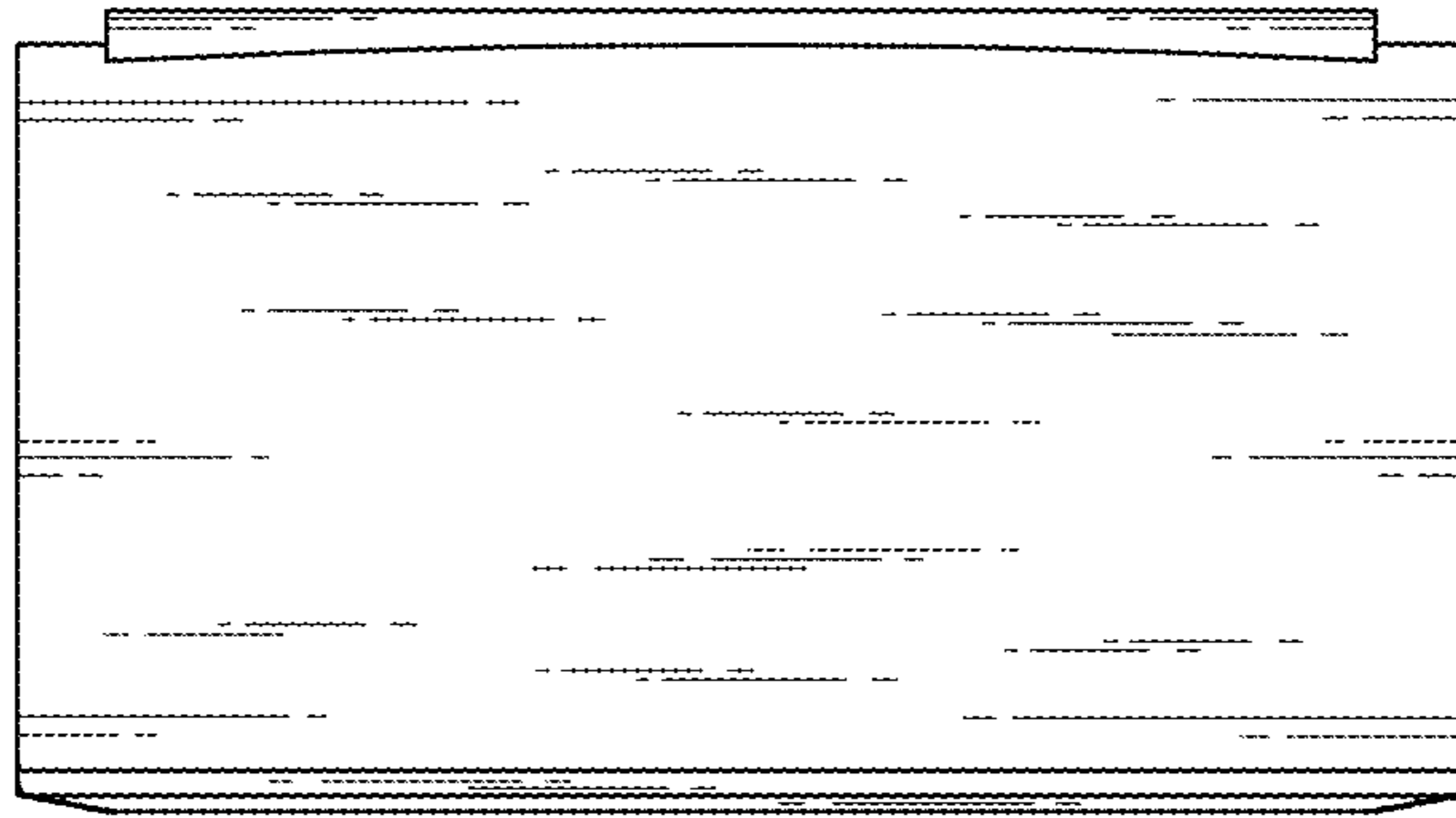


FIG. 7

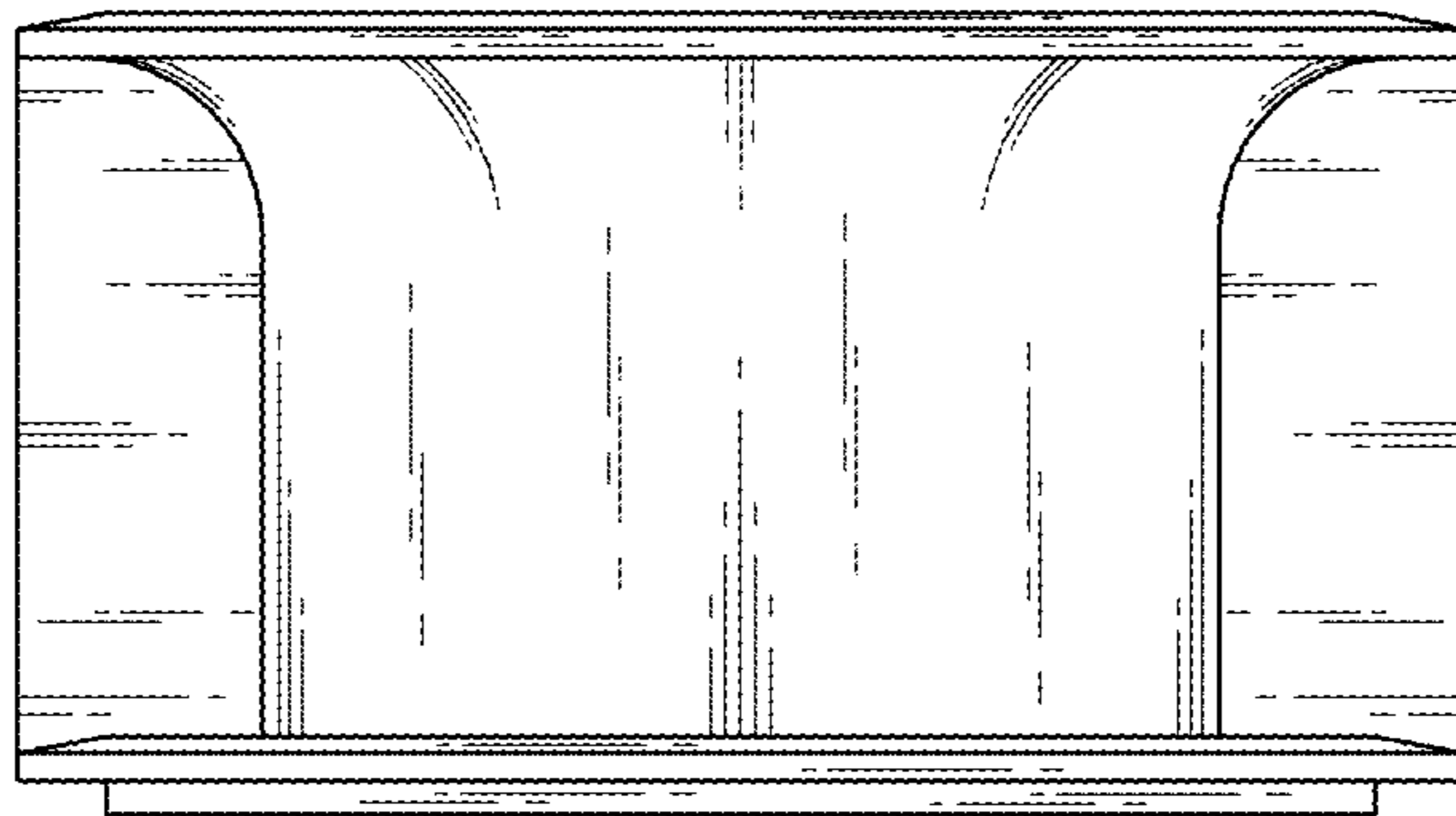


FIG. 8

