



US00D733046S

(12) **United States Design Patent**
Shin

(10) **Patent No.:** **US D733,046 S**
(45) **Date of Patent:** **** Jun. 30, 2015**

(54) **BODY OF ELECTRIC AUTOMOBILE
CHARGER**

- (71) Applicant: **LSIS CO., LTD.**, Anyang-si,
Gyeonggi-do (KR)
- (72) Inventor: **Young Sung Shin**, Seoul (KR)
- (73) Assignee: **LSIS CO., LTD.**, Anyang-Si (KR)
- (**) Term: **14 Years**
- (21) Appl. No.: **29/475,452**
- (22) Filed: **Dec. 3, 2013**
- (30) **Foreign Application Priority Data**

Jun. 4, 2013 (KR) 30-2013-0029075

(51) **LOC (10) Cl.** **13-02**

(52) **U.S. Cl.**
USPC **D13/107**

(58) **Field of Classification Search**
USPC D13/107-110, 118-119, 184, 199;
D15/9; 320/103-115
CPC Y02E 60/12; Y02T 90/14; Y02T 90/122;
Y02T 90/128; Y02T 90/163; Y02T 10/7005;
Y02T 10/705; Y02T 10/7088; H02J 3/32;
H02J 3/008; H02J 7/025; H02J 7/0013;
H02J 7/0027; H02J 7/0034; H02J 7/0042;
H02J 7/0044; H02J 7/0045; H02J 7/0054;
H02J 7/1423; H02J 7/0003; H02J 2001/006;
H02J 2001/008; H01F 34/14; H01R 13/6675;
H01M 2/1022; H01M 2/1055; H01M 10/44;
H01M 10/46; H01M 10/425; B60L 11/182;
B60L 11/1809; B60L 11/1861; B60R 16/03

See application file for complete search history.

(56) **References Cited**

U.S. PATENT DOCUMENTS

D433,993	S	*	11/2000	Tang	D13/110
D526,274	S	*	8/2006	Kobayashi et al.	D13/110
D526,960	S	*	8/2006	Kobayashi et al.	D13/110
D528,980	S	*	9/2006	Kobayashi et al.	D13/110
D537,410	S	*	2/2007	Yuen	D13/110
D575,225	S	*	8/2008	Ahlgren	D13/107
D575,228	S	*	8/2008	So	D13/110
D581,356	S	*	11/2008	Ahlgren	D13/107
D617,267	S	*	6/2010	Li	D13/107
D637,953	S	*	5/2011	Huang et al.	D13/108
D662,879	S	*	7/2012	Steinbuechel et al.	D13/107
D676,380	S	*	2/2013	Sun	D13/108
D680,065	S	*	4/2013	Shibamura et al.	D13/107
2013/0335022	A1	*	12/2013	Choi	320/109
2014/0203777	A1	*	7/2014	Flack	320/109
2014/0292272	A1	*	10/2014	Inagaki et al.	320/109
2015/0015200	A1	*	1/2015	Kim et al.	320/109
2015/0015202	A1	*	1/2015	Im et al.	320/109

* cited by examiner

Primary Examiner — Rosemary K Tarcza

(74) *Attorney, Agent, or Firm* — Birch, Stewart, Kolasch & Birch, LLP

(57) **CLAIM**

I claim the ornamental design for a body of electric automobile charger, as shown and described.

DESCRIPTION

FIG. 1 is a perspective view of a body of electric automobile charger showing my new design;
 FIG. 2 is a front elevation view thereof;
 FIG. 3 is a rear elevation view thereof;
 FIG. 4 is a left-side elevation view thereof;
 FIG. 5 is a right-side elevation view thereof;
 FIG. 6 is a top plan view thereof;
 FIG. 7 is a bottom plan view thereof; and,
 FIG. 8 is a perspective view in a state of use thereof.
 The broken line showing of the multimedia terminal is included for the purpose of illustrating environment and forms no part of the claimed design.

1 Claim, 5 Drawing Sheets

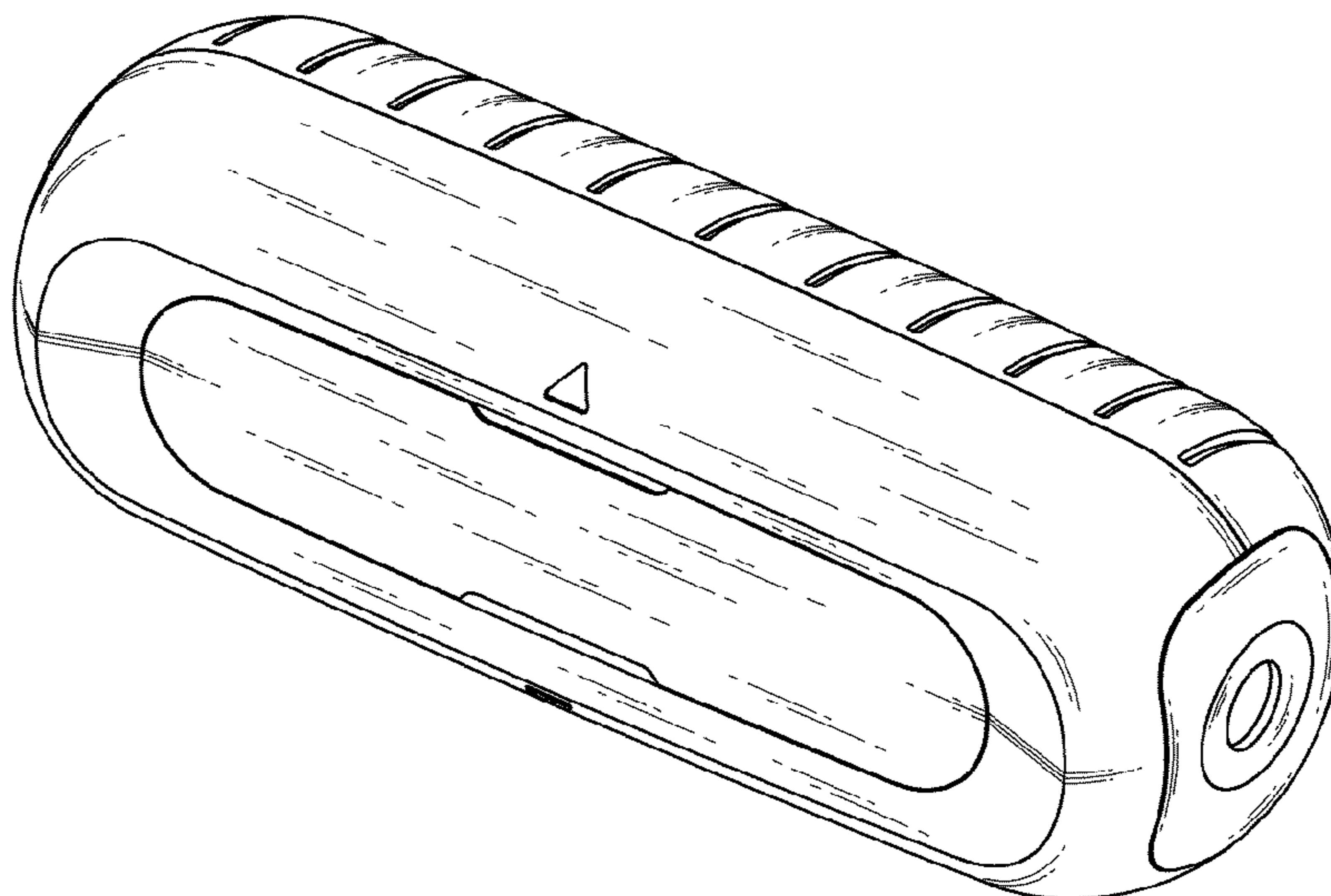


FIG. 1

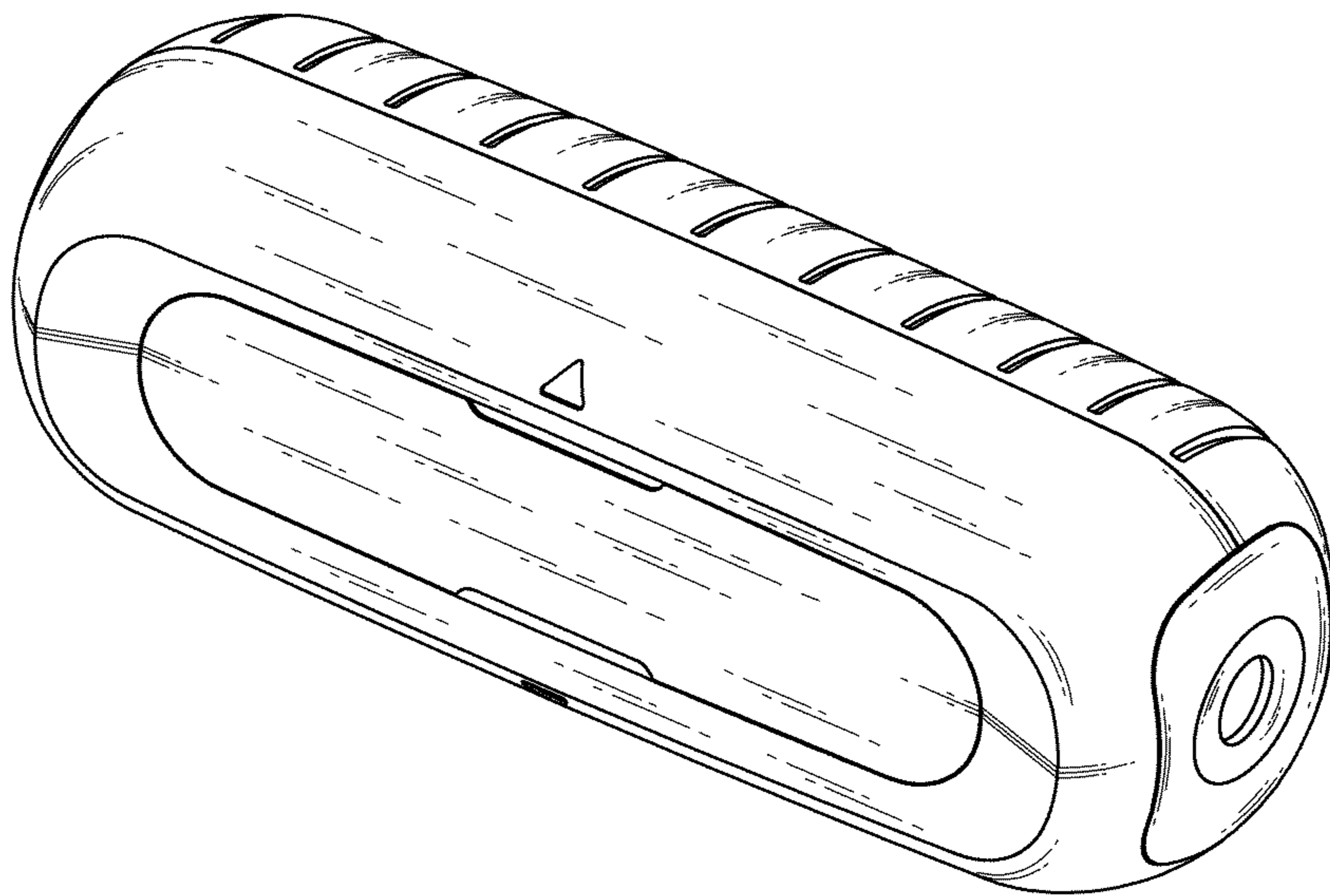


FIG. 2

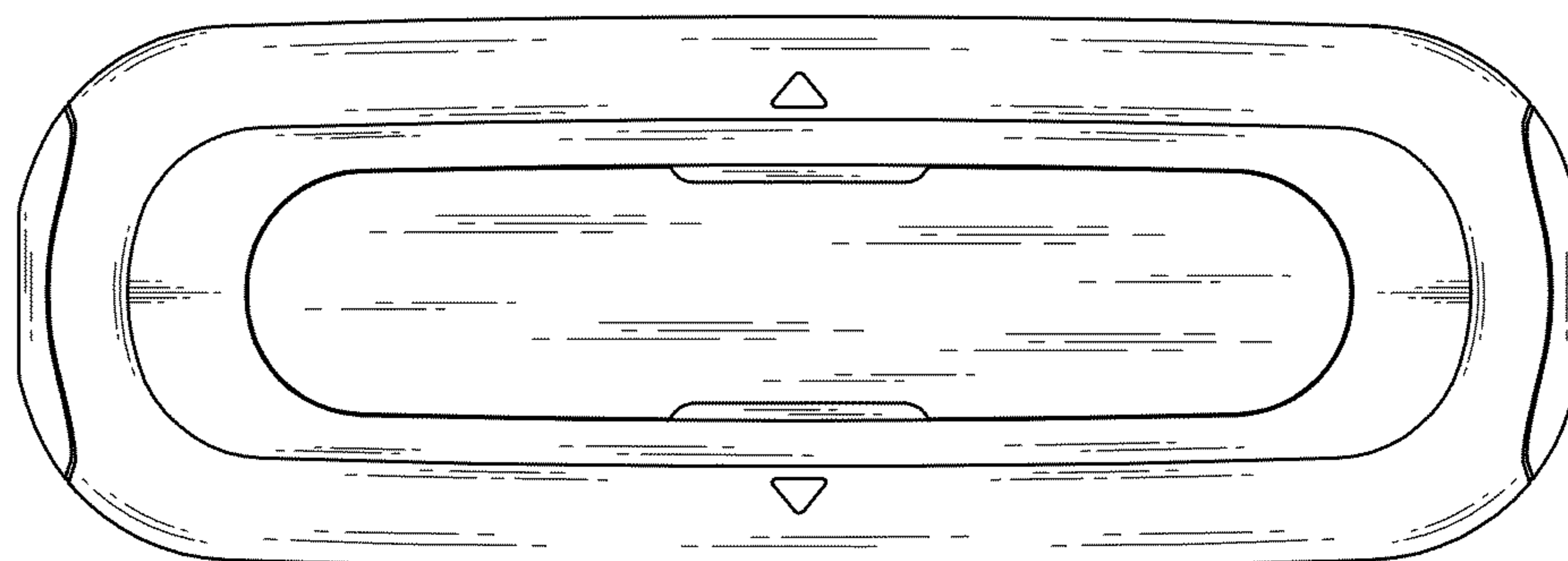


FIG. 3

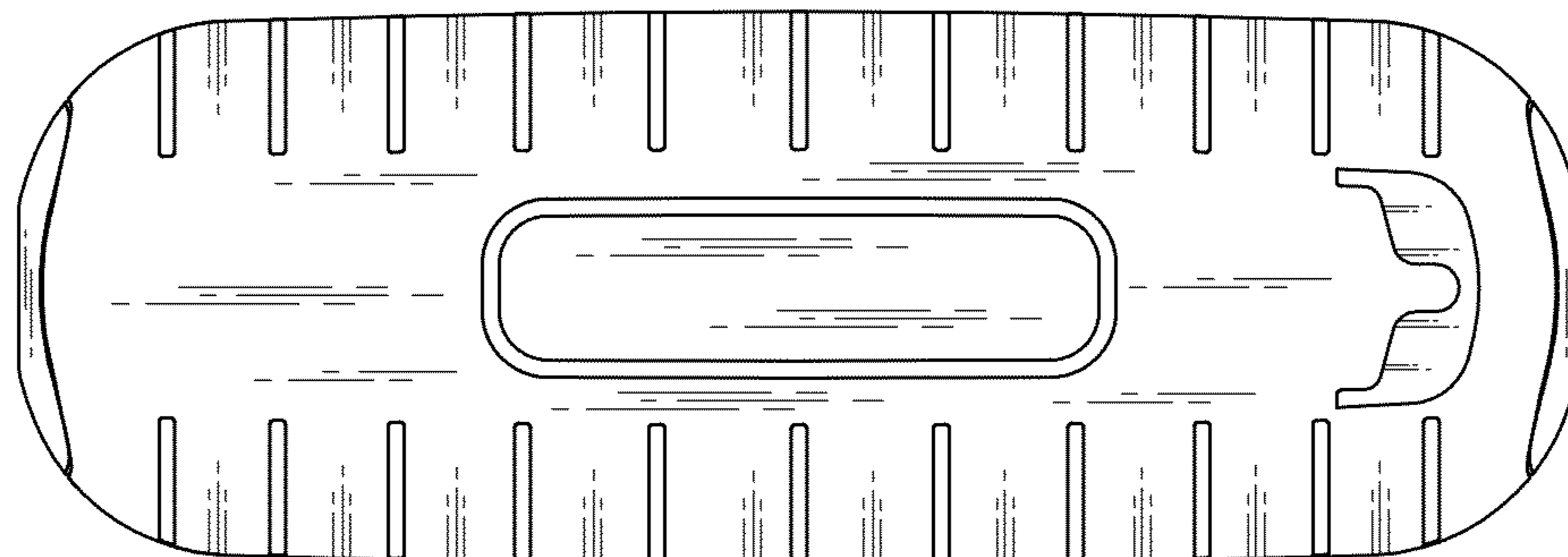


FIG. 4

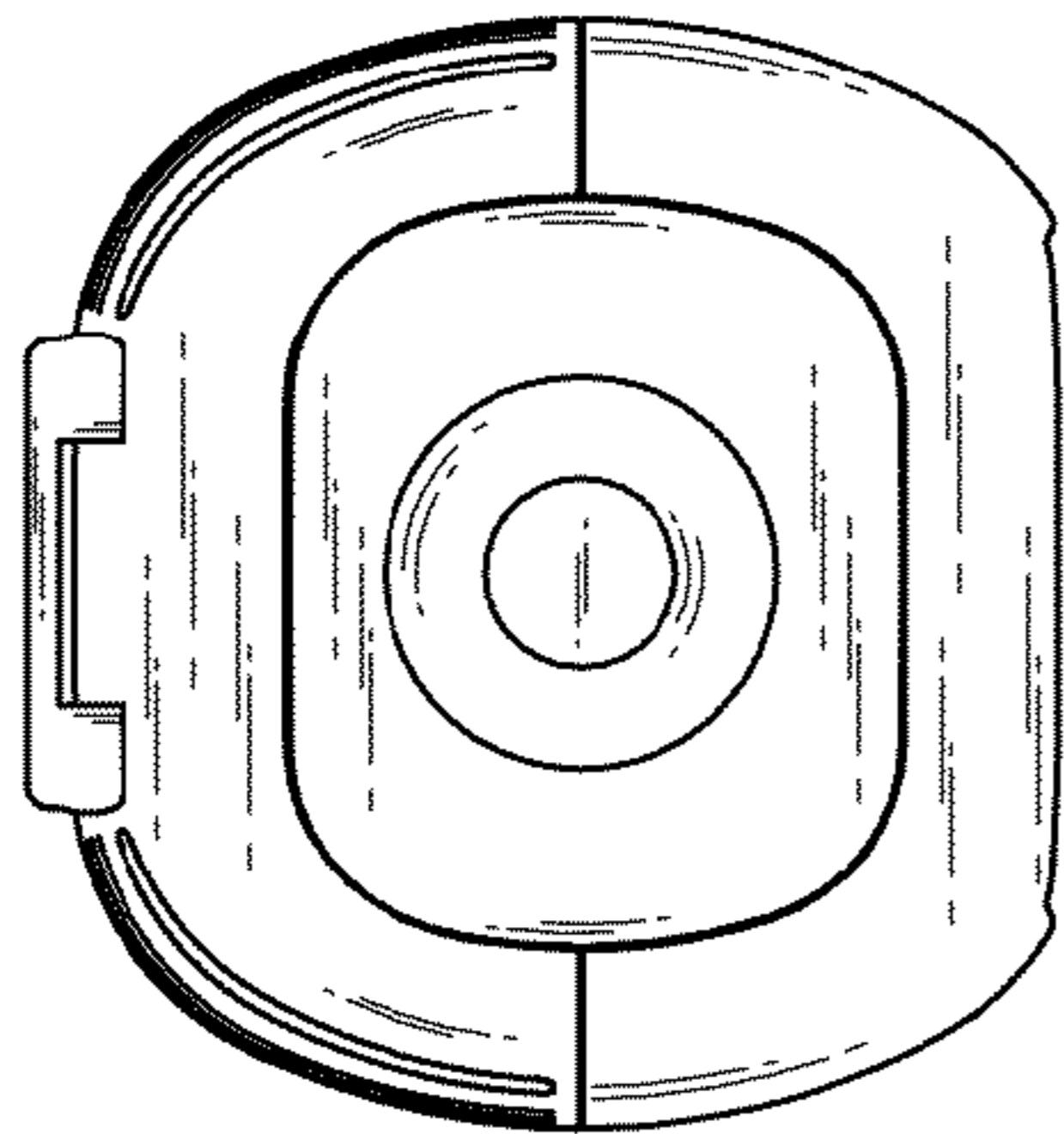


FIG. 5

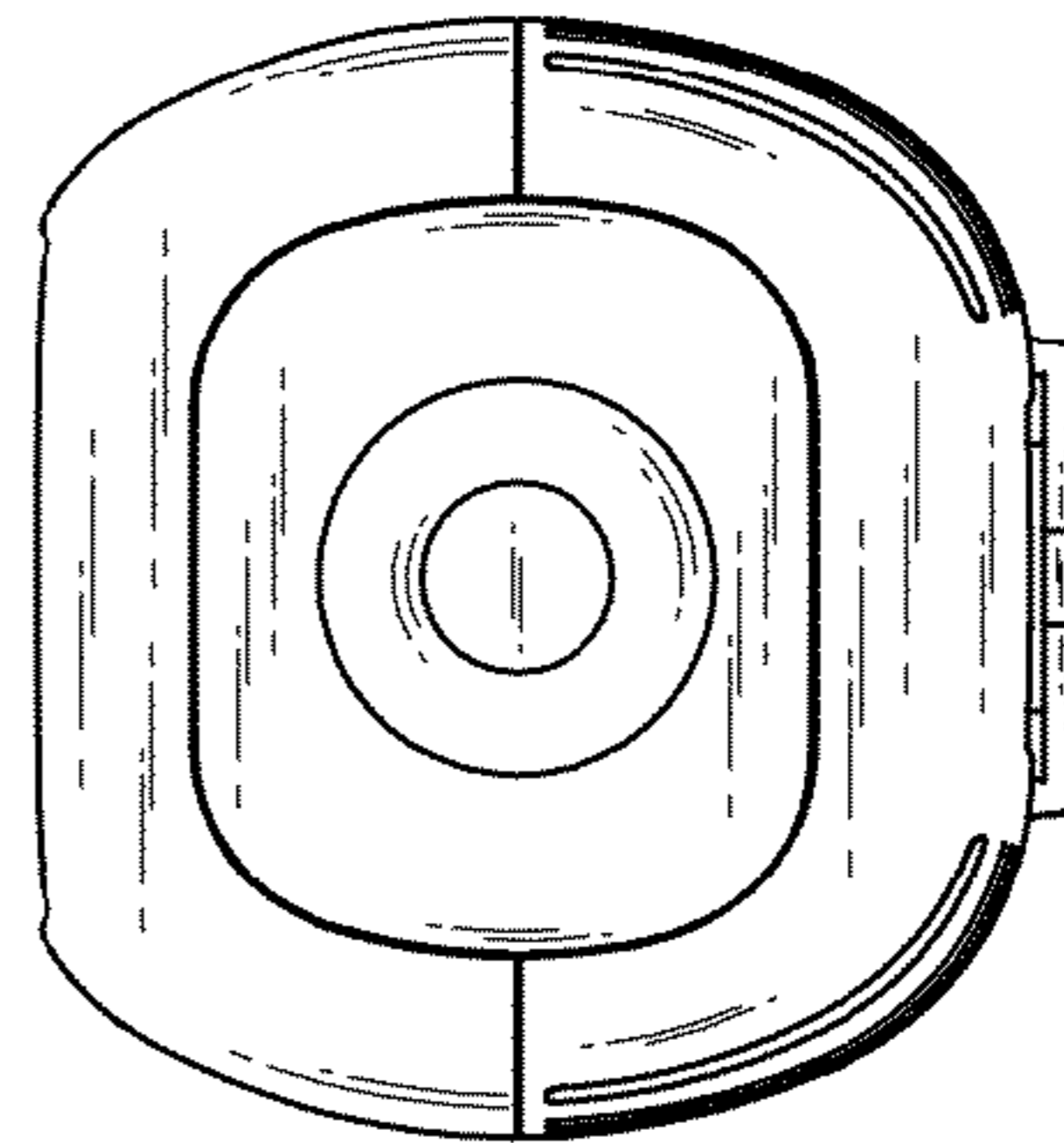


FIG. 6

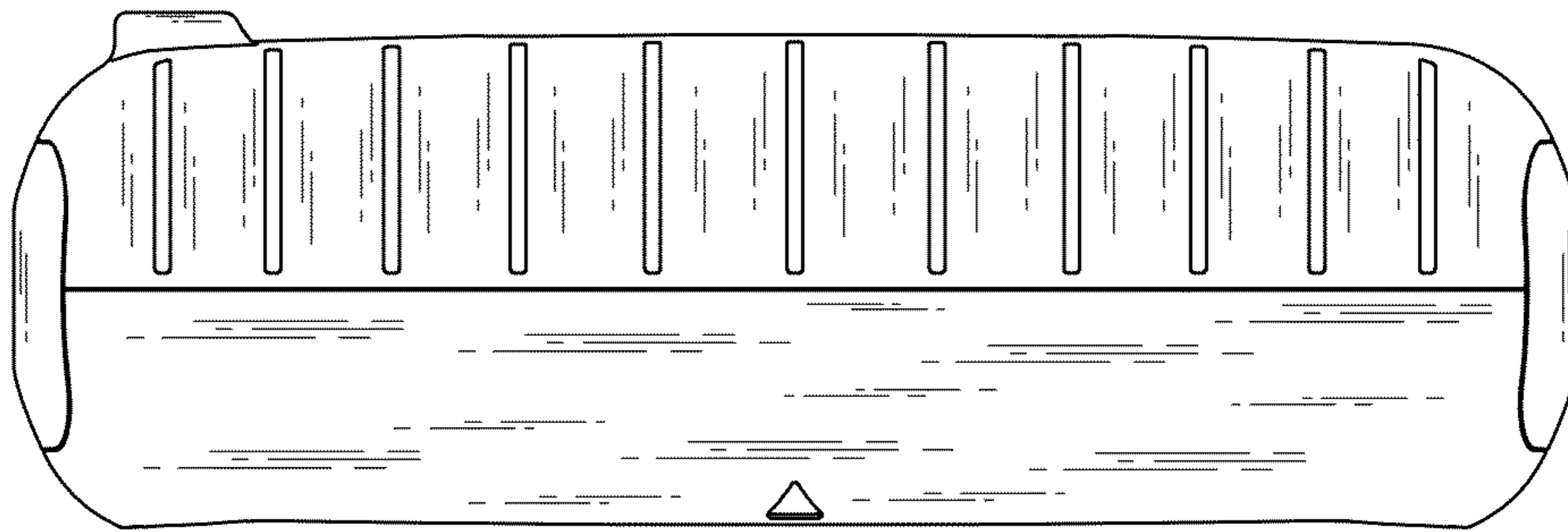


FIG. 7

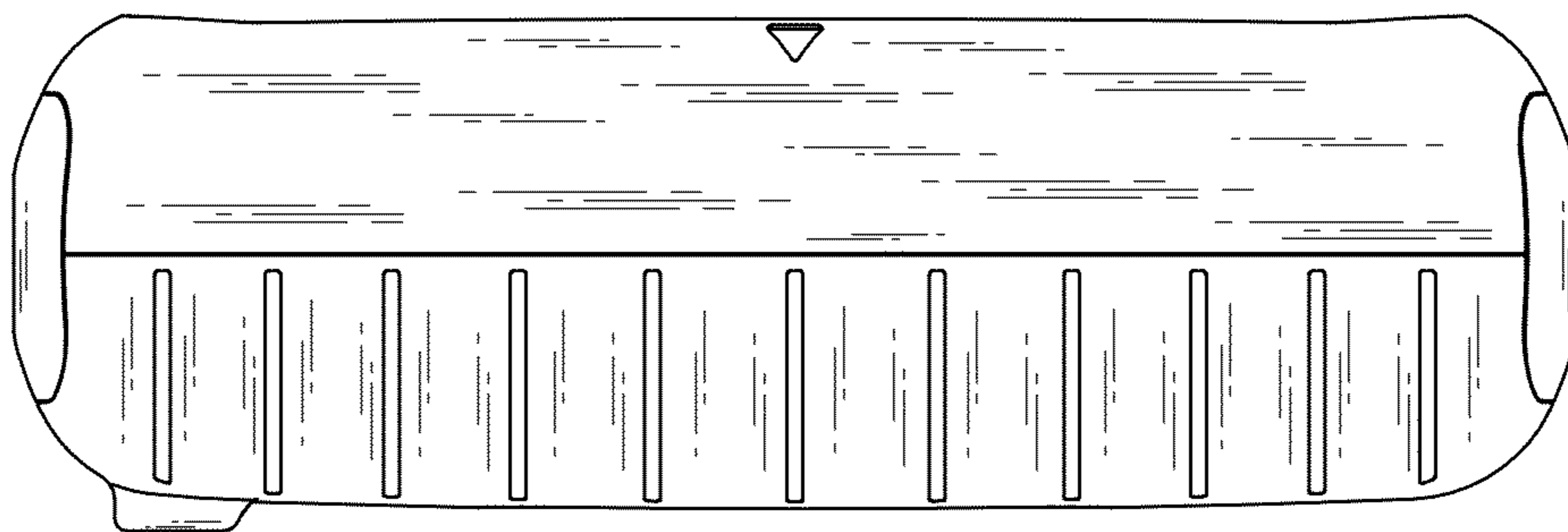


FIG. 8

