



US00D733045S

(12) **United States Design Patent**
Venida et al.

(10) **Patent No.:** **US D733,045 S**
(45) **Date of Patent:** **** Jun. 30, 2015**

(54) **CHARGER**

(71) Applicant: **ACCO Brands Corporation**, Lake Zurich, IL (US)

(72) Inventors: **A. John Venida**, San Francisco, CA (US); **Peter A. Sgromo**, San Francisco, CA (US); **Barry Marshall**, Santa Clara, CA (US)

(73) Assignee: **ACCO Brands Corporation**, Lake Zurich, IL (US)

(**) Term: **14 Years**

(21) Appl. No.: **29/471,375**

(22) Filed: **Oct. 31, 2013**

(51) **LOC (10) Cl.** **13-02**

(52) **U.S. Cl.**
USPC **D13/107**

(58) **Field of Classification Search**
USPC D13/107-110, 118-119, 184, 199;
D14/251, 253, 432, 434
CPC H02J 7/025; H02J 7/0042; H02J 7/0044;
H02J 7/0045; H02J 7/0054; H02J 7/0003;
B60L 11/182; Y02E 60/12; Y02T 10/7005;
Y02T 10/7088; Y02T 90/14; Y02T 90/163;
Y02T 90/122; Y02T 90/128; H01M 2/1022;
H01M 2/1055; H01M 10/46; H01M 10/44;
H01M 10/425; H01F 38/14; H01R 13/6675
See application file for complete search history.

(56) **References Cited**

U.S. PATENT DOCUMENTS

D340,027 S * 10/1993 Tortola D13/103
D406,259 S * 3/1999 Lindahl D13/110
D474,739 S * 5/2003 Chang D13/110
D562,766 S * 2/2008 Yang D13/110

D573,946 S * 7/2008 Ledbetter et al. D13/110
D632,650 S * 2/2011 Rashid et al. D13/110
D638,355 S * 5/2011 Chen D13/110
D638,356 S * 5/2011 Chen D13/110
D682,202 S * 5/2013 Weaver et al. D13/108
D682,781 S * 5/2013 Wakafuji et al. D13/110
D721,328 S * 1/2015 Freeman et al. D13/110
2013/0307464 A1 * 11/2013 Zhu 320/101

FOREIGN PATENT DOCUMENTS

WO 2012094518 7/2012

OTHER PUBLICATIONS

Co-pending Design U.S. Appl. No. 29/471,377, filed Oct. 31, 2013.

* cited by examiner

Primary Examiner — Rosemary K Tarcza

(74) *Attorney, Agent, or Firm* — Michael Best & Friedrich LLP

(57) **CLAIM**

We claim the ornamental design for a charger, as shown in FIGS. 1-7 and described.

DESCRIPTION

FIG. 1 is a perspective view of a charger according to one embodiment of the design.

FIG. 2 is a first side view of the charger of FIG. 1.

FIG. 3 is a second side view of the charger of FIG. 1.

FIG. 4 is a third side view of the charger of FIG. 1.

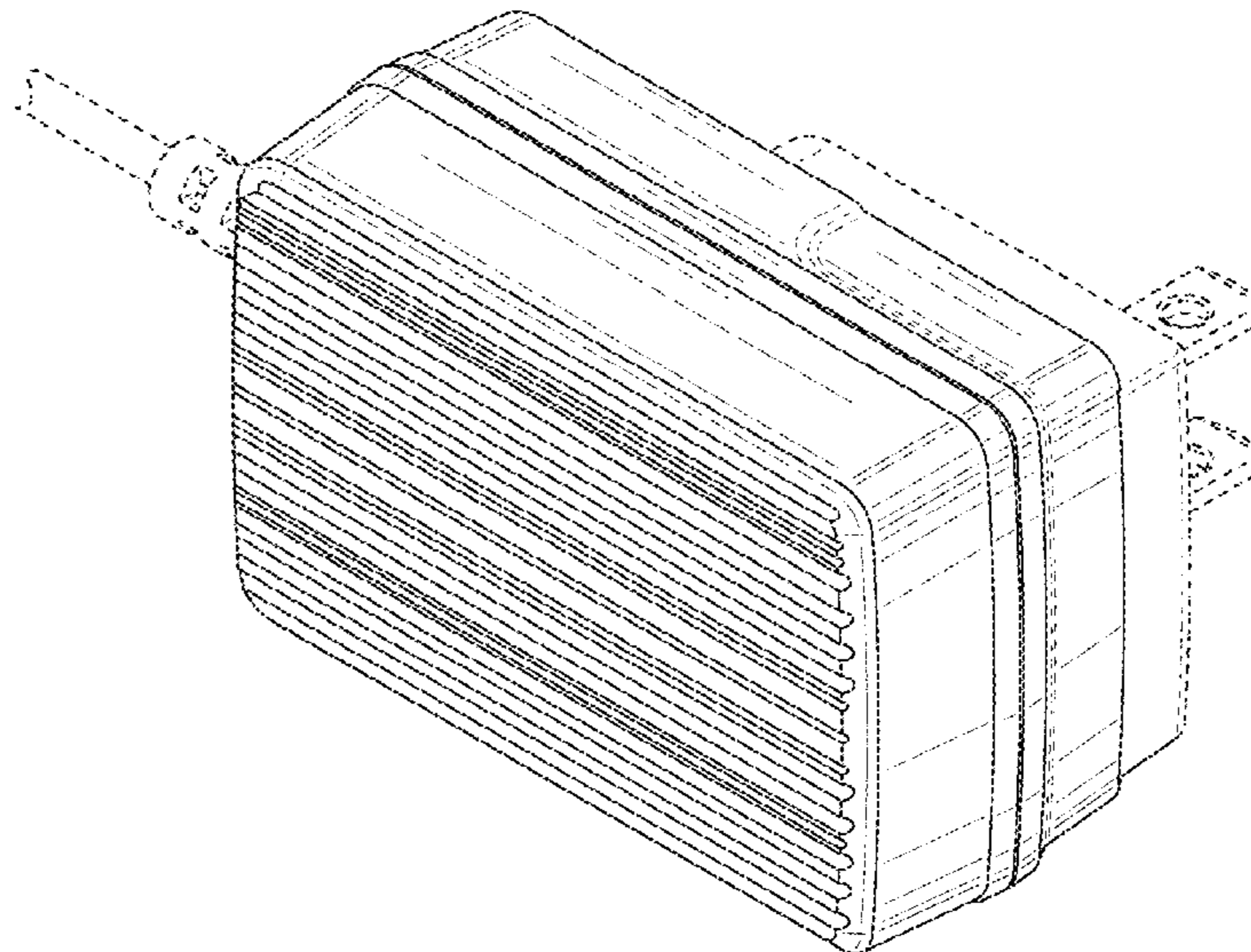
FIG. 5 is a fourth side view of the charger of FIG. 1.

FIG. 6 is a first end view of the charger of FIG. 1; and,

FIG. 7 is a second end view of the charger of FIG. 1.

The broken lines showing portions of the charger in the drawings are included for the purpose of illustrating environmental structure and form no part of the claimed design.

1 Claim, 7 Drawing Sheets



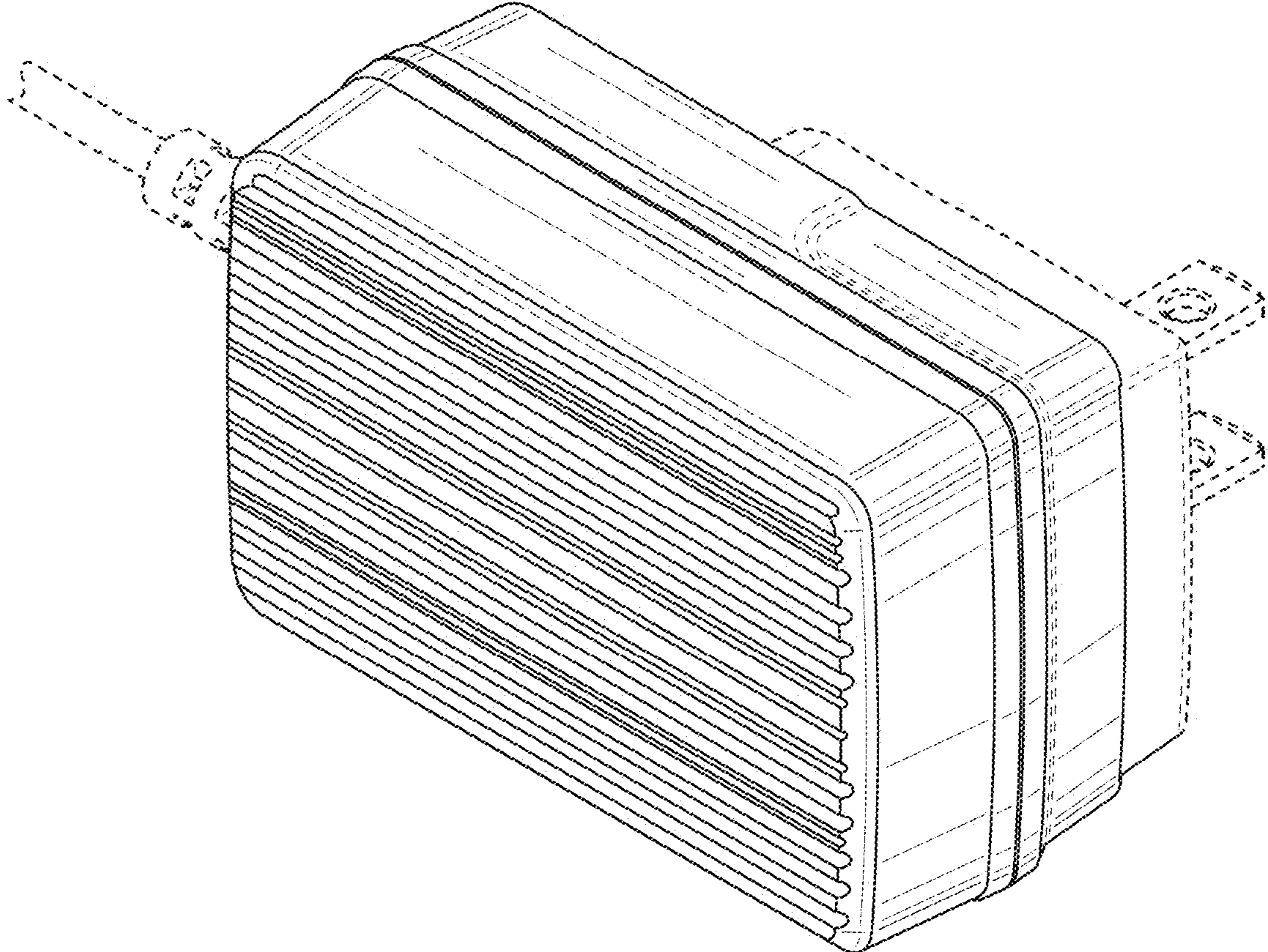


FIG. 1

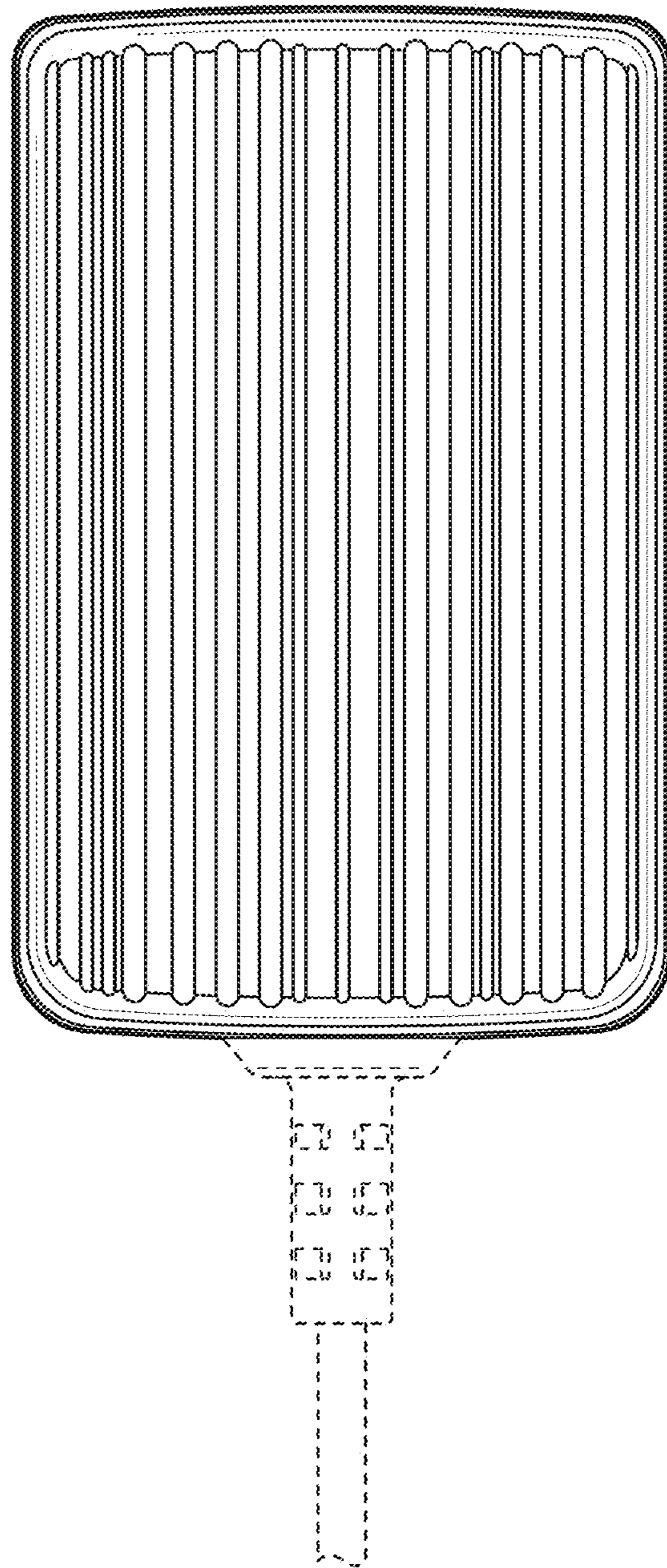


FIG. 2

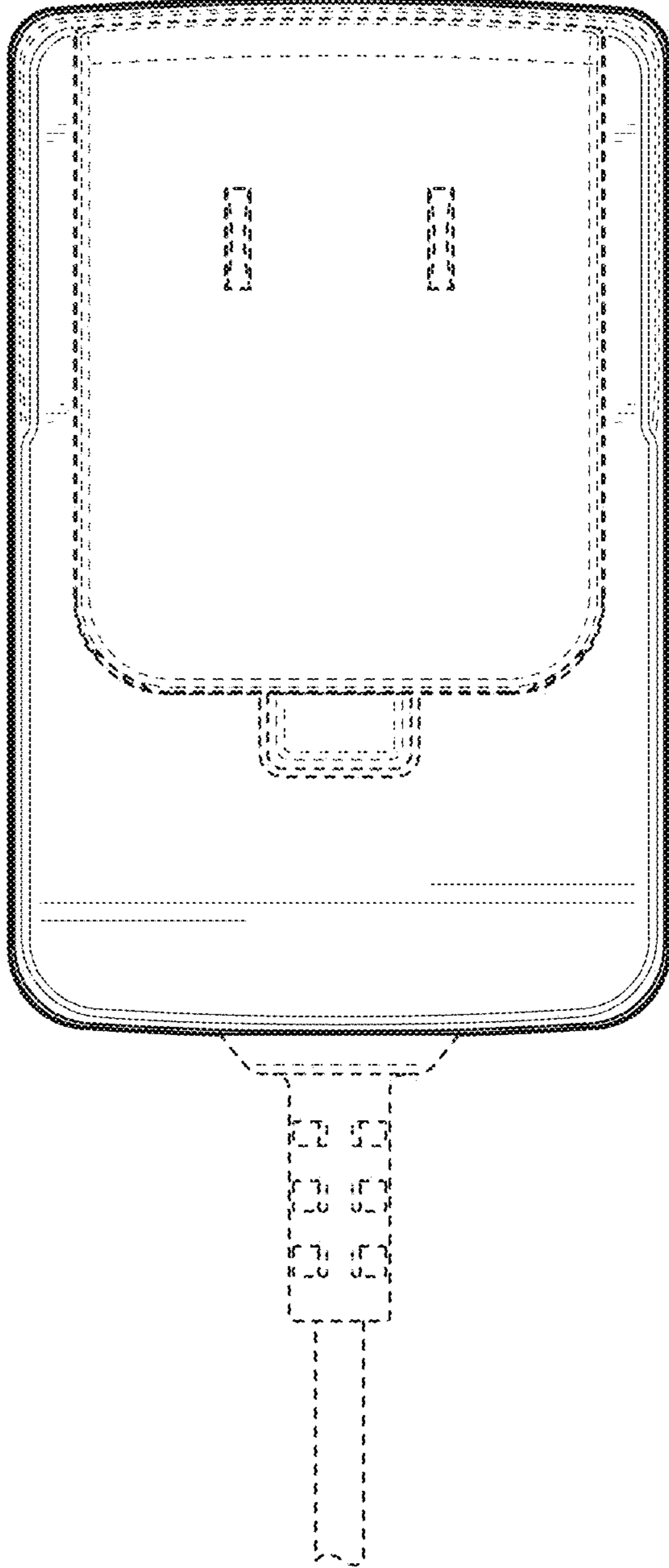


FIG. 3

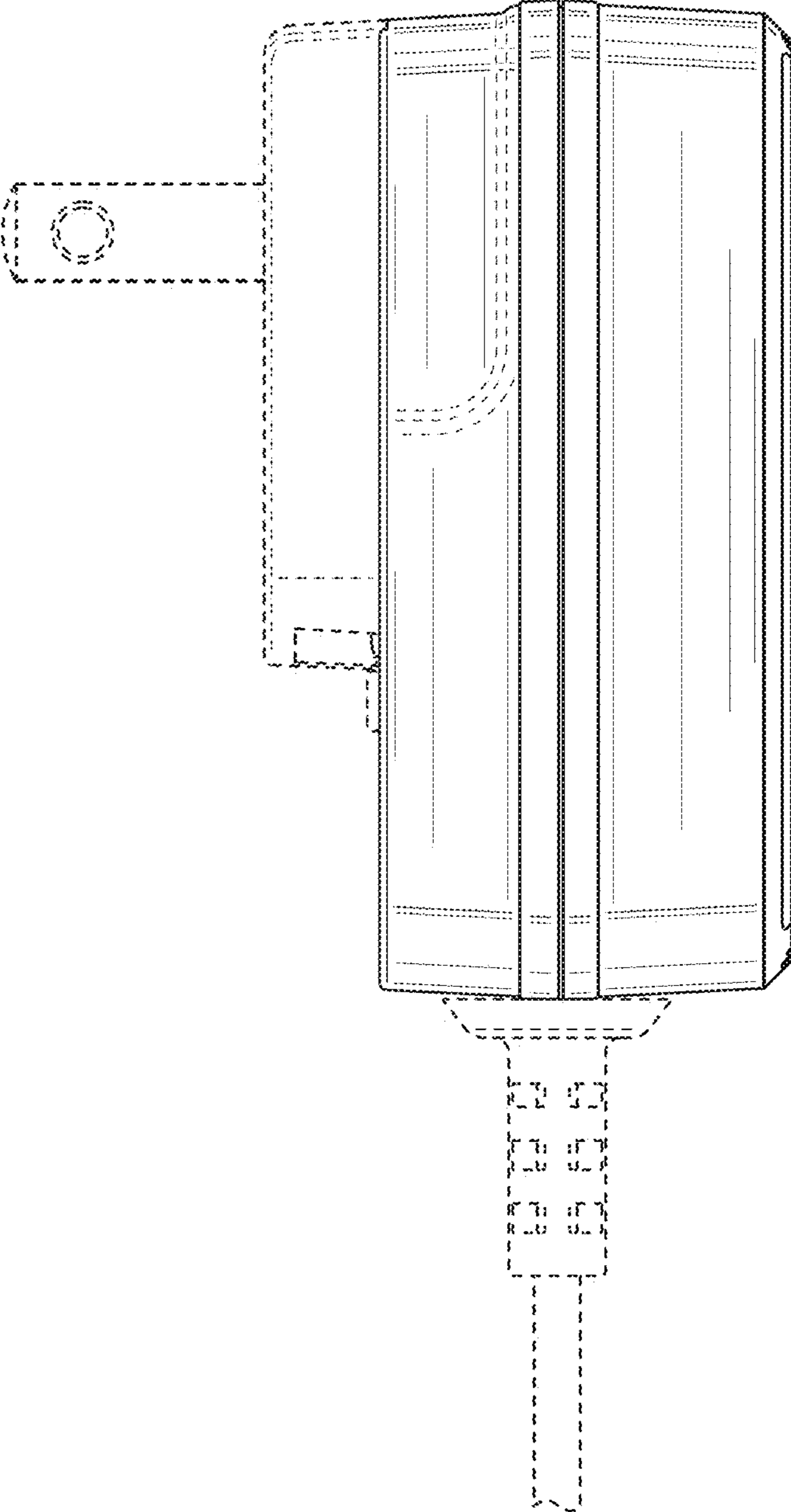


FIG. 4

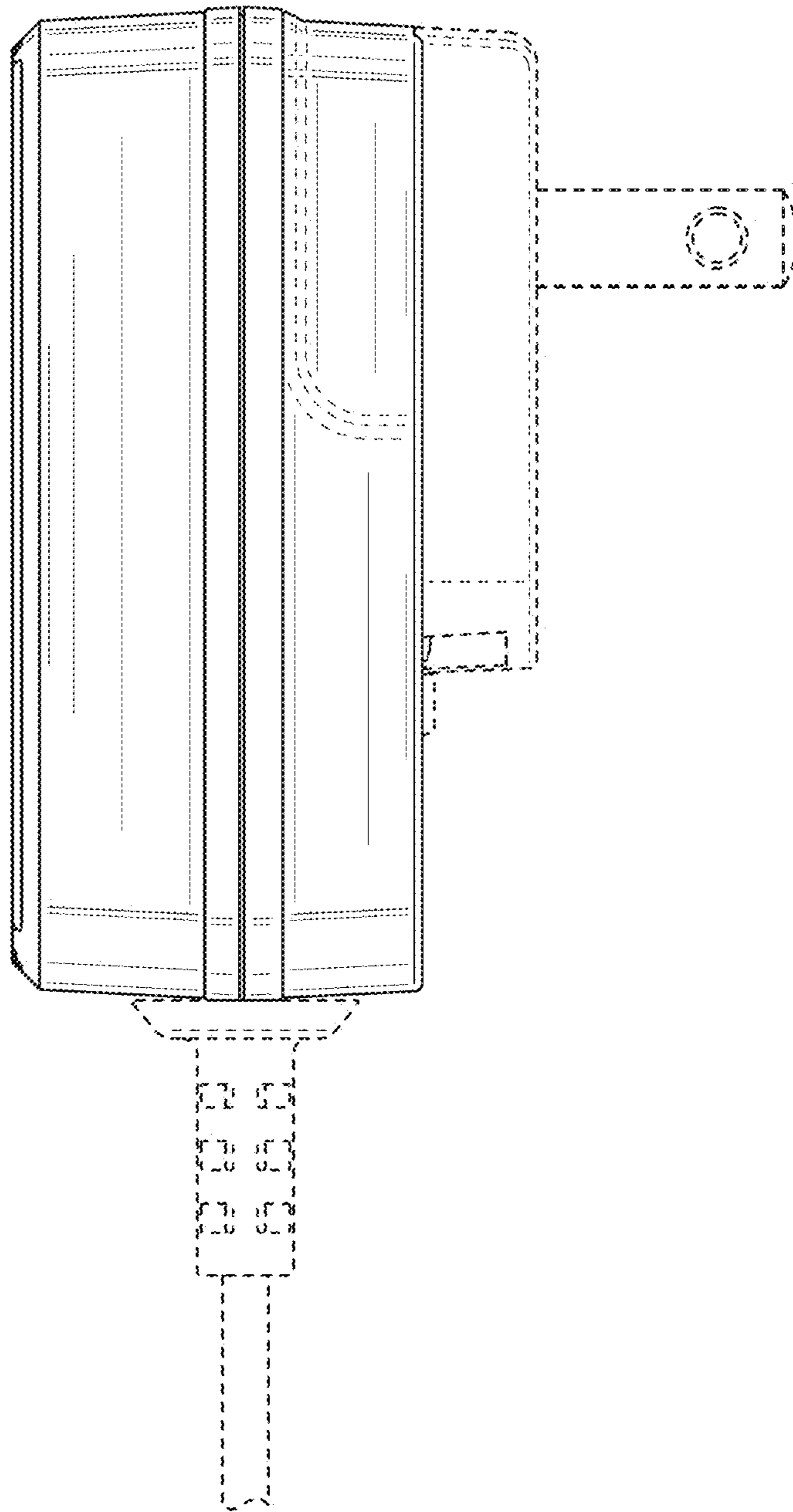


FIG. 5

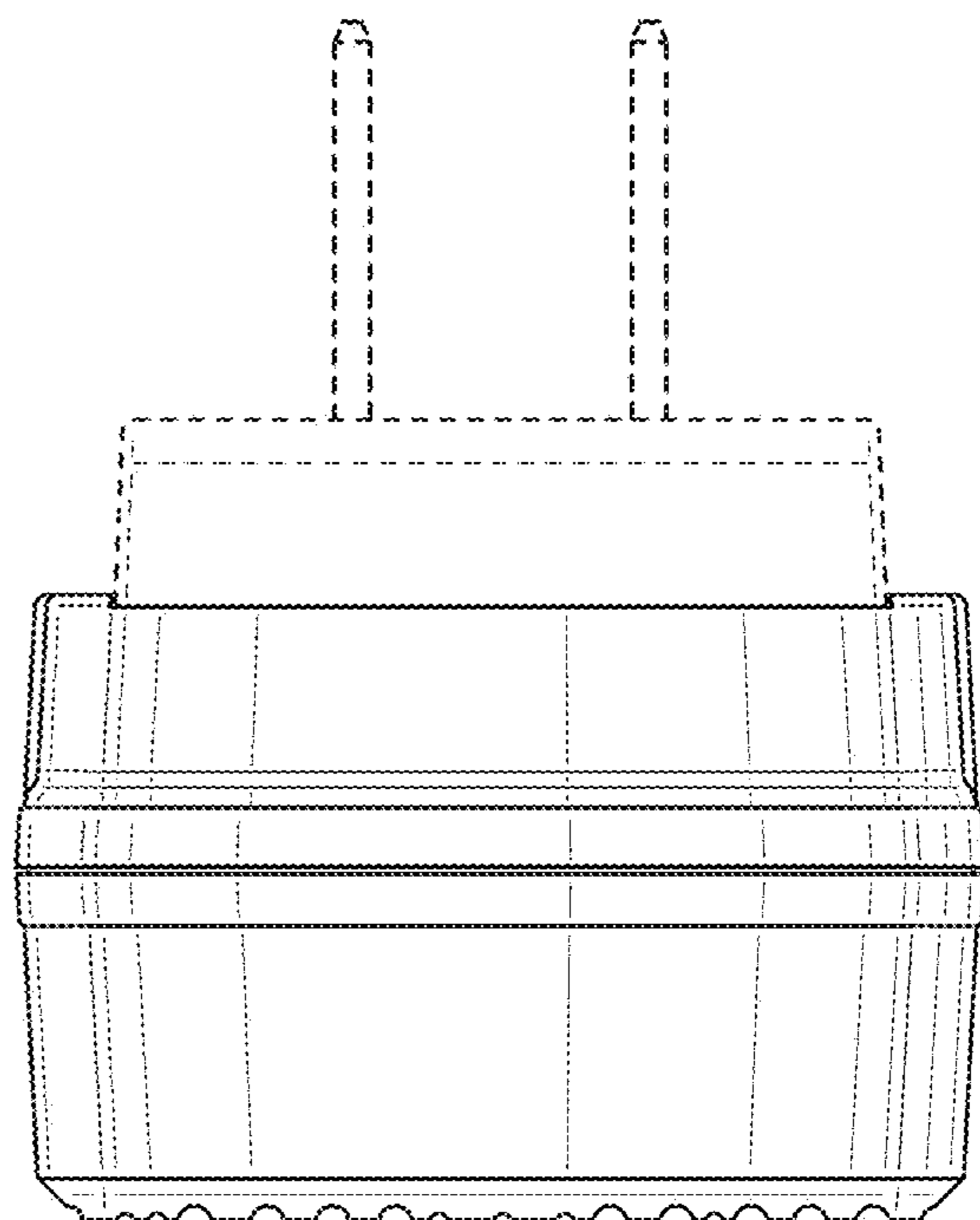


FIG. 6

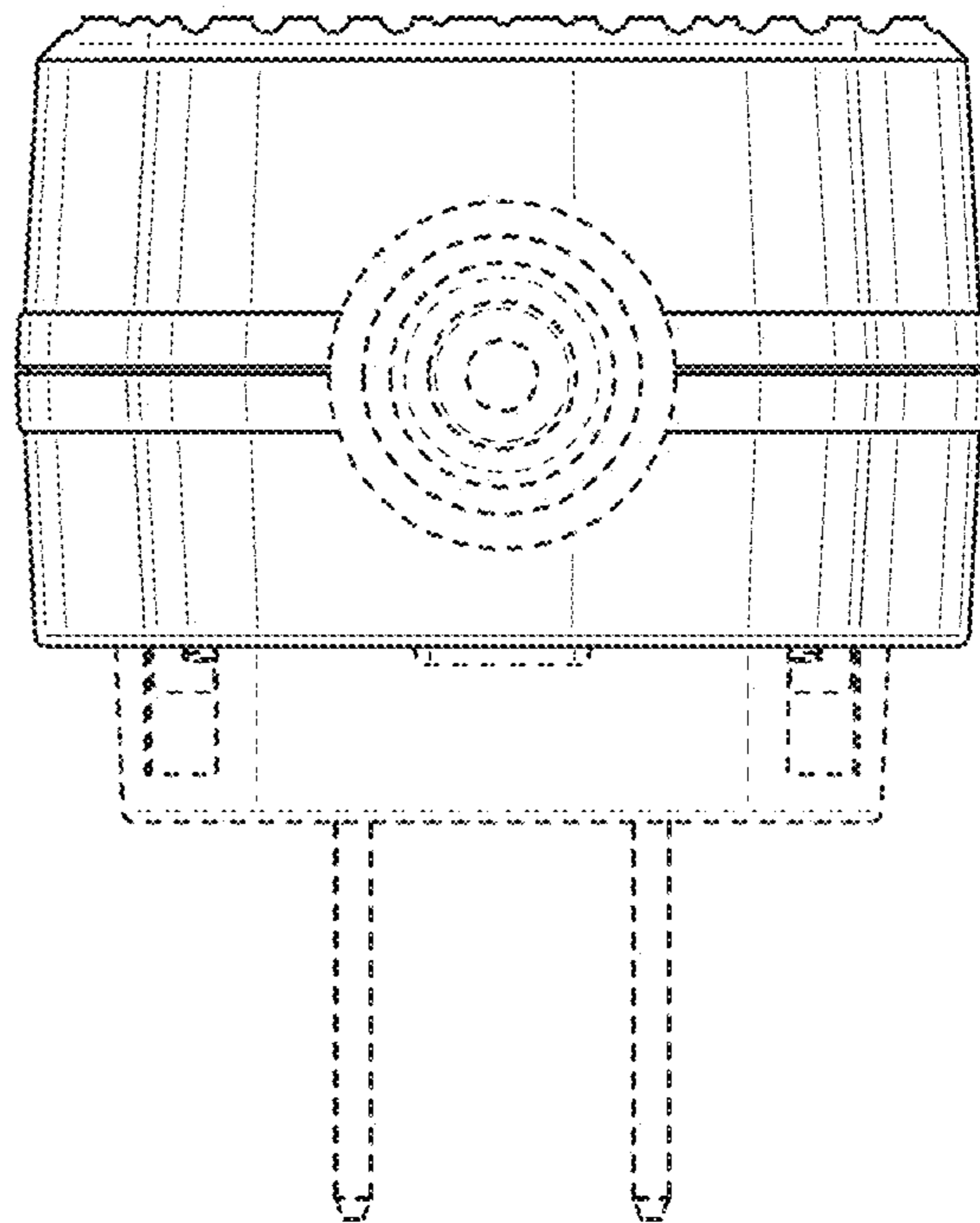


FIG. 7