



US00D733044S

(12) **United States Design Patent**  
**Moribe et al.**

(10) **Patent No.:** **US D733,044 S**  
(45) **Date of Patent:** **\*\* Jun. 30, 2015**

(54) **ELECTRIC VEHICLE CHARGER WITH SINGLE OPENING FOR CONNECTOR OF AN ELECTRIC CABLE**

D404,006 S \* 1/1999 Clowers et al. .... D13/107  
D483,957 S \* 12/2003 Skinner ..... D6/302  
D490,990 S \* 6/2004 Li ..... D6/310

(Continued)

(71) Applicants: **Denso Wave Incorporated**, Aichi-pref. (JP); **Denso Corporation**, Aichi-pref. (JP)

*Primary Examiner* — Rosemary K Tarcza  
(74) *Attorney, Agent, or Firm* — Posz Law Group, PLC

(72) Inventors: **Nobuo Moribe**, Obu (JP); **Yuji Tsuchiya**, Nagoya (JP); **Hironobu Ando**, Obu (JP)

(57) **CLAIM**

The ornamental design for an electric vehicle charger with single opening for connector of an electric cable, as shown and described.

(73) Assignees: **DENSO WAVE INCORPORATED**, Aichi-pref. (JP); **DENSO CORPORATION**, Kariya (JP)

**DESCRIPTION**

(\*\*) Term: **14 Years**

(21) Appl. No.: **29/446,645**

(22) Filed: **Feb. 26, 2013**

(30) **Foreign Application Priority Data**

Aug. 27, 2012 (JP) ..... 2012-020522

(51) **LOC (10) Cl.** ..... **13-02**

(52) **U.S. Cl.**  
USPC ..... **D13/107**

(58) **Field of Classification Search**  
USPC ..... D13/106–110, 118–119, 184, 199;  
D15/9; 320/103–115; D6/310–312,  
D6/301–302

See application file for complete search history.

(56) **References Cited**

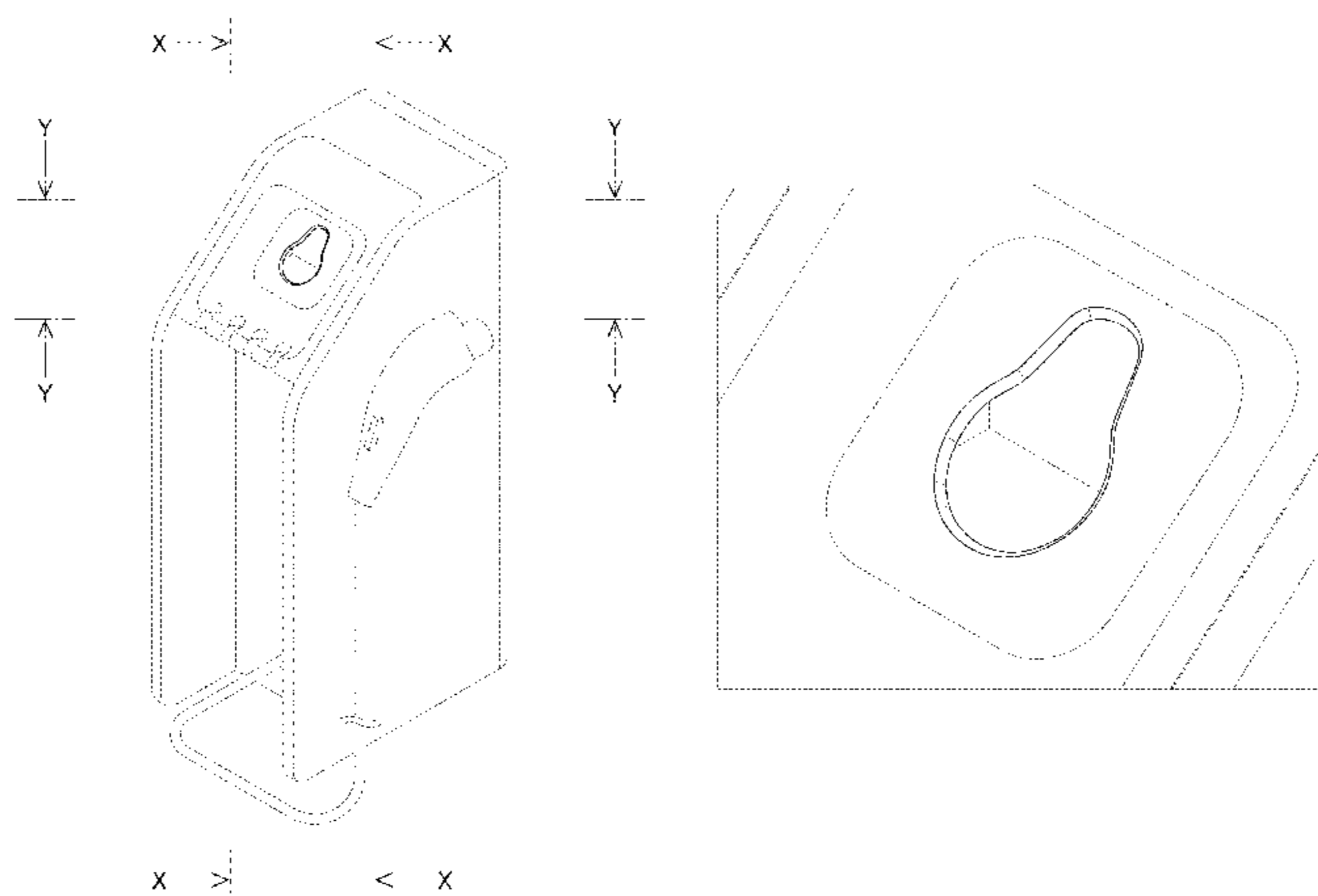
**U.S. PATENT DOCUMENTS**

D231,901 S \* 6/1974 Bentley ..... D8/371  
D241,299 S \* 9/1976 Ohls ..... D6/301  
D332,528 S \* 1/1993 Neal ..... D6/301  
D337,303 S \* 7/1993 Naft et al. .... D13/108  
D340,811 S \* 11/1993 Vaughan ..... D6/310  
D345,296 S \* 3/1994 Thomas ..... D8/356  
D397,983 S \* 9/1998 Pingel et al. .... D12/217  
D397,984 S \* 9/1998 Pingel et al. .... D12/217

FIG. 1 is a perspective view of an electric vehicle charger with single opening for connector of an electric cable;  
FIG. 2 is a front view of the electric vehicle charger with single opening for connector of an electric cable;  
FIG. 3 is a rear view of the electric vehicle charger with single opening for connector of an electric cable;  
FIG. 4 is a right side view of the electric vehicle charger with single opening for connector of an electric cable;  
FIG. 5 is a left side view of the electric vehicle charger with single opening for connector of an electric cable;  
FIG. 6 is a top view of the electric vehicle charger with single opening for connector of an electric cable;  
FIG. 7 is a bottom view of the electric vehicle charger with single opening for connector of an electric cable;  
FIG. 8 is an enlarged front view defined by the ranges A-A and B-B of FIG. 2;  
FIG. 9 is an enlarged cross-sectional view defined by the ranges D-D and E-E of FIG. 6 and the range M-M of FIG. 4 and taken along the line C-C of FIG. 8;  
FIG. 10 is an enlarged top view defined by the ranges D-D and E-E of FIG. 6; and,  
FIG. 11 is an enlarged perspective view defined by the ranges X-X and Y-Y of FIG. 1.

The broken line showing of a body, a connector and an electric cable is for the purpose of illustrating unclaimed portions of the electric vehicle charger and forms no part of the claimed design.

**1 Claim, 11 Drawing Sheets**



(56)

**References Cited**

U.S. PATENT DOCUMENTS

D505,913 S \* 6/2005 Kam Lun et al. .... D13/107  
D517,478 S \* 3/2006 Bayat et al. .... D13/108

D541,743 S \* 5/2007 Virolainen ..... D13/110  
D569,630 S \* 5/2008 Bradford ..... D6/310  
D689,853 S \* 9/2013 Smith ..... D14/253  
D698,309 S \* 1/2014 Moribe et al. .... D13/107

\* cited by examiner

FIG. 1

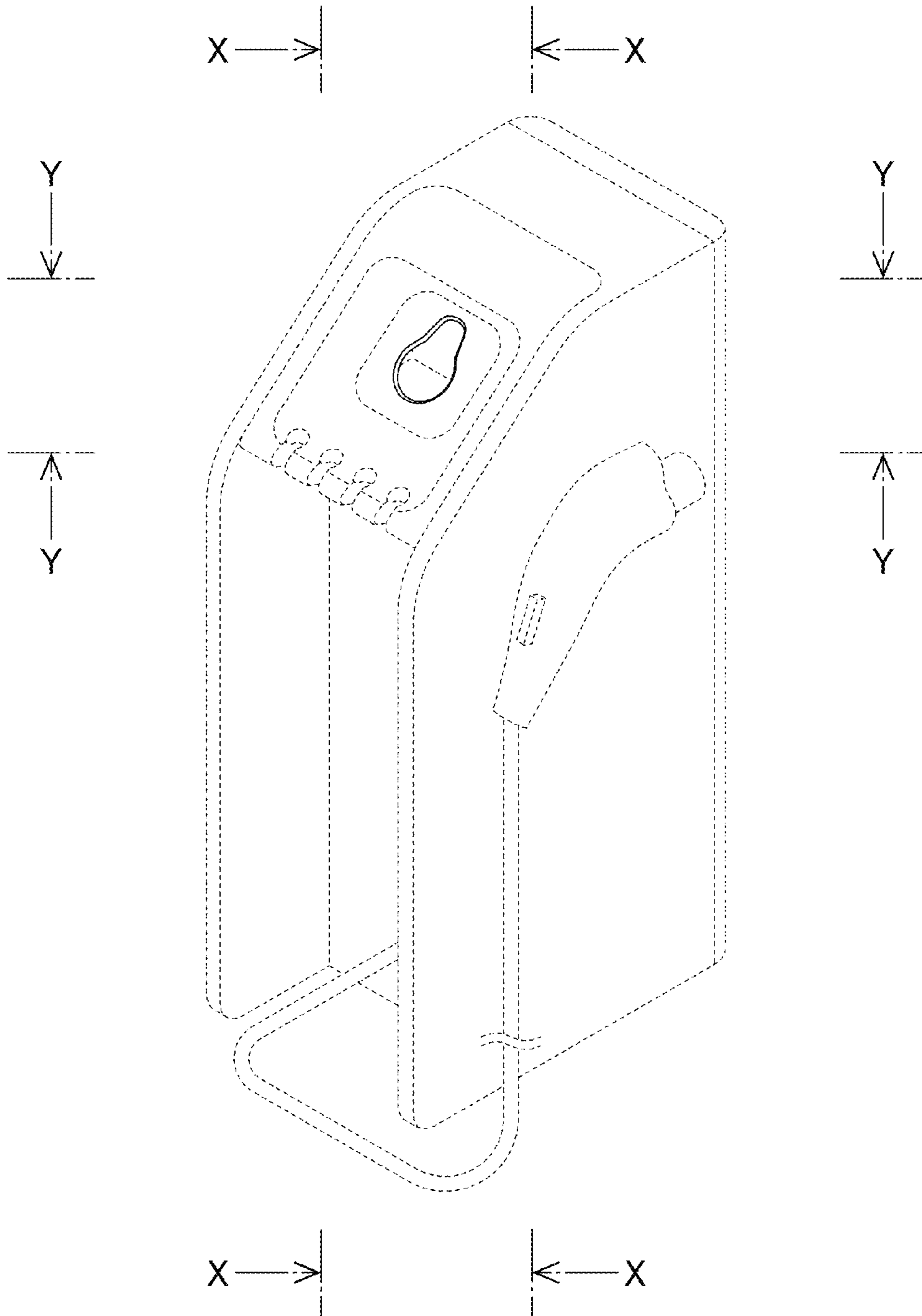


FIG.2

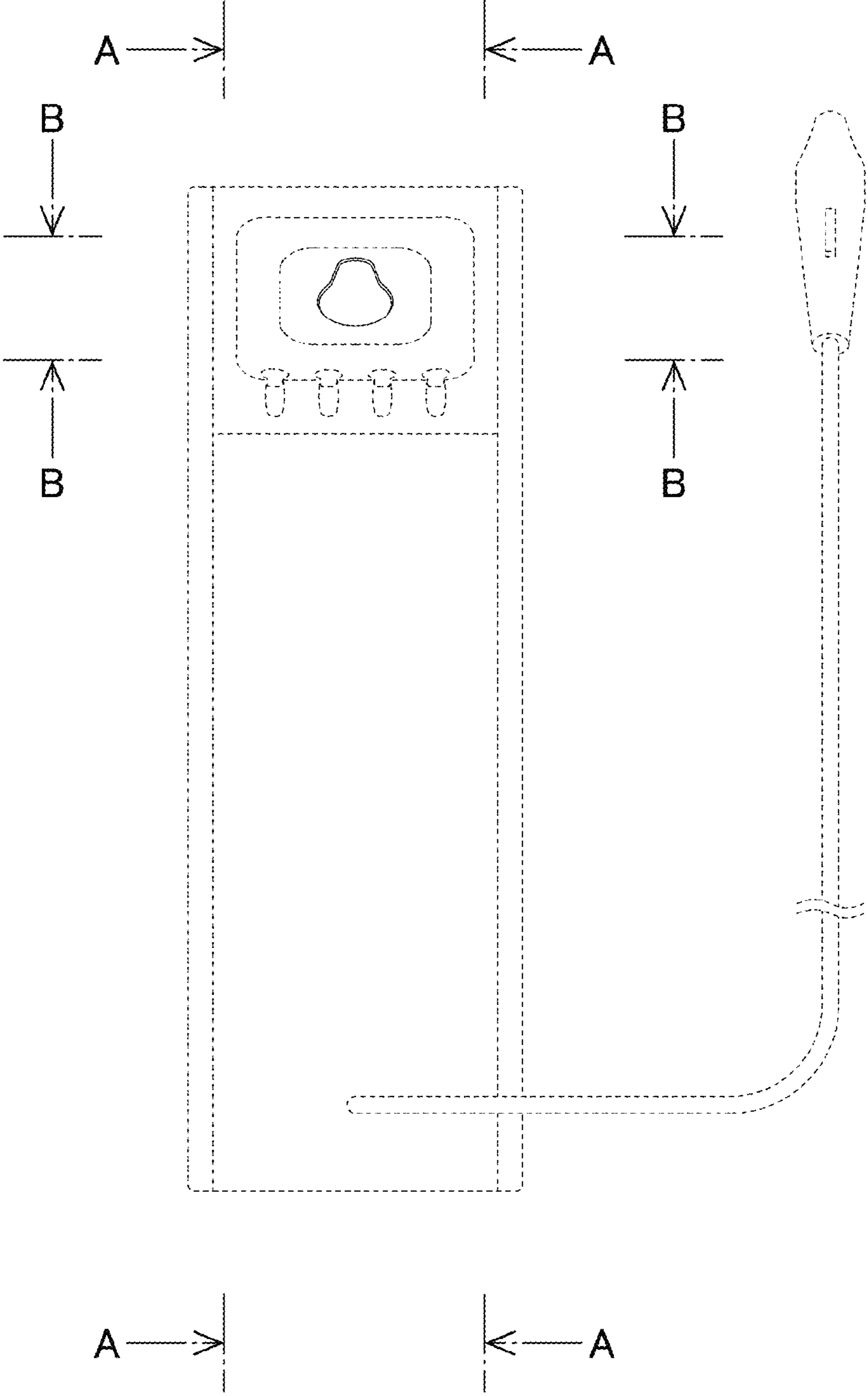


FIG. 3

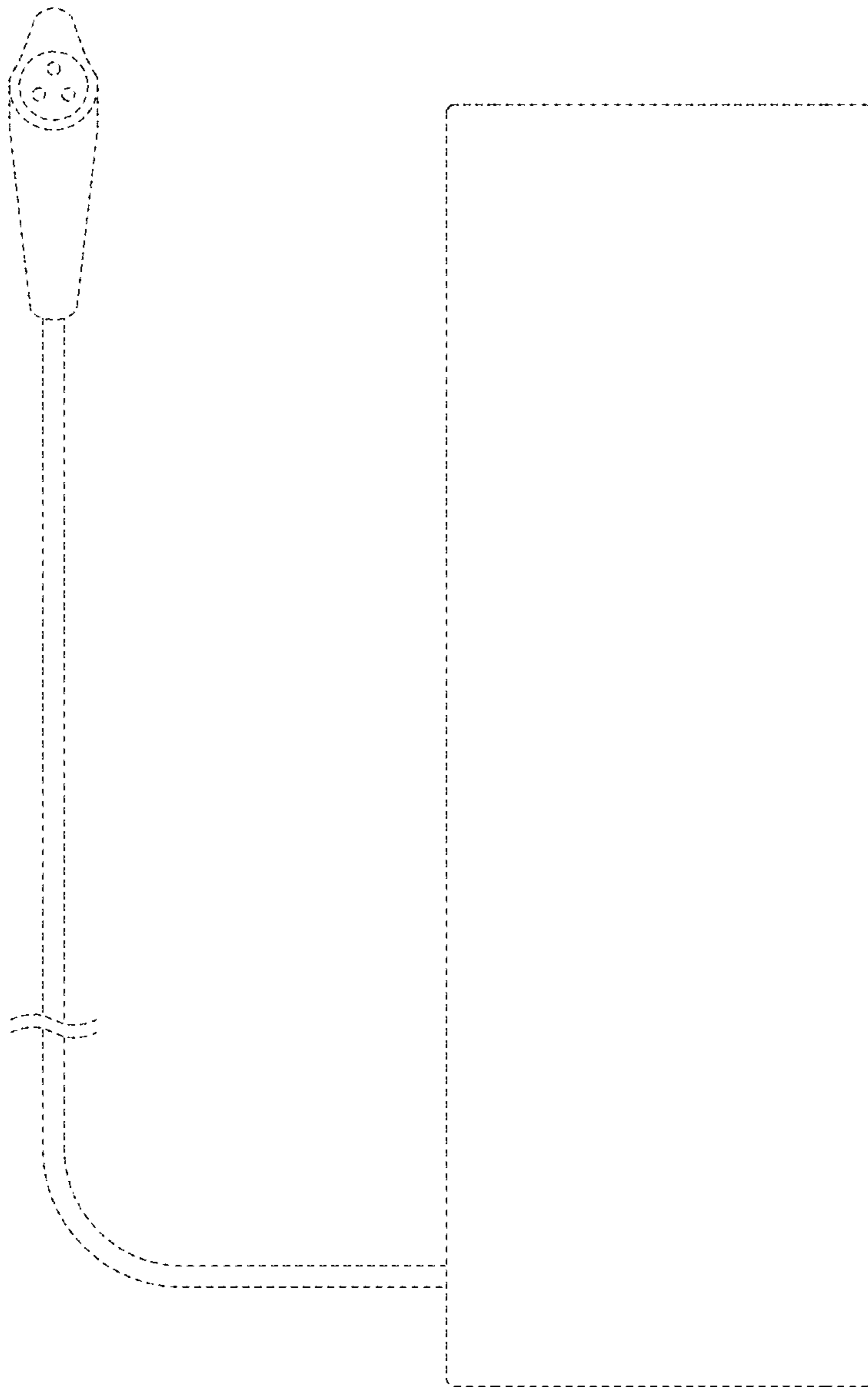


FIG. 4

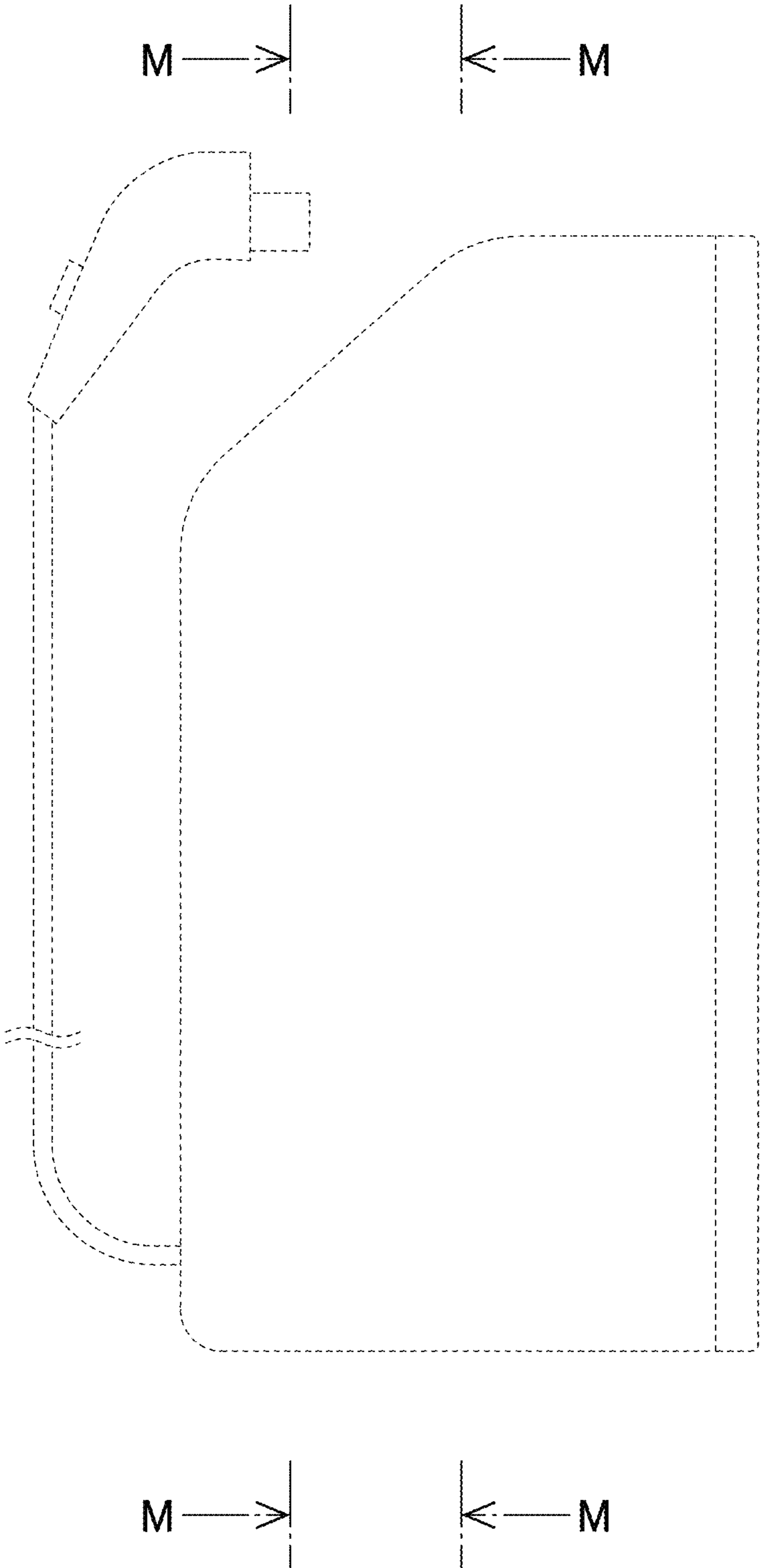


FIG.5

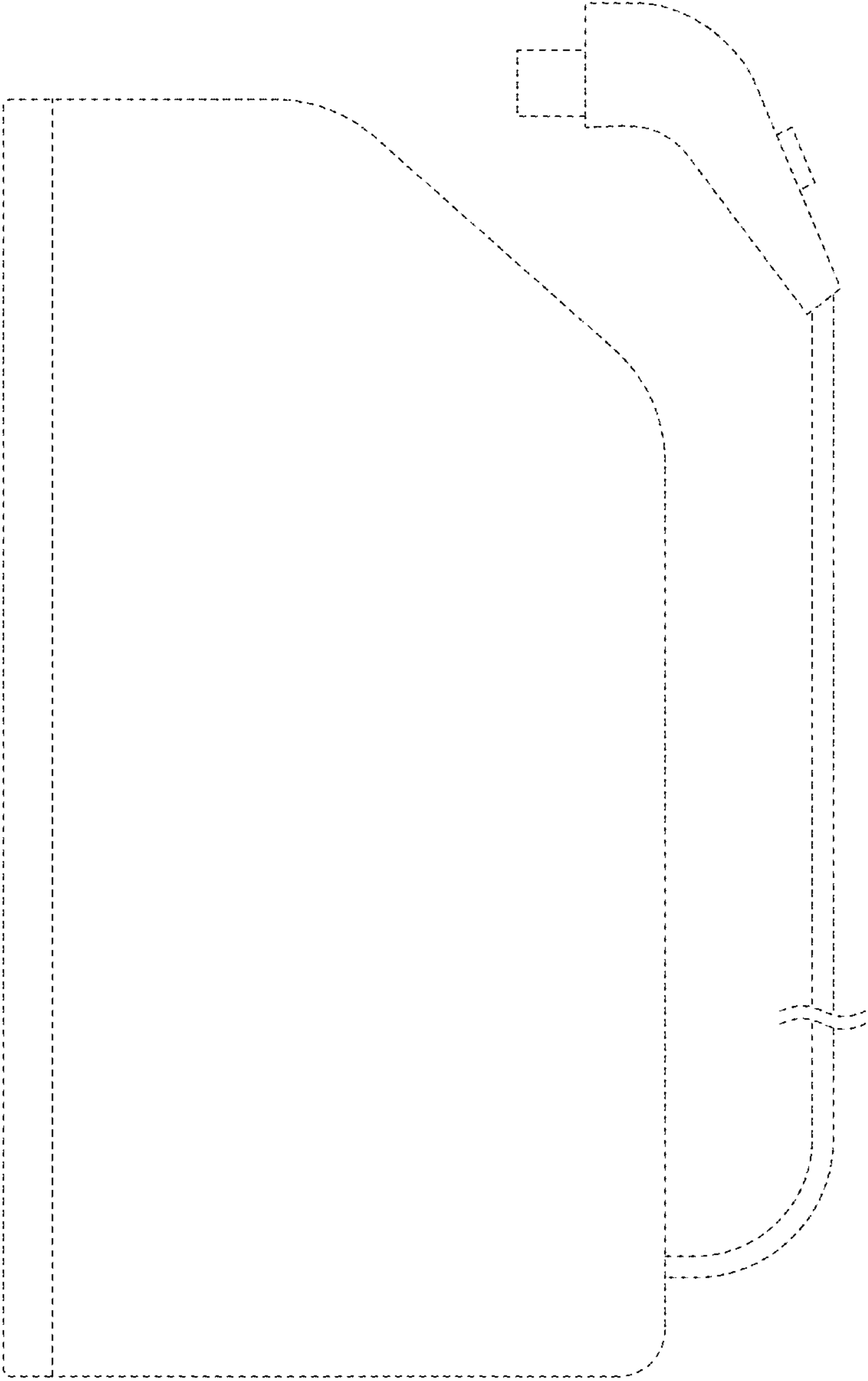


FIG. 6

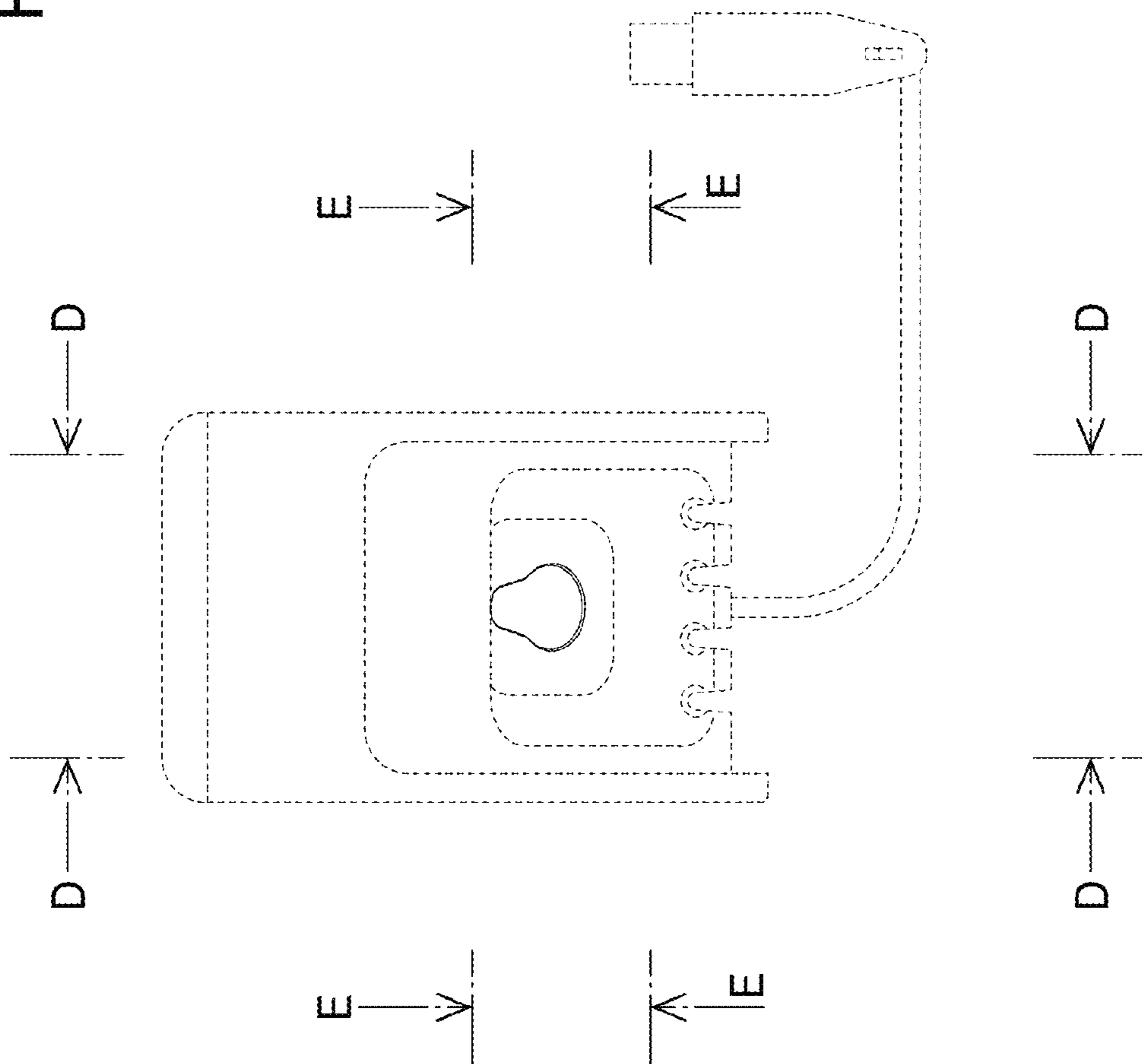




FIG. 7

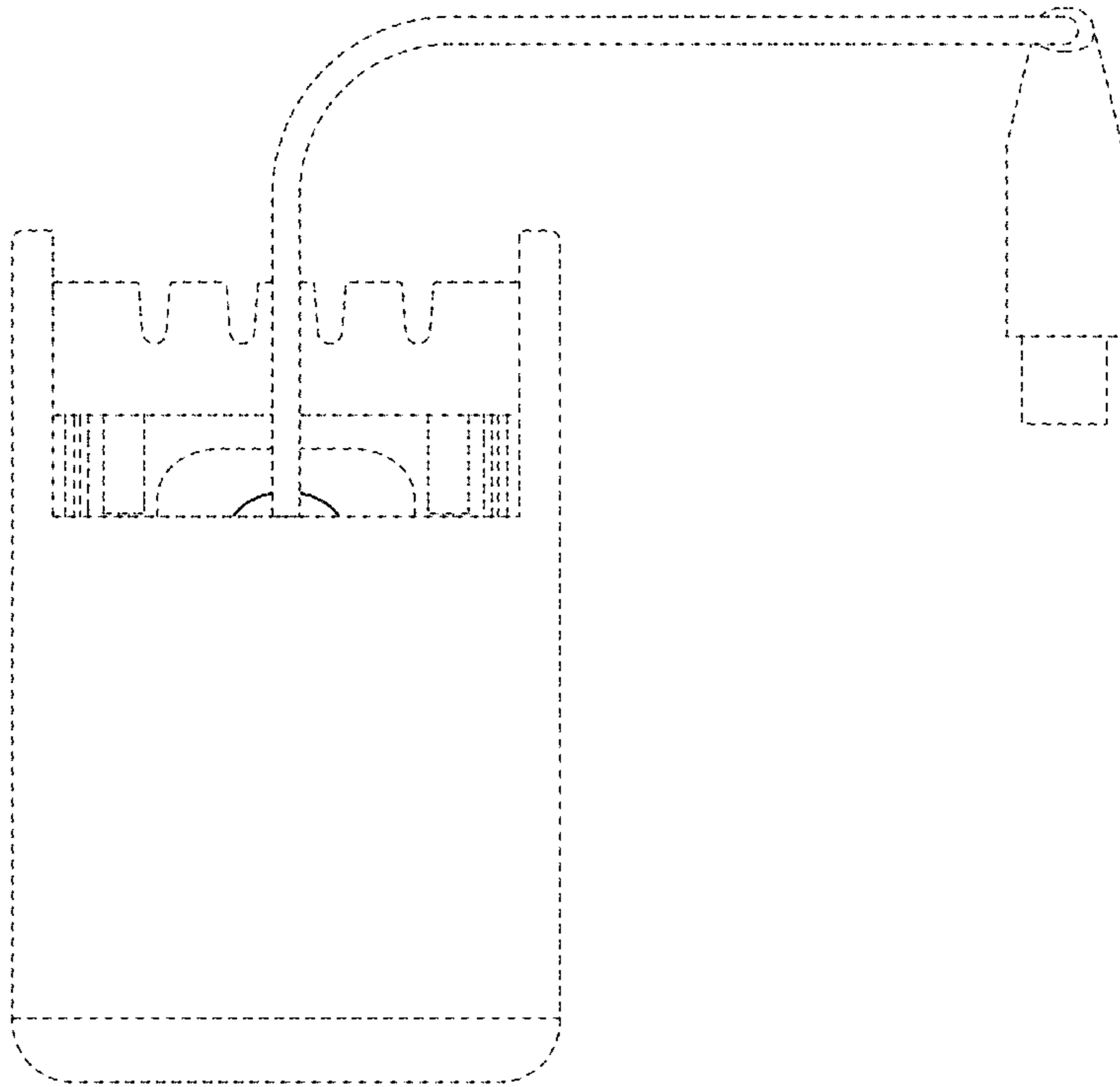


FIG. 8

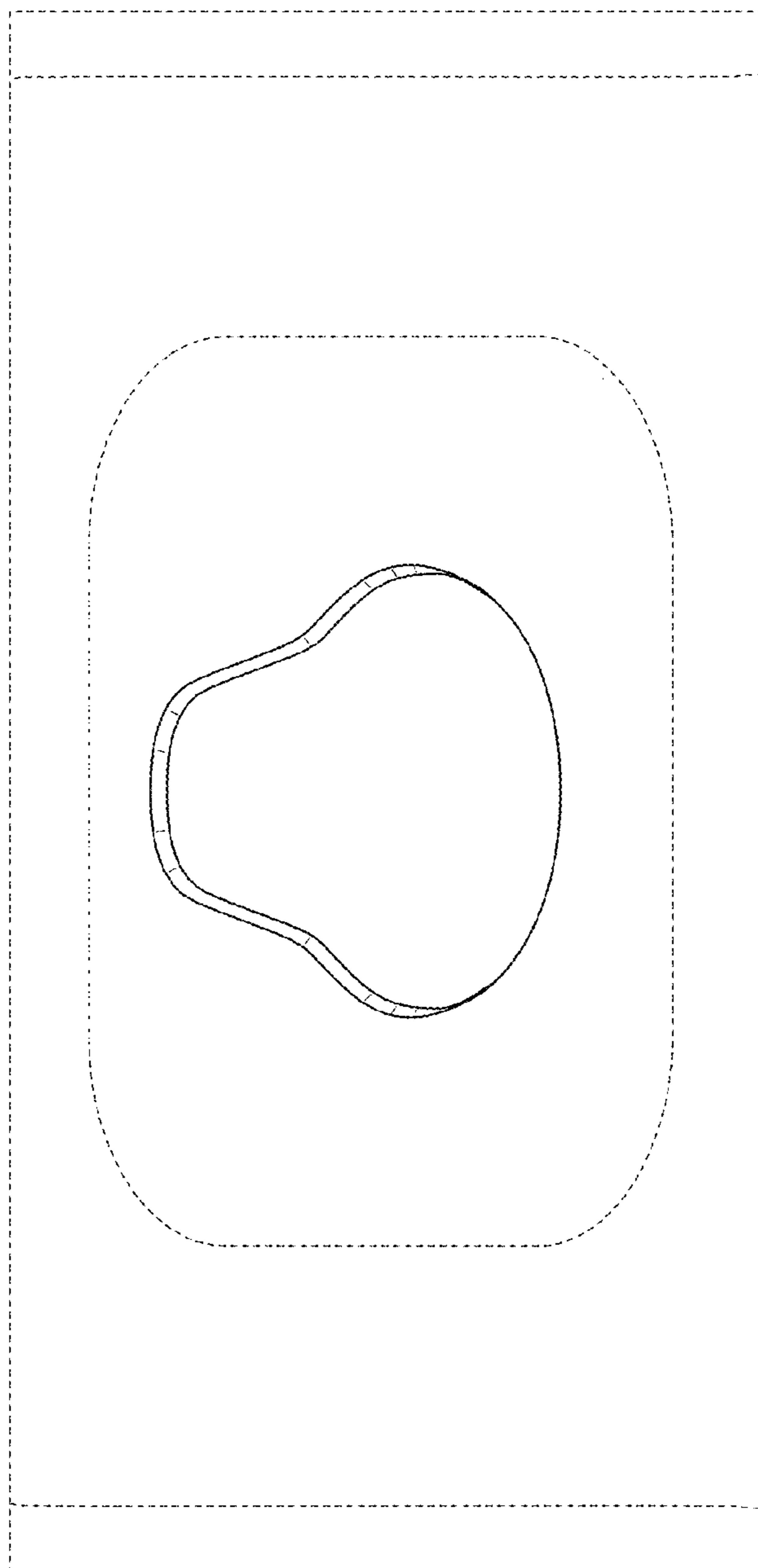
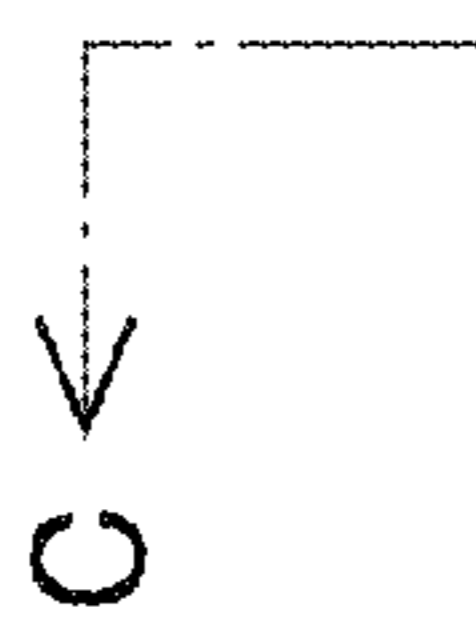


FIG. 9

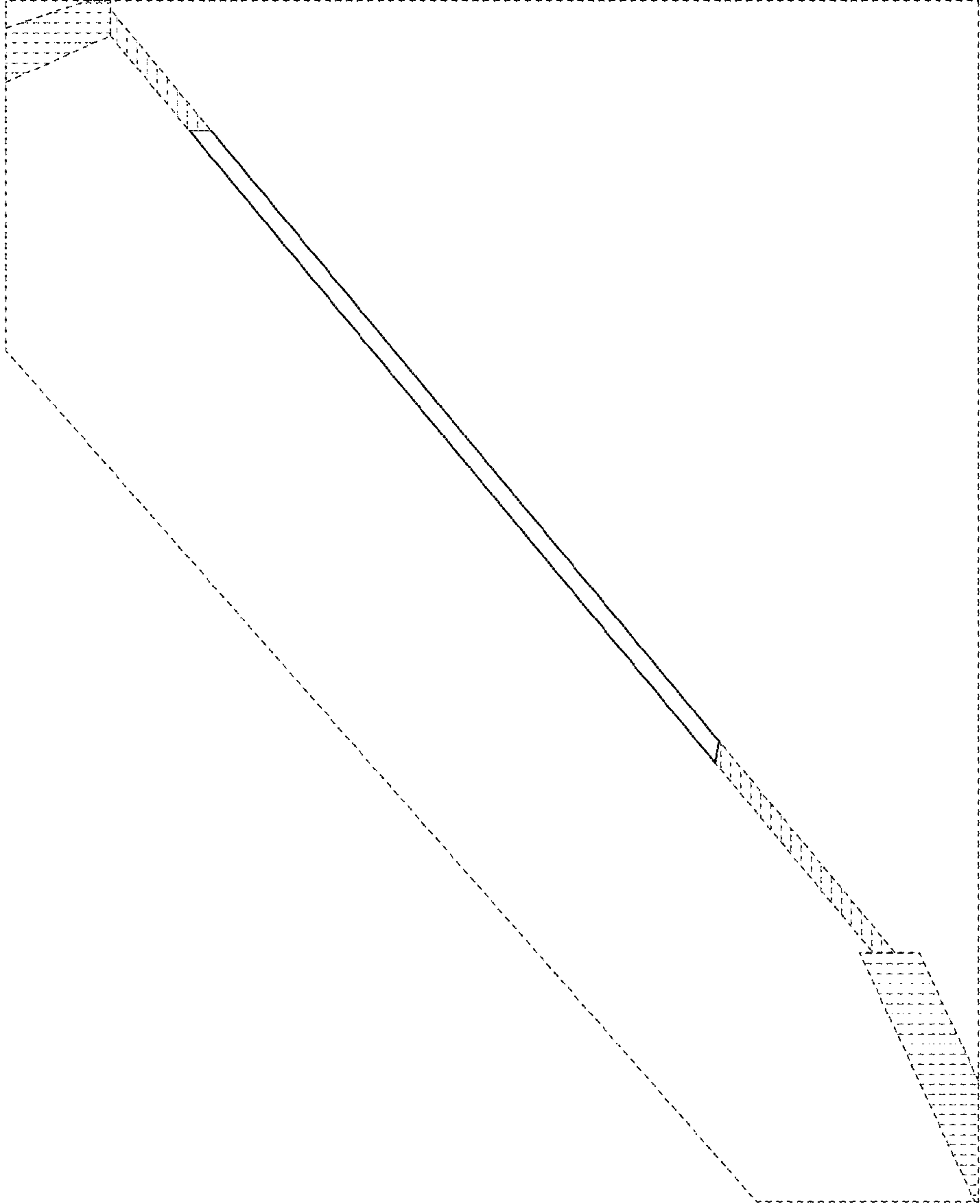


FIG. 10

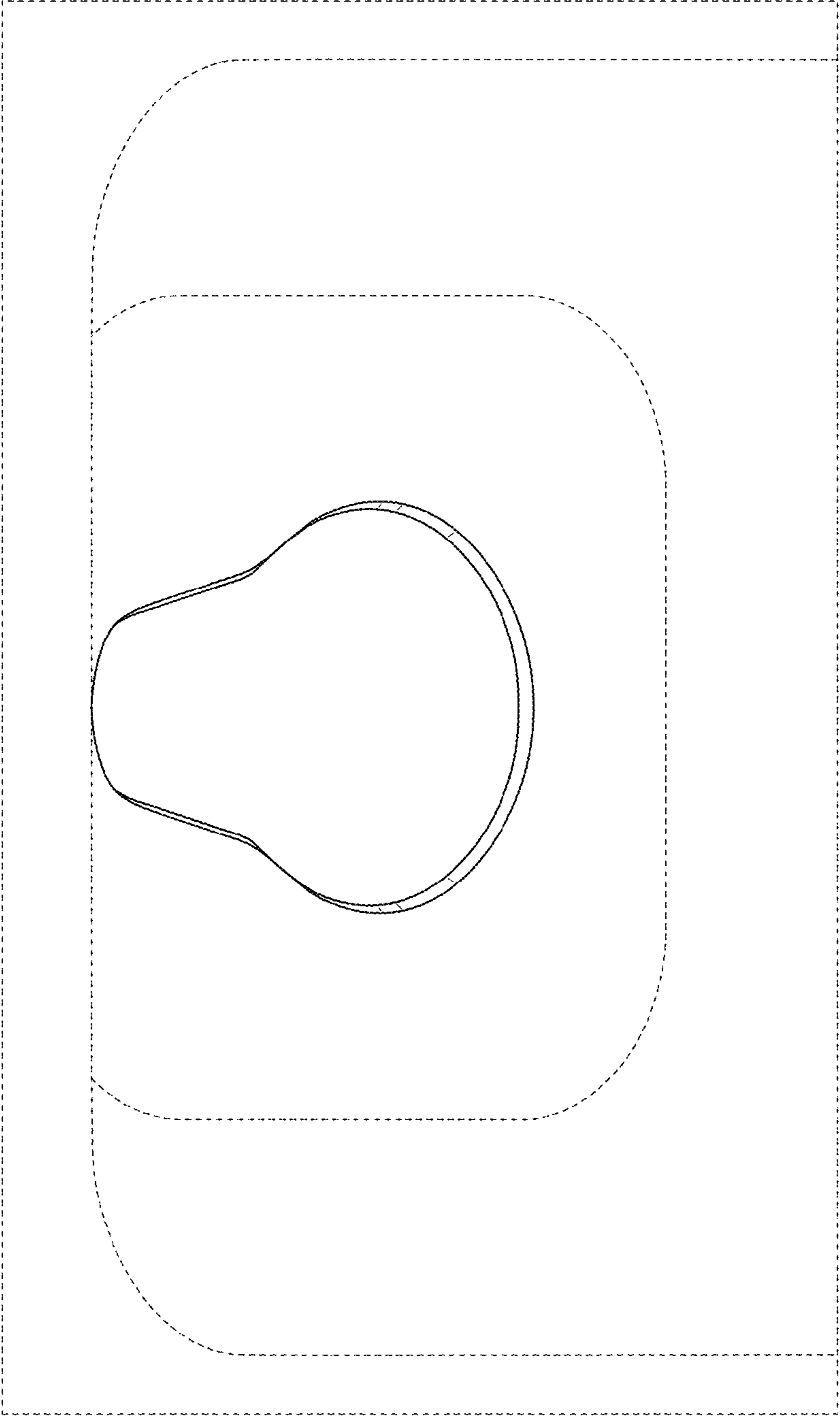


FIG.11

