



US00D733043S

(12) **United States Design Patent**
Hasbrook et al.

(10) **Patent No.:** **US D733,043 S**
(45) **Date of Patent:** **** *Jun. 30, 2015**

- (54) **BATTERY PACK**
- (71) Applicant: **MOPHIE, INC.**, Tustin, CA (US)
- (72) Inventors: **William Benjamin Hasbrook**, Tualatin, OR (US); **Brian Kim**, Irvine, CA (US)
- (73) Assignee: **Mophie, Inc.**, Tustin, CA (US)
- (*) Notice: This patent is subject to a terminal disclaimer.
- (**) Term: **14 Years**

5,001,772 A	3/1991	Holcomb et al.
5,368,159 A	11/1994	Doria
5,508,123 A	4/1996	Fan
D372,896 S	8/1996	Nagele et al.
5,586,002 A	12/1996	Notarianni
5,604,050 A	2/1997	Brunette et al.
5,610,979 A	3/1997	Yu
5,648,712 A	7/1997	Hahn
5,708,707 A	1/1998	Halttunen et al.
5,711,013 A	1/1998	Collett et al.
D392,248 S	3/1998	Johansson
D392,939 S	3/1998	Finke-Anlauff
5,786,106 A	7/1998	Armani
D400,495 S	11/1998	Deslyper et al.

(Continued)

- (21) Appl. No.: **29/475,951**
- (22) Filed: **Dec. 9, 2013**
- (51) **LOC (10) Cl.** **13-02**
- (52) **U.S. Cl.**
USPC **D13/103**; D13/108
- (58) **Field of Classification Search**
USPC D13/102-110, 118-119, 184, 199;
D14/356, 432; 320/103, 107-115, 135,
320/138, 140; 429/96-100, 156, 163, 176,
429/122
CPC Y02E 60/12; Y02E 60/122; Y02E 60/124;
Y02E 60/50; H01M 2/02; H01M 2/022;
H01M 2/0202; H01M 2/0207; H01M 2/0212;
H01M 2/1061; H01M 2/1022; H01M 2/1055;
H01M 2/1066; H01M 2/105; H01M 2/204;
H01M 10/4257; H01M 10/0436; H01M 10/44;
H01M 10/46; H01M 10/48; H01M 2200/30;
H02J 7/00; H02J 7/02; H02J 7/04; H02J
7/0027; H02J 7/0054; H02J 7/0055; H02J
2007/0062
See application file for complete search history.

- (56) **References Cited**
U.S. PATENT DOCUMENTS
D300,831 S 4/1989 Jenkinds et al.
D303,799 S 10/1989 Fennell et al.

OTHER PUBLICATIONS

U.S. Appl. No. 29/422,897, filed May 24, 2012, Hasbrook.
(Continued)

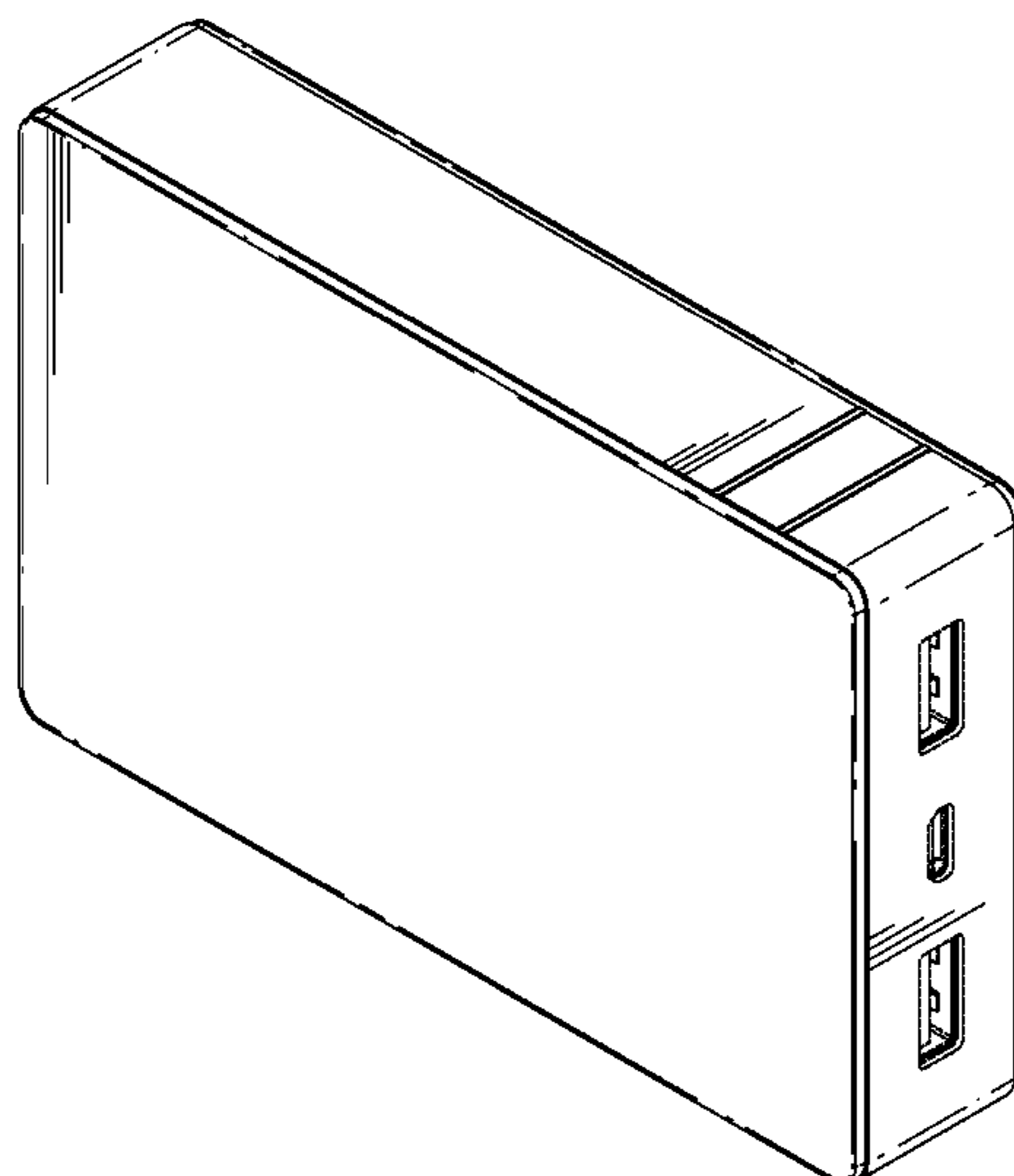
Primary Examiner — Rosemary K Tarcza
(74) *Attorney, Agent, or Firm* — Knobbe, Martens, Olson & Bear, LLP

(57) **CLAIM**
The ornamental design for a battery pack, as shown and described.

DESCRIPTION

FIG. 1 is a top-front perspective view of the design for a battery pack;
FIG. 2 is a bottom-rear perspective view thereof;
FIG. 3 is a left-side view thereof;
FIG. 4 is a right-side view thereof;
FIG. 5 is a rear view thereof;
FIG. 6 is a front view thereof;
FIG. 7 is a top view thereof; and,
FIG. 8 is a bottom view thereof.
The broken lines shown in the drawings are included for the purpose of illustrating environmental structure and form no part of the claimed design.

1 Claim, 6 Drawing Sheets



(56)

References Cited

U.S. PATENT DOCUMENTS

5,864,766 A	1/1999	Chiang	
5,973,477 A	10/1999	Chang	
6,043,626 A	3/2000	Snyder et al.	
D427,193 S *	6/2000	Fedele	D14/348
D436,596 S	1/2001	Ito et al.	
6,171,138 B1	1/2001	Le Febvre et al.	
6,184,654 B1	2/2001	Bachner, III et al.	
6,208,115 B1	3/2001	Binder	
6,317,313 B1	11/2001	Mosgrove et al.	
6,324,380 B1	11/2001	Kiuchi et al.	
D460,411 S	7/2002	Wang	
6,538,413 B1	3/2003	Beard et al.	
6,555,990 B1	4/2003	Yang	
6,614,722 B2	9/2003	Polany et al.	
D487,458 S	3/2004	Gentil et al.	
D496,029 S	9/2004	Skulley et al.	
D503,679 S	4/2005	Andre et al.	
D513,617 S	1/2006	Tierney	
6,992,461 B2	1/2006	Liang et al.	
D515,500 S	2/2006	Khasminsky	
D518,477 S	4/2006	Chen	
D520,502 S *	5/2006	Xu et al.	D14/356
D525,616 S	7/2006	Andre et al.	
D529,495 S	10/2006	Kent et al.	
7,166,987 B2	1/2007	Lee et al.	
D547,056 S	7/2007	Griffin et al.	
D547,057 S	7/2007	Griffin et al.	
D551,216 S	9/2007	Wei	
D556,681 S	12/2007	Kim	
D558,972 S	1/2008	Oh	
D558,973 S	1/2008	Hussaini et al.	
D560,231 S	1/2008	Lee	
D561,092 S	2/2008	Kim	
7,336,973 B2	2/2008	Goldthwaite et al.	
D565,571 S *	4/2008	Trifilio et al.	D14/434
D568,312 S	5/2008	Wang et al.	
D569,629 S	5/2008	Yu et al.	
D570,772 S	6/2008	Mahaffey et al.	
D572,250 S	7/2008	Yang	
7,400,917 B2	7/2008	Wood et al.	
D575,056 S	8/2008	Tan	
D575,729 S	8/2008	Nomi et al.	
7,428,427 B2	9/2008	Brunstrom et al.	
D579,902 S	11/2008	Kim et al.	
D581,151 S	11/2008	Aipa	
D582,149 S	12/2008	Tan	
D584,738 S	1/2009	Kim et al.	
7,479,759 B2	1/2009	Vilanov et al.	
D587,896 S	3/2009	Aipa	
D588,147 S	3/2009	Finlayson et al.	
D589,021 S	3/2009	Millora	
D593,940 S *	6/2009	Nomi et al.	D13/103
D594,833 S	6/2009	Park	
D598,375 S	8/2009	Nomi	
D598,414 S	8/2009	Joung et al.	
D601,583 S	10/2009	Andre et al.	
D601,955 S	10/2009	Ekmekdjje	
D601,959 S	10/2009	Lee	
D603,334 S	11/2009	Suzuki	
7,612,997 B1	11/2009	Diebel et al.	
D610,538 S	2/2010	Wu et al.	
D618,237 S	6/2010	Wang	
7,778,410 B2	8/2010	Liu et al.	
7,782,610 B2	8/2010	Diebel et al.	
D623,399 S	9/2010	McSweyen	
D624,747 S	10/2010	McSweyen	
D628,153 S	11/2010	Fujii et al.	
D628,535 S	12/2010	Cheng	
D628,572 S	12/2010	Wang	
D632,648 S	2/2011	Yang	
D633,493 S	3/2011	Akana et al.	
D633,908 S	3/2011	Akana et al.	
D634,704 S	3/2011	Tieleman et al.	
D635,961 S	4/2011	Gidden et al.	
D636,392 S	4/2011	Akana et al.	
D637,951 S	5/2011	Perez	
D637,952 S	5/2011	Tan	
D639,731 S	6/2011	Sun	
D642,516 S	8/2011	Ueda et al.	
D643,427 S	8/2011	McGoldrick et al.	
D645,049 S	9/2011	Faranda et al.	
D645,050 S	9/2011	Faranda et al.	
D647,908 S	11/2011	Chen et al.	
D648,270 S *	11/2011	Jiang	D13/103
D649,932 S	12/2011	Symons	
D652,379 S	1/2012	Vandiver	
D653,207 S	1/2012	Vandiver	
D654,852 S	2/2012	Hansen	
D654,854 S	2/2012	Inskeep	
D656,096 S	3/2012	Sasada et al.	
D659,094 S	5/2012	Brand et al.	
D661,249 S *	6/2012	Smith et al.	D13/110
D662,050 S	6/2012	Tien	
D662,904 S	7/2012	Wu et al.	
D663,684 S	7/2012	Yang	
D663,685 S	7/2012	Yang	
D664,501 S	7/2012	Inskeep	
D664,502 S	7/2012	Inskeep	
D665,732 S	8/2012	Saito et al.	
D666,144 S	8/2012	Brand et al.	
D667,788 S	9/2012	Mai	
D671,096 S	11/2012	Song et al.	
D671,937 S	12/2012	Akana et al.	
D672,309 S	12/2012	Tien	
D672,343 S	12/2012	Akana et al.	
D674,748 S	1/2013	Ferber et al.	
D675,156 S	1/2013	Vandiver et al.	
D676,380 S *	2/2013	Sun	D13/108
D677,657 S	3/2013	Akana et al.	
D678,187 S	3/2013	Huang	
D680,063 S	4/2013	Sasada	
D682,196 S	5/2013	Leung	
D682,197 S	5/2013	Leung	
D682,777 S *	5/2013	Gupta et al.	D13/103
D684,571 S	6/2013	Akana et al.	
D685,732 S	7/2013	Miller et al.	
D686,150 S	7/2013	Lee et al.	
D686,152 S	7/2013	Lee et al.	
D686,153 S	7/2013	Qu	
D688,660 S	8/2013	Akana et al.	
D689,847 S	9/2013	To	
8,541,985 B1 *	9/2013	Wong	320/140
D690,693 S	10/2013	Akana et al.	
8,547,061 B1 *	10/2013	Wong	320/112
D693,297 S *	11/2013	Inskeep	D13/108
D693,798 S	11/2013	Chuang et al.	
D694,703 S	12/2013	Faro	
D695,214 S	12/2013	Roberts et al.	
D697,865 S *	1/2014	Saito et al.	D13/103
D699,177 S	2/2014	Higashi	
D704,135 S *	5/2014	Stewart et al.	D13/108
2001/0054148 A1	12/2001	Hoornaert et al.	
2002/0147035 A1	10/2002	Su	
2003/0096642 A1	5/2003	Bessa et al.	
2003/0218445 A1	11/2003	Behar	
2003/0228866 A1	12/2003	Pezeshki	
2004/0097256 A1	5/2004	Kujawski	
2004/0104268 A1	6/2004	Bailey	
2005/0090301 A1	4/2005	Lange et al.	
2005/0231159 A1	10/2005	Jones et al.	
2005/0247787 A1	11/2005	Von Mueller et al.	
2005/0248312 A1	11/2005	Cao et al.	
2006/0058073 A1	3/2006	Kim	
2006/0063589 A1	3/2006	Chong	
2006/0099999 A1	5/2006	Park	
2007/0152633 A1	7/2007	Lee	
2007/0167190 A1	7/2007	Moosavi et al.	
2007/0236180 A1	10/2007	Rodgers	
2007/0297149 A1	12/2007	Richardson et al.	
2008/0007214 A1	1/2008	Cheng	
2008/0053770 A1	3/2008	Tynyk	
2008/0096620 A1	4/2008	Lee et al.	
2008/0108395 A1	5/2008	Lee et al.	
2008/0123287 A1	5/2008	Rossell et al.	

(56)

References Cited

U.S. PATENT DOCUMENTS

2008/0132289	A1	6/2008	Wood et al.
2009/0051319	A1	2/2009	Fang et al.
2009/0069050	A1	3/2009	Jain et al.
2009/0073650	A1	3/2009	Huang et al.
2009/0143104	A1	6/2009	Loh et al.
2009/0144456	A1	6/2009	Gelf et al.
2009/0186264	A1	7/2009	Huang
2010/0026589	A1	2/2010	Dou et al.
2010/0064883	A1	3/2010	Gynes
2010/0117597	A1	5/2010	Wang
2010/0190046	A1	7/2010	Chen et al.
2013/0193911	A1	8/2013	Miller et al.
2014/0042969	A1	2/2014	Miller et al.

OTHER PUBLICATIONS

U.S. Appl. No. 29/410,505, filed Jan. 9, 2012, To.
 U.S. Appl. No. 29/422,891, filed May 24, 2012, Hasbrook.
 U.S. Appl. No. 29/410,518, filed Jan. 9, 2012, To.
 U.S. Appl. No. 29/464,271, filed Aug. 14, 2013, To.
 U.S. Appl. No. 29/478,253, filed Jan. 2, 2014, Namminga.
 U.S. Appl. No. 29/478,243, filed Jan. 2, 2014, Kim.

U.S. Appl. No. 29/501,885, filed Sep. 9, 2014.

Jeremy Horwitz, "Kensington Mini Battery Pack and Charger for iPhone and iPod," dated May 16, 2008, <http://www.ilounge.com/index.php/reviews/entry/kensington-mini-battery-pack-and-charger-for-iphone-and-ipod/>.

Kensington Mini Battery Pack and Charger for iPhone and iPod, dated Sep. 30, 2008, 1 page.

Sven Rafferty, "Mybat External Battery for iPhone and iPod," dated May 18, 2008, <http://svenontech.com/reviews/?p=74>.

Dave Rees, "Richard Solo Backup Battery for iPhone / iPod Review," dated Jun. 16, 2008, http://the-gadgeteer.com/2008/06/16/richard_solo_backup_battery_for_iphone_ipod/.

"Cheap DIY iPhone External Battery," dated Jul. 22, 2008, <http://fastdad.wordpress.com/2008/07/22/cheap-diy-iphone-external-battery/>.

Jeremy Horwitz, "iLuv i603 / i604 Rechargeable Lithium Polymer Batteries with Silicone Skin," dated Jun. 27, 2006, <http://www.ilounge.com/index.php/reviews/entry/iluv-i603-rechargeable-lithium-polymer-battery-with-silicone-skin/>.

Devin Coldewey, "Combination iPhone battery pack and flash from FastMac," dated Nov. 4, 2008, <http://crunchgear.com/2008/11/04/combination-iphone-battery-pack-and-flash-from-fastmac/>.

* cited by examiner

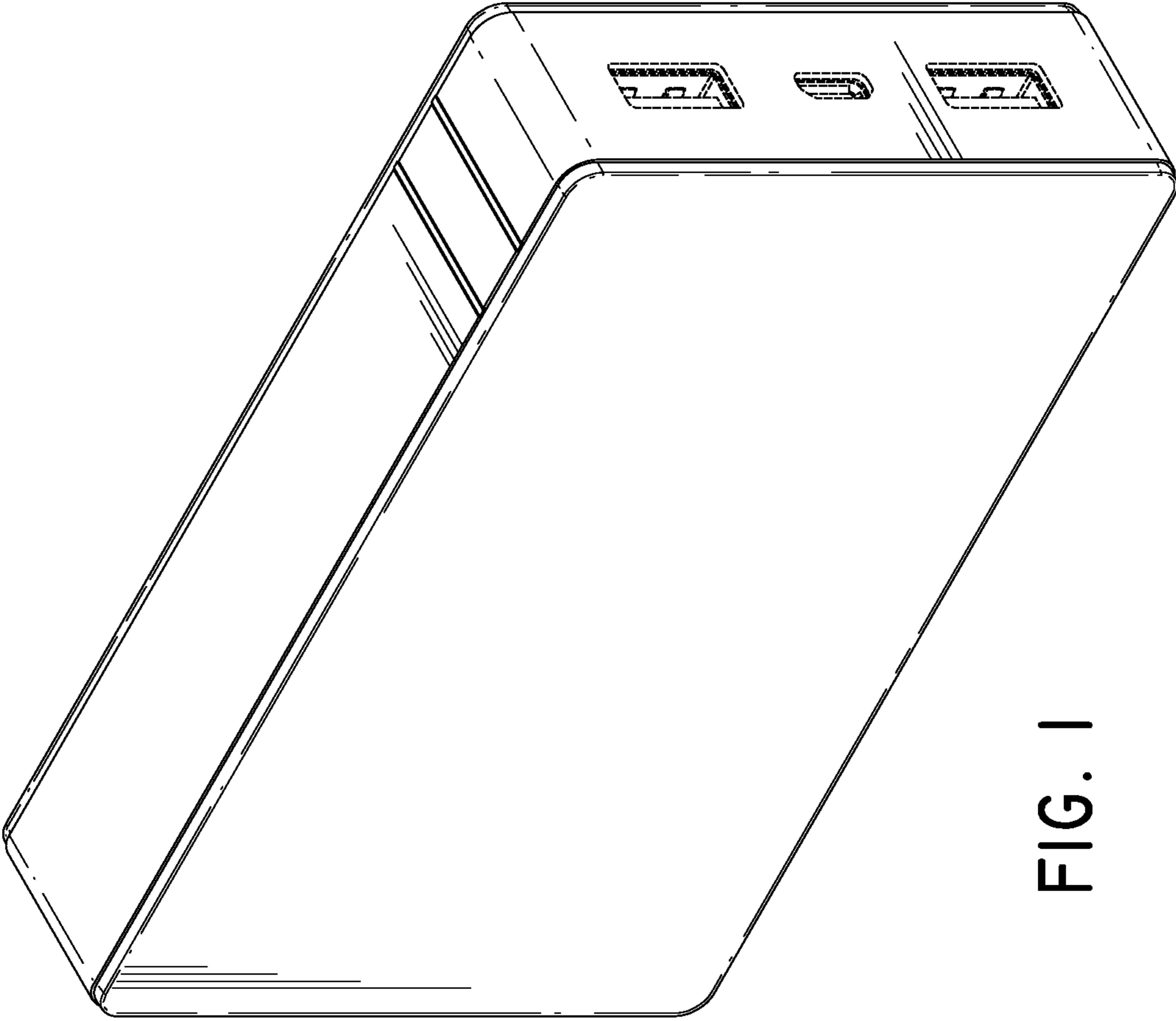


FIG. 1

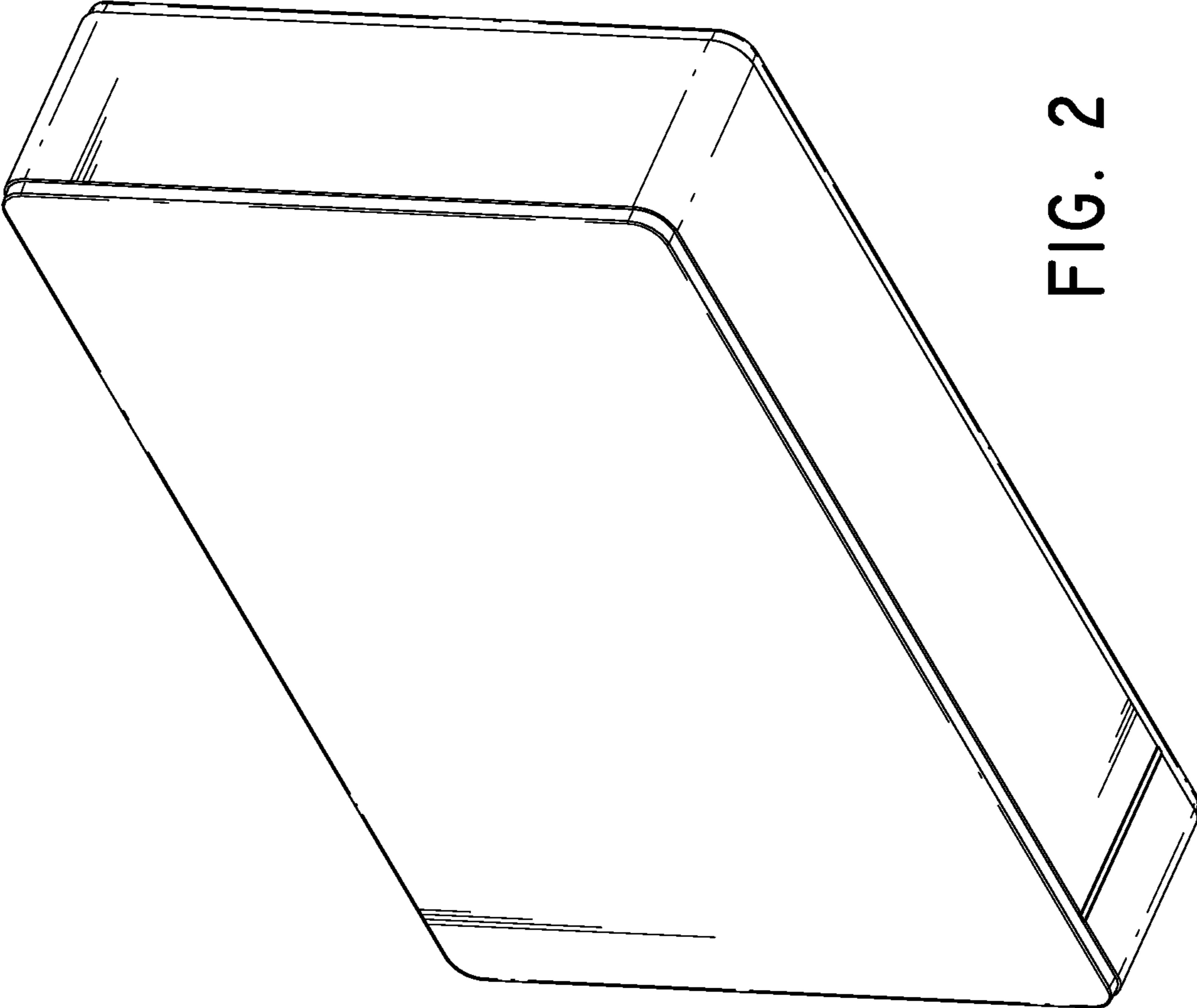


FIG. 2

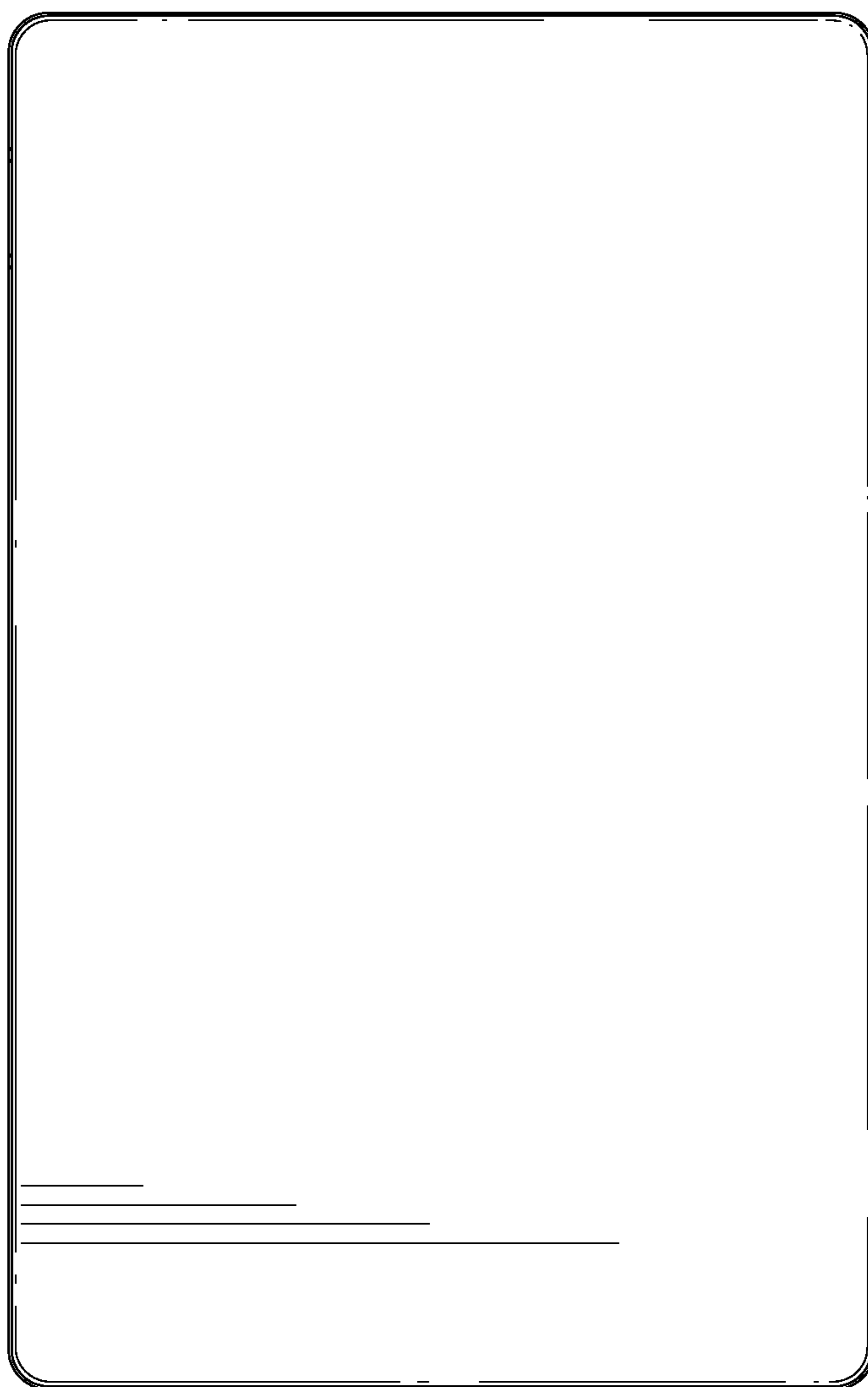


FIG. 3

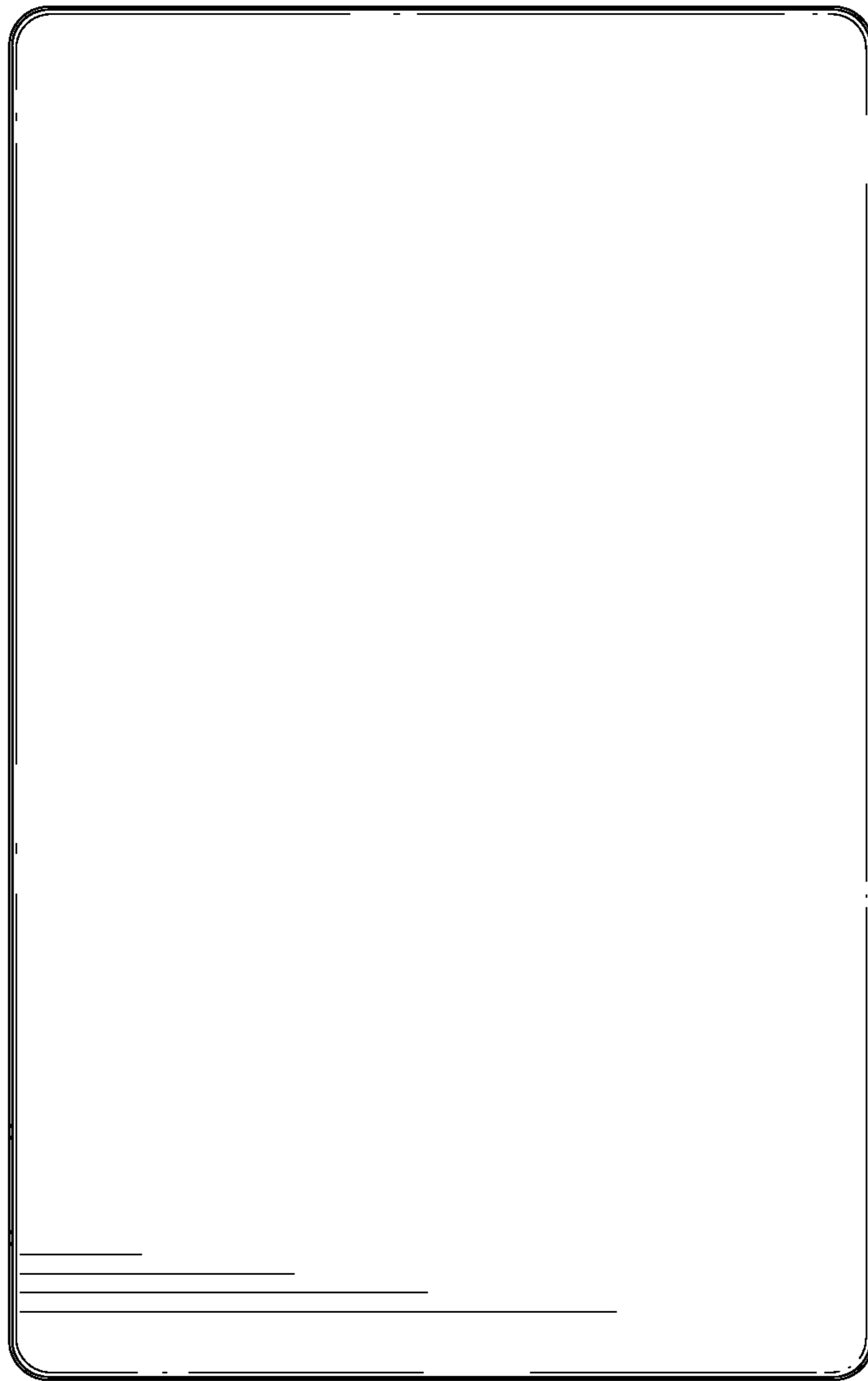


FIG. 4

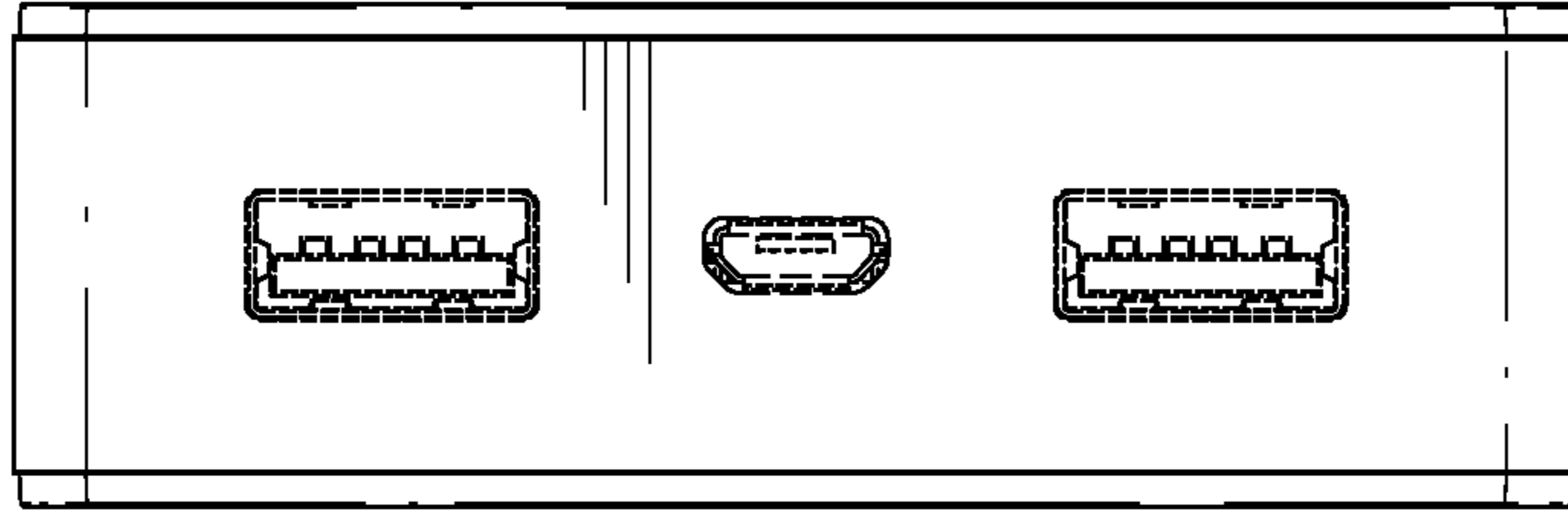


FIG. 6

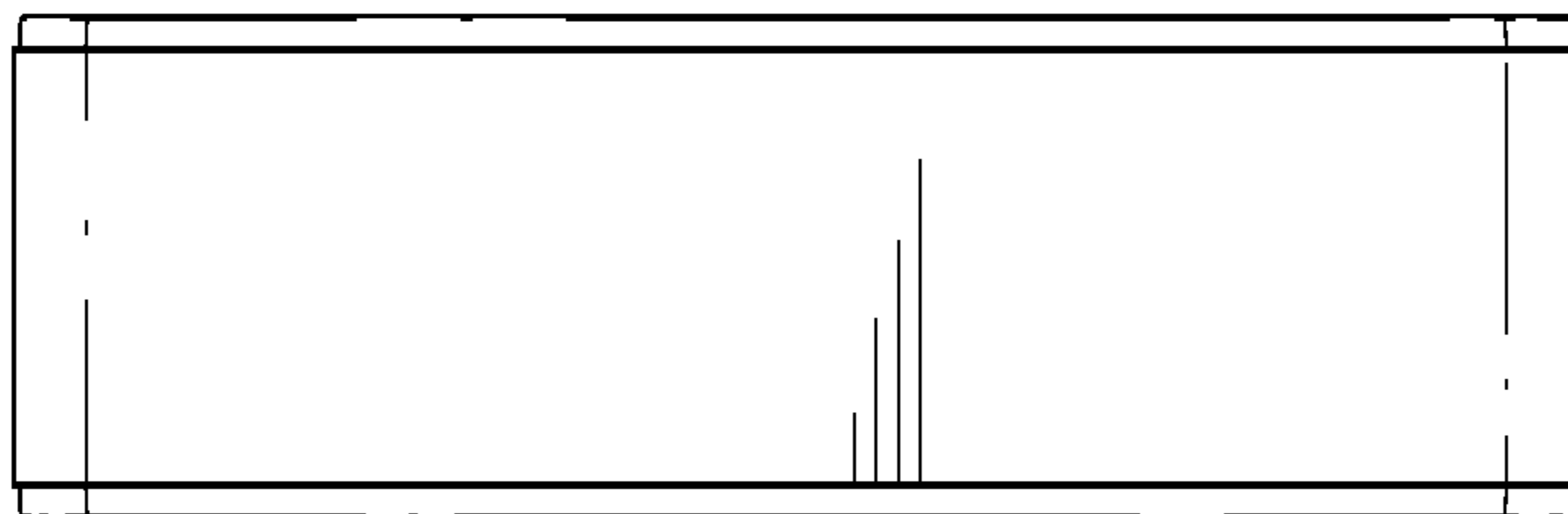


FIG. 5

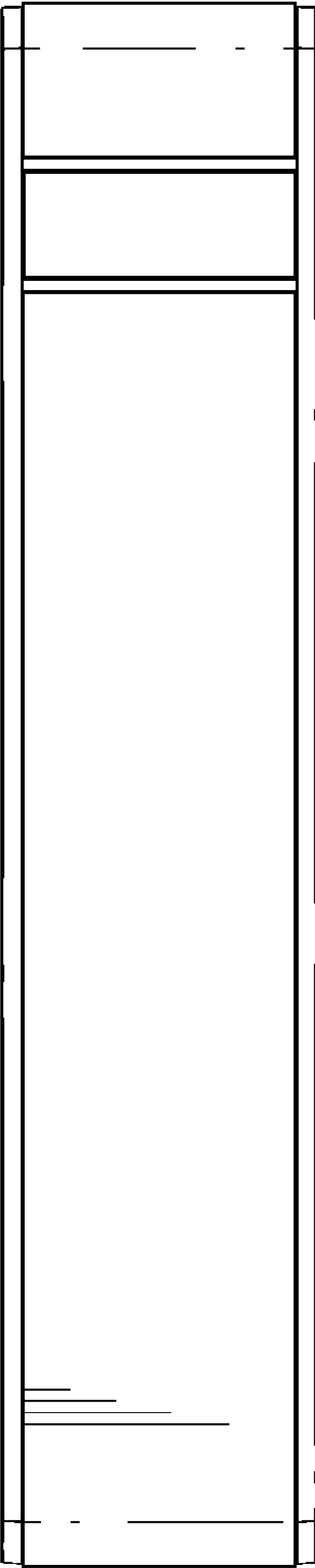


FIG. 7

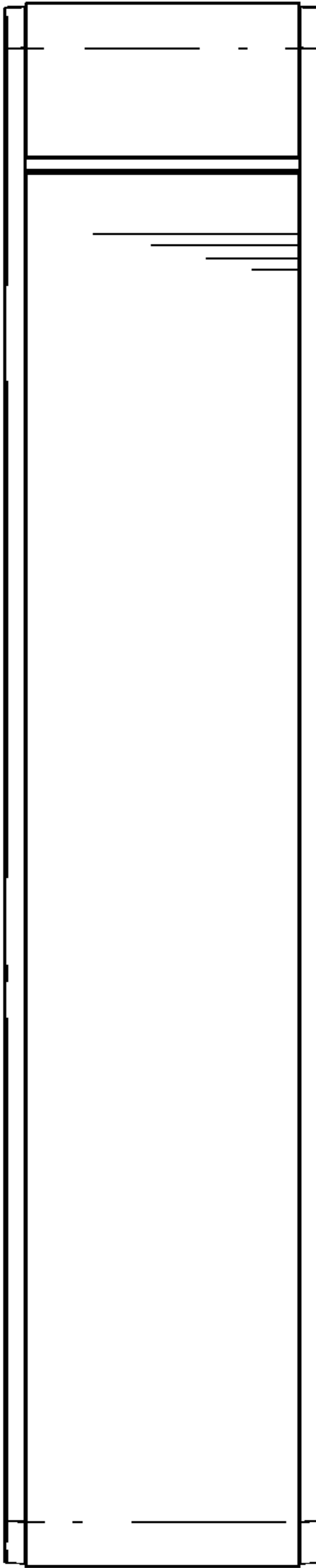


FIG. 8