



US00D733041S

(12) **United States Design Patent**
Sareen

(10) **Patent No.:** **US D733,041 S**
(45) **Date of Patent:** **** Jun. 30, 2015**

- (54) **TIRE TREAD**
- (71) Applicant: **Gajendra Singh Sareen**, Singapore (SG)
- (72) Inventor: **Gajendra Singh Sareen**, Singapore (SG)
- (73) Assignee: **OMNI UNITED (S) PTE LTD.**, Singapore (SG)
- (**) Term: **14 Years**
- (21) Appl. No.: **29/421,954**
- (22) Filed: **Oct. 31, 2012**
- (51) **LOC (10) Cl.** **12-15**
- (52) **U.S. Cl.**
USPC **D12/601**
- (58) **Field of Classification Search**
USPC D12/504, 579, 580, 594, 595, 598, 600, D12/601, 605; 152/209.1-209.28
CPC B60C 11/03
See application file for complete search history.

- D656,889 S 4/2012 Grolier et al.
- D657,302 S 4/2012 Durand
- D661,642 S * 6/2012 Krupa et al. D12/600
- D662,456 S 6/2012 Corsi et al.
- D662,459 S 6/2012 Kojima
- D662,462 S 6/2012 Youn
- D662,463 S 6/2012 Youn
- D666,138 S 8/2012 Fontaine et al.
- D666,551 S 9/2012 Schmidt-Zum Berge et al.

* cited by examiner

Primary Examiner — Robert M Spear
(74) *Attorney, Agent, or Firm* — Thomas W. Cook

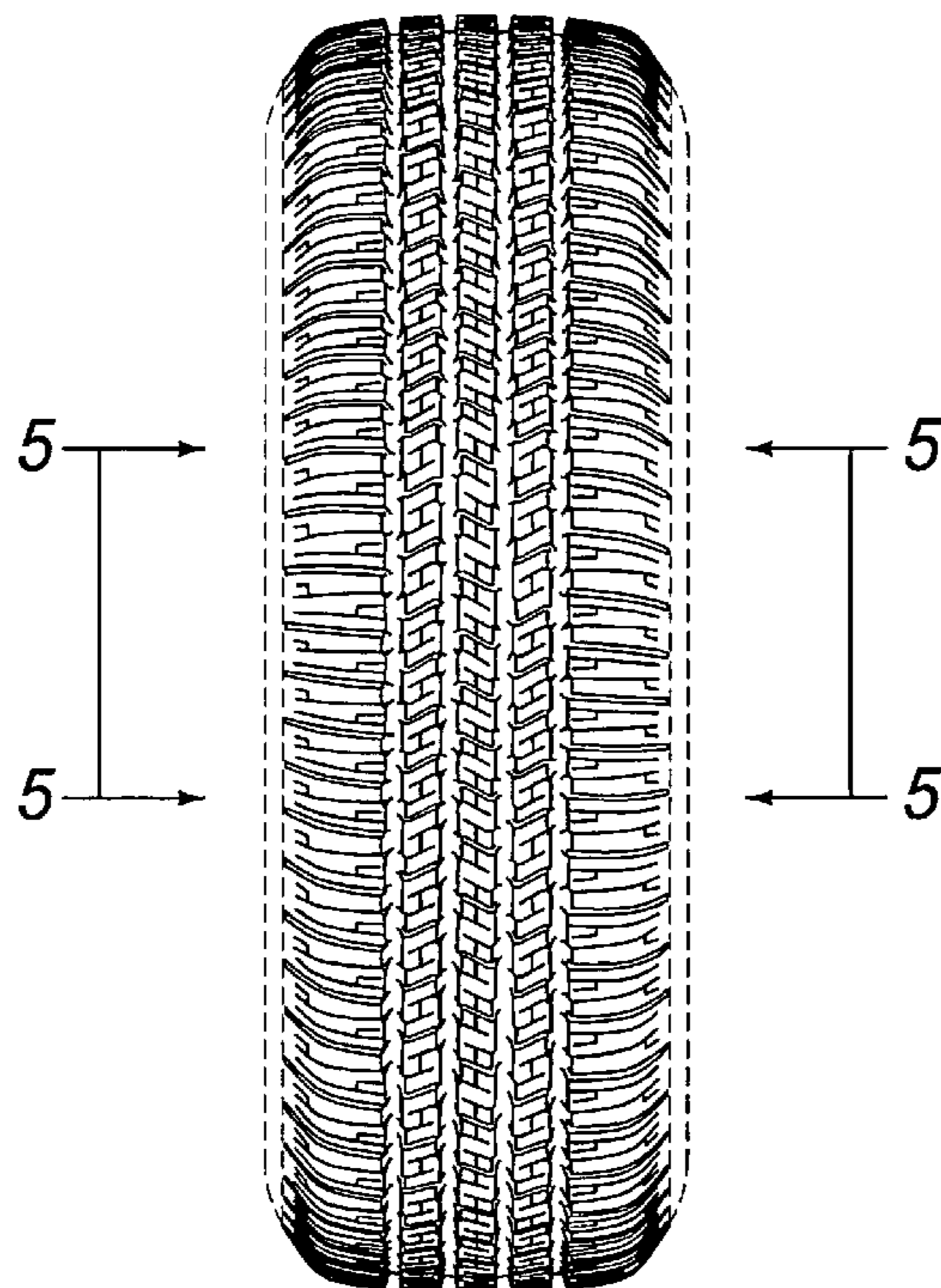
(57) **CLAIM**
I claim the ornamental design for the tire tread, as shown and described.

DESCRIPTION

FIG. 1 is a perspective view of a tire tread, showing my new design;
FIG. 2 is a front view thereof;
FIG. 3 is a side view thereof;
FIG. 4 is an enlarged perspective view of a section of the tire tread defined by lines 4-4 in FIG. 1;
FIG. 5 is an enlarged front view of the section of the tire tread defined by lines 5-5 in FIG. 2; and,
FIG. 6 is an enlarged side view of a section of the tire tread defined by lines 6-6 in FIG. 3.
The broken lines showing the tire in FIGS. 1-6 are included for the purpose of illustrating environment, and form no part of the claimed design;

1 Claim, 6 Drawing Sheets

- (56) **References Cited**
U.S. PATENT DOCUMENTS
D350,095 S * 8/1994 Anderson et al. D12/601
D375,064 S * 10/1996 McKisson D12/595
D490,050 S * 5/2004 Kindig et al. D12/601
D597,023 S * 7/2009 Park D12/594
D627,713 S 11/2010 Le et al.
D653,199 S 1/2012 Scheuren et al.



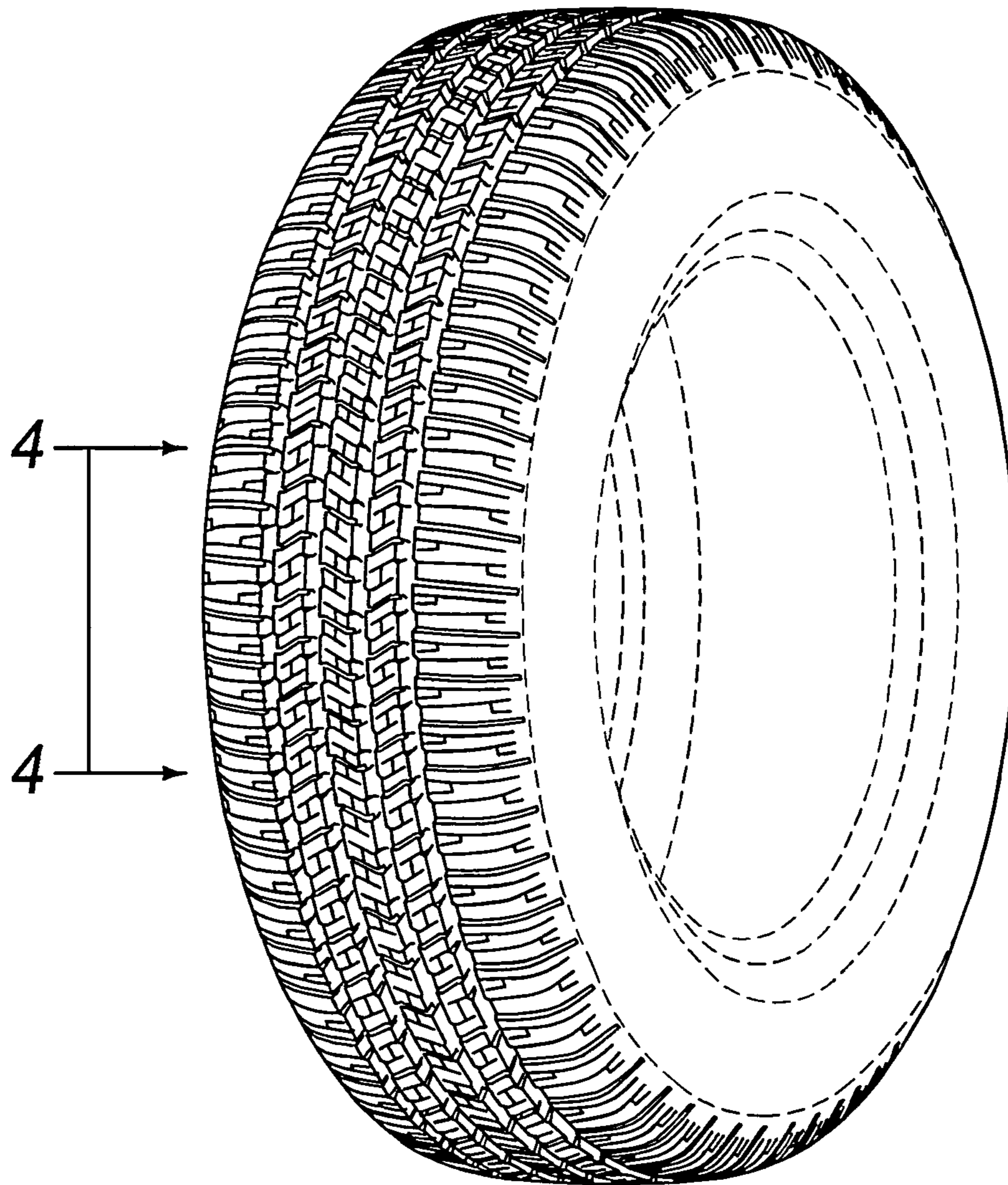


FIG. 1

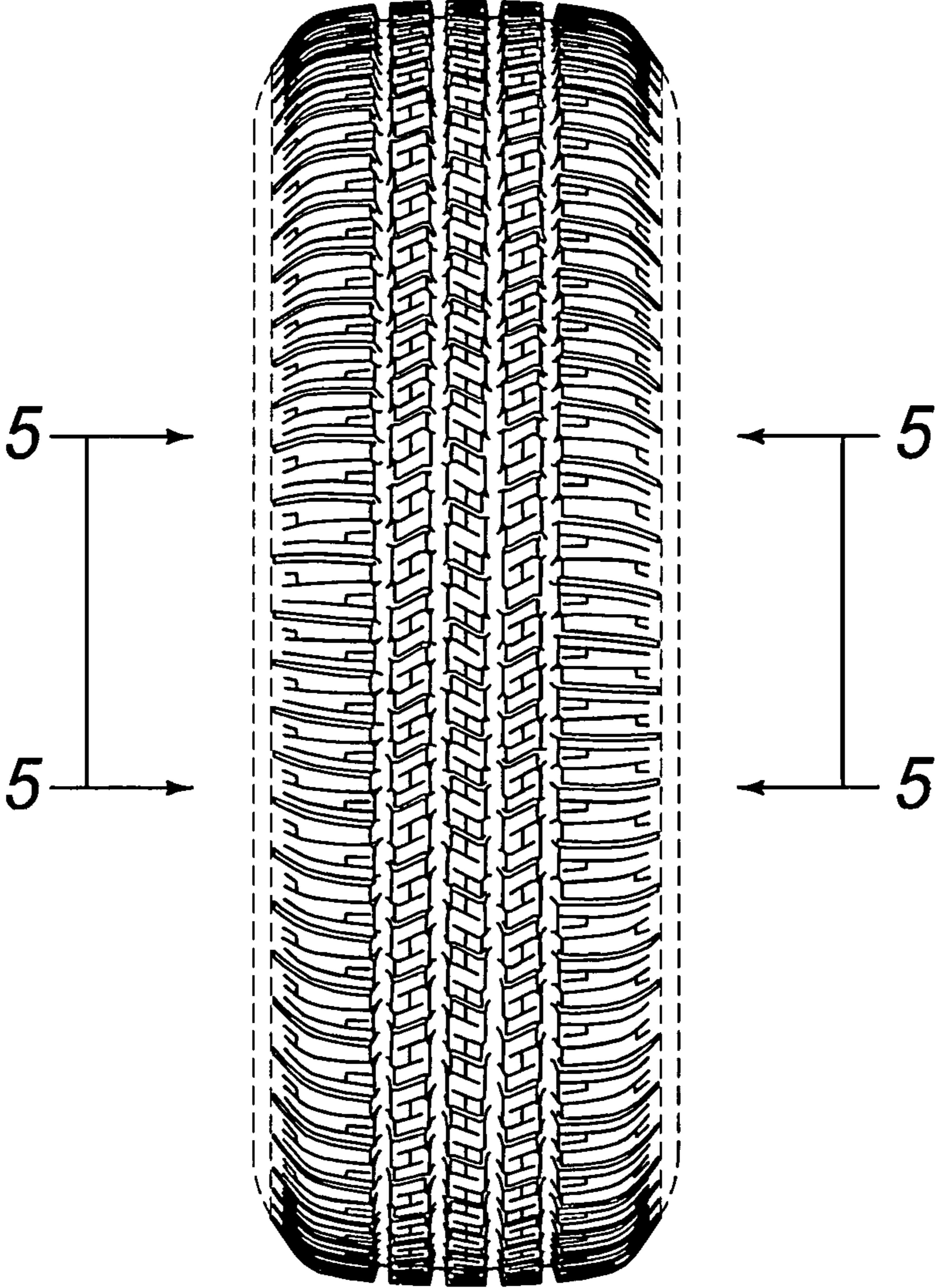


FIG. 2

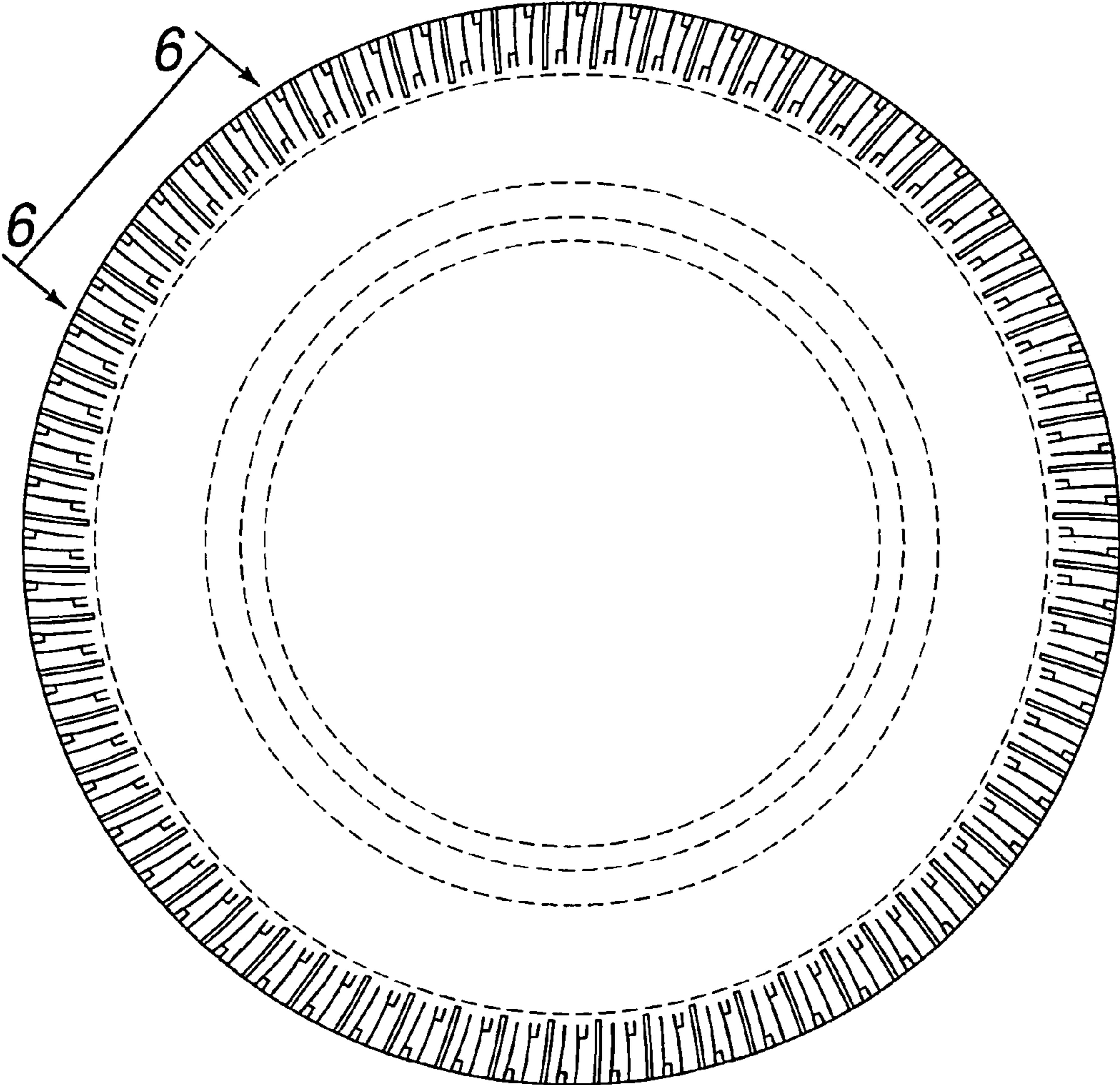


FIG. 3

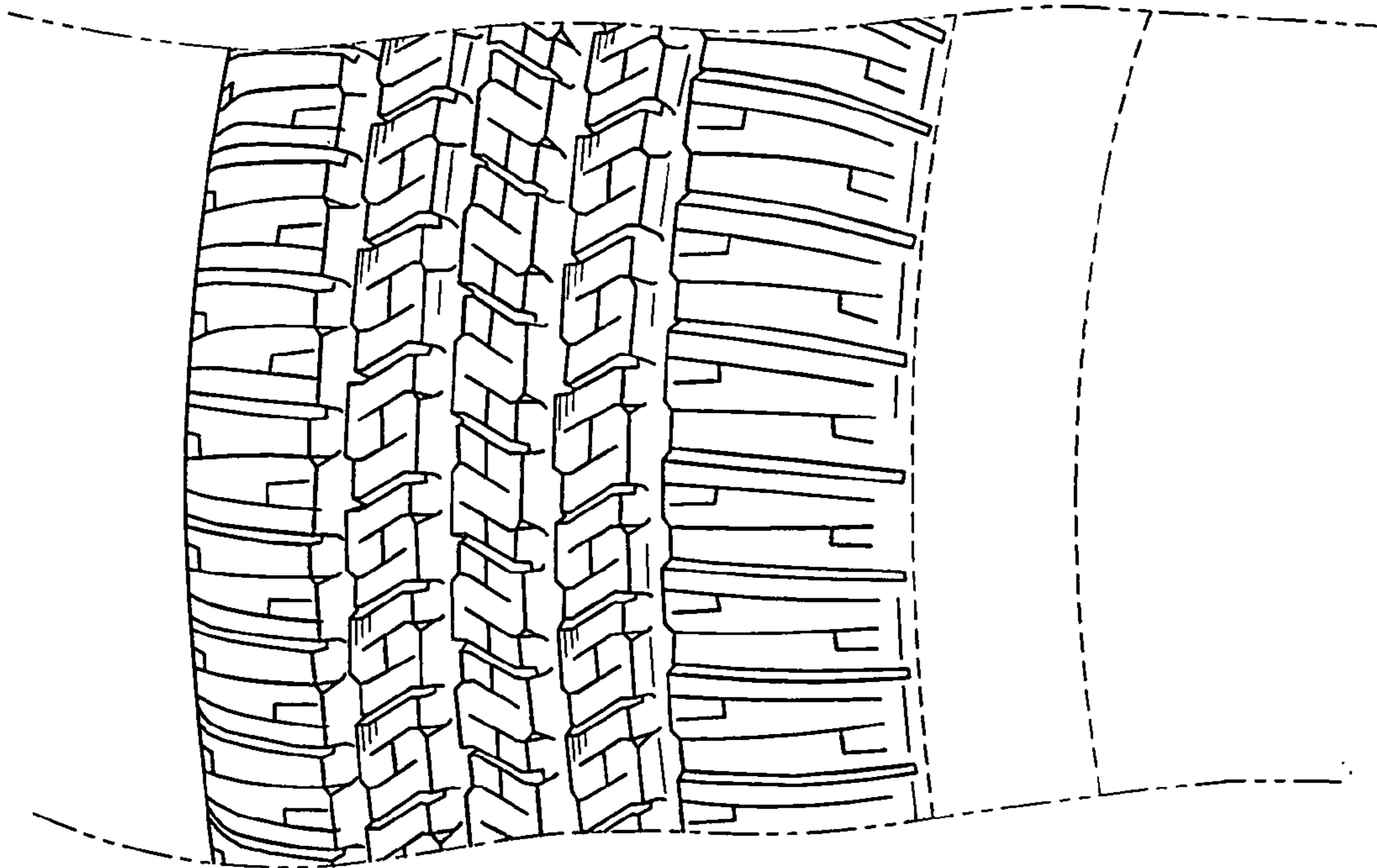


FIG. 4

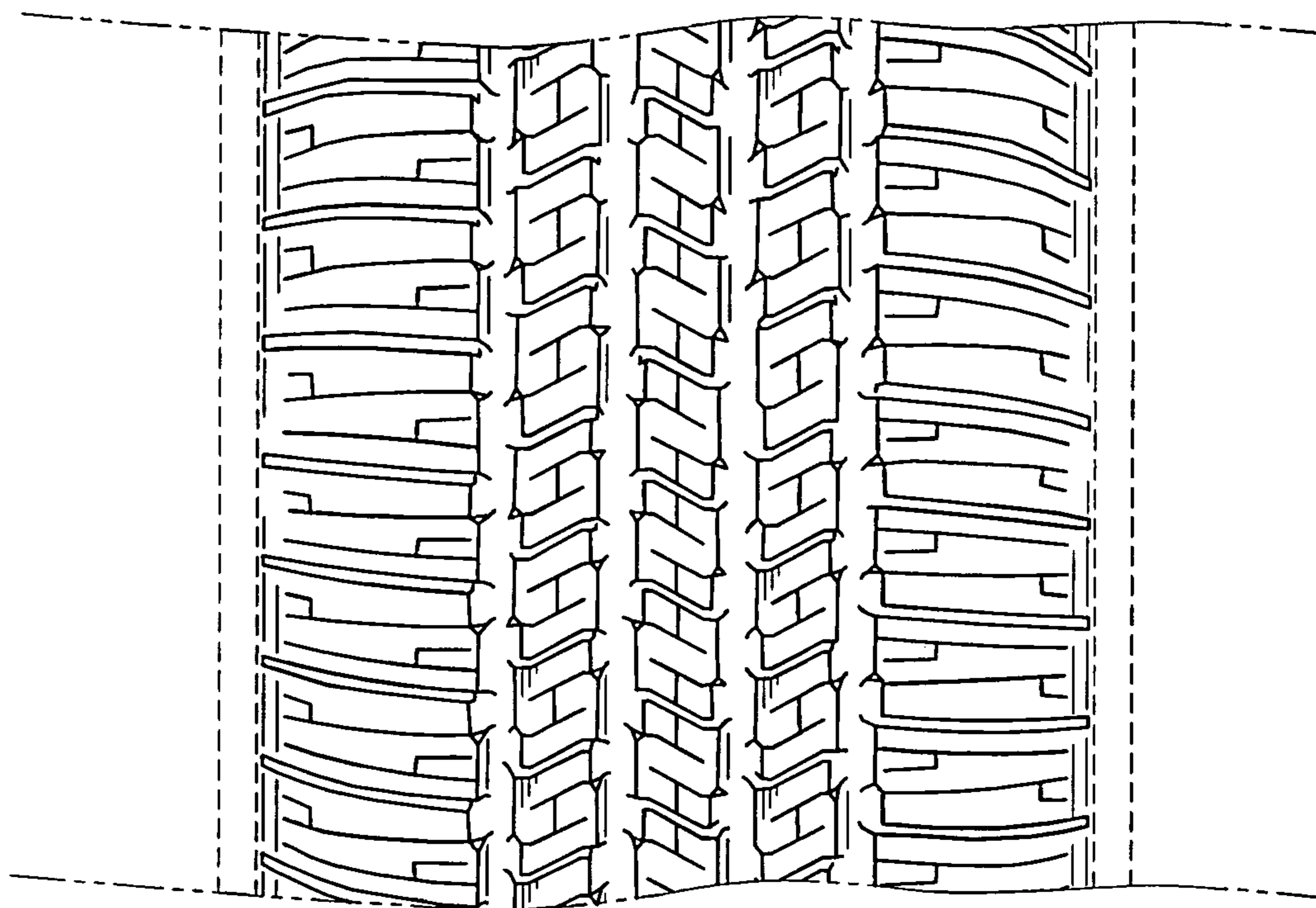


FIG. 5

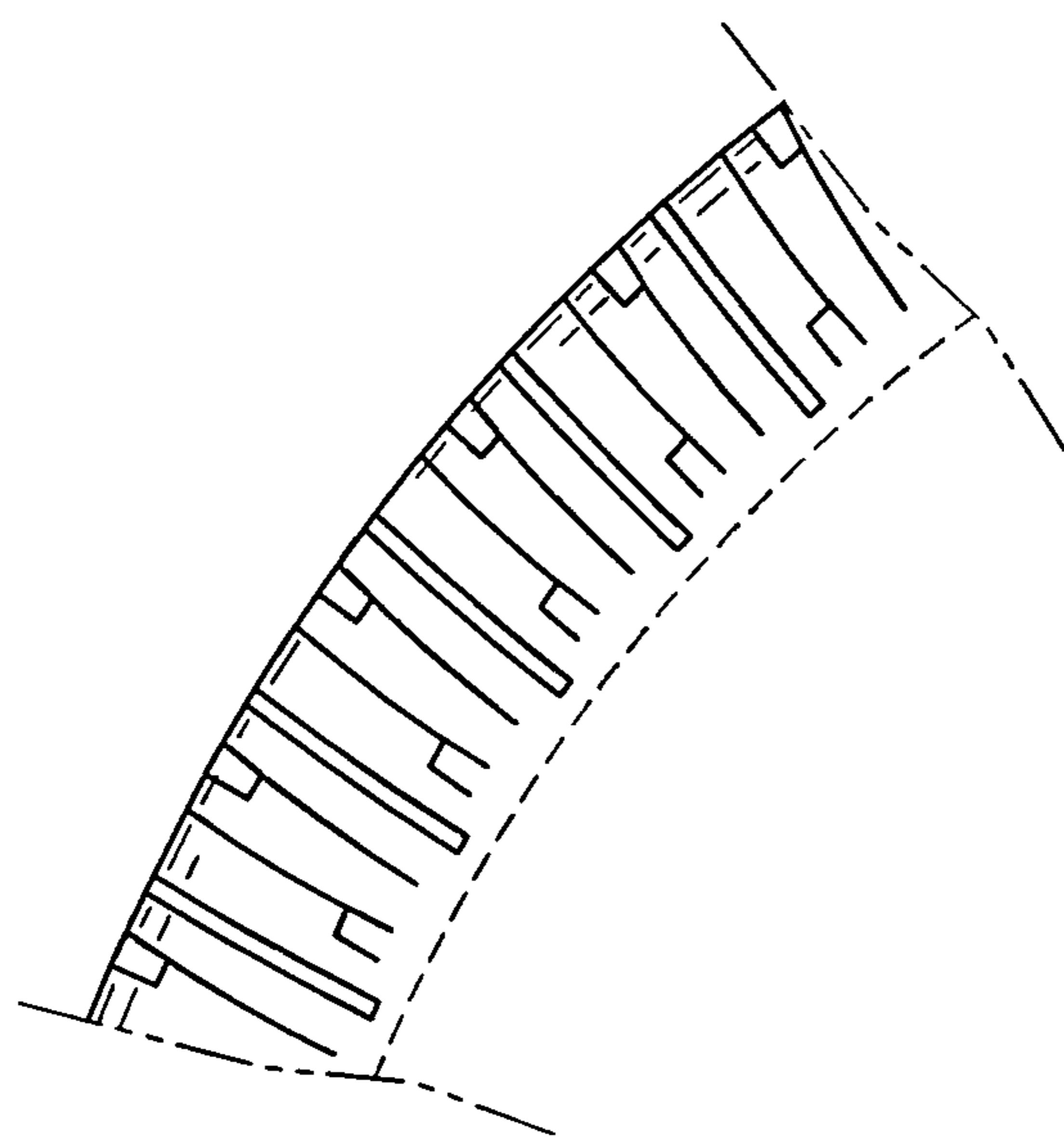


FIG. 6