

US00D733036S

(12) **United States Design Patent**
Kuwano

(10) **Patent No.:** **US D733,036 S**

(45) **Date of Patent:** **** Jun. 30, 2015**

- (54) **TIRE**
- (71) Applicant: **Toyo Tire & Rubber Co., Ltd.,**
Osaka-shi (JP)
- (72) Inventor: **Shingo Kuwano, Osaka (JP)**
- (73) Assignee: **Toyo Tire & Rubber Co., Ltd., Osaka**
(JP)

D596,556 S *	7/2009	Kuwano	D12/521
D600,192 S *	9/2009	Sato	D12/521
D610,525 S *	2/2010	Behr et al.	D12/521
D623,587 S *	9/2010	Ohashi	D12/521
D644,592 S *	9/2011	Grabo et al.	D12/519
D644,982 S *	9/2011	Lee	D12/521
D682,773 S *	5/2013	Kuwano	D12/523
D683,300 S *	5/2013	Yasunaga	D12/523

- (**) Term: **14 Years**
- (21) Appl. No.: **29/447,281**
- (22) Filed: **Mar. 1, 2013**

FOREIGN PATENT DOCUMENTS

JP	D1290763	1/2007
JP	D1308639	8/2007

* cited by examiner

Primary Examiner — Stacia Cadmus
(74) *Attorney, Agent, or Firm* — Sterne, Kessler, Goldstein & Fox P.L.L.C.

- (30) **Foreign Application Priority Data**
Dec. 20, 2012 (JP) 2012-031076
- (51) **LOC (10) Cl.** **12-15**
- (52) **U.S. Cl.**
USPC **D12/521**
- (58) **Field of Classification Search**
USPC D12/505–532
CPC B60C 11/0304; B60C 11/0302; B60C
11/0306; B60C 11/0309; B60C 11/0318;
B60C 11/0311; B60C 11/042; B60C 11/13;
B60C 11/00; B60C 11/11; B60C 11/12
See application file for complete search history.

(57) **CLAIM**
The ornamental design for a tire, as shown and described.

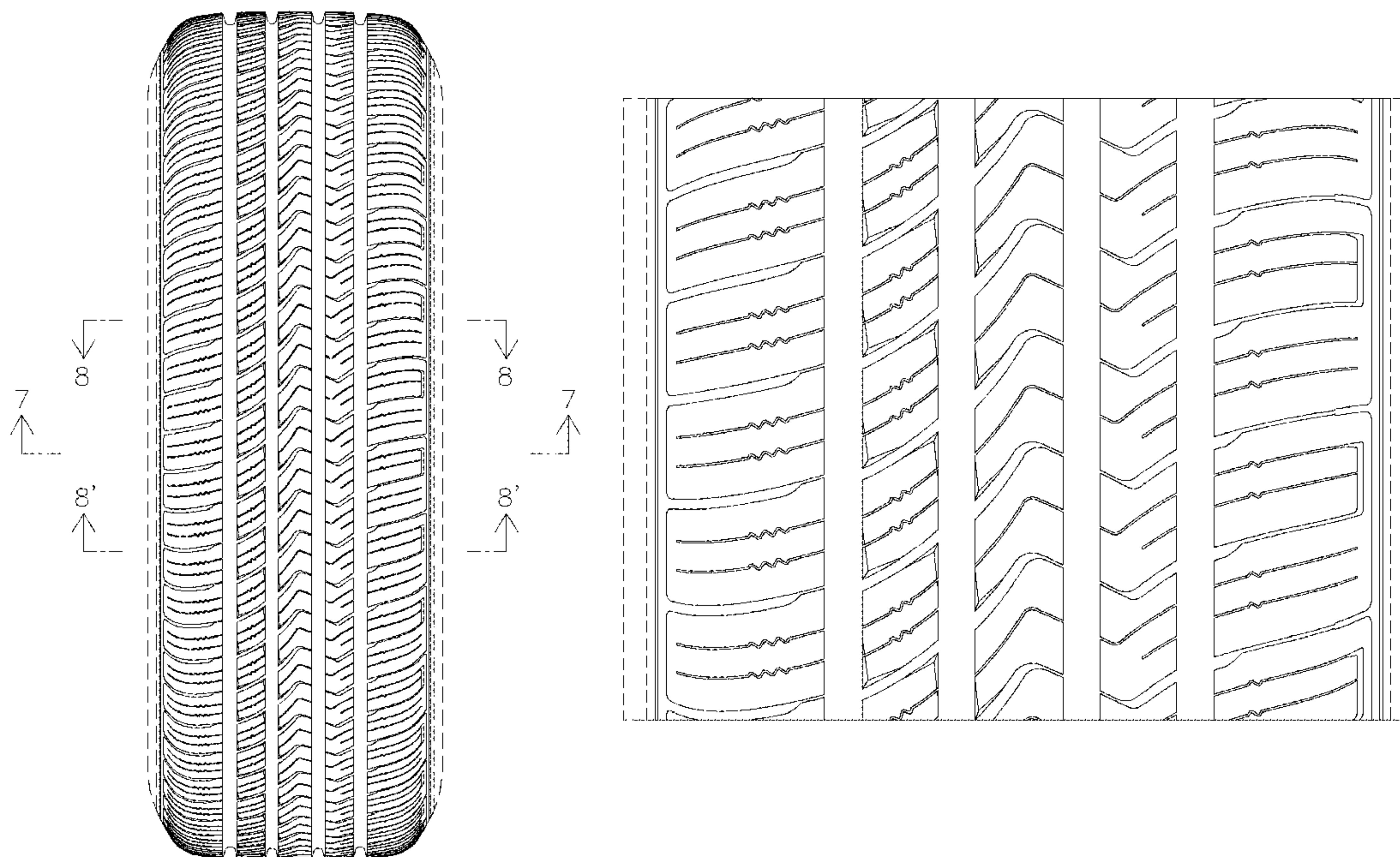
DESCRIPTION

FIG. 1 is a perspective view of a tire showing my new design;
FIG. 2 is a front view thereof;
FIG. 3 is a rear view thereof;
FIG. 4 is a top plan view thereof, for which the bottom plan view is the same;
FIG. 5 is a right side view thereof;
FIG. 6 is a left side view thereof;
FIG. 7 is an enlarged cross-sectional view taken along line 7-7 in FIG. 2 and line 7'-7' in FIG. 5; and,
FIG. 8 is an enlarged view taken along lines 8-8 and 8'-8' in FIG. 2.

In the drawings, the broken lines showing portions of the sidewall and inner bead depict portions of the tire which form no part of the claimed design.

- (56) **References Cited**
U.S. PATENT DOCUMENTS
D386,134 S * 11/1997 Cagneaux et al. D12/521
D424,484 S * 5/2000 Mulier

1 Claim, 8 Drawing Sheets



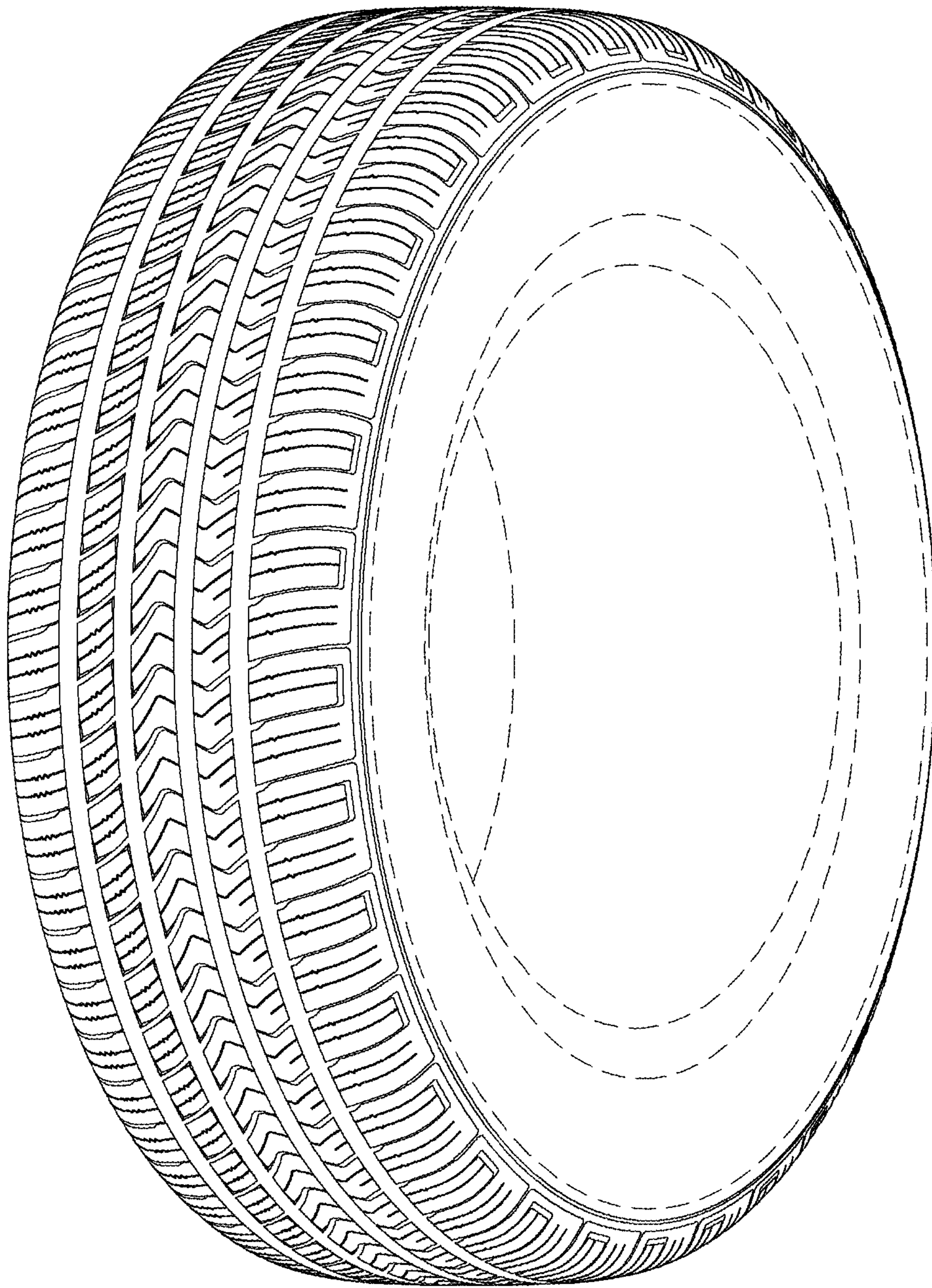


FIG. 1

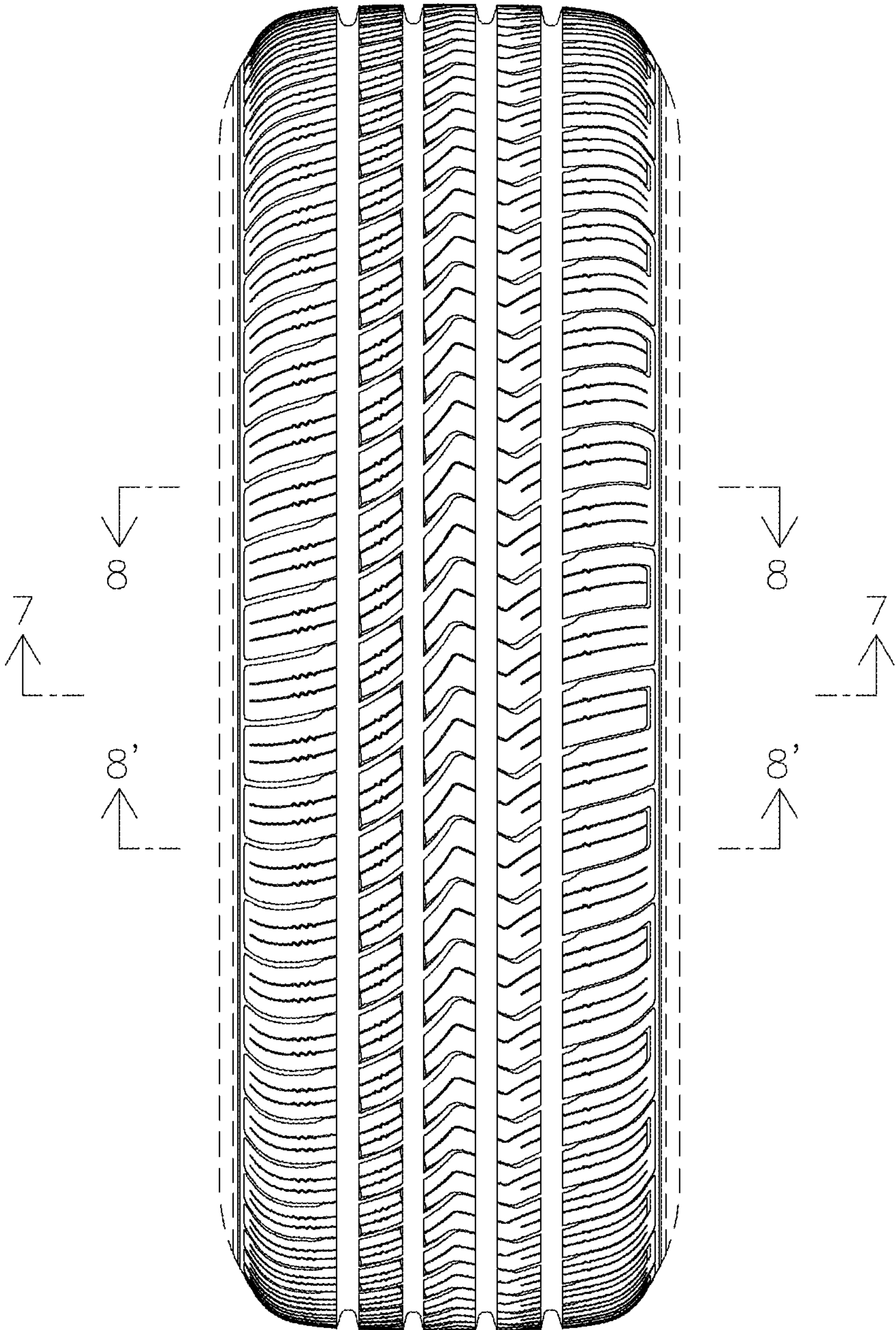


FIG. 2

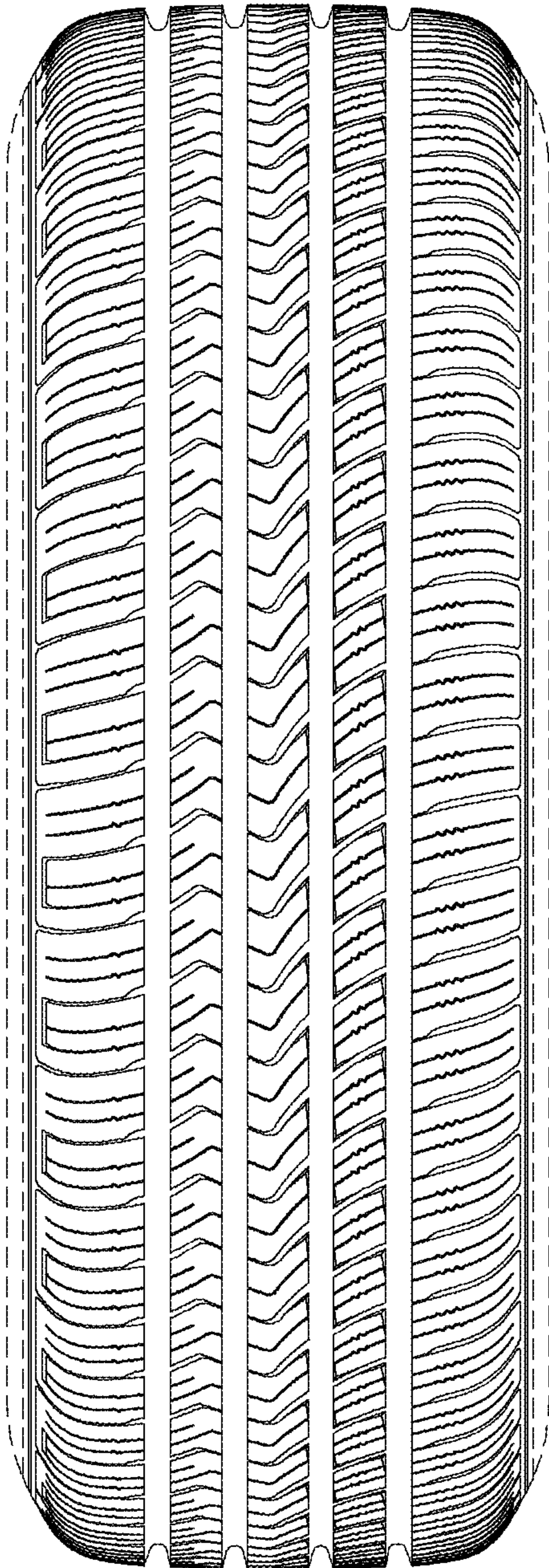


FIG. 3

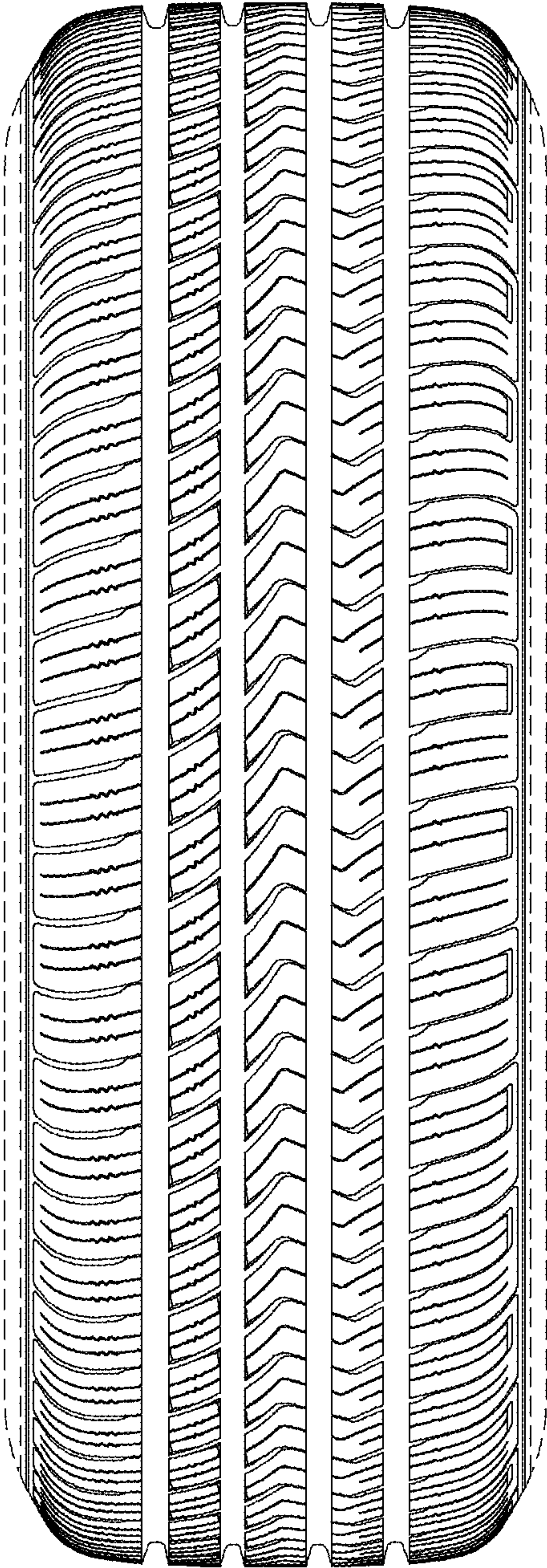


FIG. 4

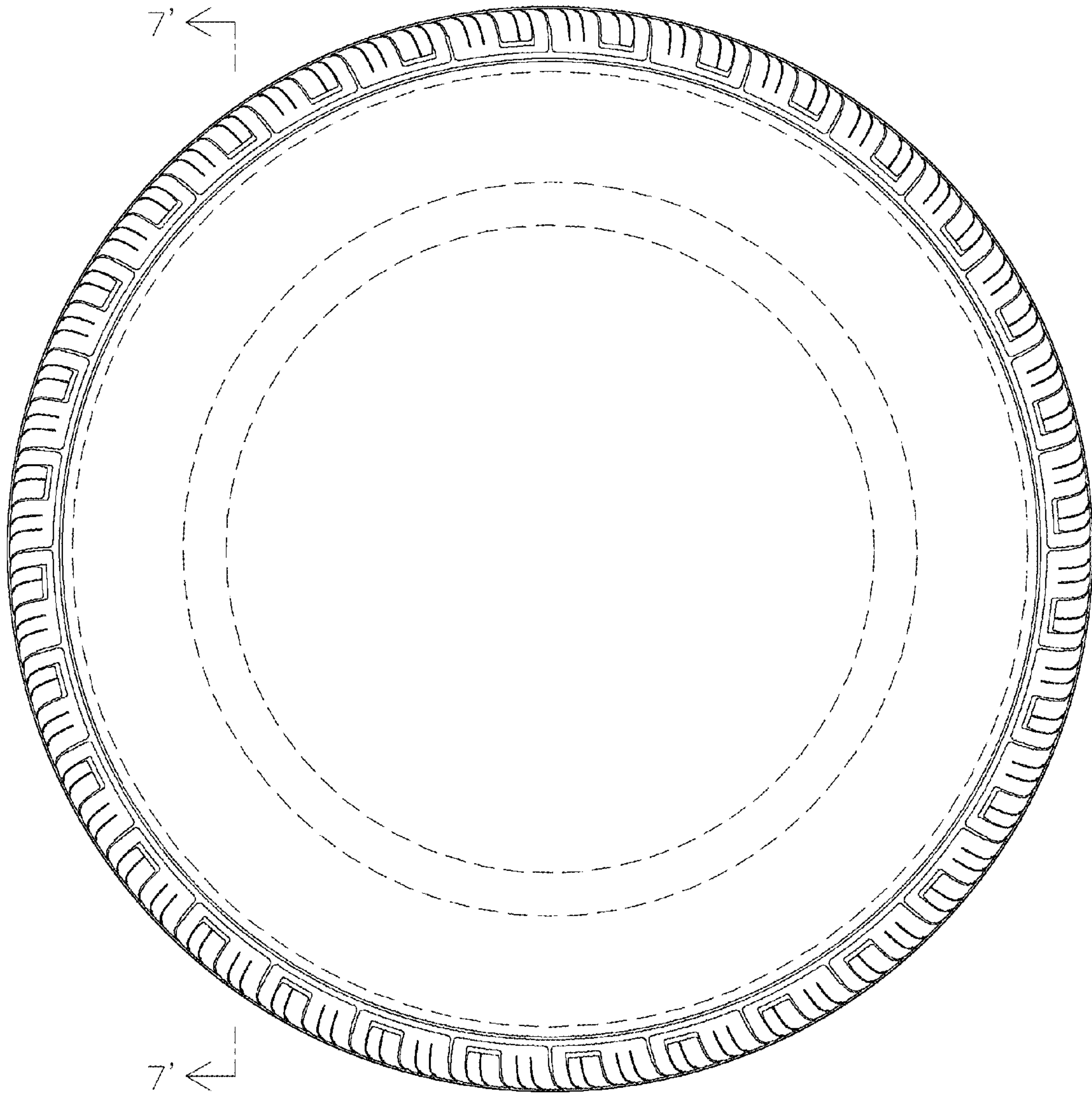


FIG. 5

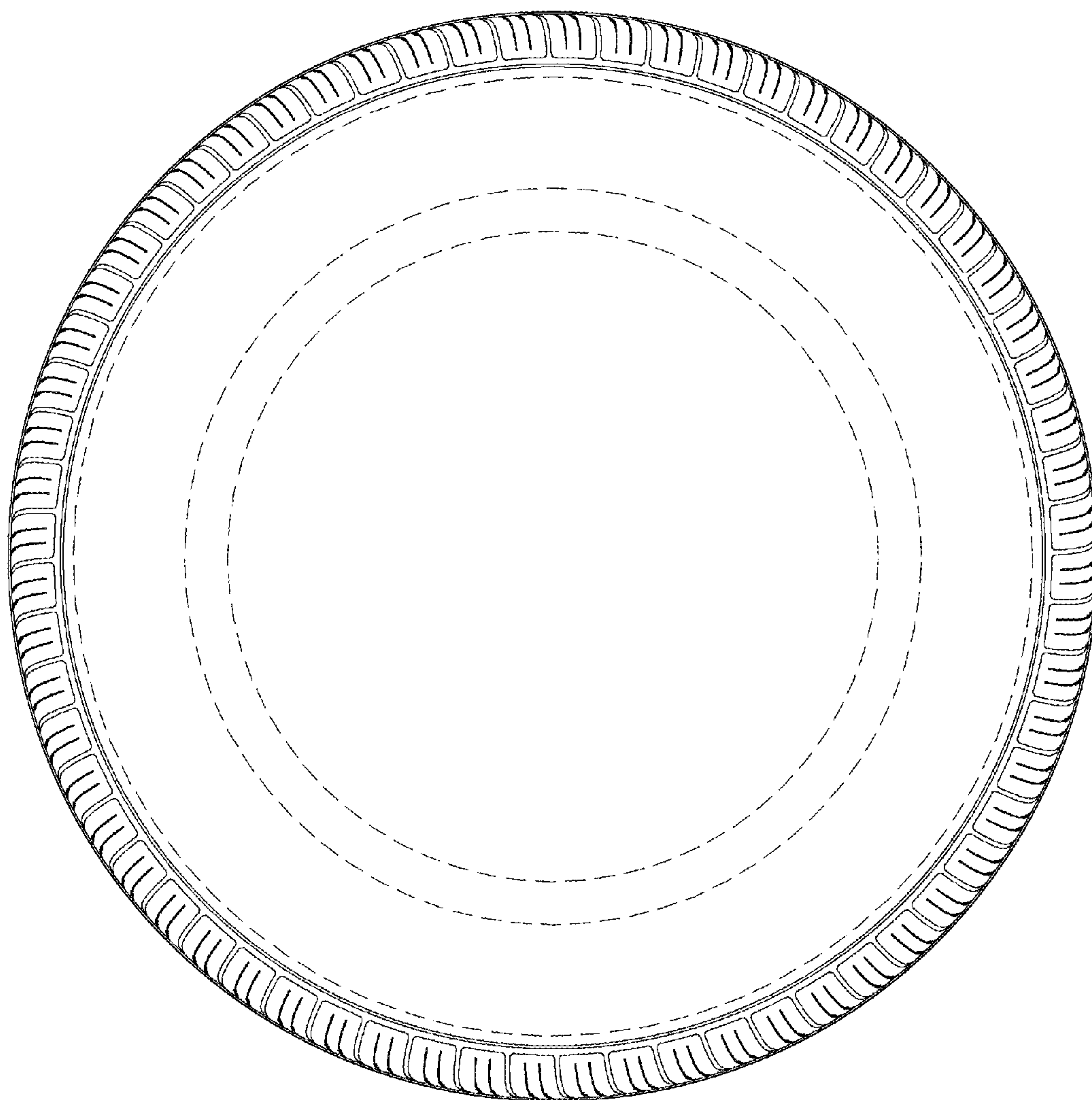


FIG. 6

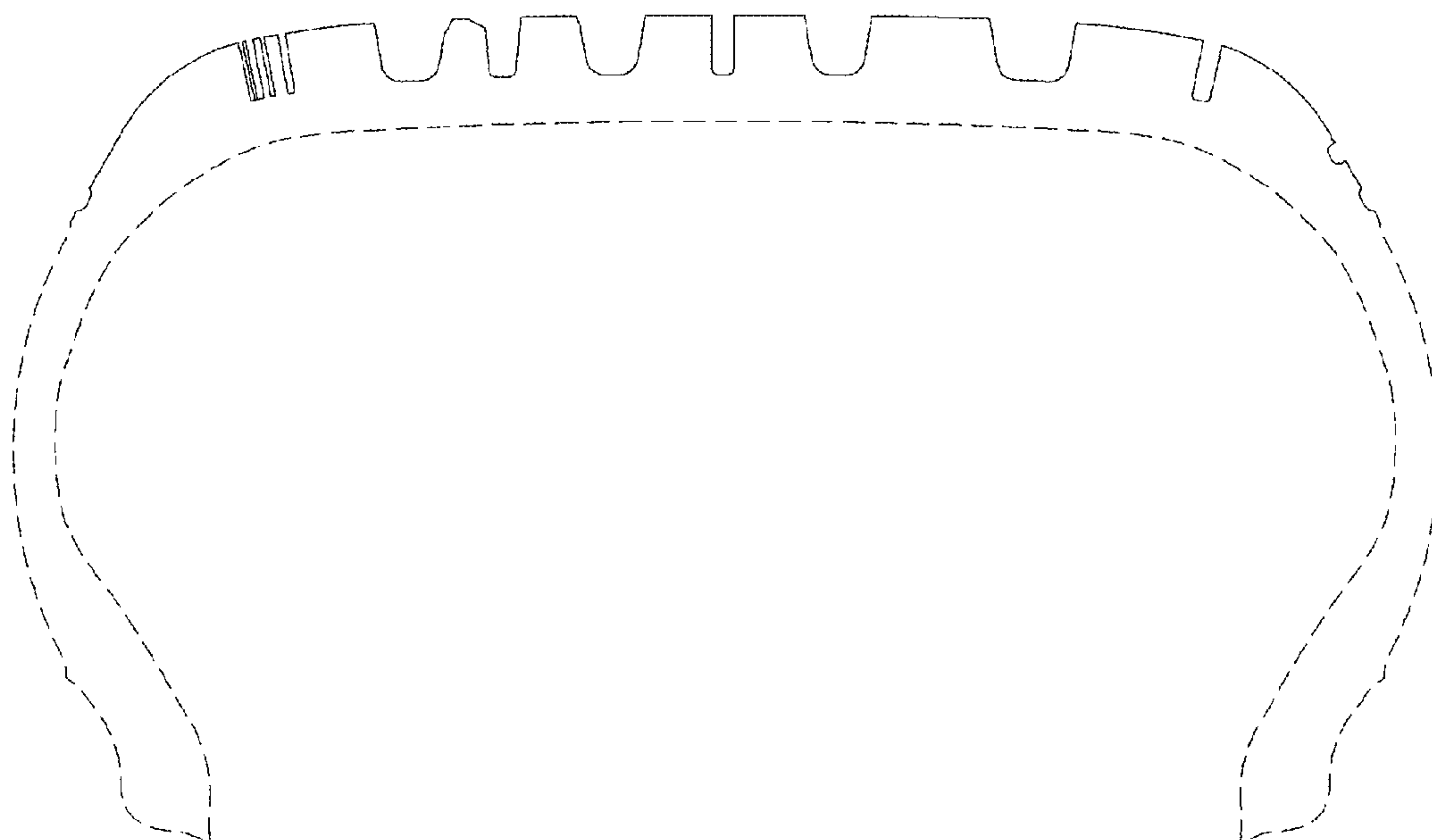


FIG. 7

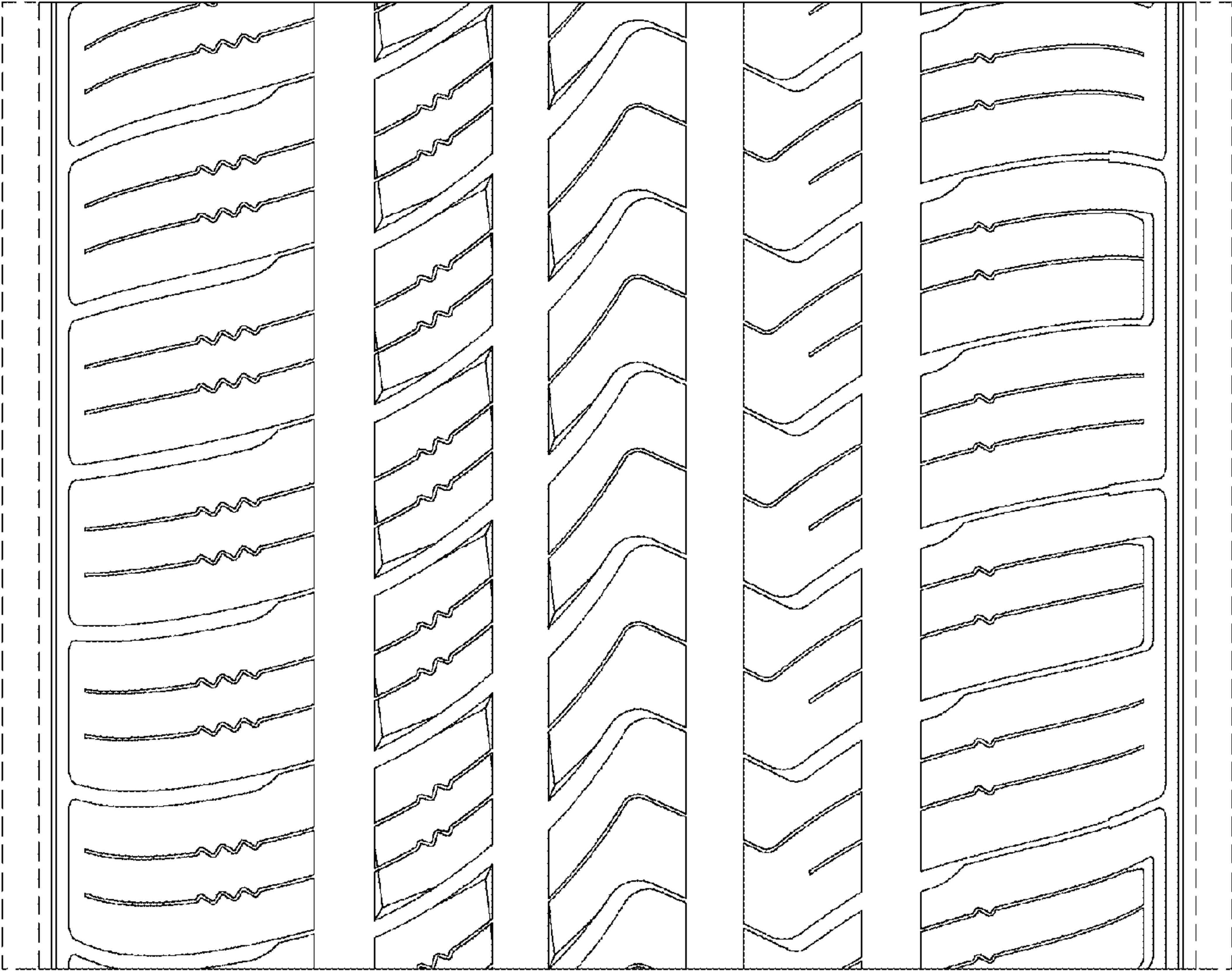


FIG. 8