



US00D733033S

(12) **United States Design Patent**
Rohr et al.

(10) **Patent No.:** **US D733,033 S**
(45) **Date of Patent:** **** Jun. 30, 2015**

(54) **TRUCK CAP ASSEMBLY**

(71) Applicant: **A.R.E. Accessories, LLC**, Massillon, OH (US)
(72) Inventors: **Andrew N. Rohr**, Wadsworth, OH (US);
Thomas M. Ertl, Wooster, OH (US);
Todd S. Dreher, Orrville, OH (US)
(73) Assignee: **A.R.E. Accessories, LLC**, Massillon, OH (US)

(**) Term: **14 Years**

(21) Appl. No.: **29/498,516**

(22) Filed: **Aug. 5, 2014**

(51) **LOC (10) Cl.** **12-16**

(52) **U.S. Cl.**
USPC **D12/401**

(58) **Field of Classification Search**
USPC D12/401-405; 160/370.12, 370.22,
160/370.23; 280/770; 150/158, 165-167;
296/100.11-100.18, 136.01, 136.05,
296/136.06, 136.07, 95.1, 77.1; 135/88.01,
135/95

See application file for complete search history.

(56) **References Cited**

U.S. PATENT DOCUMENTS

D581,859 S *	12/2008	Bogard	D12/401
D581,860 S *	12/2008	Bogard	D12/401
D678,173 S *	3/2013	McIntire	D12/401
D687,760 S *	8/2013	Gros	D12/401
D687,761 S *	8/2013	Gros	D12/401
D690,256 S *	9/2013	Ewringmann	D12/401
2001/0038225 A1 *	11/2001	Muirhead	296/100.06

* cited by examiner

Primary Examiner — Katrina A Betton

(74) *Attorney, Agent, or Firm* — Sand & Sebolt

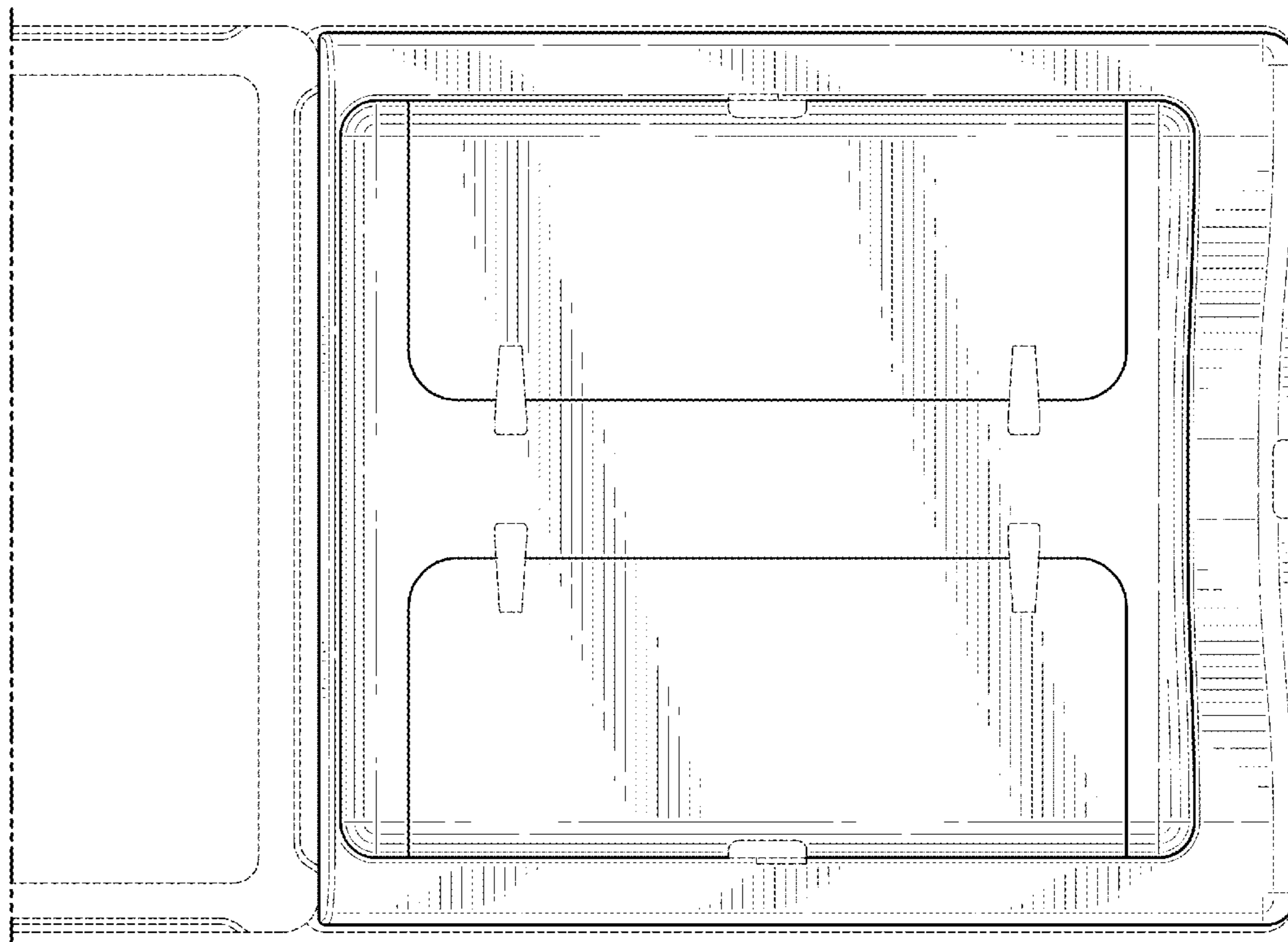
(57) **CLAIM**

The ornamental design for a truck cap assembly, as shown and described.

DESCRIPTION

FIG. 1 is a left side view of a truck cap assembly in accordance with our design;
FIG. 2 is a right side view thereof;
FIG. 3 is a top view thereof;
FIG. 4 is a rear view thereof; and,
FIG. 5 is a front view thereof.
The broken lines in the figures illustrate the environmental structure on which the truck cap assembly is used and form no part of the claimed design.

1 Claim, 5 Drawing Sheets



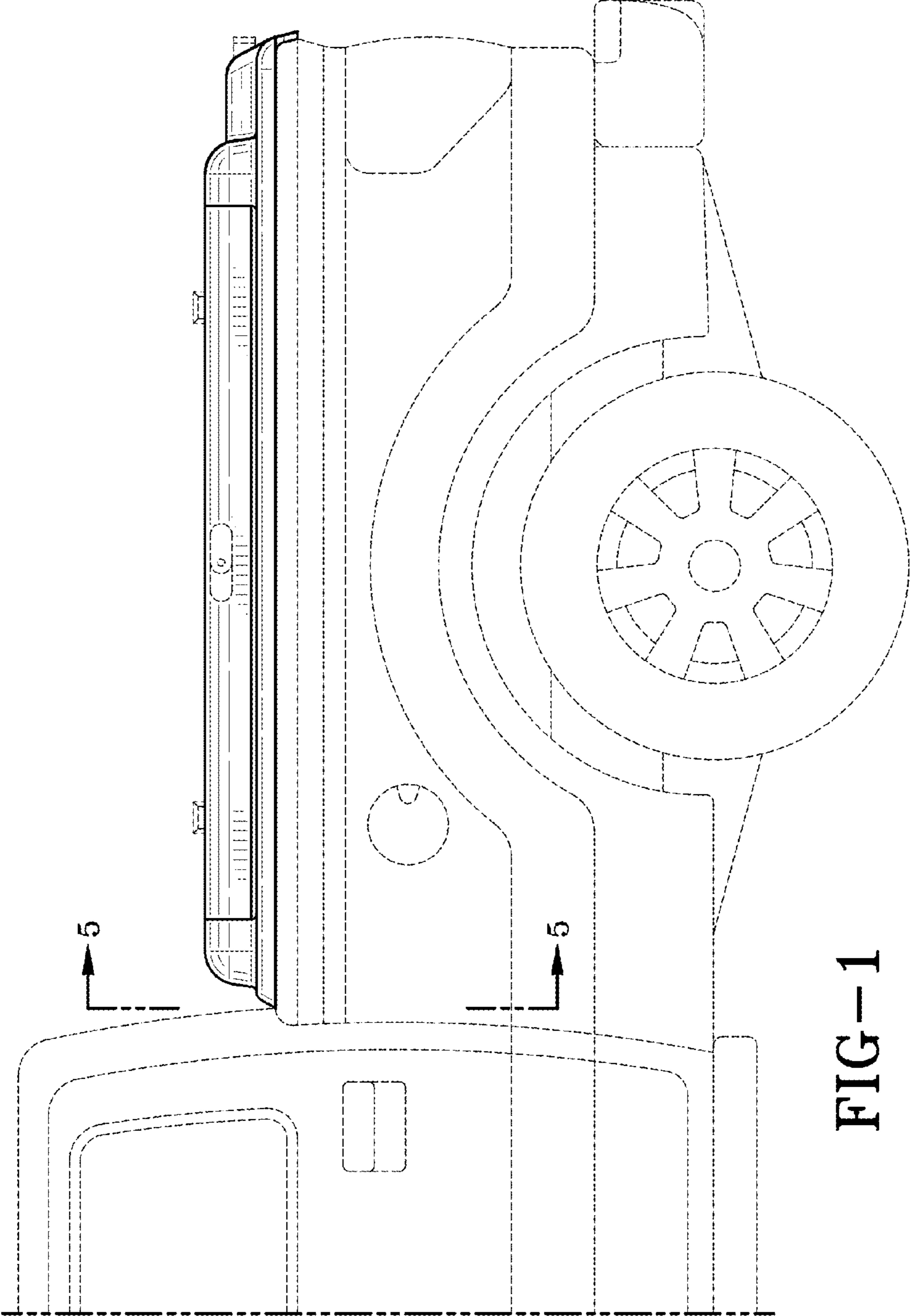


FIG-1

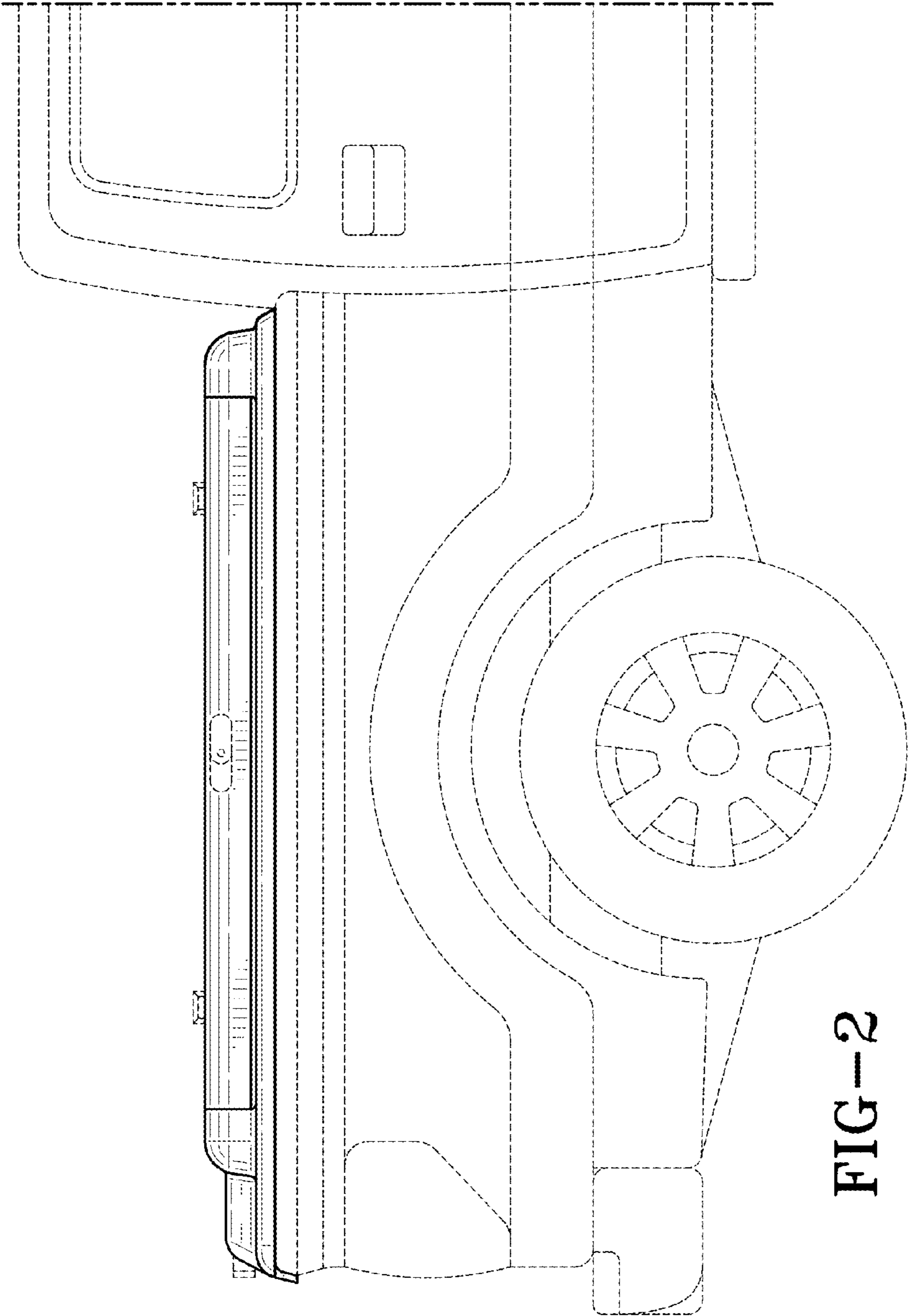
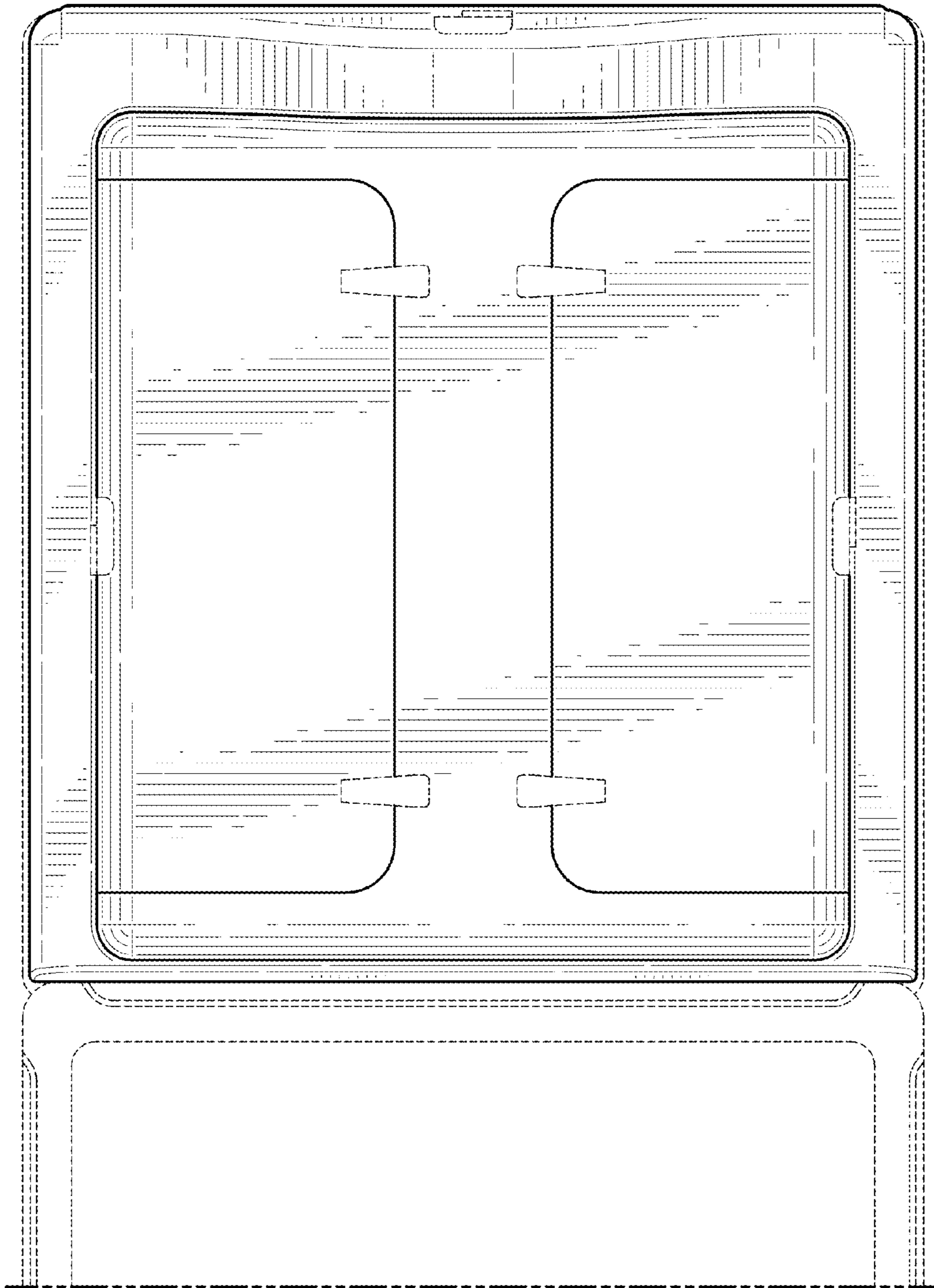


FIG-2

FIG-3



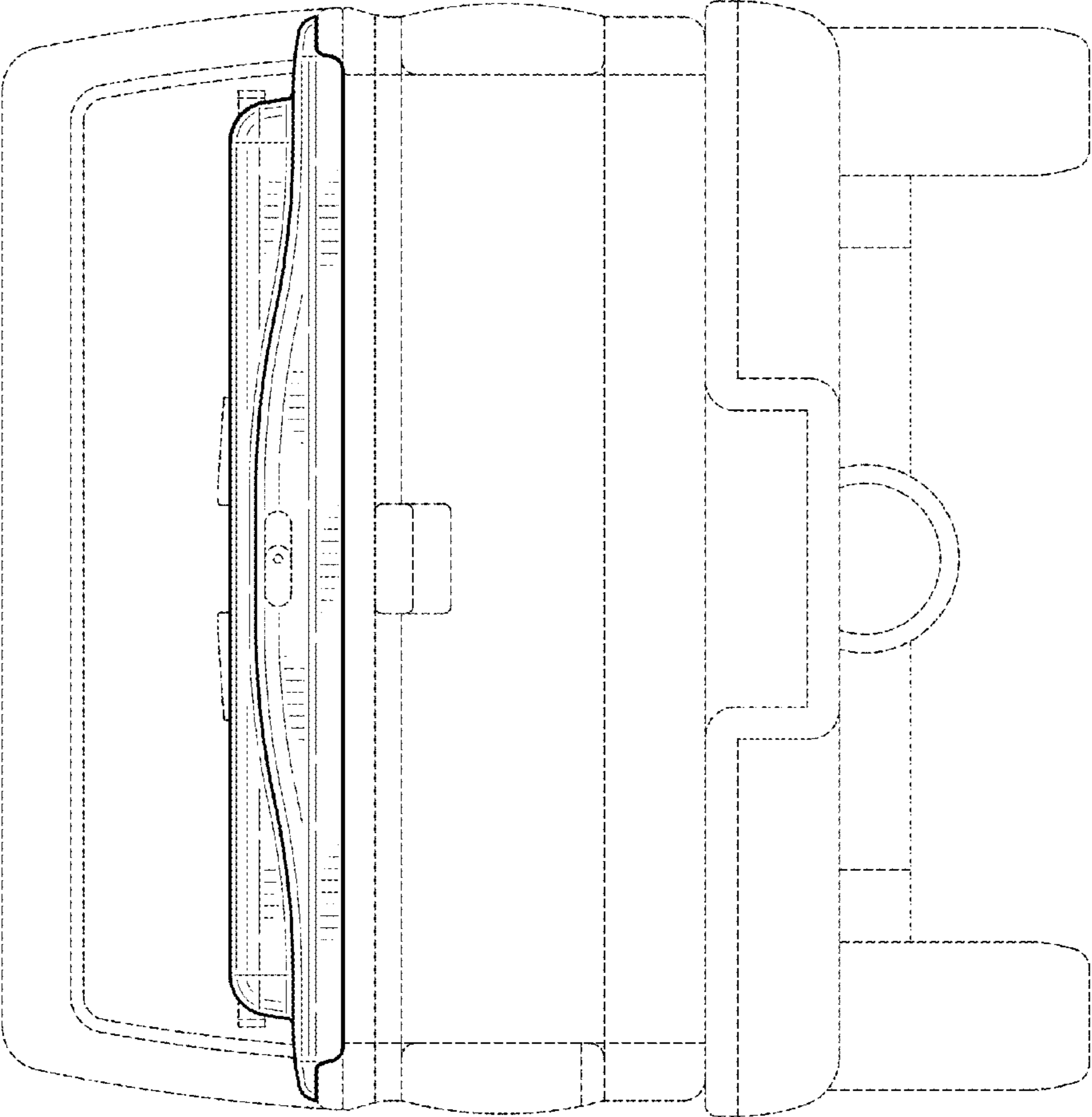


FIG--4

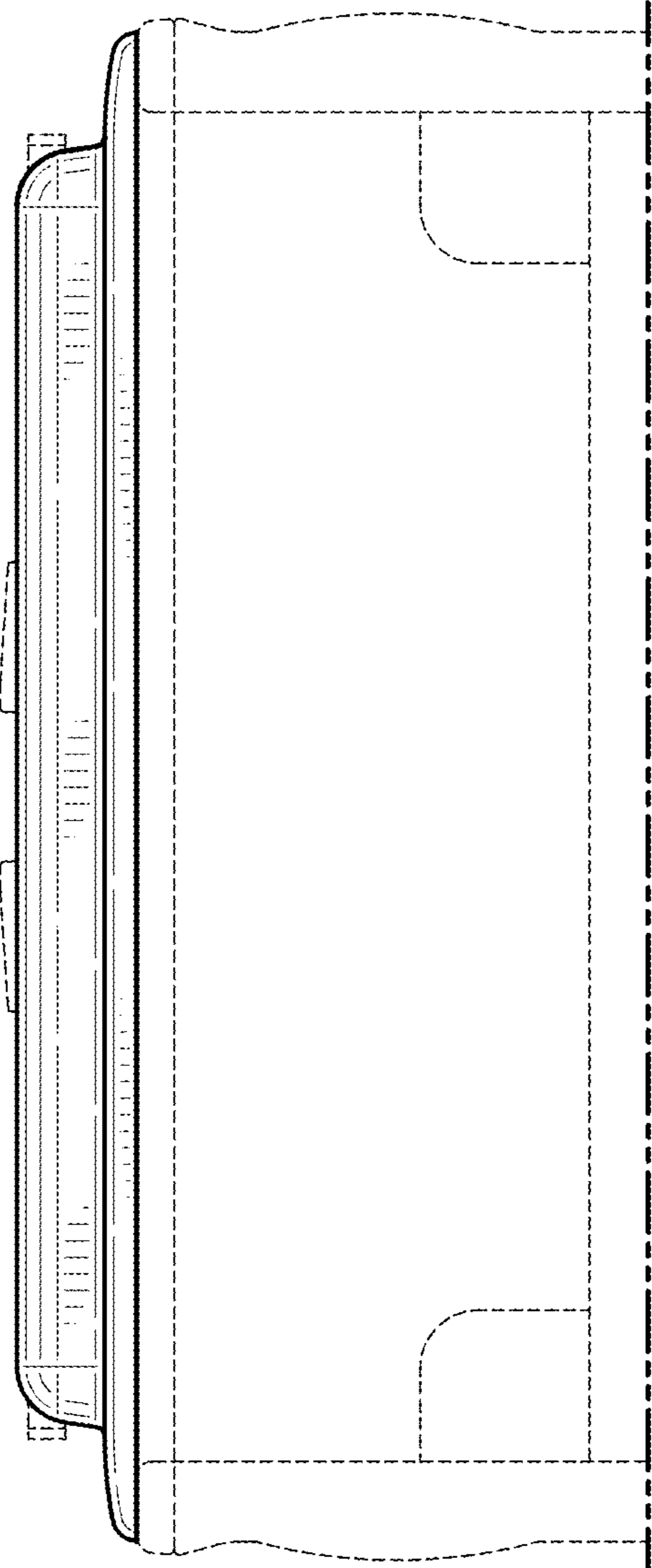


FIG-5