



US00D733032S

(12) **United States Design Patent**
Krawl

(10) **Patent No.:** **US D733,032 S**
(45) **Date of Patent:** **** Jun. 30, 2015**

(54) **CAB LOCK**

(71) Applicant: **Michael Krawl**, New Berlin, IL (US)

(72) Inventor: **Michael Krawl**, New Berlin, IL (US)

(**) Term: **14 Years**

(21) Appl. No.: **29/455,925**

(22) Filed: **May 27, 2013**

(51) **LOC (10) Cl.** **12-16**

(52) **U.S. Cl.**
USPC **D12/400**

(58) **Field of Classification Search**
USPC D12/400, 217; D3/11, 203.5, 206, 232,
D3/265; D9/678, 681, 703, 711; 114/347,
114/201, 398; 298/178, 19 B, 22 B
See application file for complete search history.

(56) **References Cited**

U.S. PATENT DOCUMENTS

| | | | | | | |
|-----------|----|---|--------|-------------------|-------|----------|
| D300,309 | S | * | 3/1989 | Miller et al. | | D12/15 |
| D338,651 | S | * | 8/1993 | Herron | | D12/217 |
| 5,405,181 | A | * | 4/1995 | Watkins et al. | | 298/17 B |
| 6,905,174 | B1 | | 6/2005 | Gilbertson et al. | | |

| | | | | | | |
|-----------|----|---|---------|---------------------|-------|----------|
| 7,914,083 | B2 | * | 3/2011 | Thiemke | | 298/17 B |
| 8,231,178 | B2 | * | 7/2012 | Bibeau | | 298/19 B |
| D683,924 | S | * | 6/2013 | Wolfenbarger et al. | | D34/32 |
| 8,499,899 | B2 | * | 8/2013 | Scott | | 188/32 |
| D690,644 | S | * | 10/2013 | Bowman et al. | | D12/217 |

* cited by examiner

Primary Examiner — Katrina A Betton

(74) *Attorney, Agent, or Firm* — Law Office of Robert M. Patino

(57) **CLAIM**

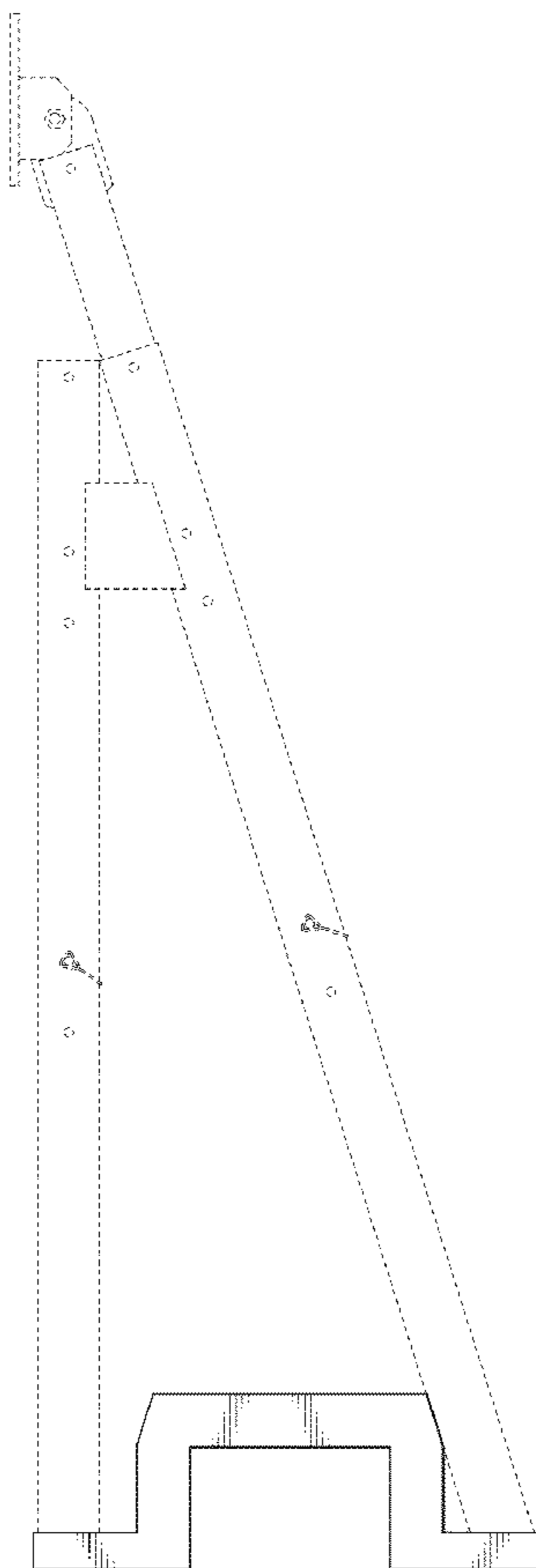
The ornamental design for a cab lock, as shown and described.

DESCRIPTION

FIG. 1 is a top front perspective view of a cab lock showing my new design;
FIG. 2 is a front plan view thereof;
FIG. 3 is a back plan view thereof;
FIG. 4 is a left-side plan view thereof;
FIG. 5 is a right-side plan view thereof;
FIG. 6 is a top plan view thereof; and,
FIG. 7 is a bottom plan view thereof.

In the drawings, the broken lines depict portions of the article that form no part of the claimed design.

1 Claim, 4 Drawing Sheets



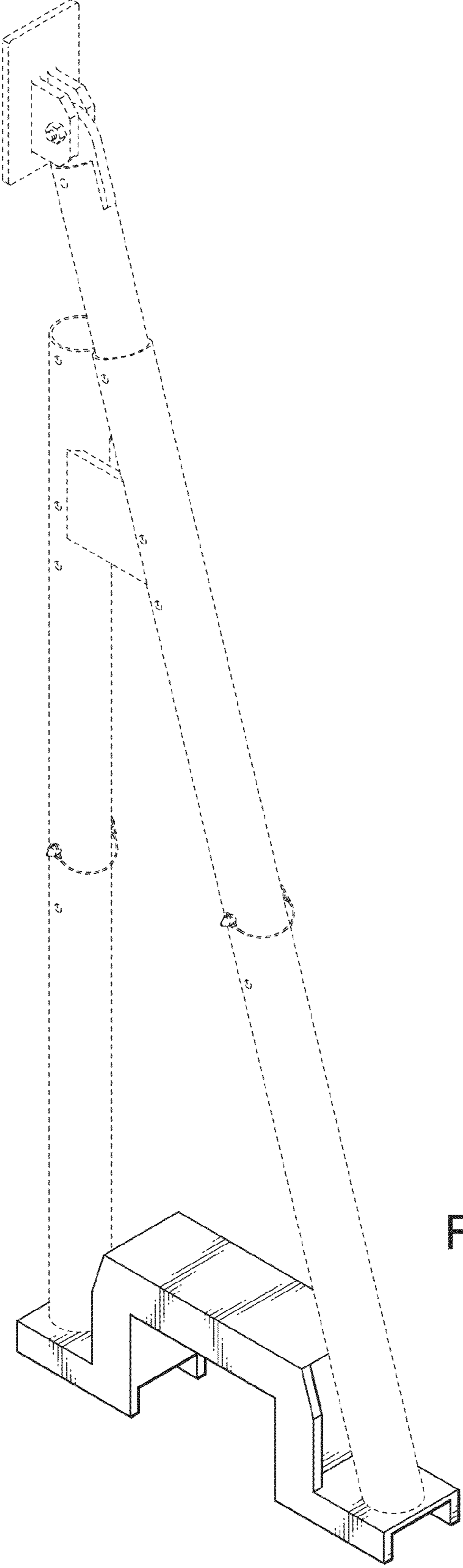


FIG. 1

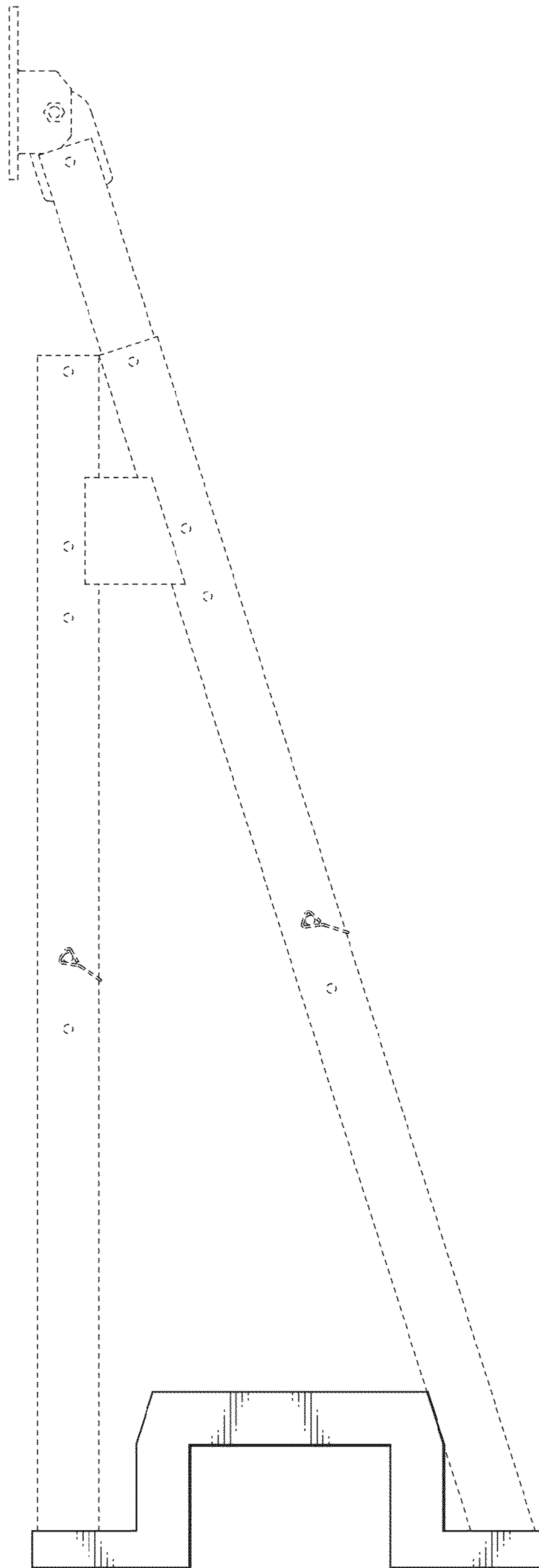


FIG. 2

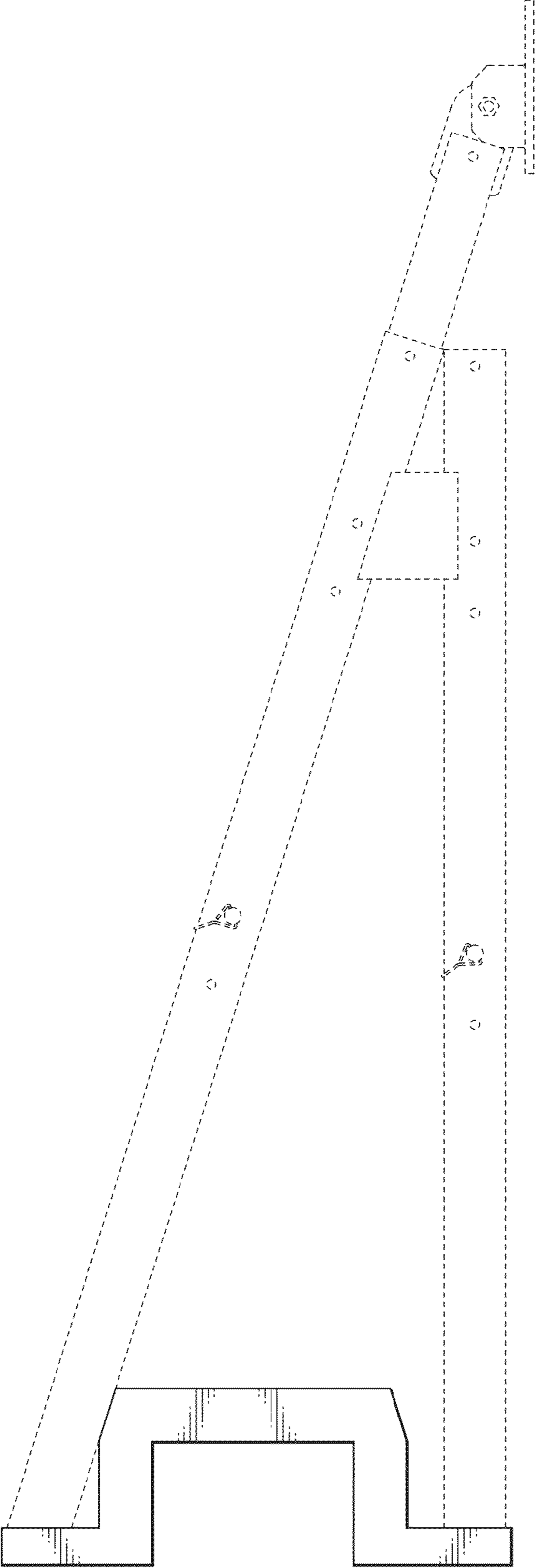


FIG. 3

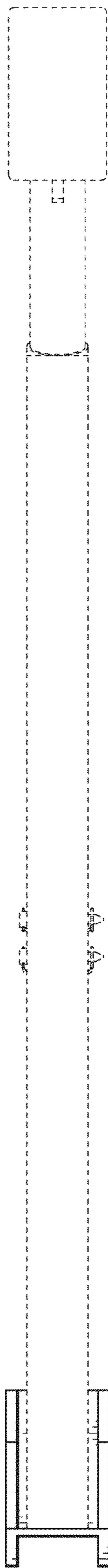


FIG. 4

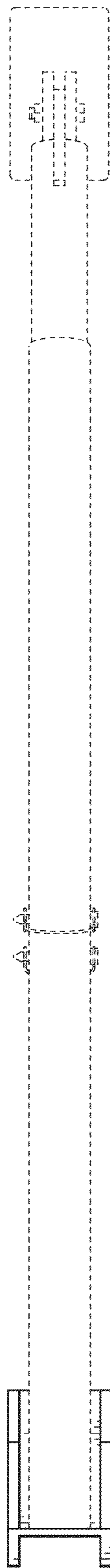


FIG. 5



FIG. 6

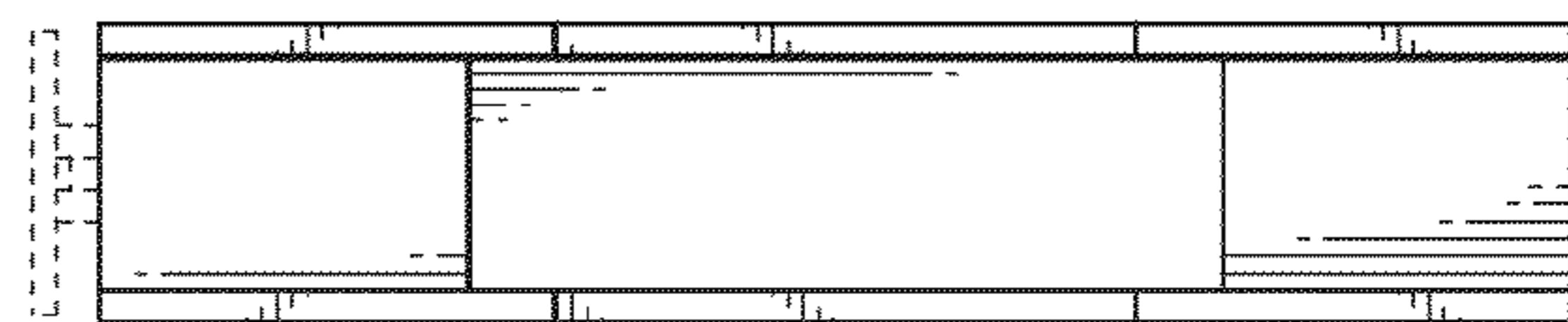


FIG. 7