



US00D733027S

(12) **United States Design Patent**
Chung

(10) **Patent No.:** **US D733,027 S**
(45) **Date of Patent:** **** Jun. 30, 2015**

- (54) **AUTOMOTIVE WHEEL**
- (71) Applicant: **Suny Chung**, Anaheim, CA (US)
- (72) Inventor: **Suny Chung**, Anaheim, CA (US)
- (**) Term: **14 Years**
- (21) Appl. No.: **29/499,502**
- (22) Filed: **Aug. 15, 2014**
- (51) **LOC (10) Cl.** **12-16**
- (52) **U.S. Cl.**
USPC **D12/211**
- (58) **Field of Classification Search**
USPC D12/204–213
CPC B60B 7/00; B60B 7/02; B60B 7/04;
B60B 7/01; B60B 7/06; B60B 3/02; B60B
3/04; B60B 3/06; B60B 3/10; B60B 1/00;
B60B 1/08; B60B 1/10; B60B 1/12
See application file for complete search history.

(56) **References Cited**

U.S. PATENT DOCUMENTS

- D402,952 S * 12/1998 Sycha D12/211
- D465,186 S * 11/2002 Chung D12/211
- D480,676 S * 10/2003 Bhambra D12/211
- D484,085 S * 12/2003 Tirado D12/211

- D526,265 S * 8/2006 Muzzarelli D12/209
- D530,259 S * 10/2006 Sands D12/211
- D540,732 S * 4/2007 Metros et al. D12/211
- D570,762 S * 6/2008 Scheu D12/211
- D572,651 S * 7/2008 Schweizer D12/211
- D579,397 S * 10/2008 Osborne D12/211
- D630,147 S * 1/2011 Sands D12/211
- D644,587 S * 9/2011 Gotschke D12/209
- D687,756 S * 8/2013 Campbell et al. D12/209

* cited by examiner

Primary Examiner — Stacia Cadmus

(57) **CLAIM**

The ornamental design for an automotive wheel, as shown and described.

DESCRIPTION

FIG. 1 is a perspective view of an automotive wheel, showing my new design;

FIG. 2 is a front view thereof;

FIG. 3 is a perspective view of a second embodiment of an automotive wheel; and,

FIG. 4 is a front view of FIG. 3.

The broken line showing of the rear portion of the wheel is included for the purpose of illustrating environment and forms no part of the claimed design.

1 Claim, 6 Drawing Sheets

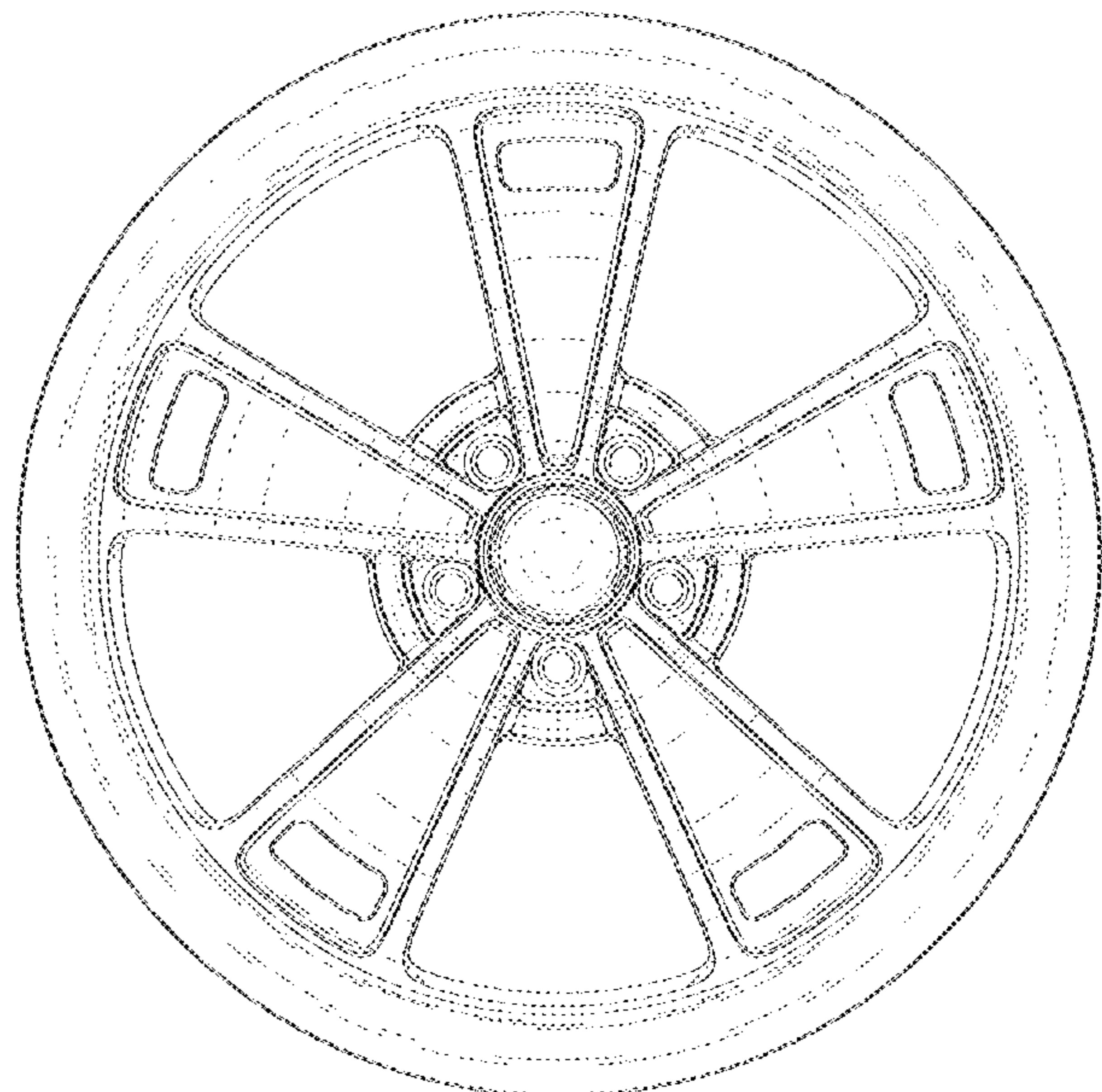
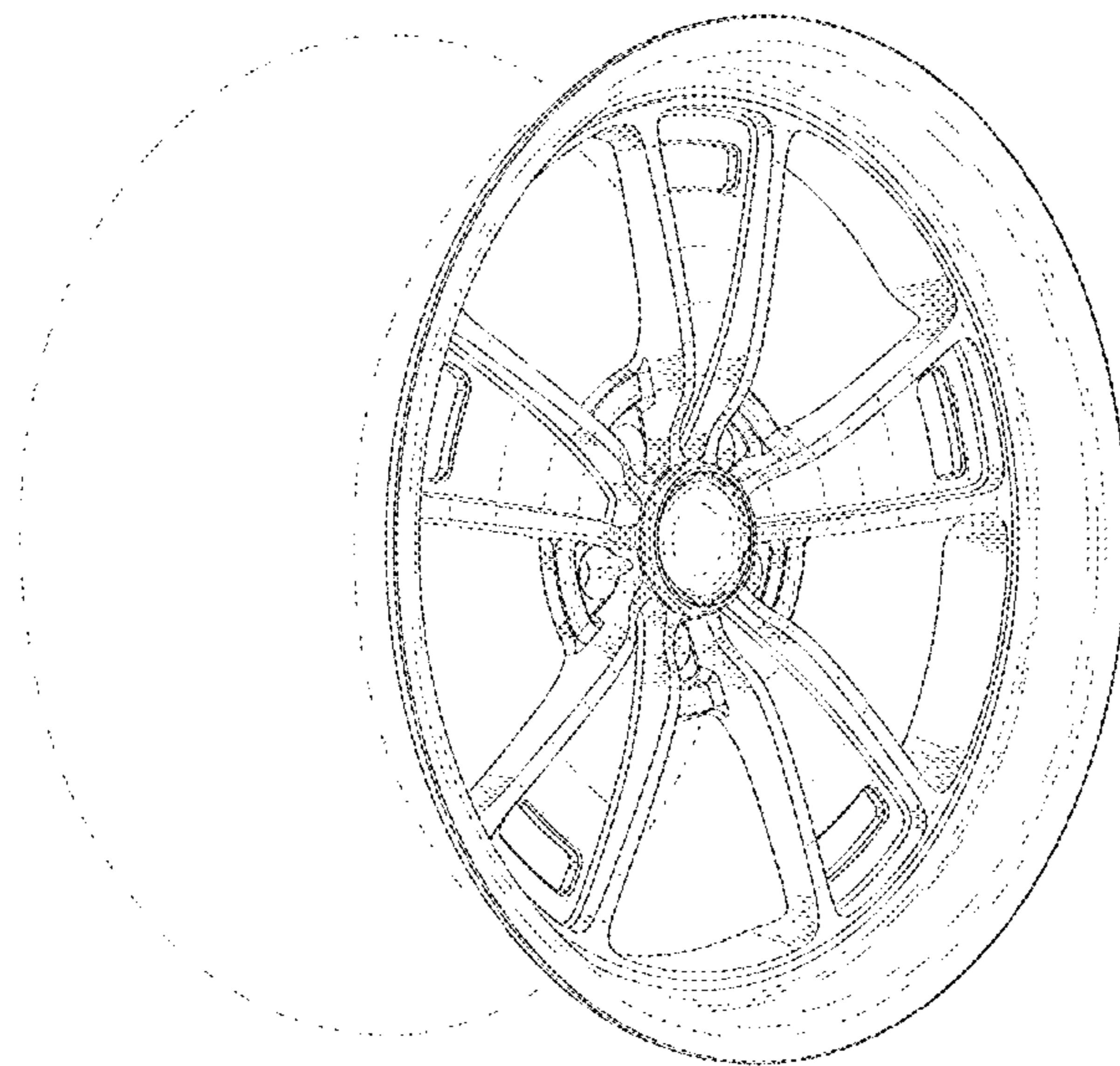


FIGURE 1

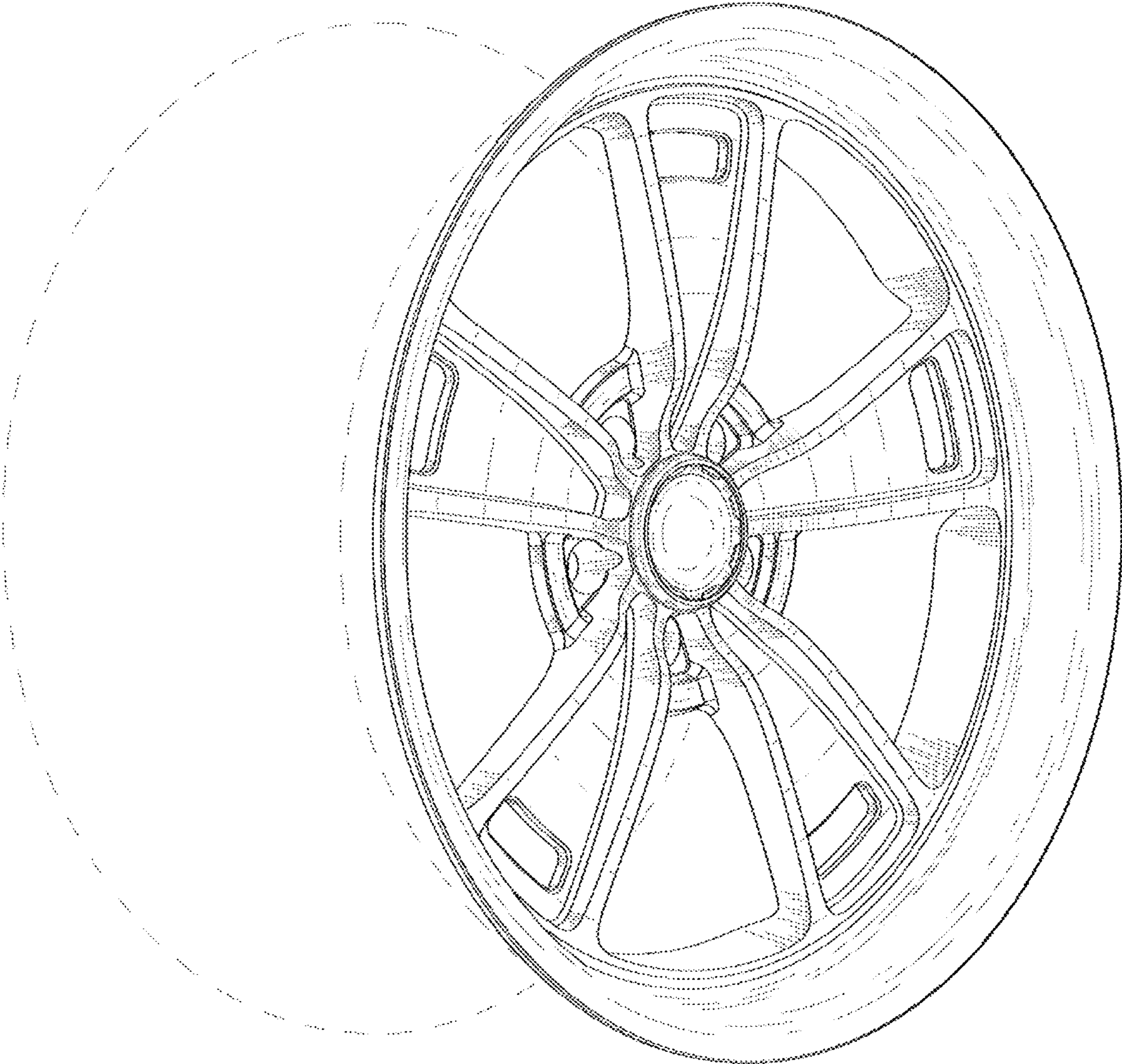


FIGURE 2

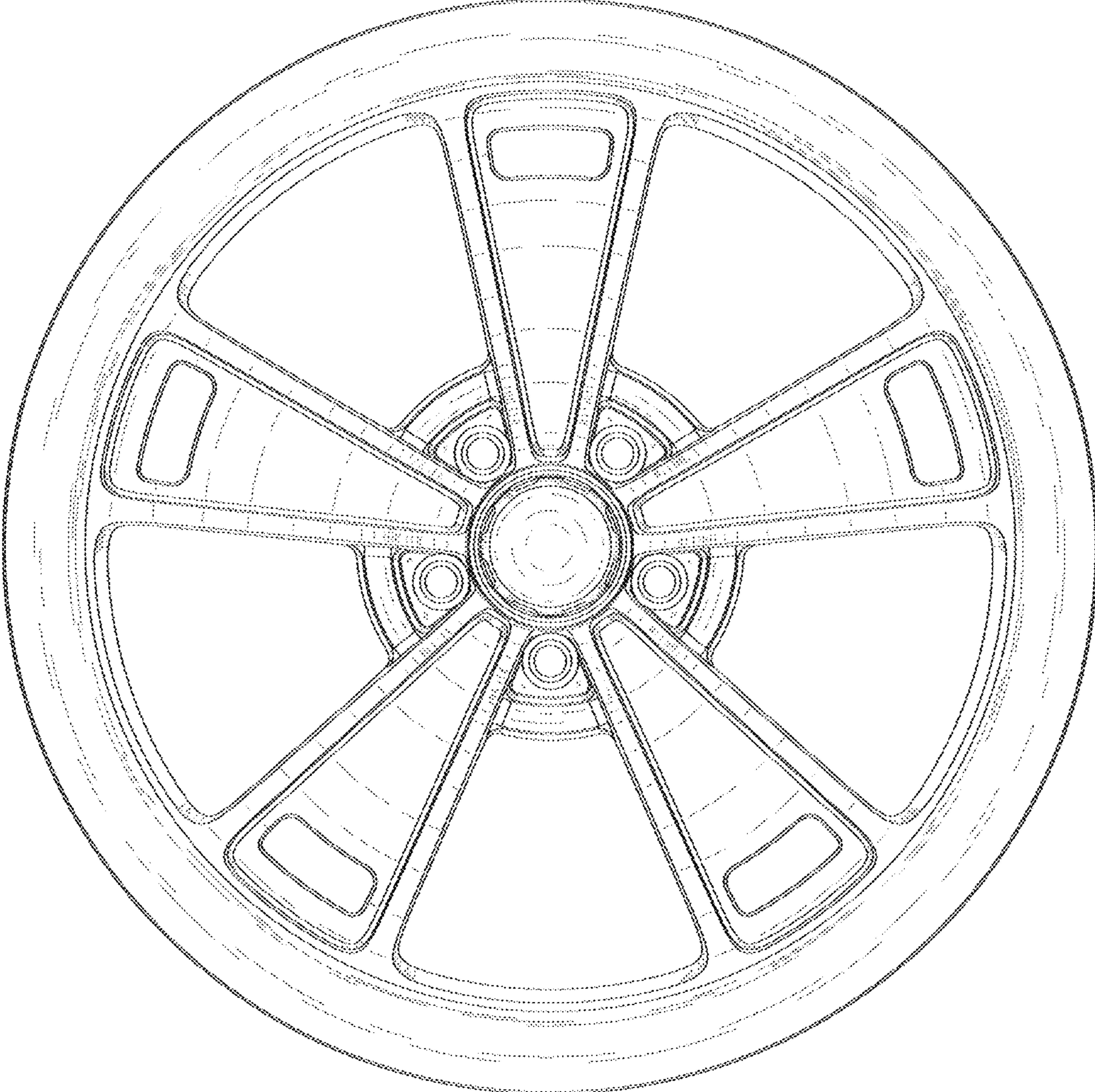


FIGURE 3

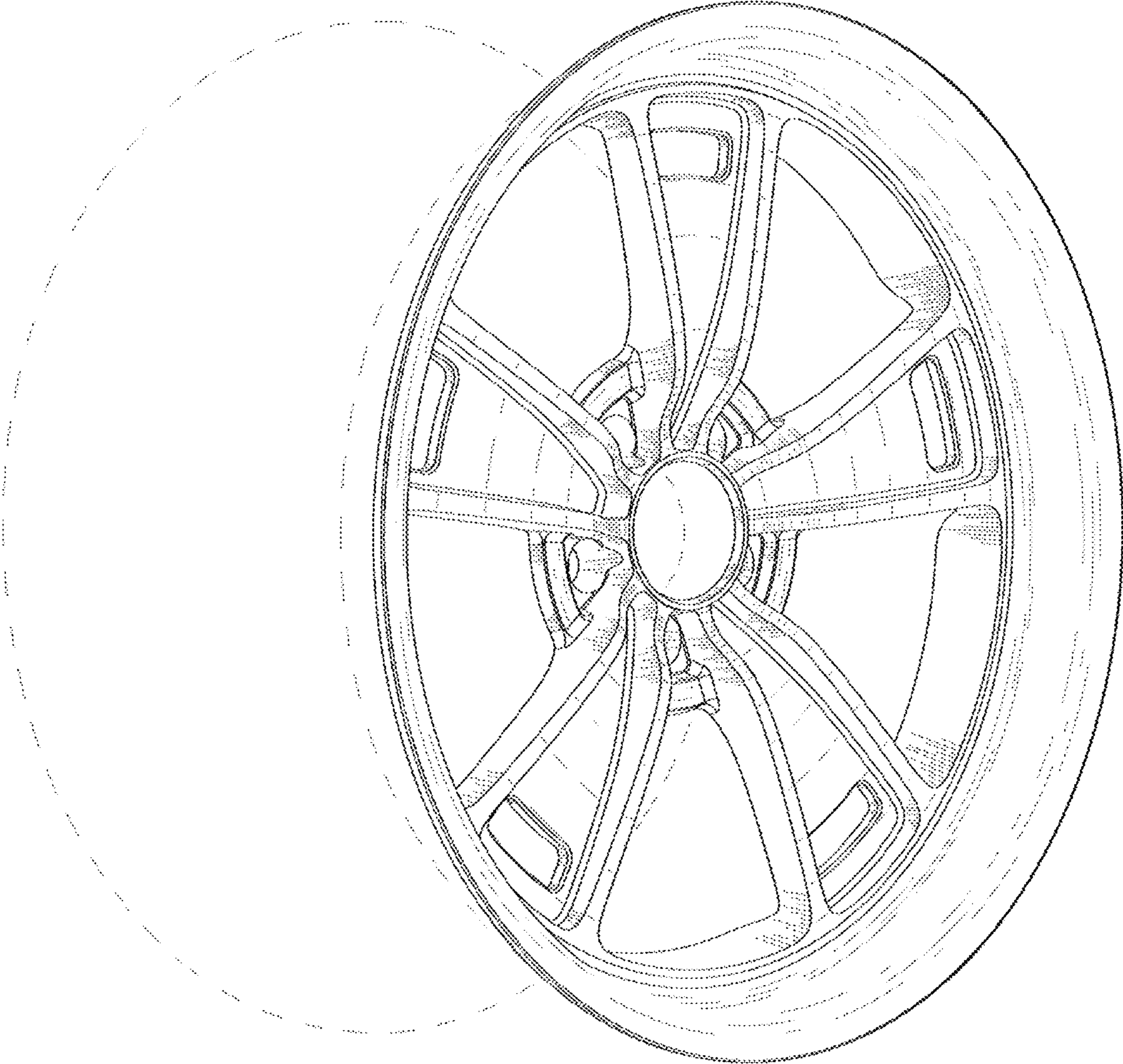


FIGURE 4

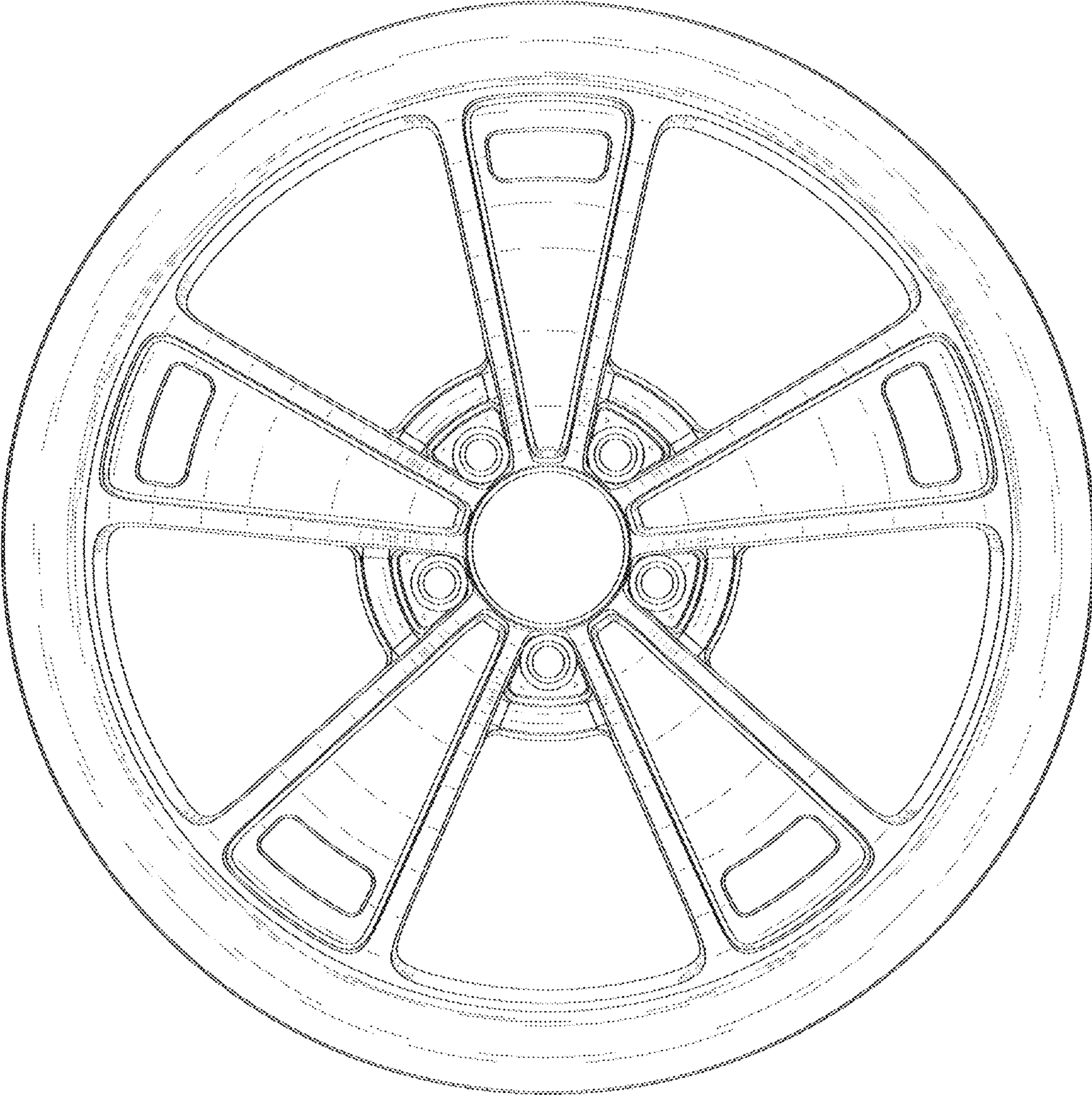


FIGURE 5

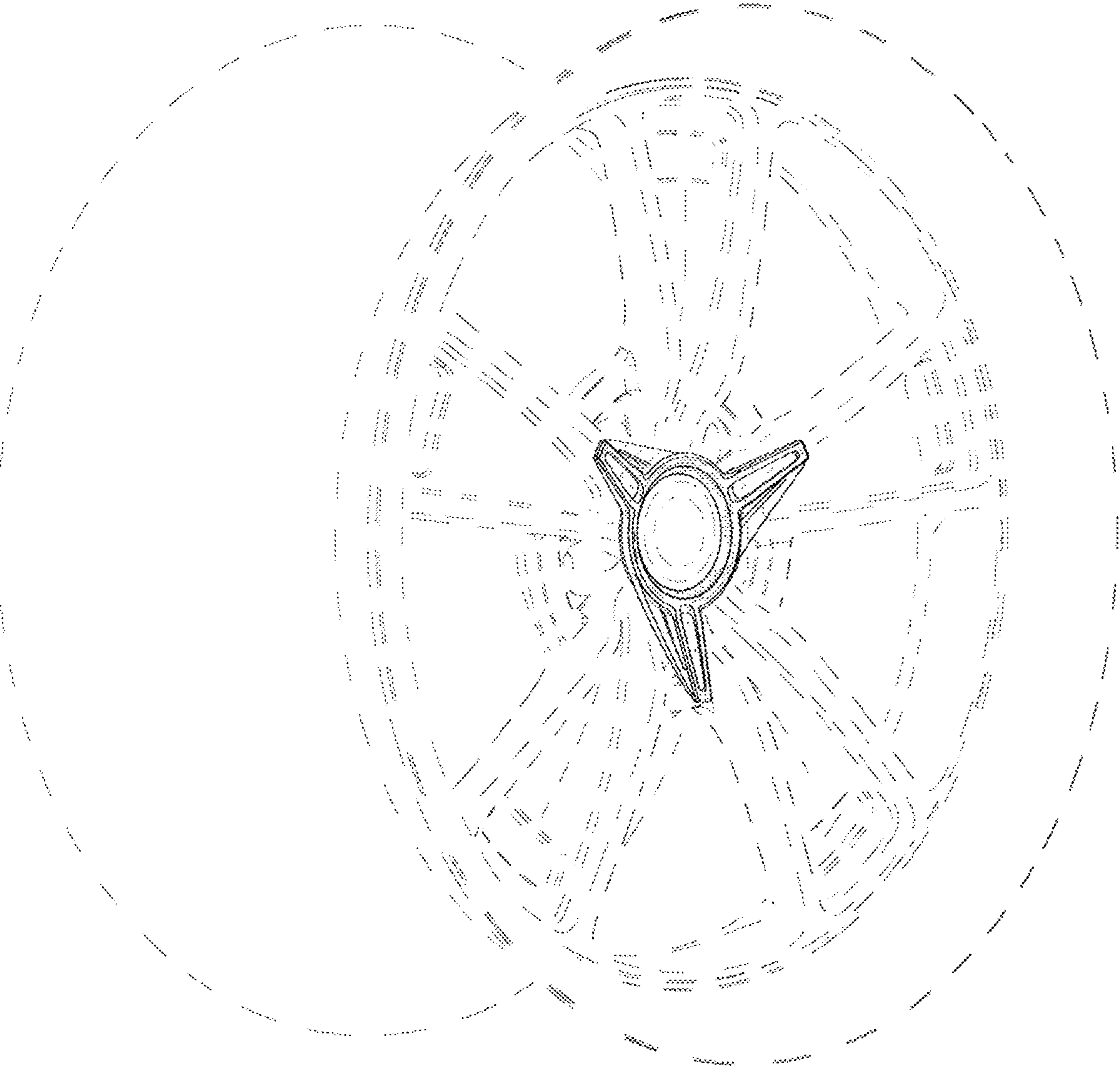


FIGURE 6

