



US00D733023S

(12) **United States Design Patent**  
**Ferrett**

(10) **Patent No.:** **US D733,023 S**

(45) **Date of Patent:** **\*\* \*Jun. 30, 2015**

- (54) **RIGHT AUTOMOTIVE WHEEL**
- (71) Applicant: **Dylan Ferrett**, Hampshire (GB)
- (72) Inventor: **Dylan Ferrett**, Hampshire (GB)
- (\*) Notice: This patent is subject to a terminal disclaimer.
- (\*\*) Term: **14 Years**
- (21) Appl. No.: **29/473,062**
- (22) Filed: **Nov. 18, 2013**
- (51) **LOC (10) Cl.** ..... **12-16**
- (52) **U.S. Cl.**  
USPC ..... **D12/209**
- (58) **Field of Classification Search**  
USPC ..... D12/204–213  
CPC ..... B60B 7/00; B60B 7/02; B60B 7/04;  
B60B 7/01; B60B 7/06; B60B 3/02; B60B  
3/04; B60B 3/06; B60B 3/10; B60B 1/00;  
B60B 1/08; B60B 1/10; B60B 1/12  
See application file for complete search history.

(56) **References Cited**

**U.S. PATENT DOCUMENTS**

D361,320 S *	8/1995	Wise .....	D12/209
D386,738 S *	11/1997	Doyle .....	D12/209
D408,003 S *	4/1999	Sacco et al. ....	D12/209
D412,308 S *	7/1999	Hussaini et al. ....	D12/209
D415,092 S *	10/1999	Wang .....	D12/209
D425,847 S *	5/2000	Iguchi .....	D12/209
D441,338 S *	5/2001	Hussaini et al. ....	D12/209
D445,749 S *	7/2001	Kuninari et al. ....	D12/209
D451,061 S *	11/2001	Ishihara .....	D12/209
D453,132 S *	1/2002	Chen .....	D12/209
D453,913 S *	2/2002	Minamisawa .....	D12/209
D455,693 S *	4/2002	Sato et al. ....	D12/209

D463,347 S *	9/2002	Takezawa .....	D12/209
D472,509 S *	4/2003	Laengerer .....	D12/209
D475,006 S *	5/2003	Yoshida .....	D12/209
D493,132 S *	7/2004	Rivers et al. ....	D12/209
D502,435 S *	3/2005	Kuninari et al. ....	D12/209
D507,220 S *	7/2005	Lucaora .....	D12/209
D514,494 S *	2/2006	Scheu .....	D12/209
D521,436 S *	5/2006	Meier .....	D12/209
D584,209 S *	1/2009	Klimas .....	D12/209
D605,573 S *	12/2009	Chan .....	D12/209
D631,812 S *	2/2011	Juergens et al. ....	D12/209
D631,814 S *	2/2011	Baum .....	D12/209
D655,659 S *	3/2012	Schweizer .....	D12/209
D664,489 S *	7/2012	Slorance .....	D12/209
D671,058 S *	11/2012	Hermann et al. ....	D12/209
D671,478 S *	11/2012	Baum et al. ....	D12/209
D673,097 S *	12/2012	Lemke .....	D12/209

\* cited by examiner

*Primary Examiner* — Stacia Cadmus

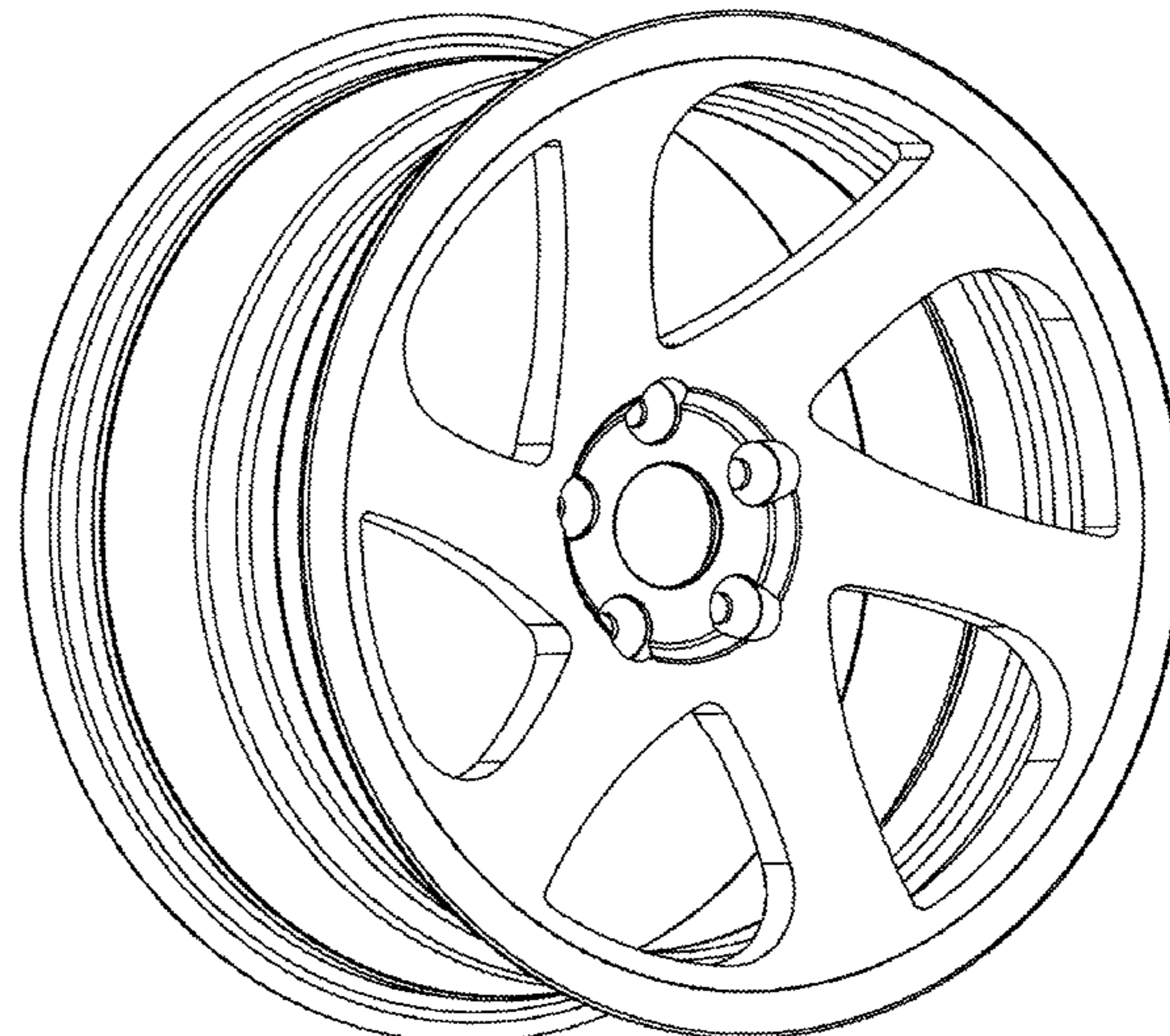
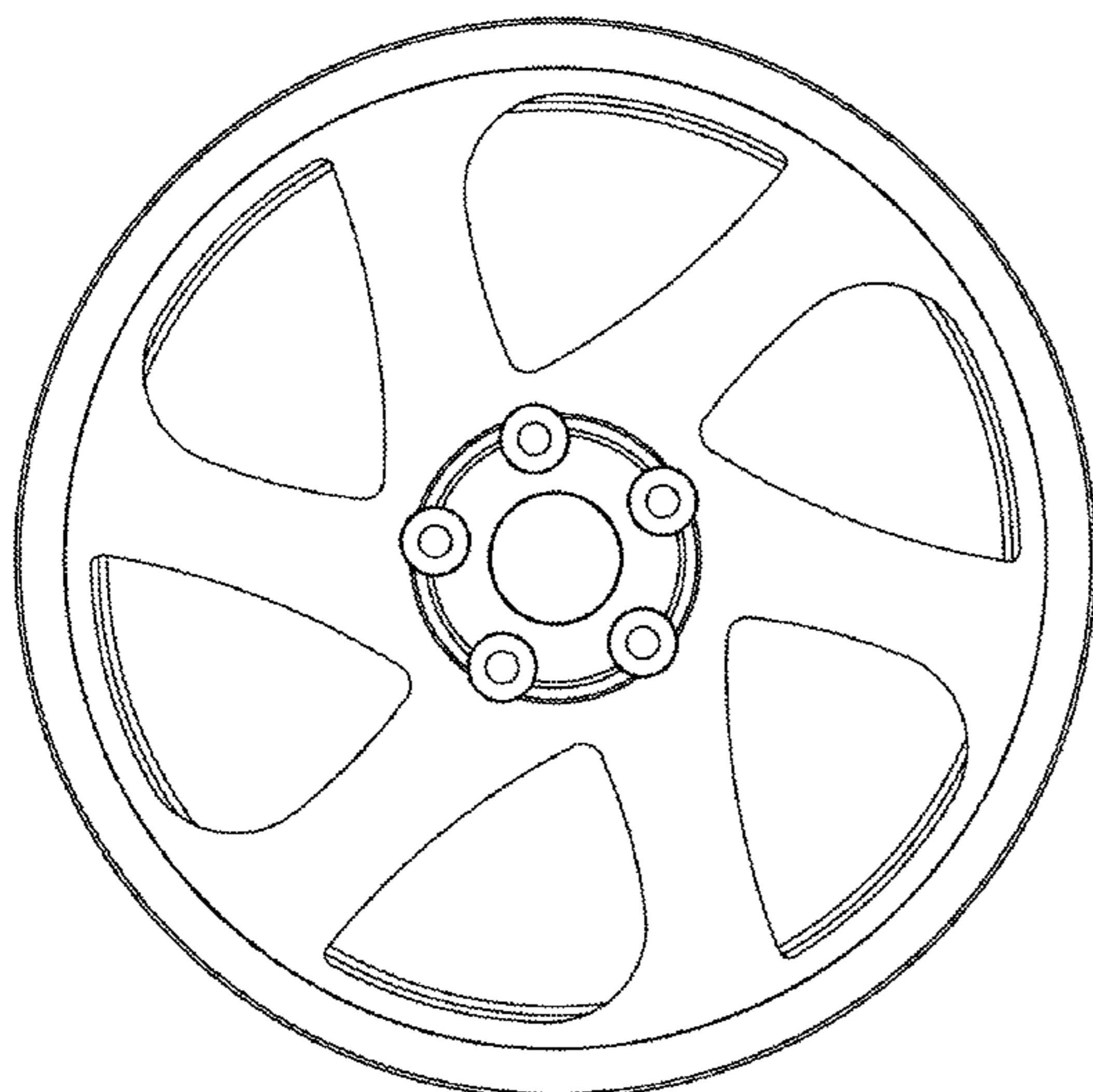
(57) **CLAIM**

I claim the ornamental design for a right automotive wheel, as shown and described.

**DESCRIPTION**

FIG. 1 is a front view of the right automotive wheel of the claimed design;  
 FIG. 2 is a front perspective view of the right automotive wheel of FIG. 1;  
 FIG. 3 is another perspective view of the right automotive wheel of FIG. 1;  
 FIG. 4 is another perspective view of the right automotive wheel of FIG. 1;  
 FIG. 5 is another perspective view of the right automotive wheel of FIG. 1;  
 FIG. 6 is another perspective view of the right automotive wheel of FIG. 1; and,  
 FIG. 7 is a side view of the right automotive wheel of FIG. 1.

**1 Claim, 7 Drawing Sheets**



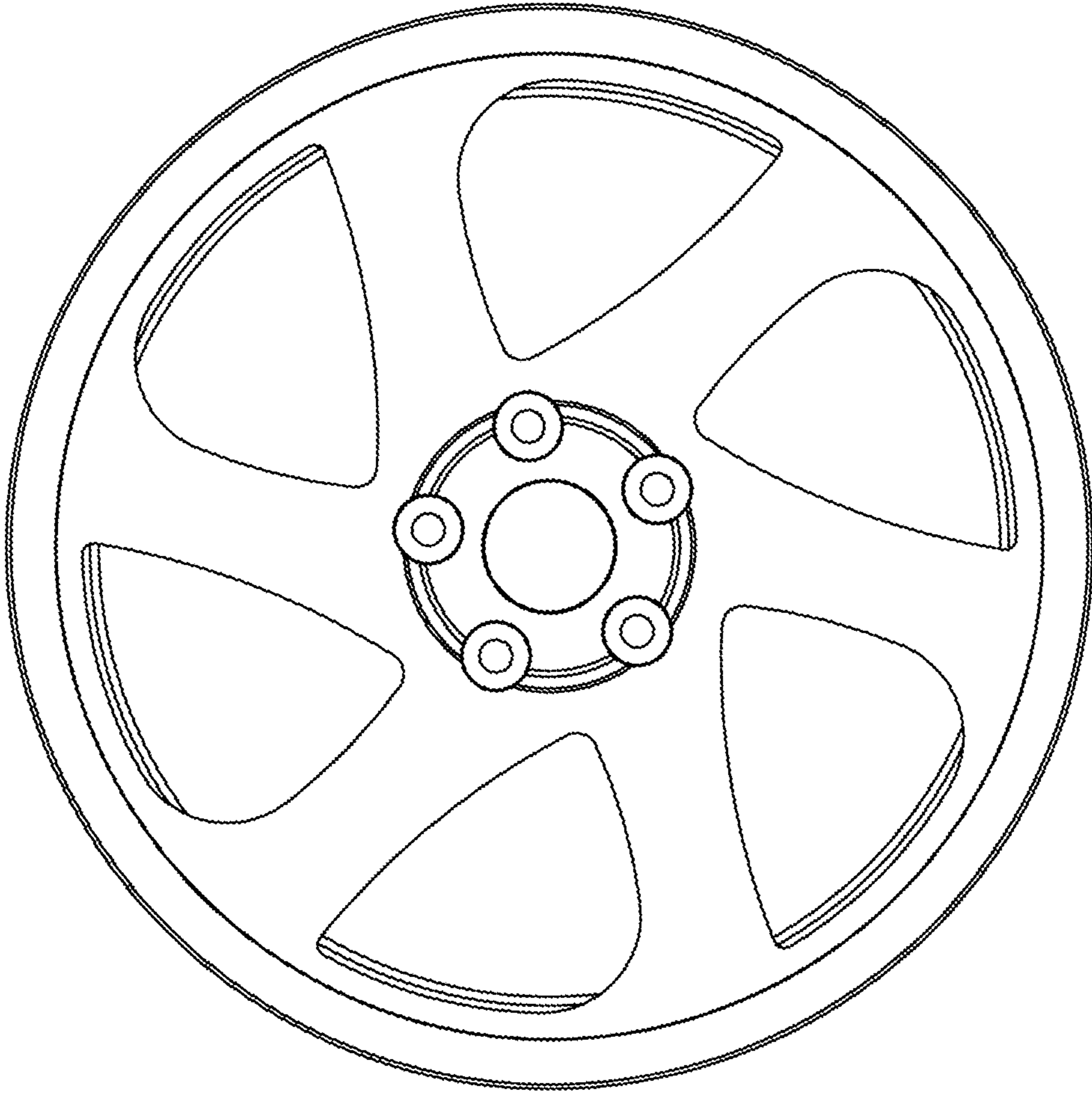


FIGURE 1



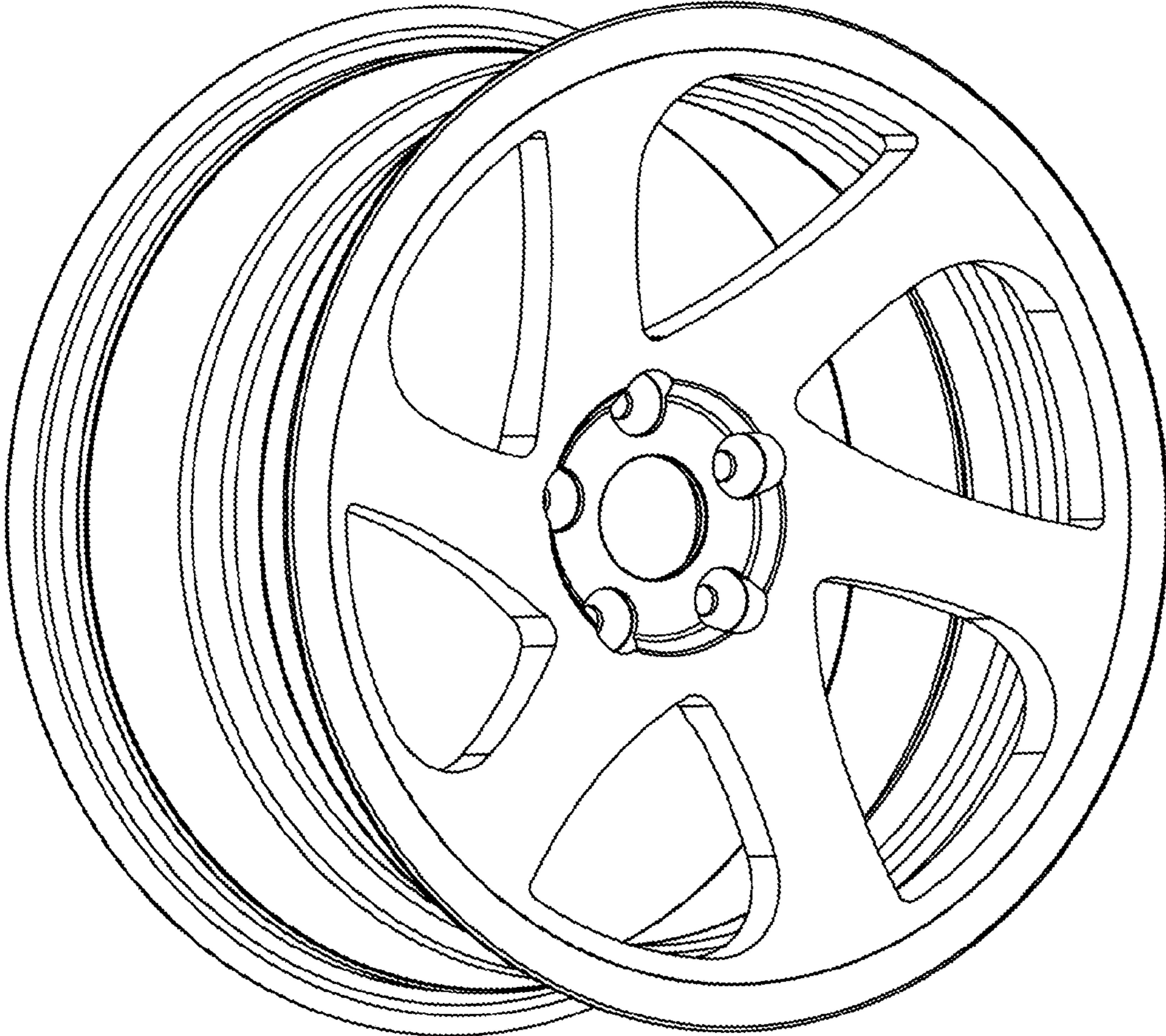


FIGURE 2

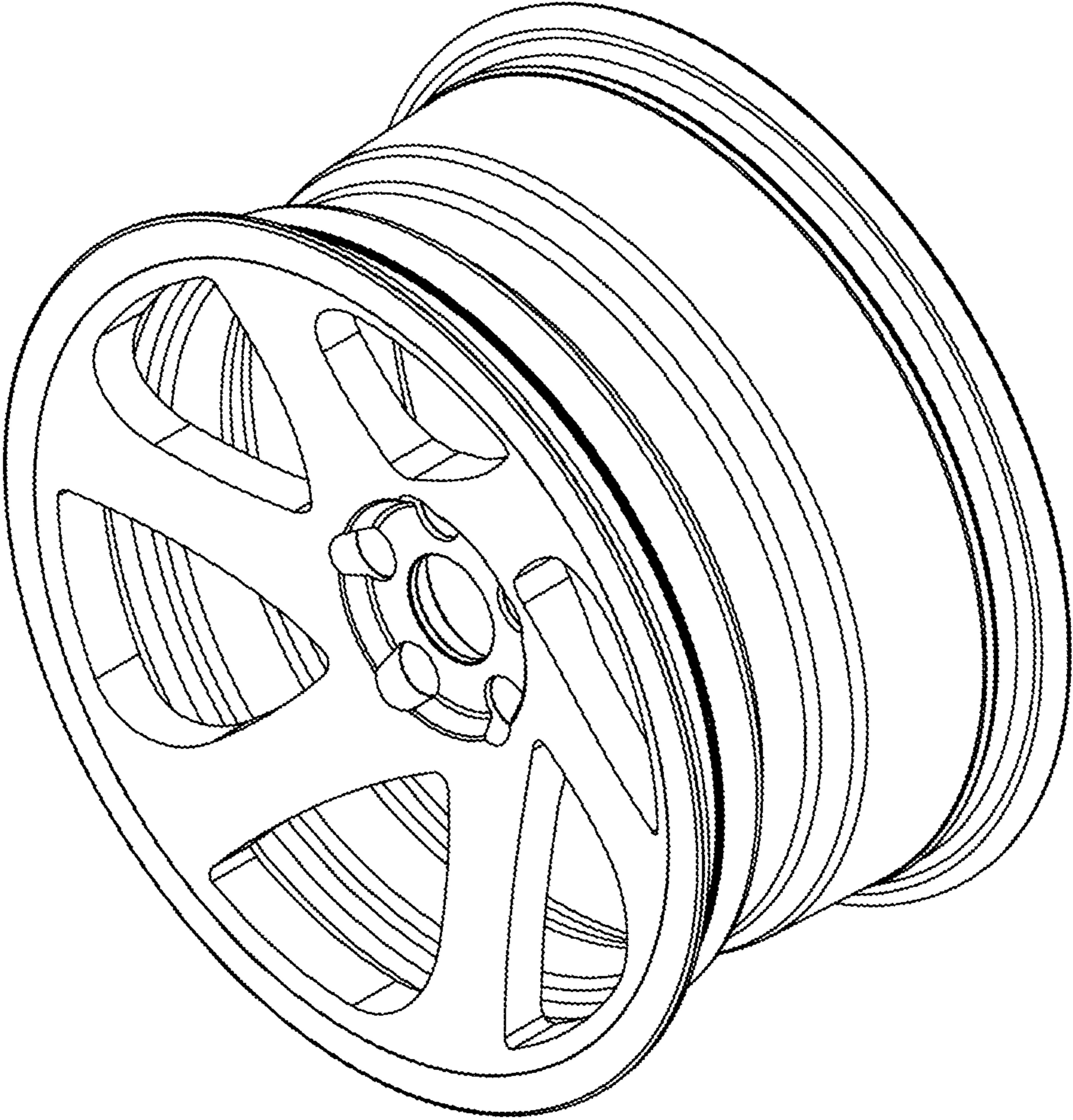


FIGURE 3

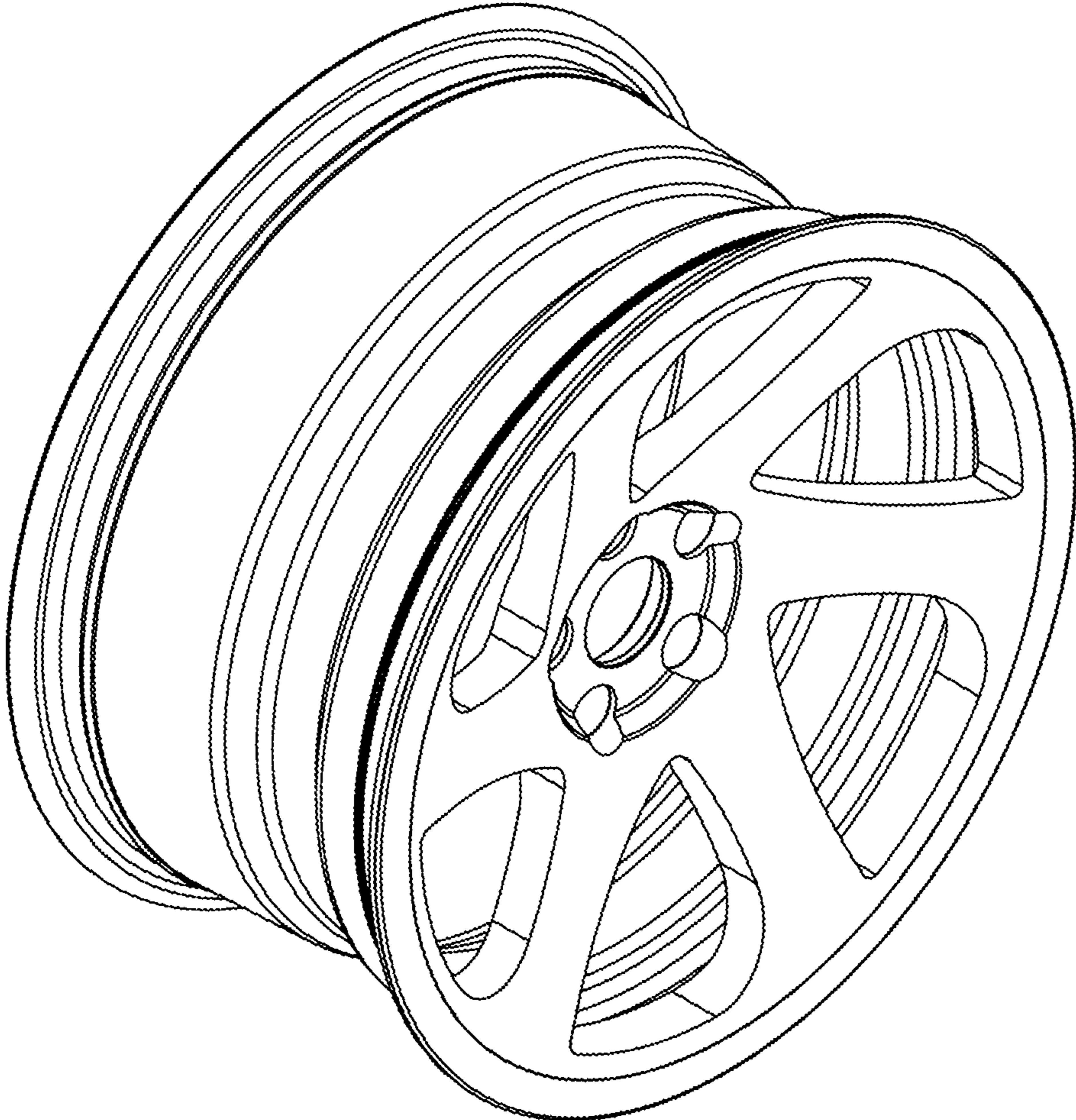


FIGURE 4



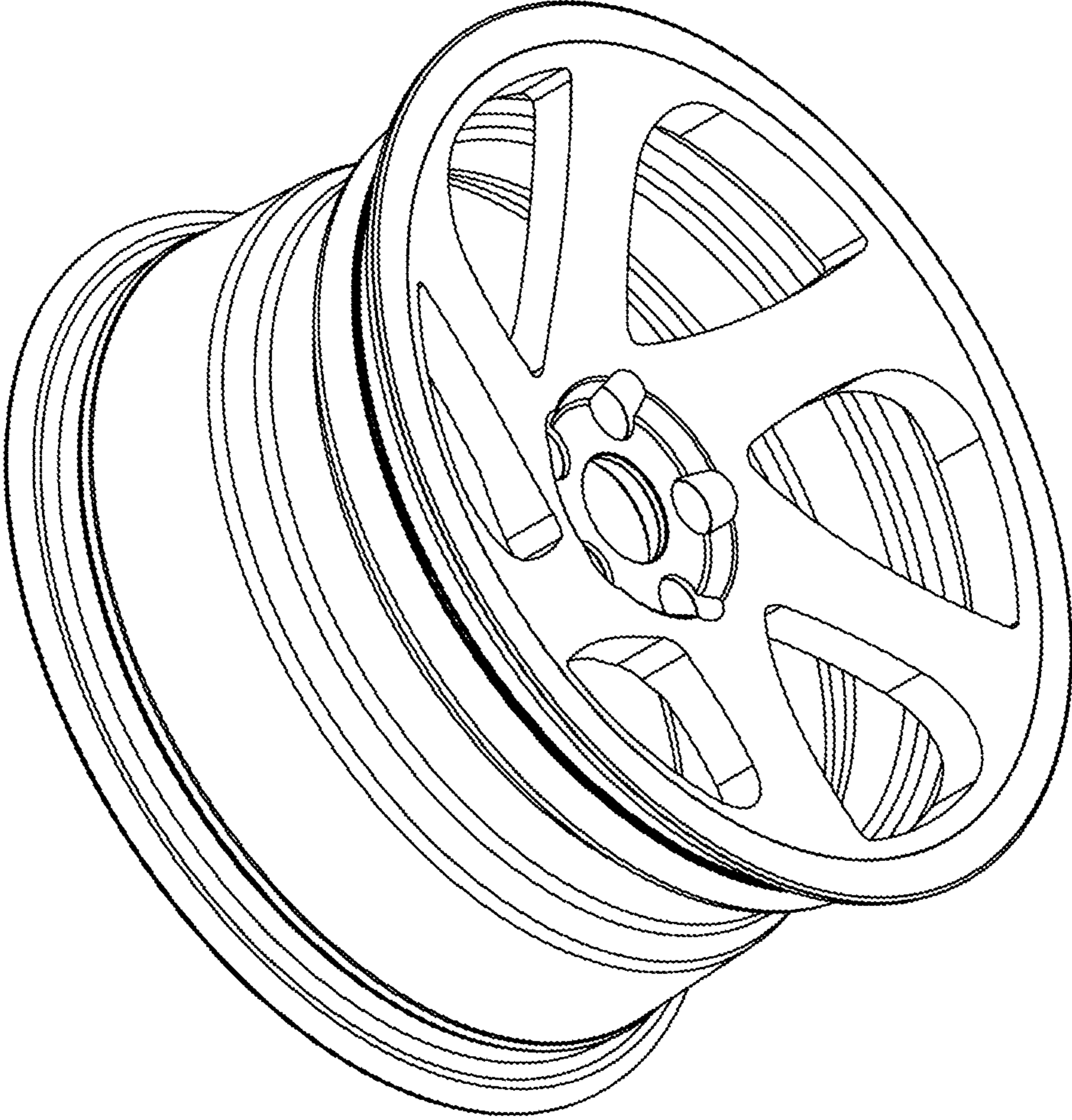


FIGURE 5

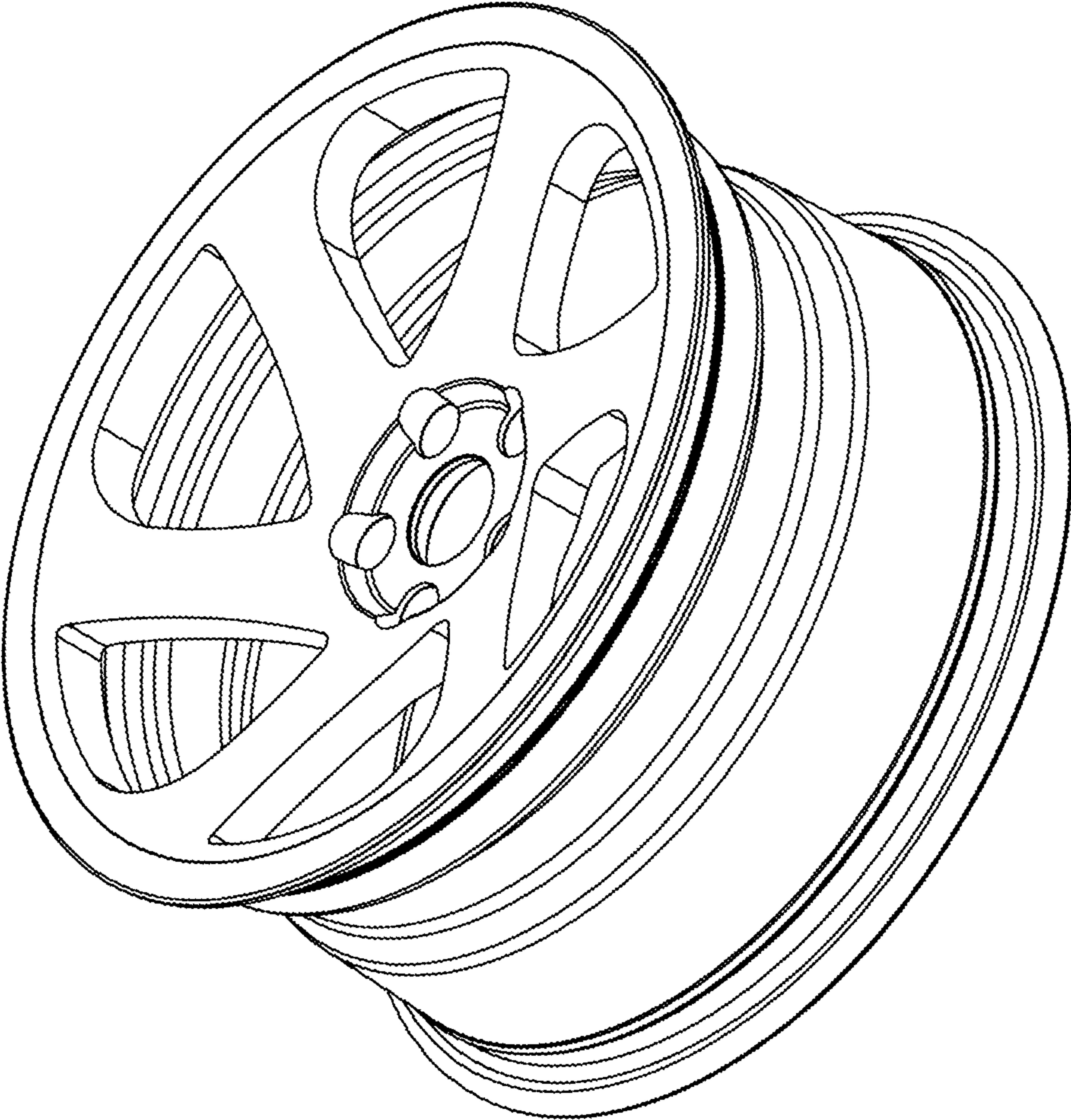


FIGURE 6

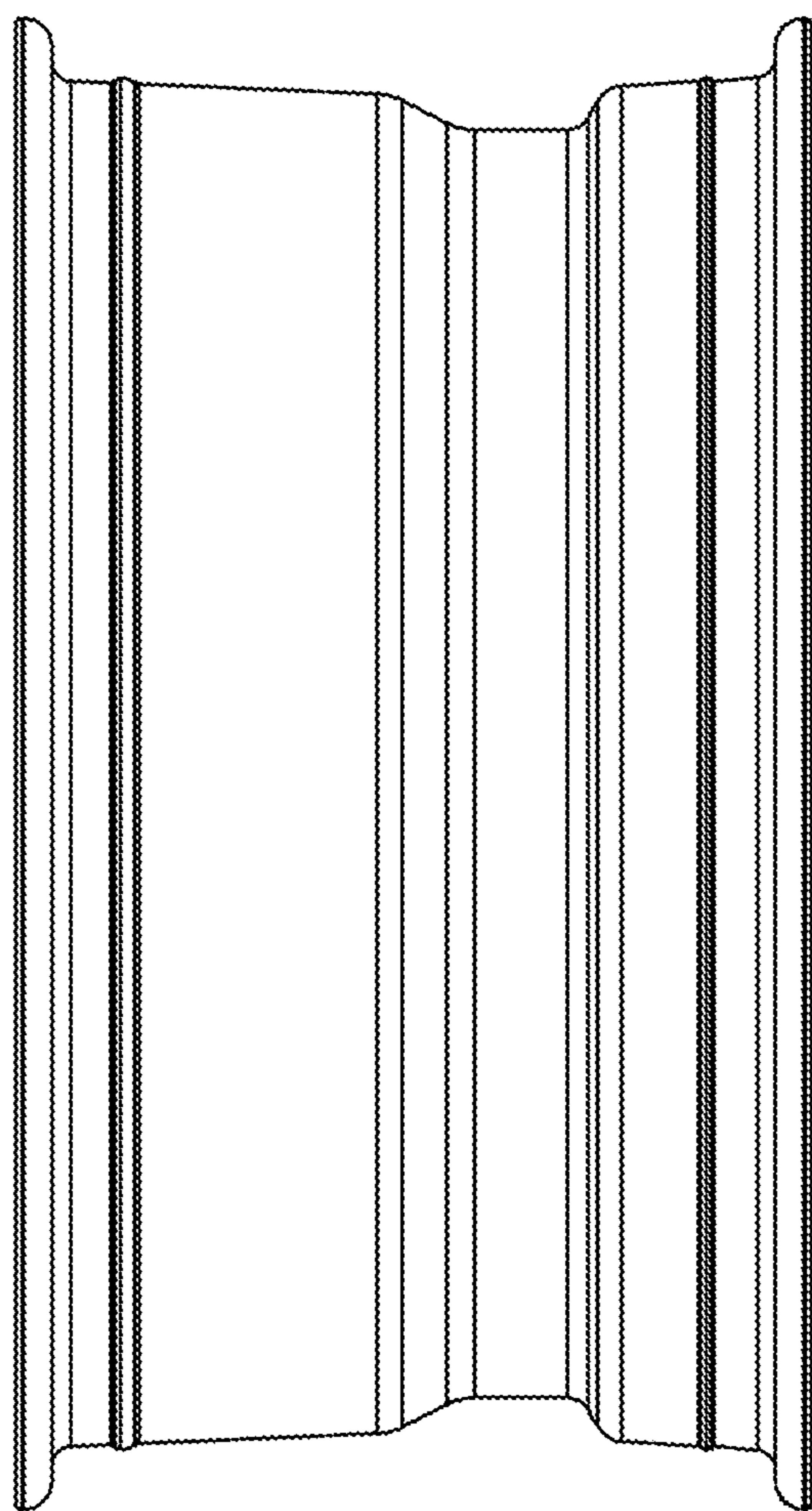


FIGURE 7