



US00D733021S

(12) **United States Design Patent**
Takagi

(10) **Patent No.:** **US D733,021 S**

(45) **Date of Patent:** **** Jun. 30, 2015**

(54) **INSTRUMENT PANEL FOR AUTOMOBILE**

D654,004 S * 2/2012 Hamajima et al. D12/192
D654,837 S * 2/2012 Riggs et al. D12/192
D656,074 S * 3/2012 Ohmori et al. D12/192

(71) Applicant: **Fuji Jukogyo Kabushiki Kaisha**, Tokyo (JP)

* cited by examiner

(72) Inventor: **Souta Takagi**, Tokyo (JP)

Primary Examiner — Katrina A Betton

(73) Assignee: **Fuji Jukogyo Kabushiki Kaisha**, Tokyo (JP)

(74) *Attorney, Agent, or Firm* — Schiff Hardin LLP

(**) Term: **14 Years**

(57) **CLAIM**

I claim the ornamental design for an instrument panel for automobile thereof, as shown and described.

(21) Appl. No.: **29/494,850**

DESCRIPTION

(22) Filed: **Jun. 25, 2014**

The patent or application file contains at least one drawing executed in color. Copies of this patent or patent application publication with color drawing(s) will be provided by the Office upon request and payment of the necessary fee.

(30) **Foreign Application Priority Data**

Dec. 25, 2013 (JP) 2013-030319

FIG. 1 is a front perspective view for an “instrument panel for automobile” showing my new design,

(51) **LOC (10) Cl.** **12-16**

FIG. 2 is a front view thereof,

(52) **U.S. Cl.**

USPC **D12/192**

FIG. 3 is a rear view thereof,

(58) **Field of Classification Search**

USPC D12/192, 415, 110, 114; 180/90;
280/750–752; 296/190.01–190.09,
296/191, 70; D15/17, 28; D10/46, 98,
D10/102–103, 122–127

FIG. 4 is a left-side view thereof,

FIG. 5 is a right-side view thereof,

FIG. 6 is a top view thereof,

FIG. 7 is a bottom view thereof,

FIG. 8 is an enlarged partial fragmentary end cross-sectional view restricted 8 sectional areas of FIG. 2 and FIG. 4 thereof; and,

See application file for complete search history.

FIG. 9 is a reference view showing the state with the light on a central area in the representation of FIG. 1 thereof.

(56) **References Cited**

U.S. PATENT DOCUMENTS

D652,773 S * 1/2012 Kitajima et al. D12/192
D653,185 S * 1/2012 Senda et al. D12/192

1 Claim, 9 Drawing Sheets
(1 of 9 Drawing Sheet(s) Filed in Color)

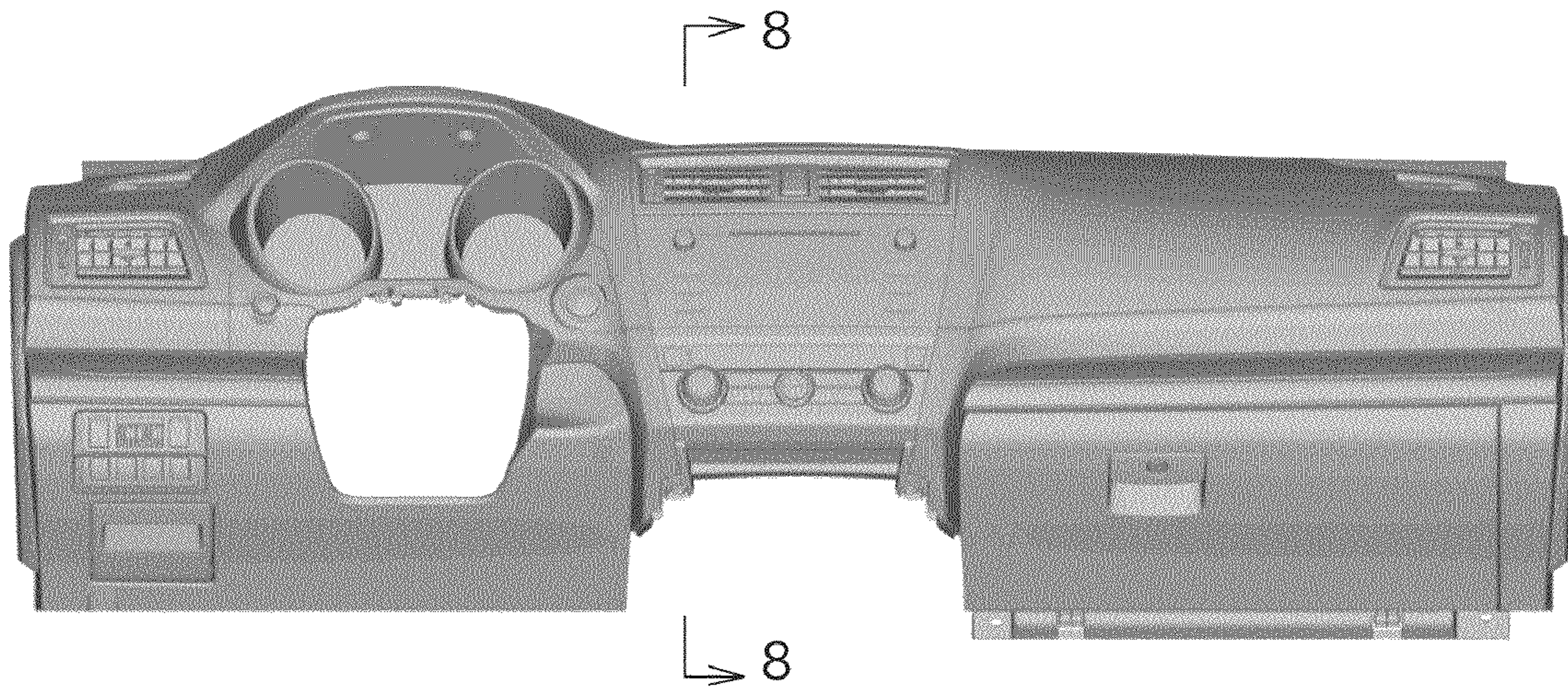


Fig. 1

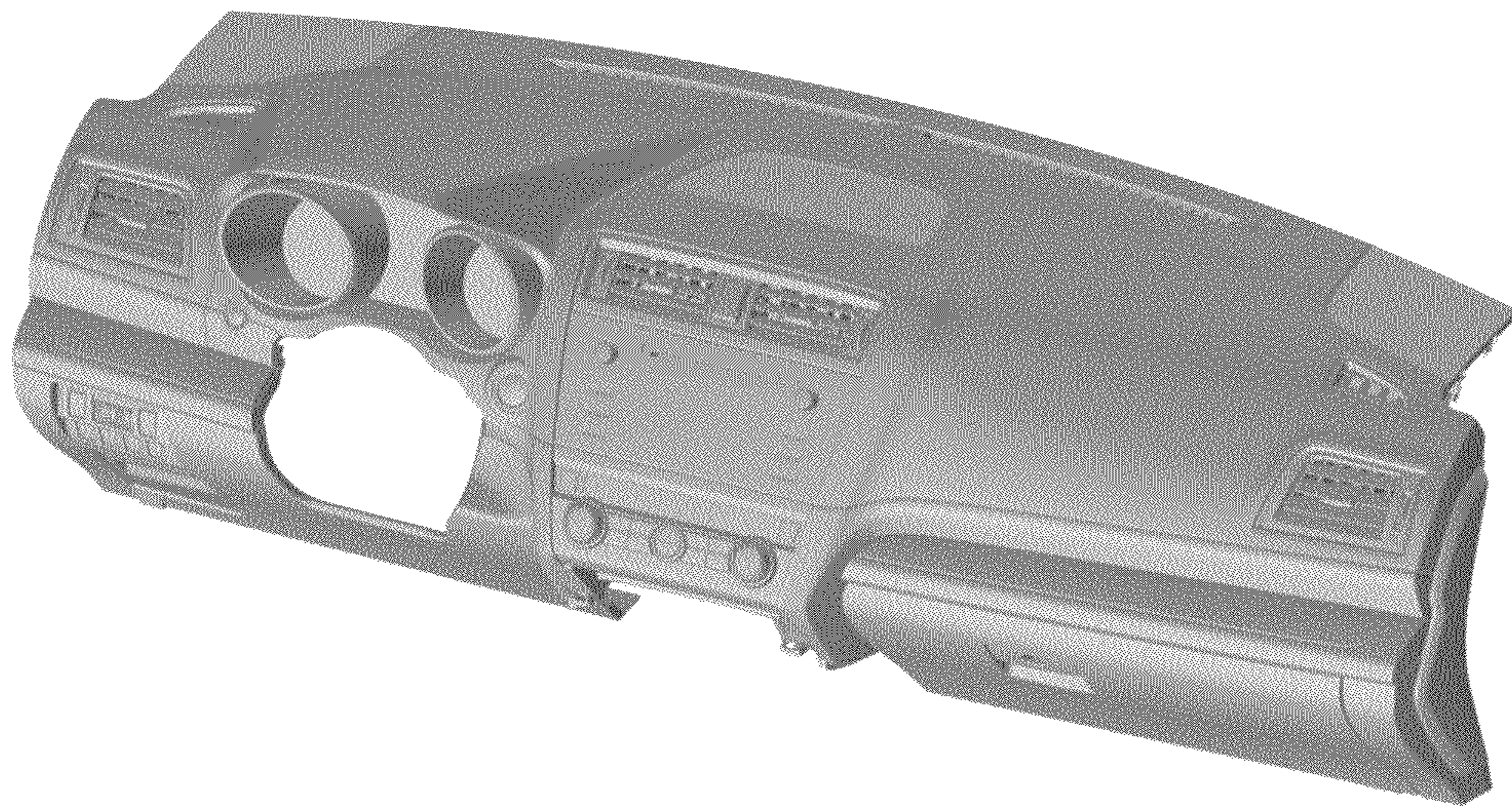


Fig. 2

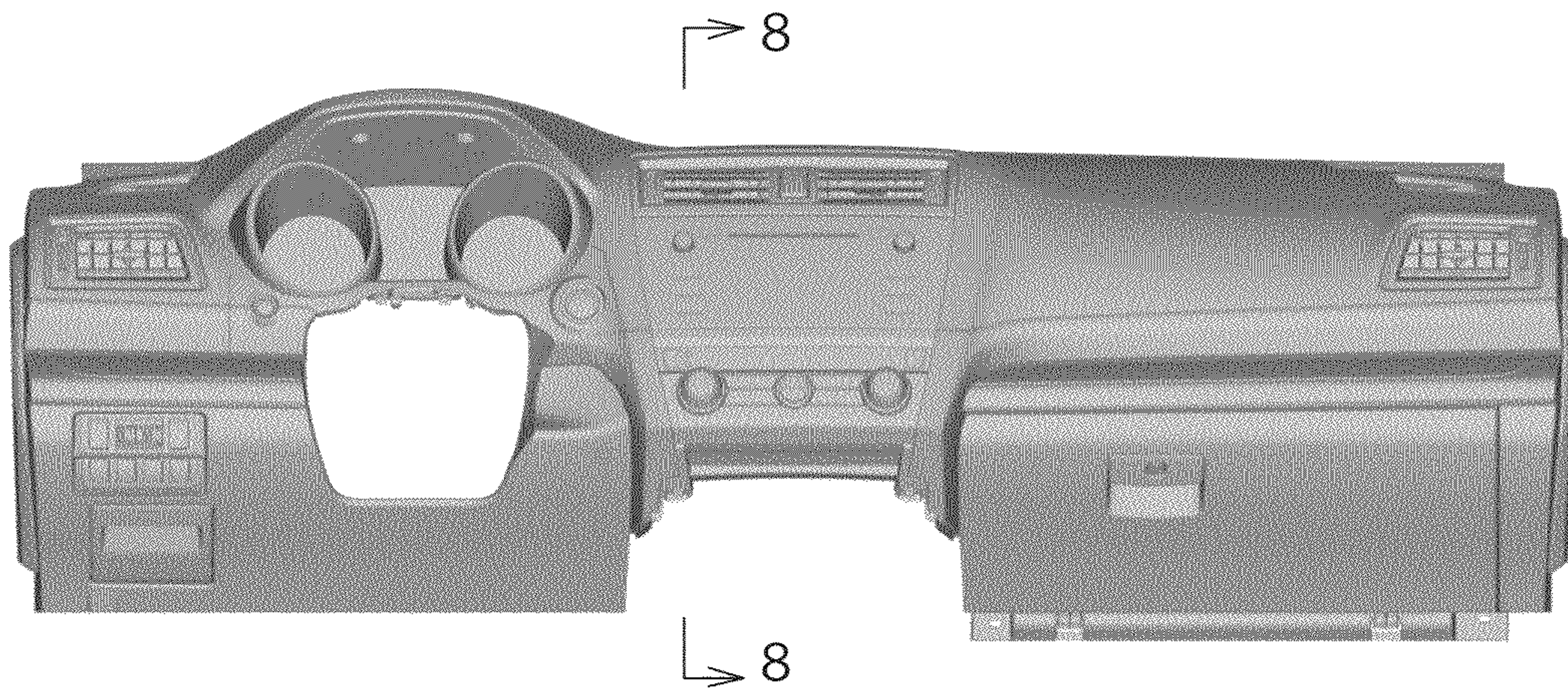


Fig. 3

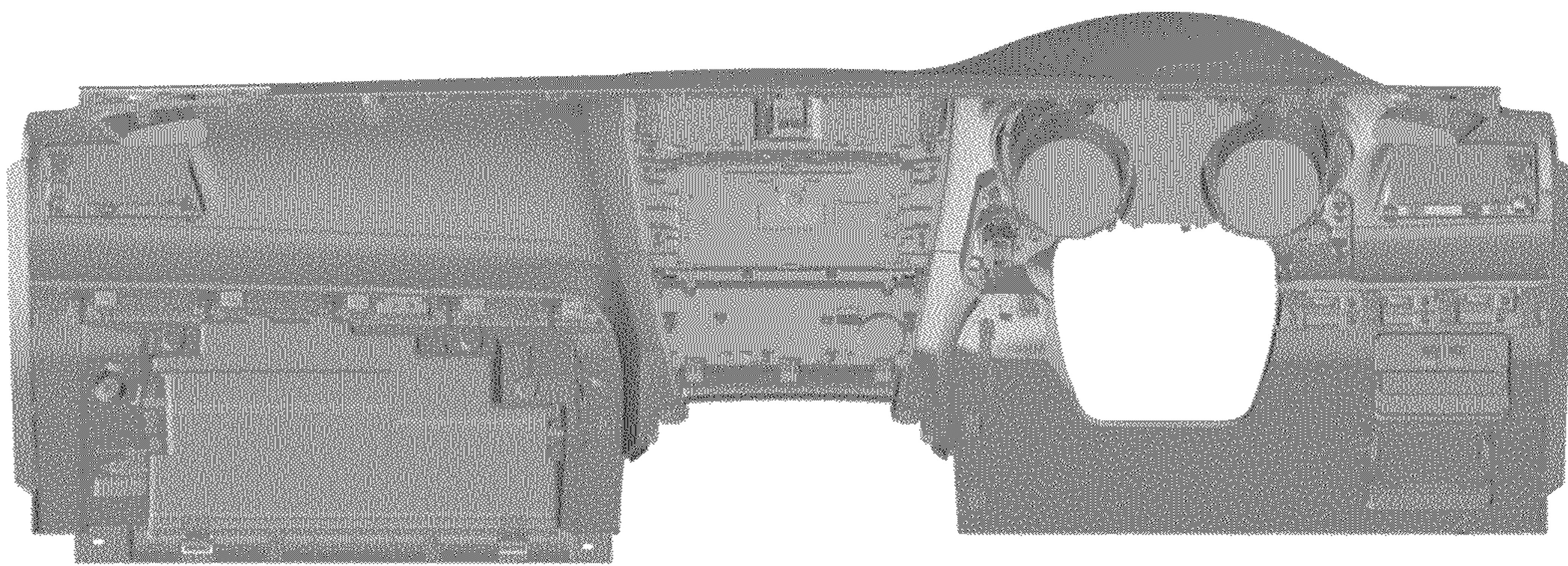


Fig. 4

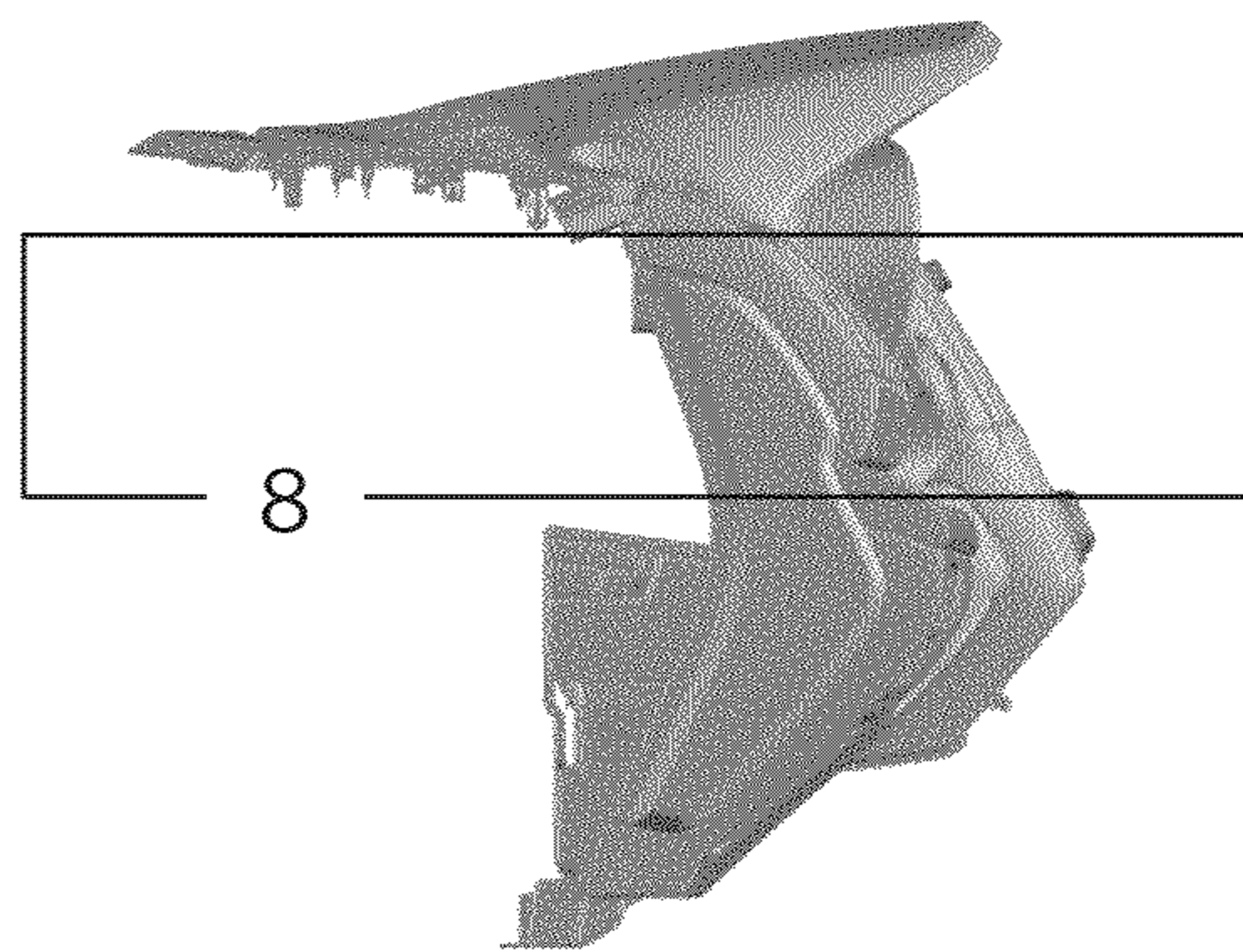


Fig. 5

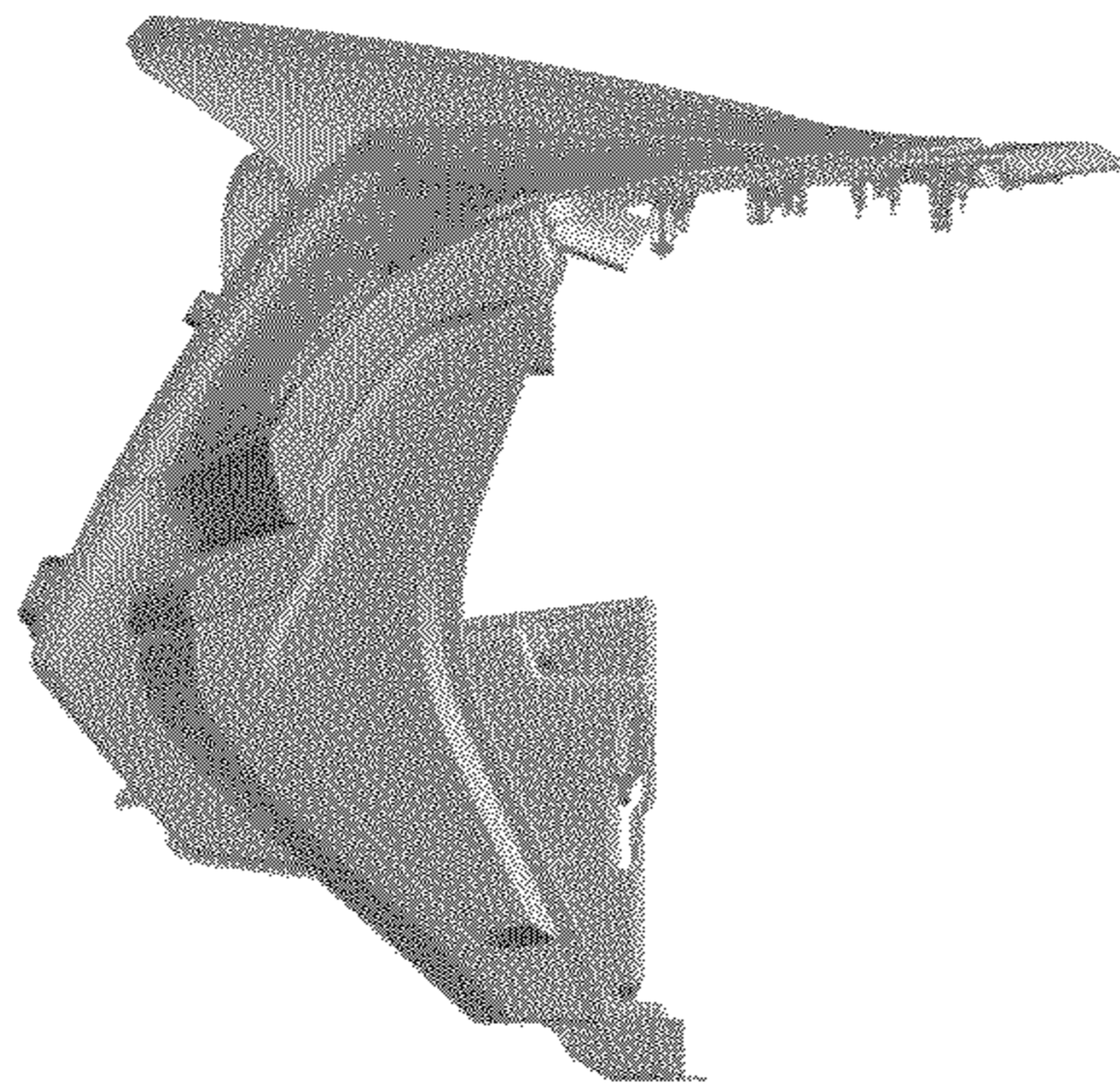


Fig. 6



Fig. 7

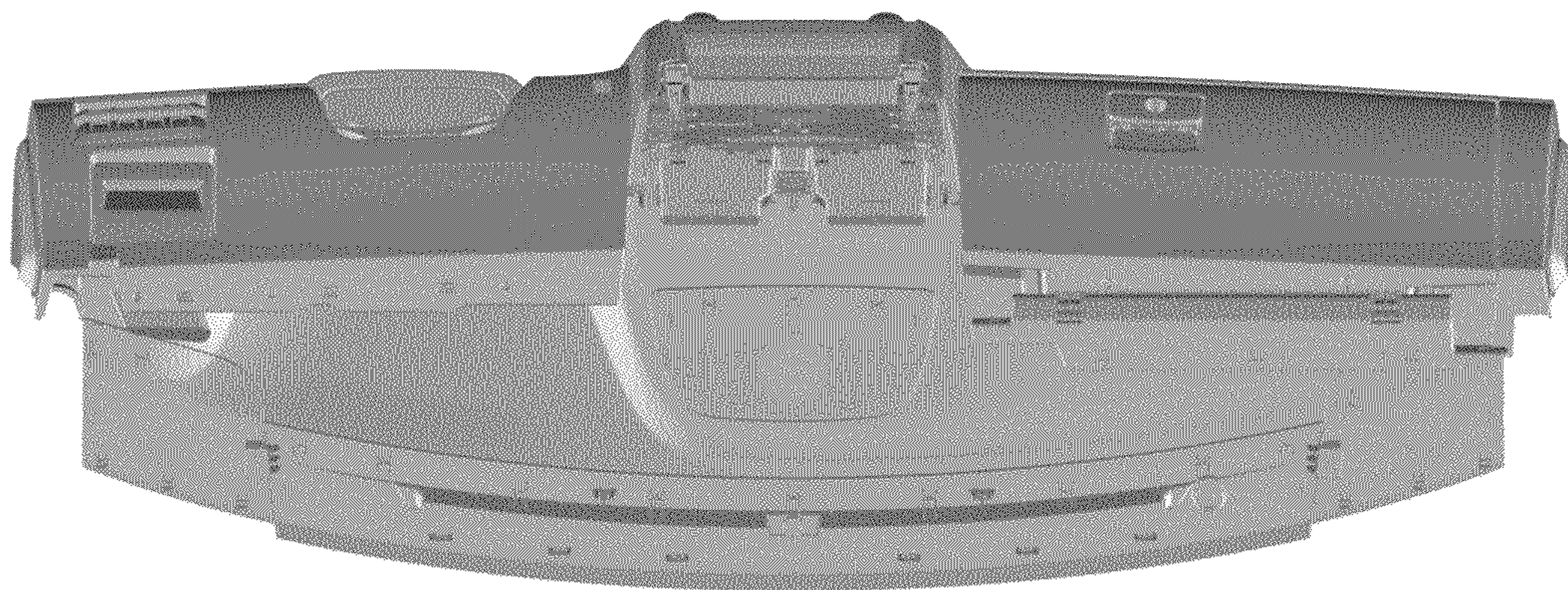


Fig. 8

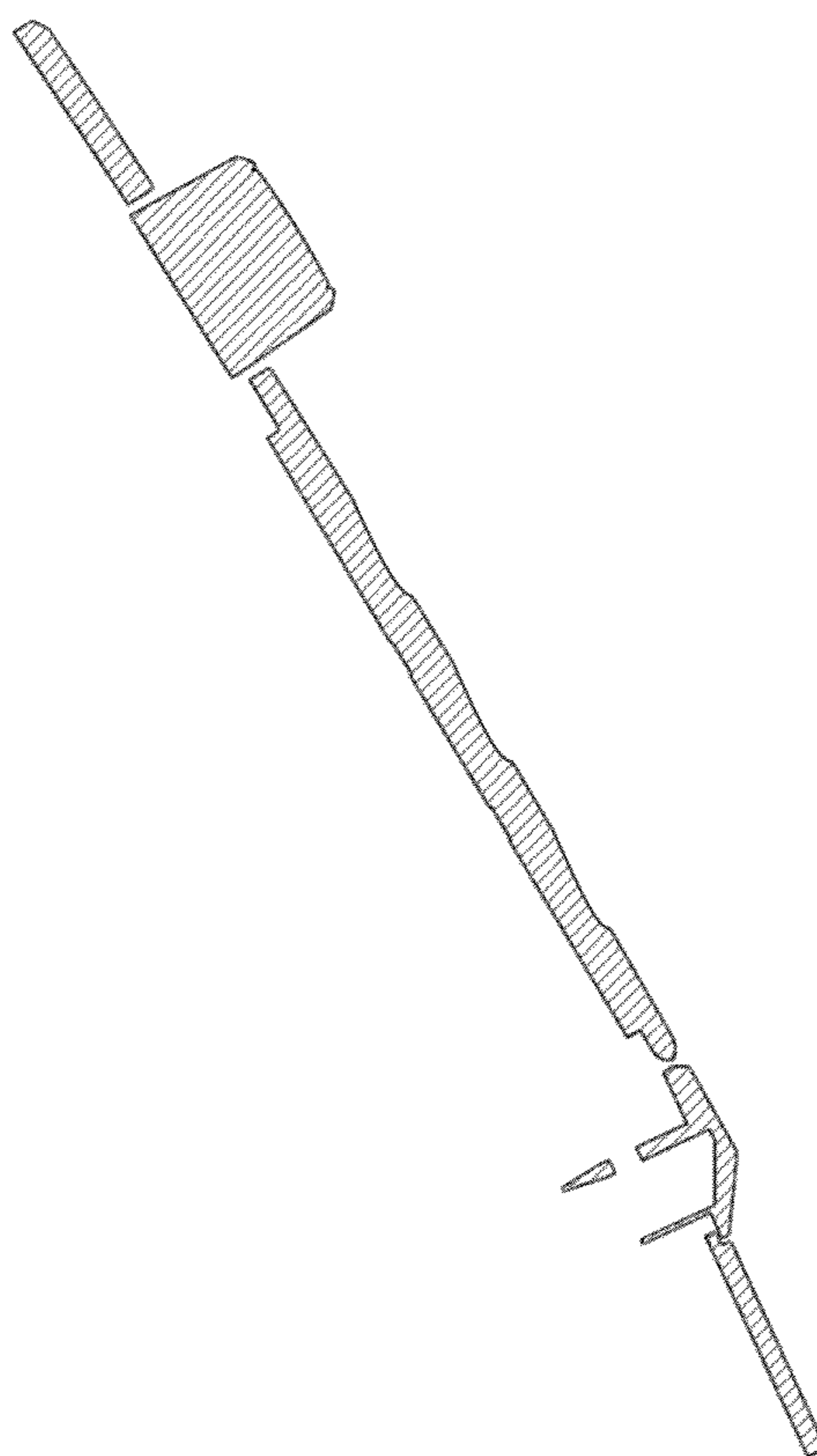


Fig. 9

