



US00D733018S

(12) **United States Design Patent**
McCabe et al.

(10) **Patent No.:** **US D733,018 S**
(45) **Date of Patent:** **** Jun. 30, 2015**

(54) **VEHICLE REAR FASCIA**
(75) Inventors: **Steven M. McCabe**, Harper Woods, MI (US); **Jeasoo Kim**, Troy, MI (US); **Samuel Zhao**, Sterling Heights, MI (US)
(73) Assignee: **GM Global Technology Operations LLC**, Detroit, MI (US)

D598,828 S * 8/2009 Lee D12/169
D605,096 S * 12/2009 Mueller D12/169
D623,566 S * 9/2010 Bauer et al. D12/169
D636,303 S * 4/2011 Frei et al. D12/169
D637,534 S * 5/2011 Miyazawa et al. D12/169
D637,945 S * 5/2011 Nakagawa D12/169
7,988,225 B2 * 8/2011 Goldsberry 296/193.09
D647,010 S * 10/2011 Karras et al. D12/169
D656,871 S * 4/2012 Fetherston et al. D12/169

(**) Term: **14 Years**

* cited by examiner

(21) Appl. No.: **29/413,266**

Primary Examiner — Philip S Hyder

(22) Filed: **Feb. 14, 2012**

Assistant Examiner — Darlington Ly

(51) **LOC (10) Cl.** **12-16**

(74) *Attorney, Agent, or Firm* — Parks Wood LLC; Mickki D. Murray, Esq.

(52) **U.S. Cl.**
USPC **D12/169**

(57) **CLAIM**

The ornamental design for a vehicle rear fascia, as shown and described.

(58) **Field of Classification Search**
USPC D12/86, 90, 91, 92, 163, 169, 171, 196, D12/216; 293/102, 113, 115, 117, 120; 296/180.1, 180.2

DESCRIPTION

See application file for complete search history.

FIG. 1 is perspective view of a vehicle rear fascia showing our new design;

FIG. 2 is a front view, thereof;

FIG. 3 is a side view, thereof; and,

FIG. 4 is a top plan view, thereof.

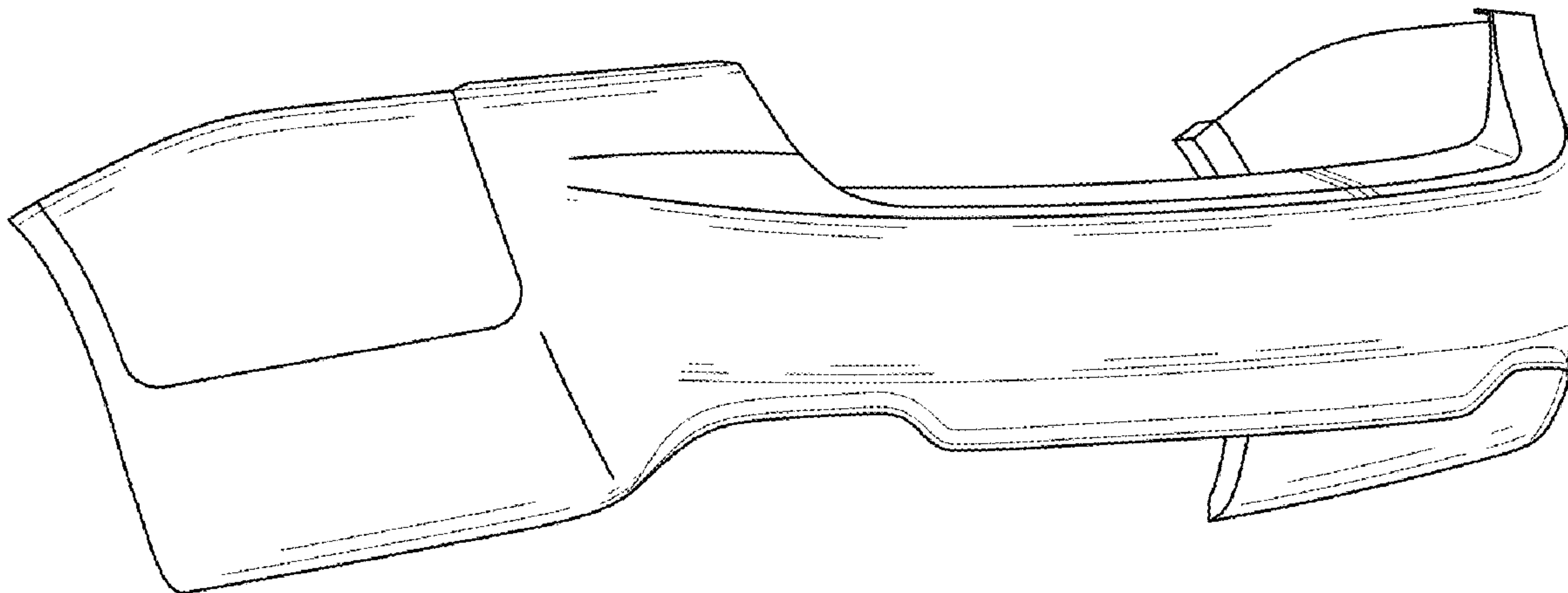
The broken lines shown in the drawings illustrate portions of the vehicle rear fascia that form no part of claimed design.

(56) **References Cited**

U.S. PATENT DOCUMENTS

7,434,872 B2 * 10/2008 Steller 296/193.09
D586,705 S * 2/2009 Bauer et al. D12/169
D598,338 S * 8/2009 Mattin et al. D12/169

1 Claim, 1 Drawing Sheet



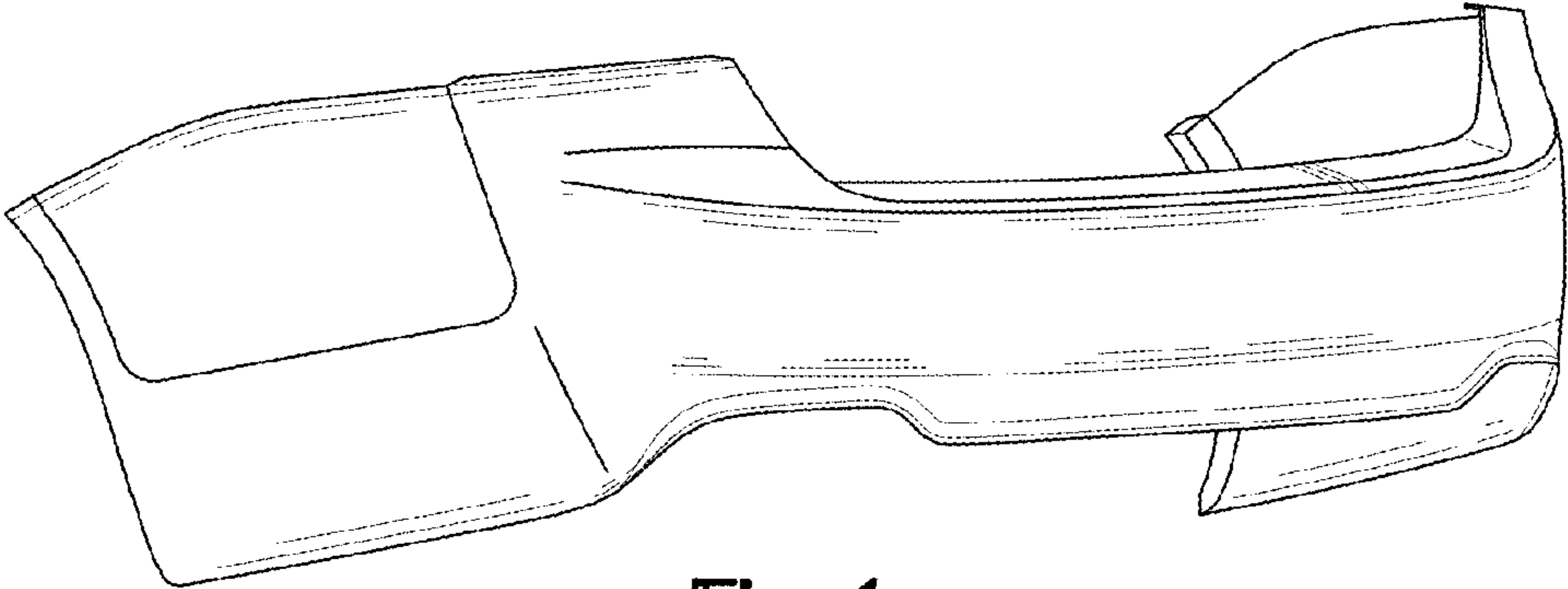


Fig-1

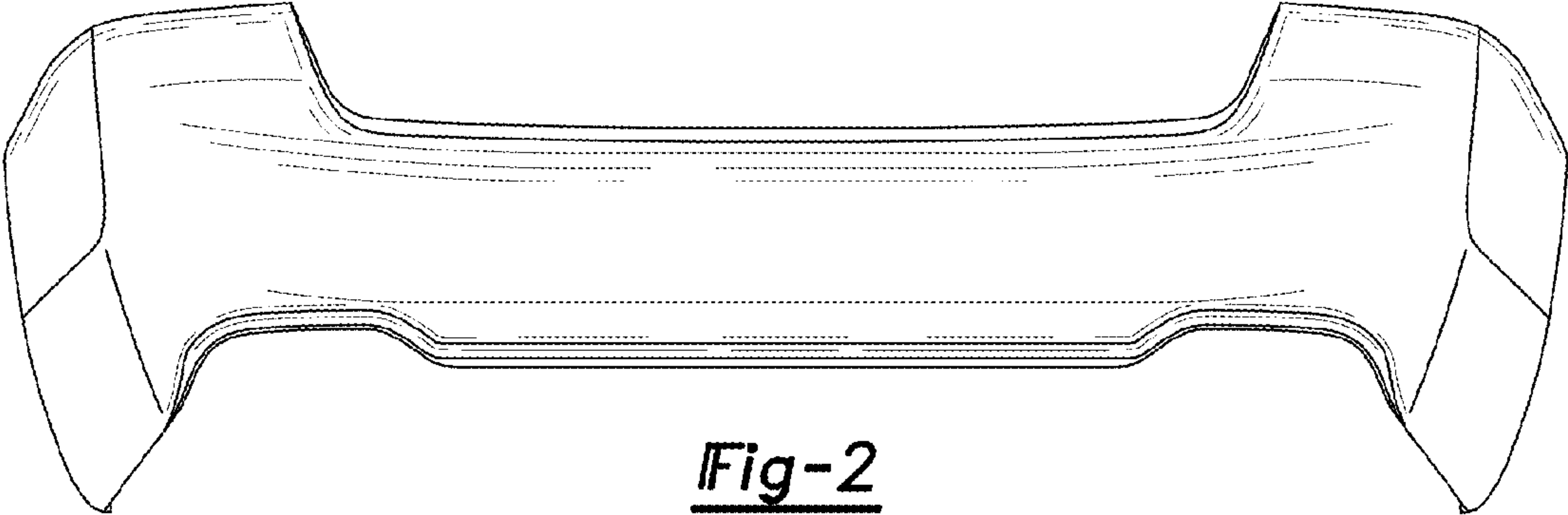


Fig-2

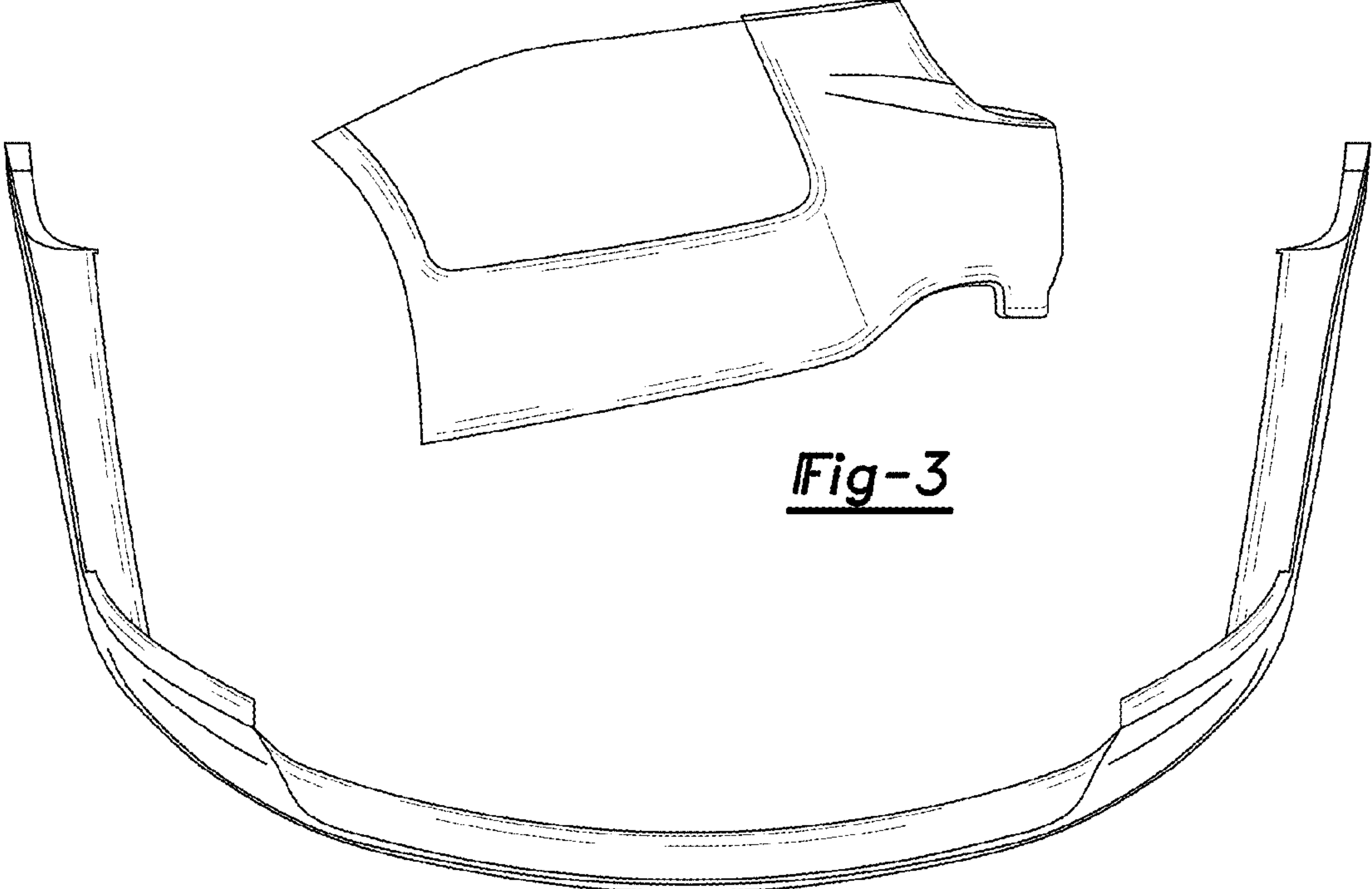


Fig-3

Fig-4